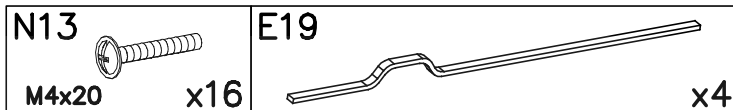
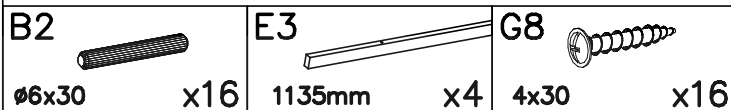
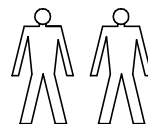
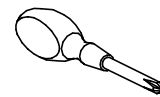
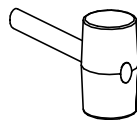
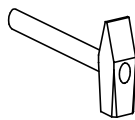
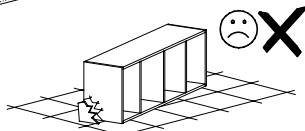
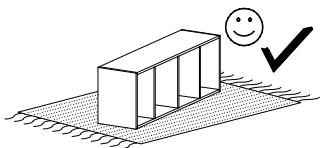
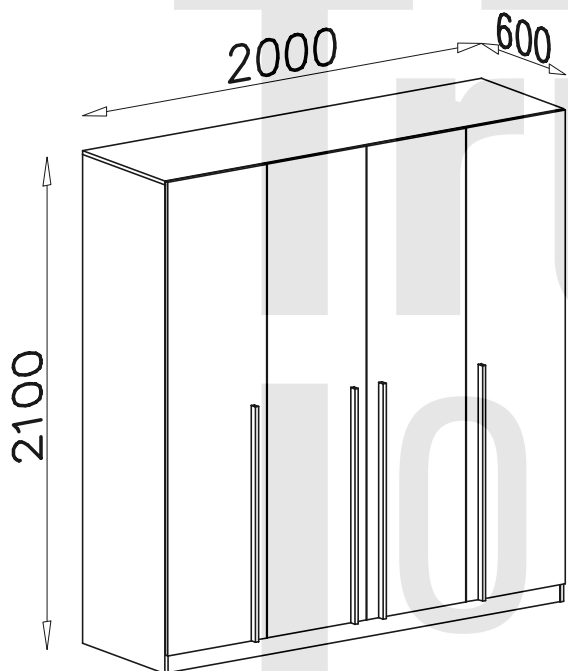


BRAGA BR 1



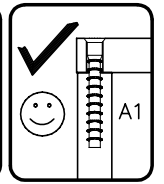
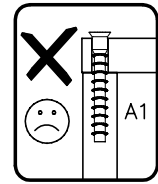
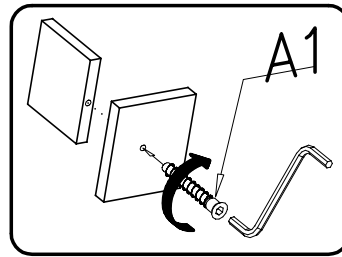
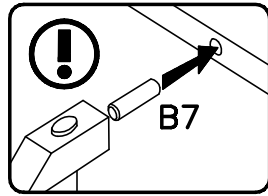
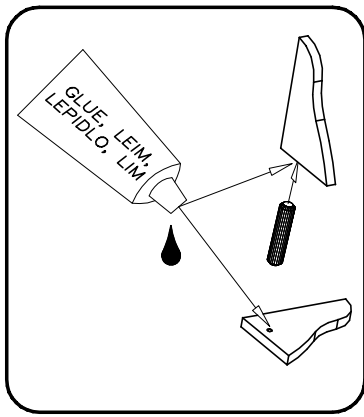
(A)



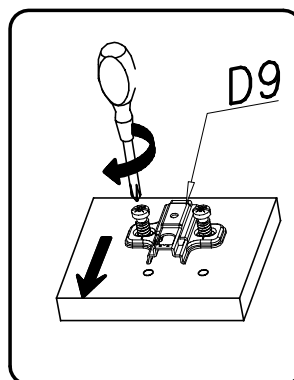
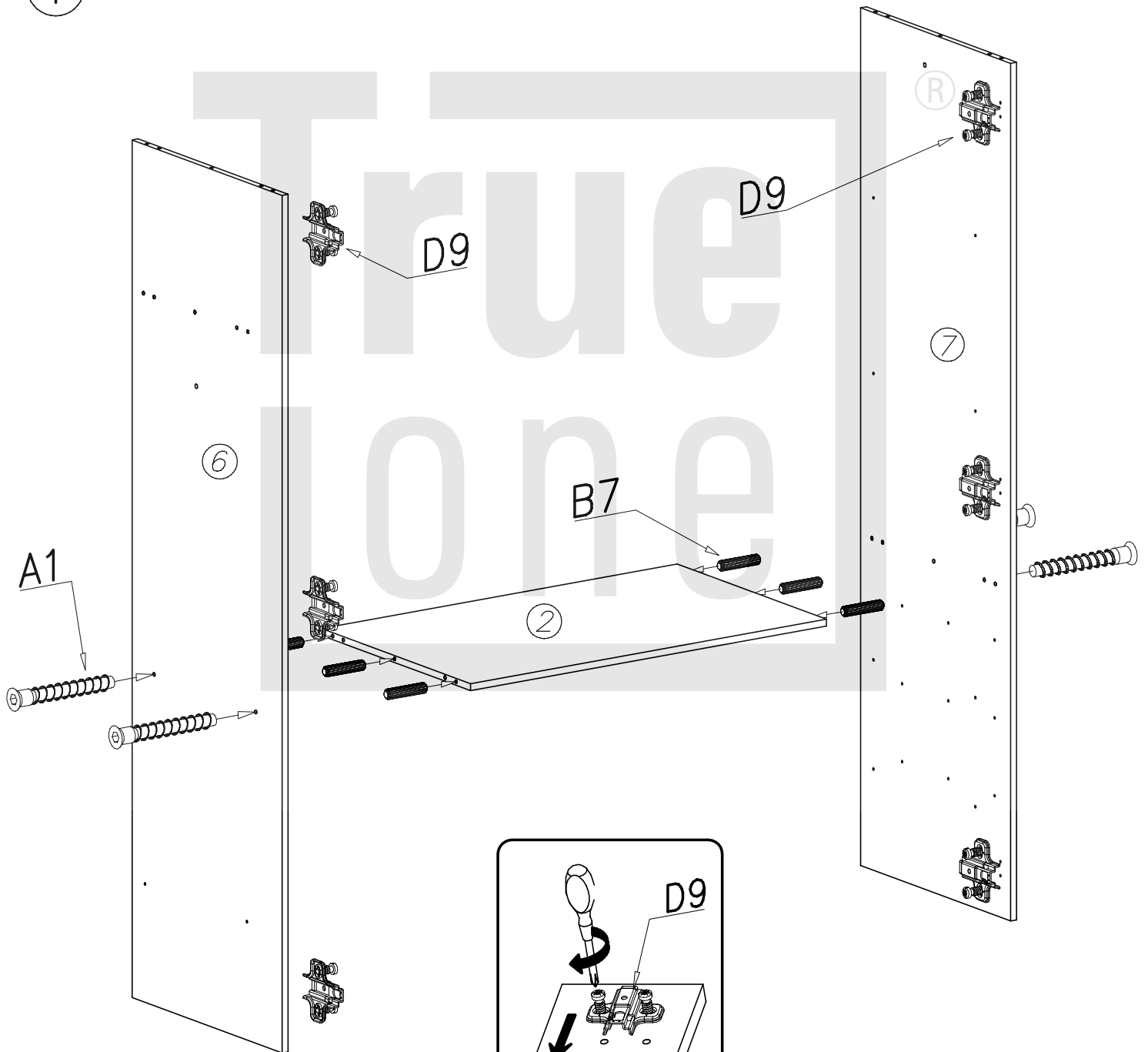
(B)



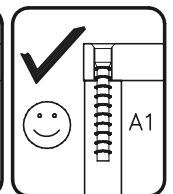
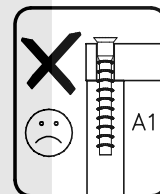
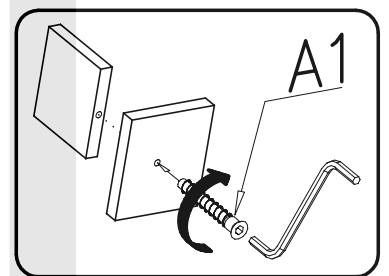
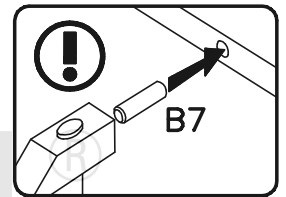
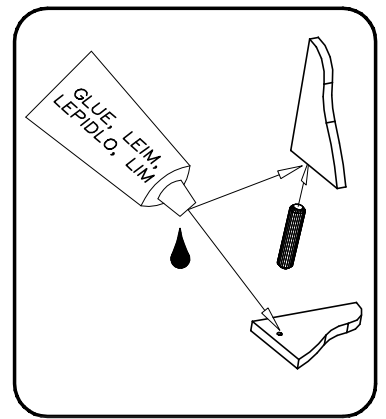
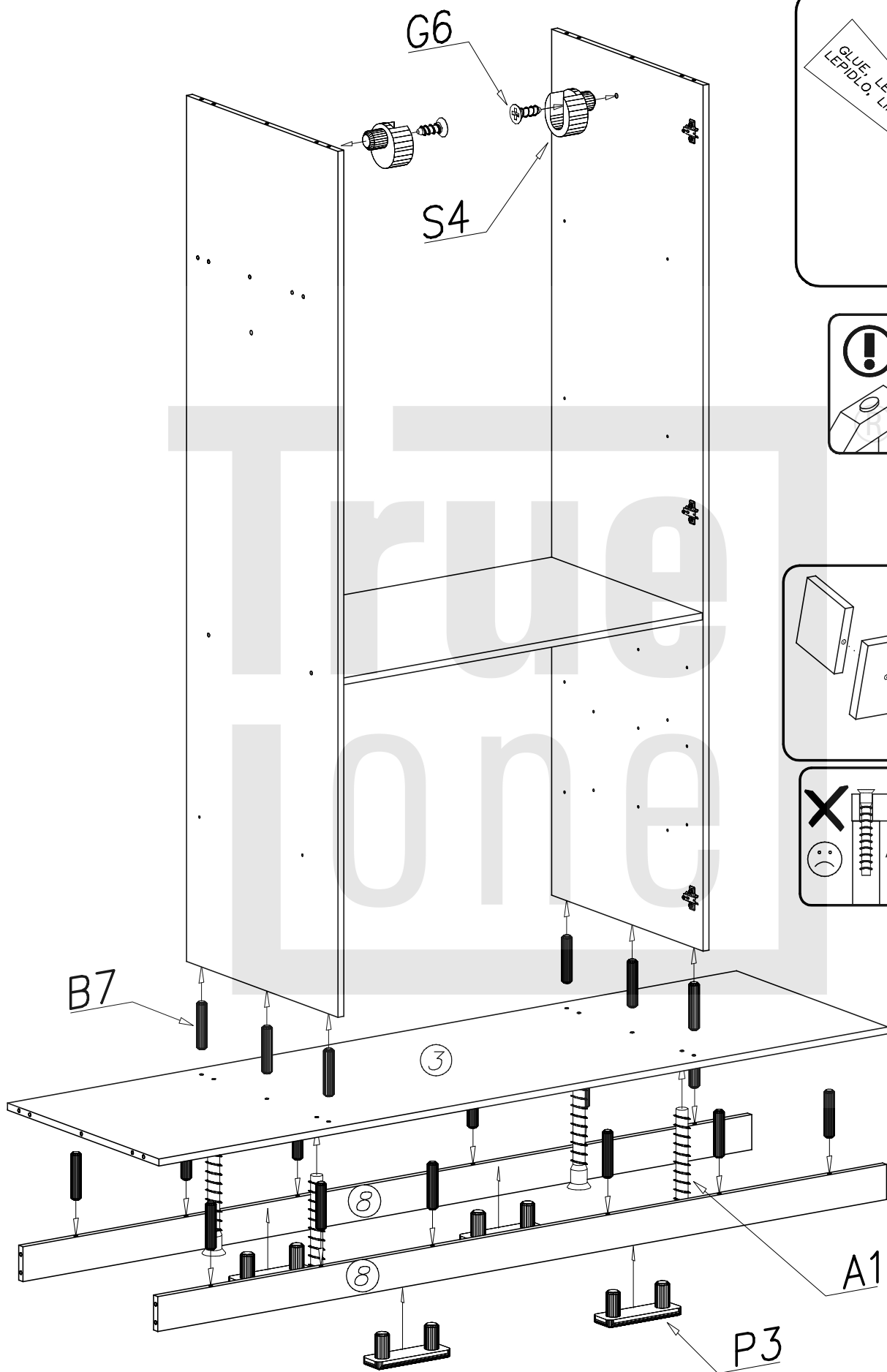
K5 x12	K1 Ø15x12 x12	S2 x26	S1 1150mm x1	S3 812mm x1
S6 960mm x1	D9 PZ165 x6	C9 Z165 x6	I7 Ø18 x12	P3 x8
S5 474mm x2	G4 4x16 x24	G2 3x20 x100	F1 x16	G6 3x13 x6
A1 Ø7x50 x16	B7 Ø8x30 x62	W1 GLUE, LEIM, LEPIDLO, LIM x3	C3 Z35PR x6	S4 x6
				D3 PZ35PR x6

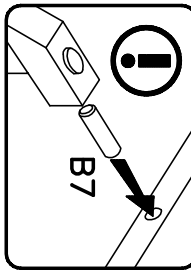
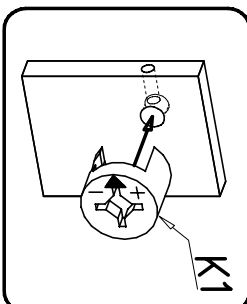
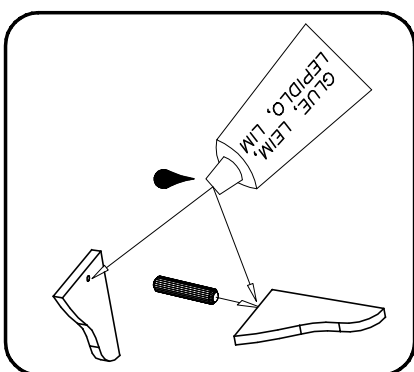
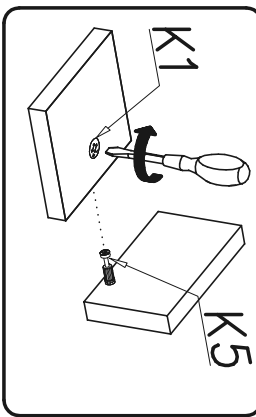
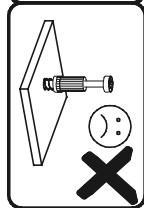
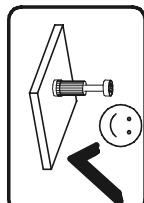
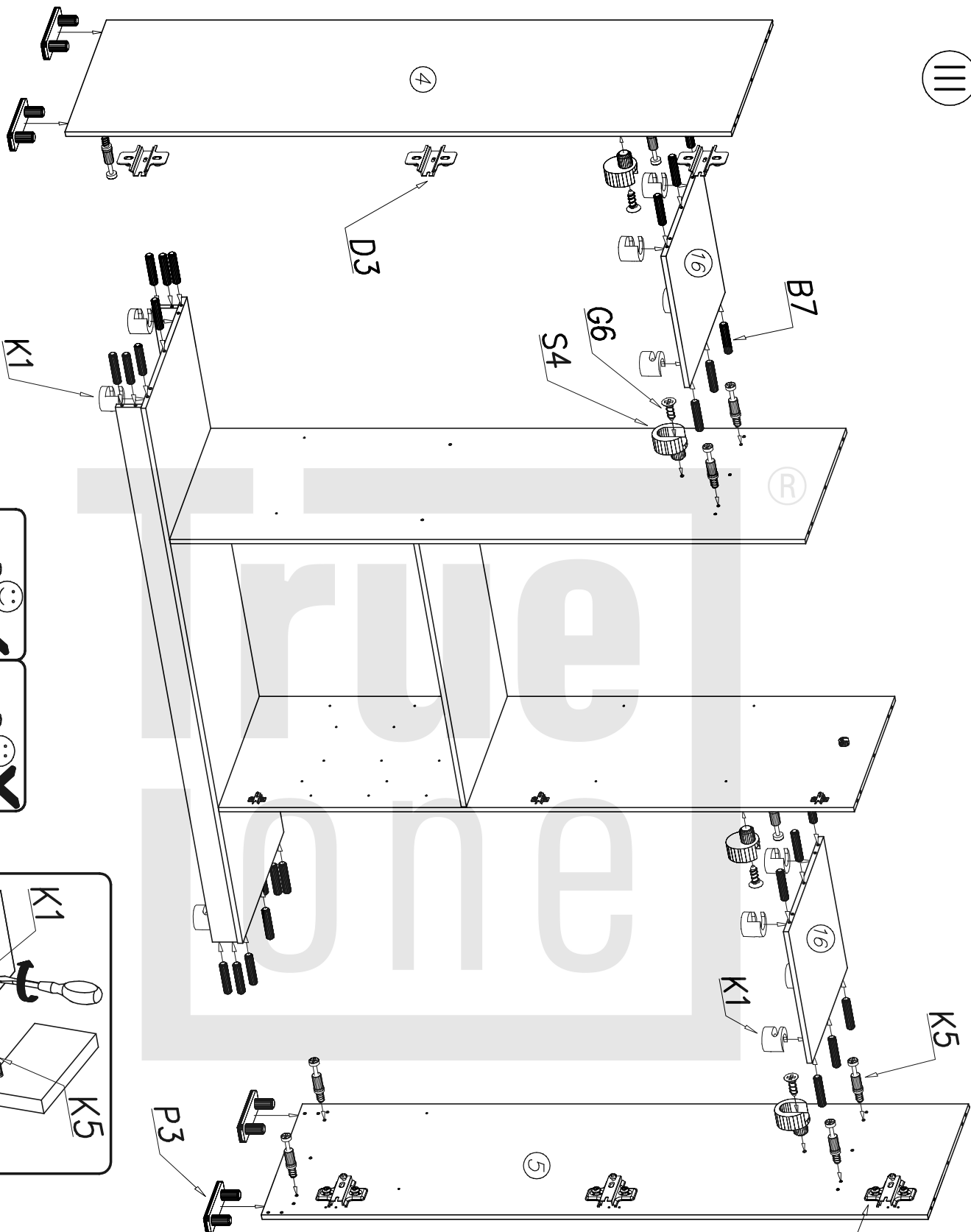


1

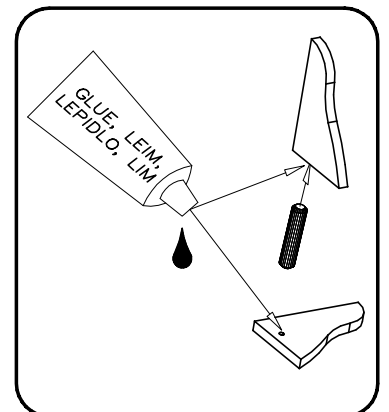
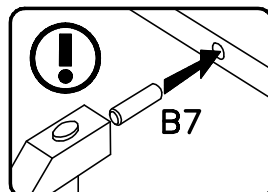
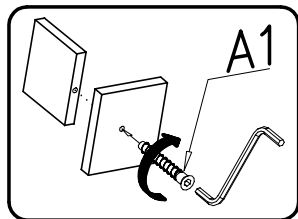
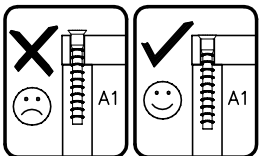
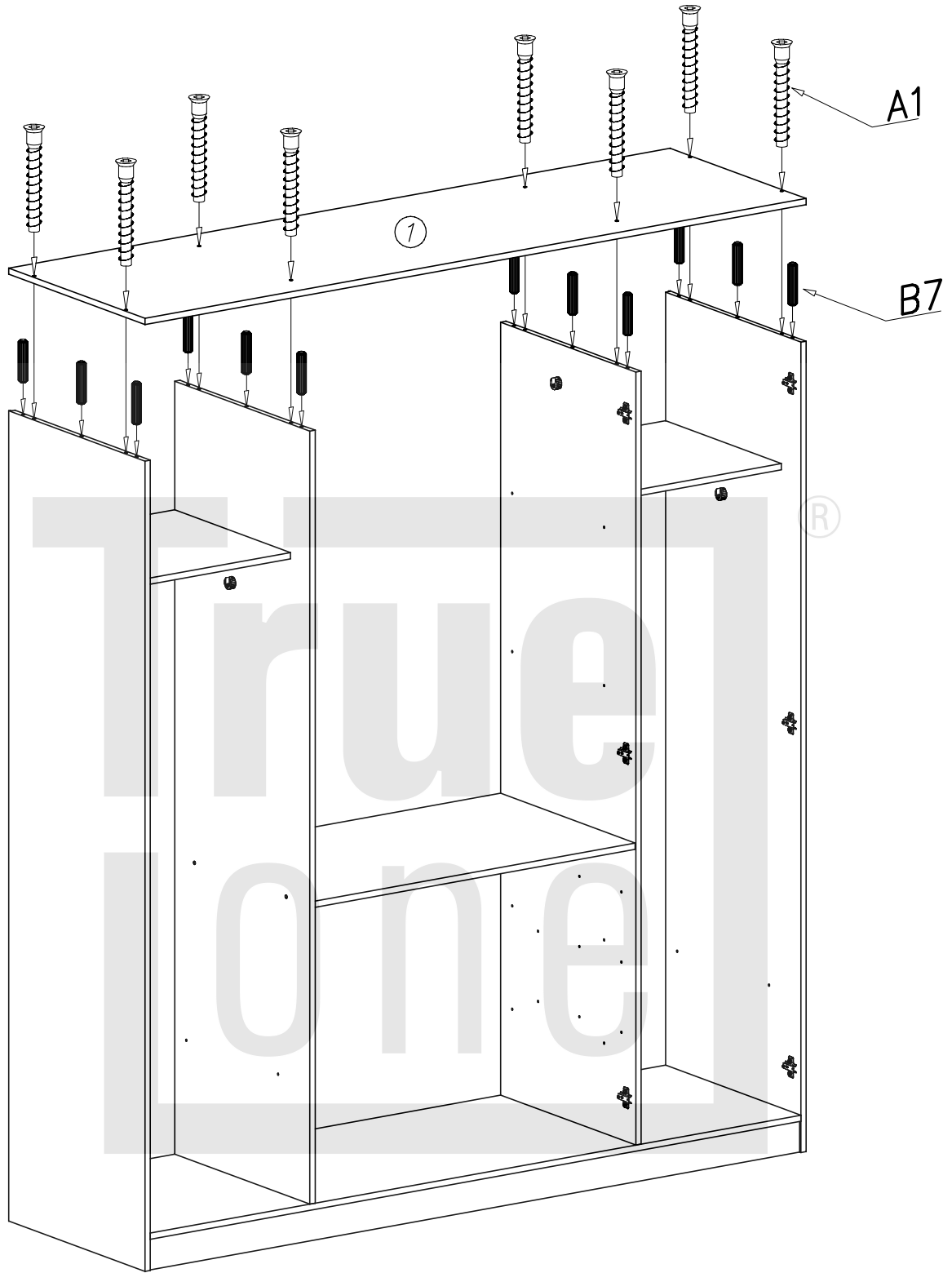


11

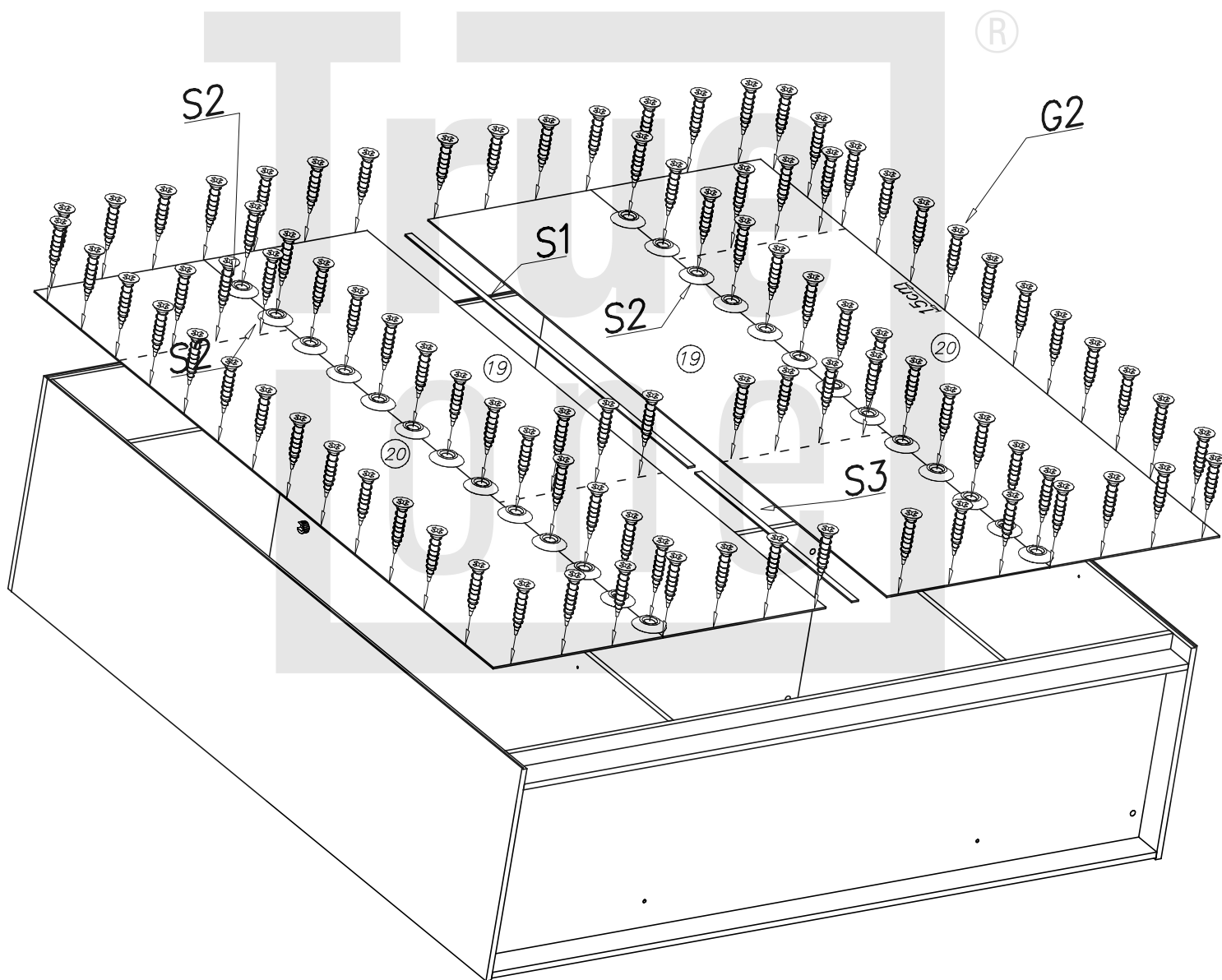
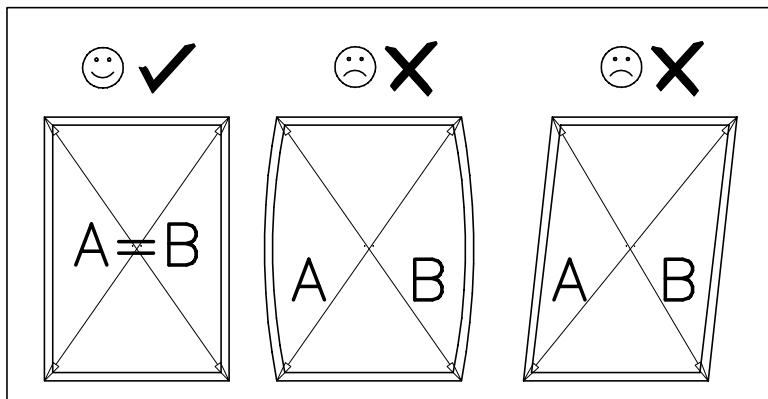




IV

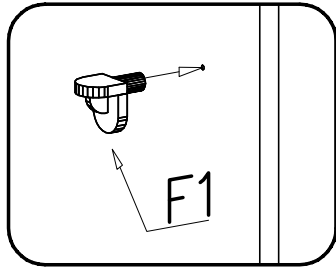


V

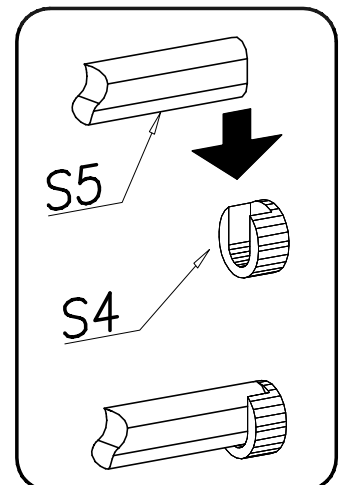
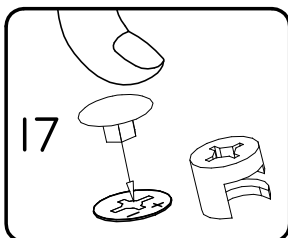
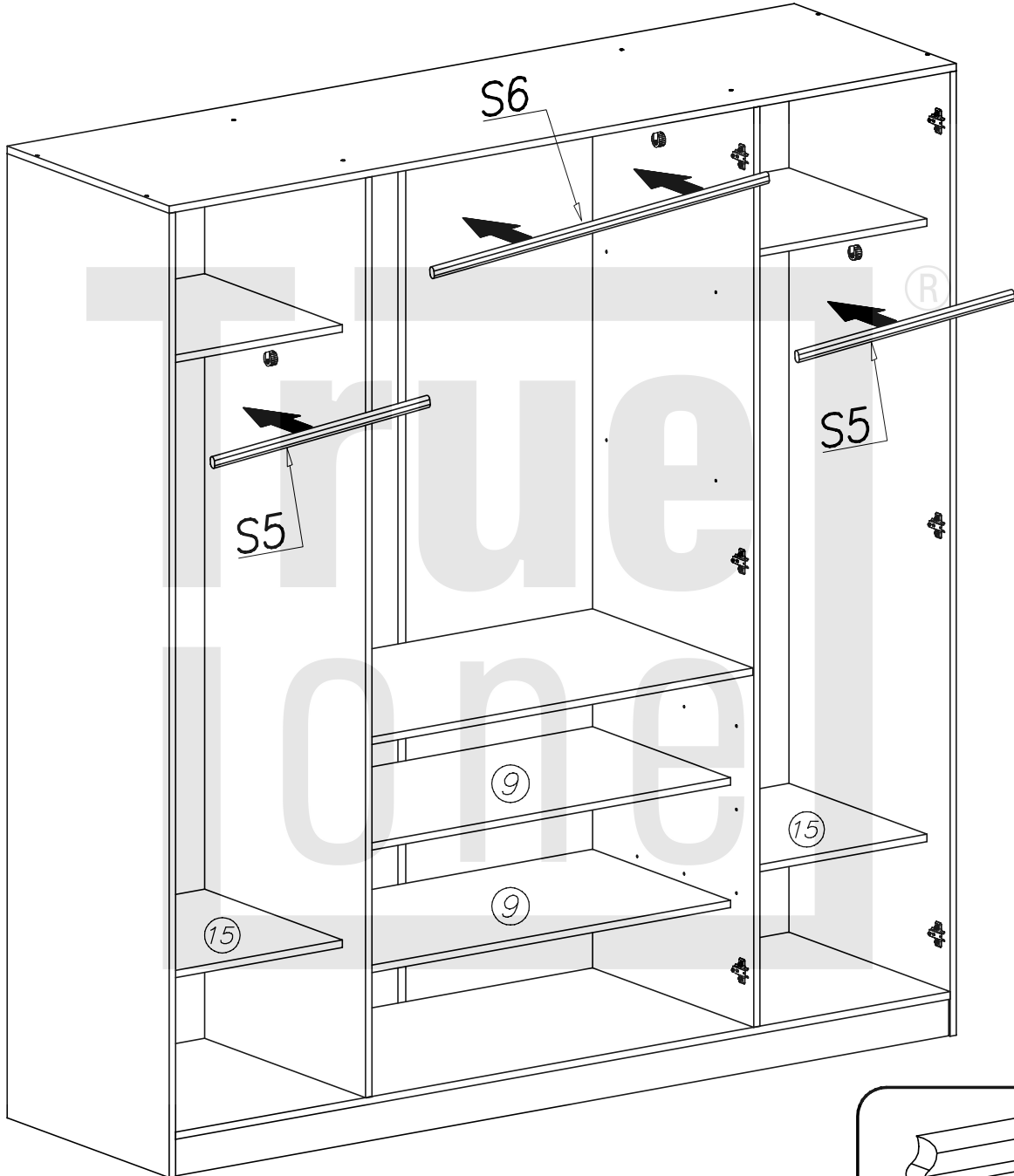
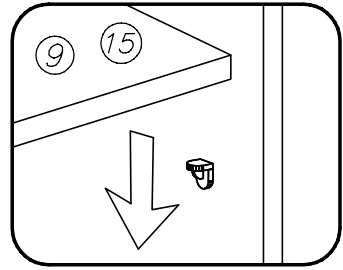


VI

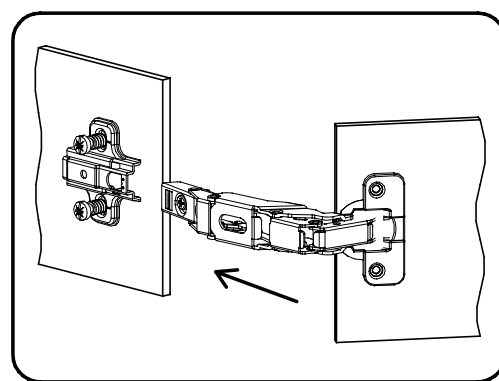
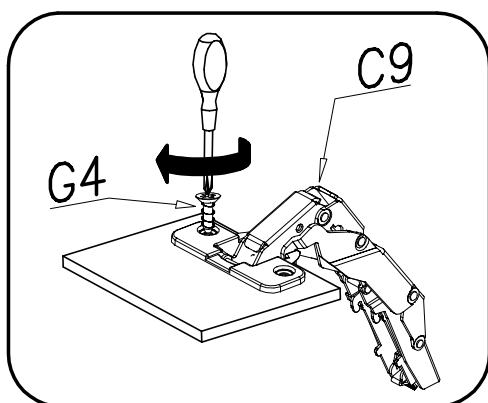
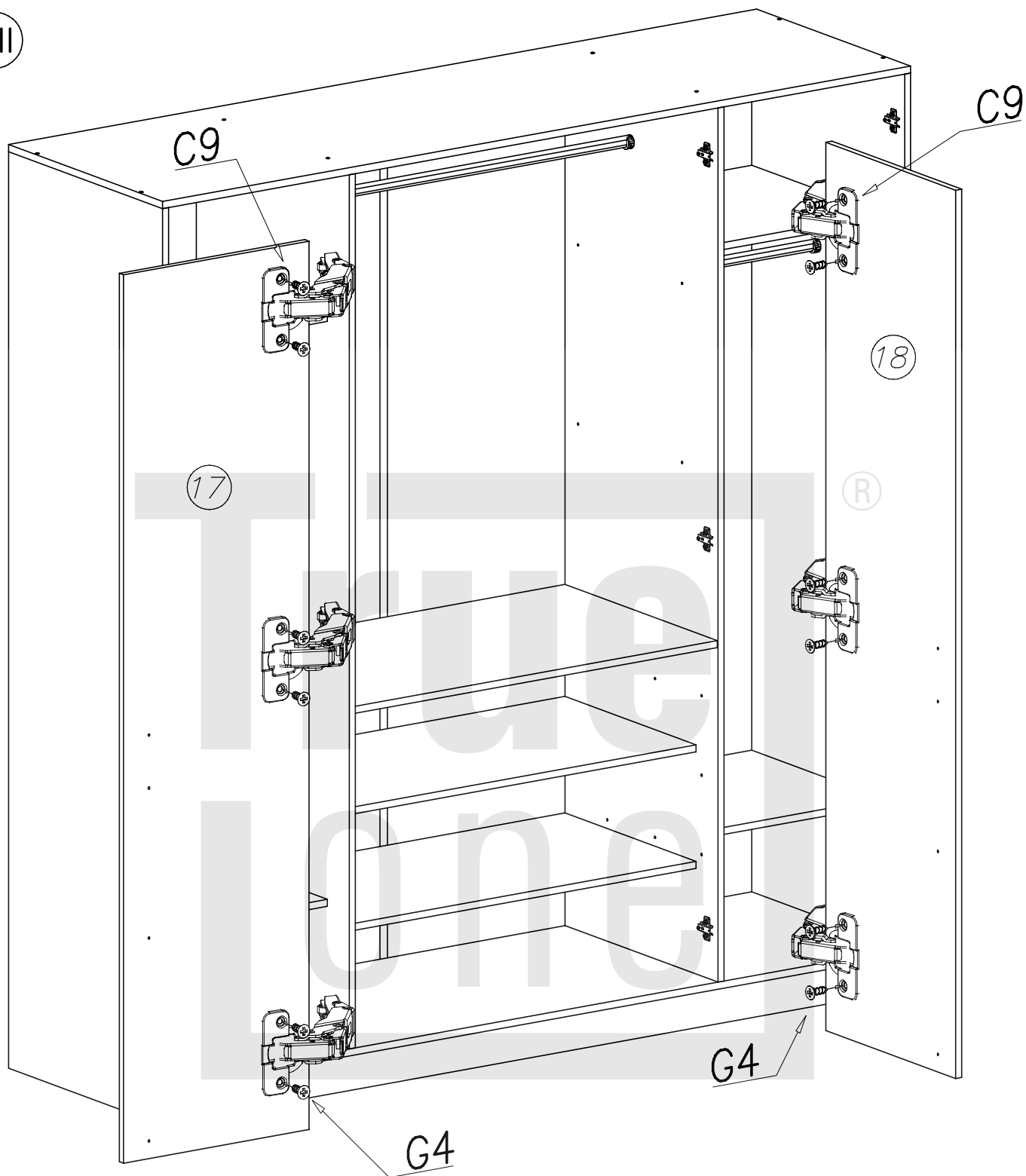
1



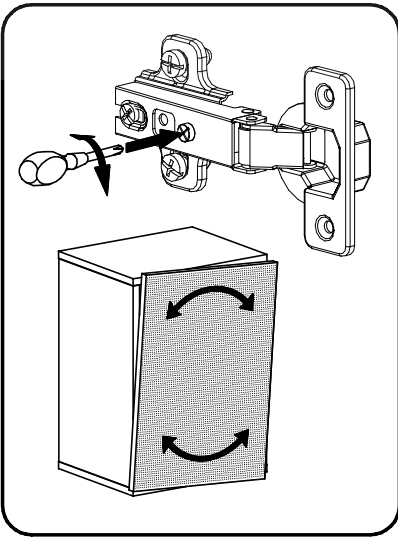
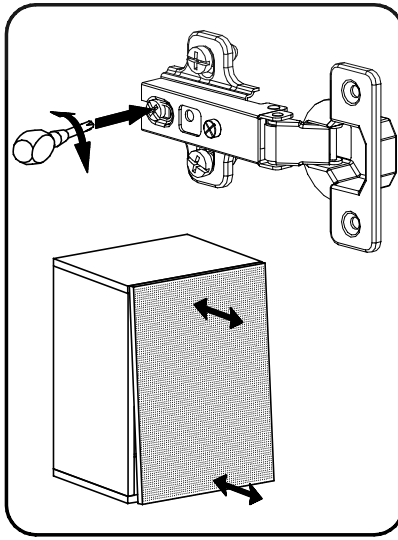
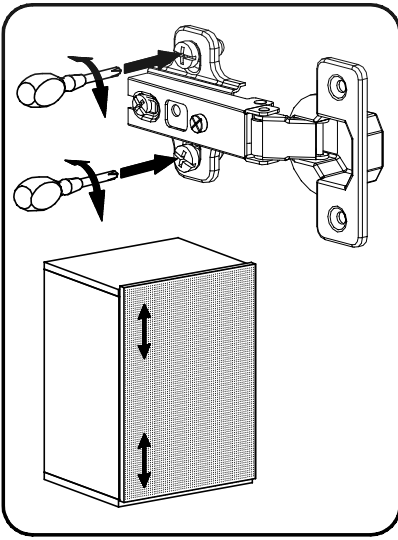
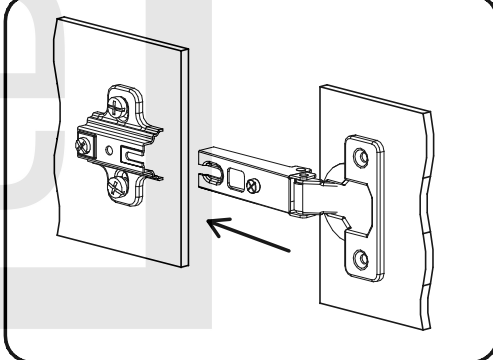
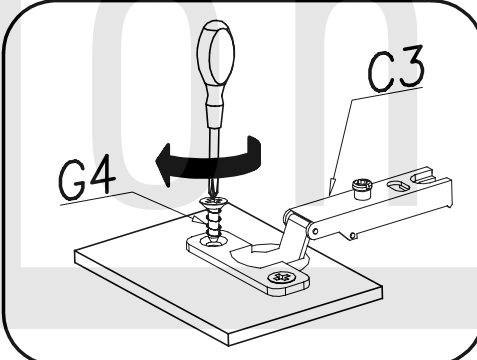
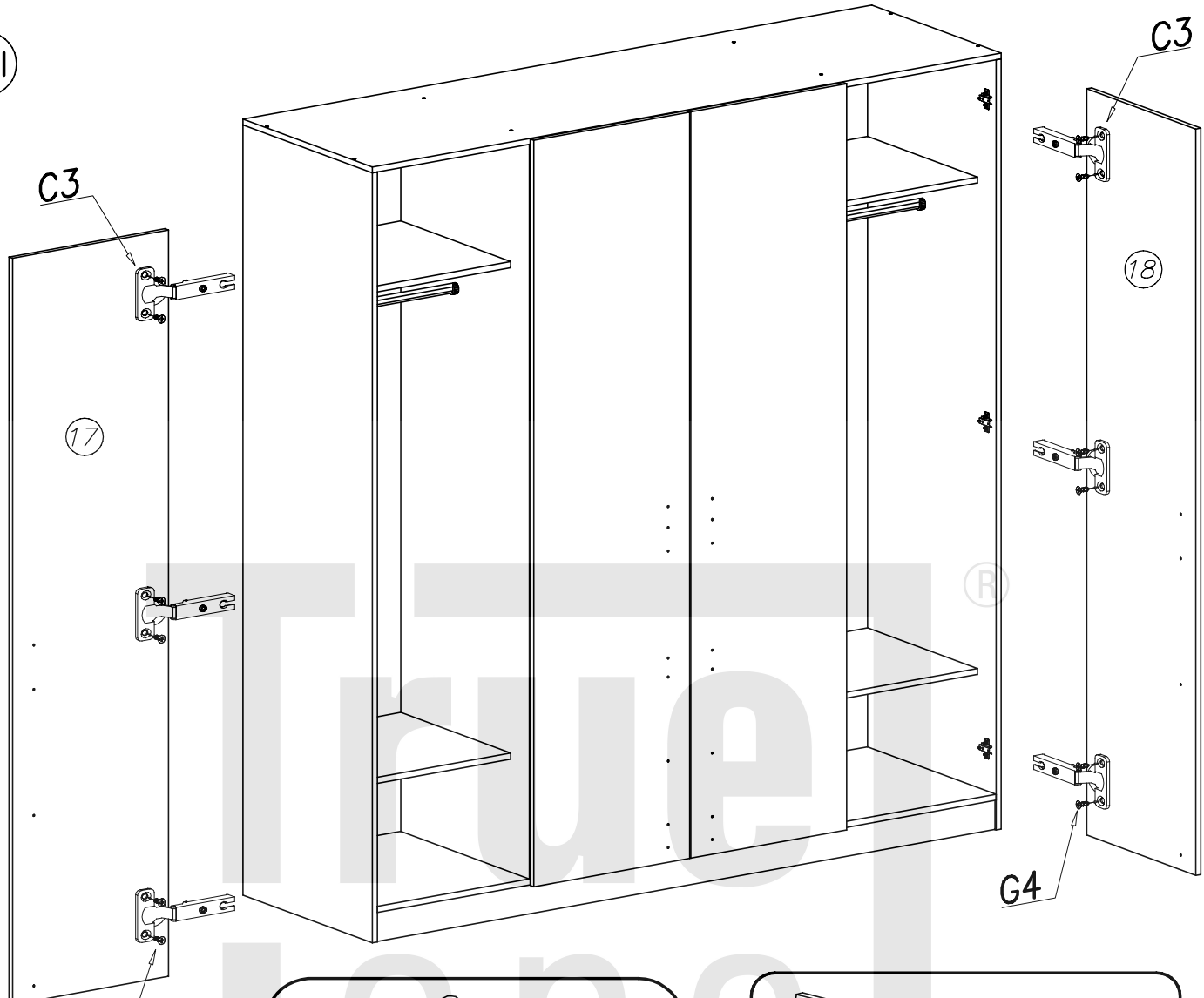
2



VII

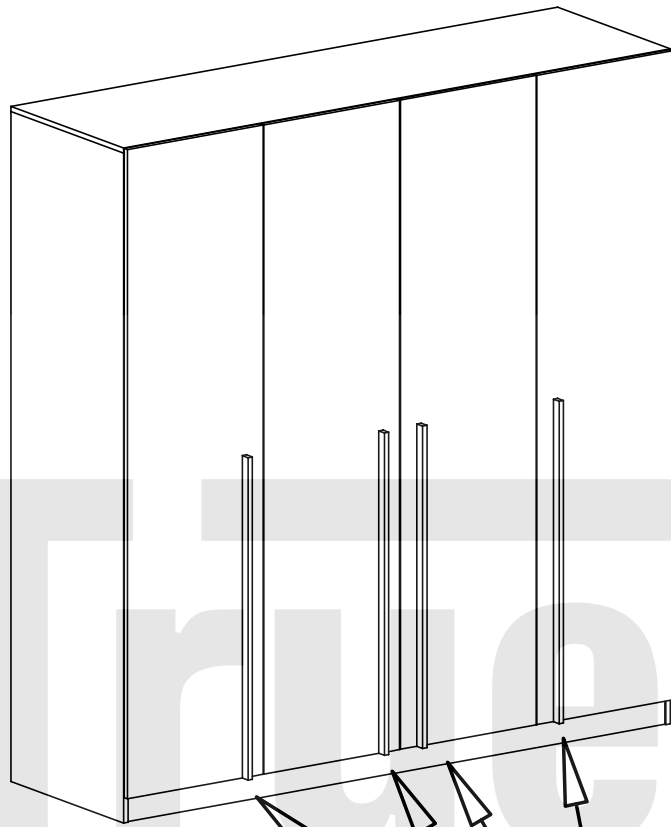


VIII

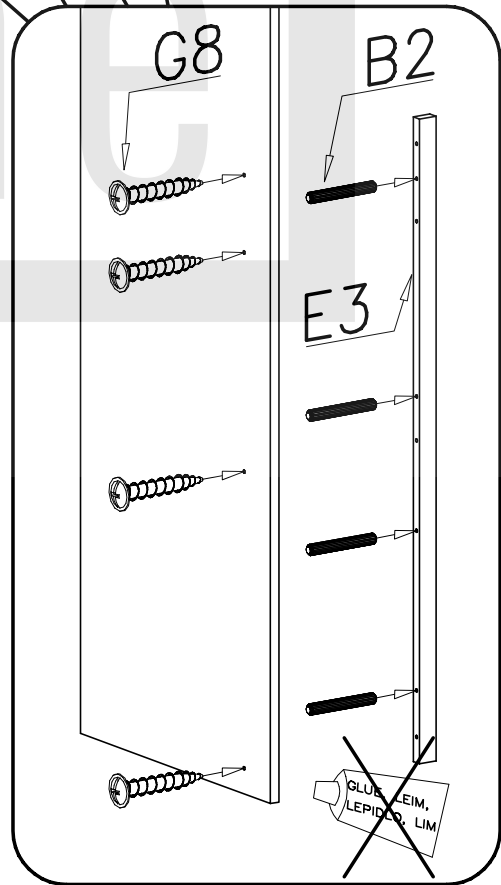


IX

A

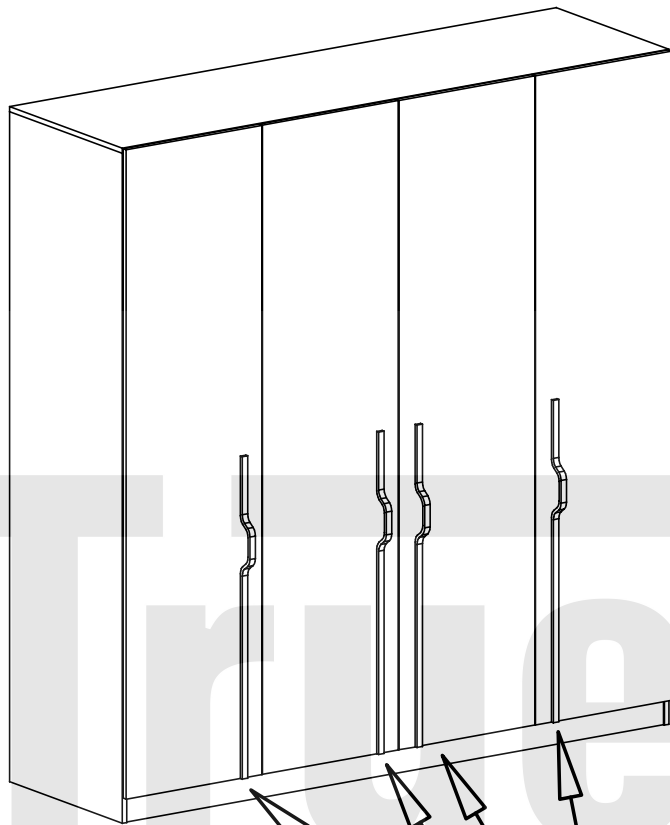


®



X

B



®

