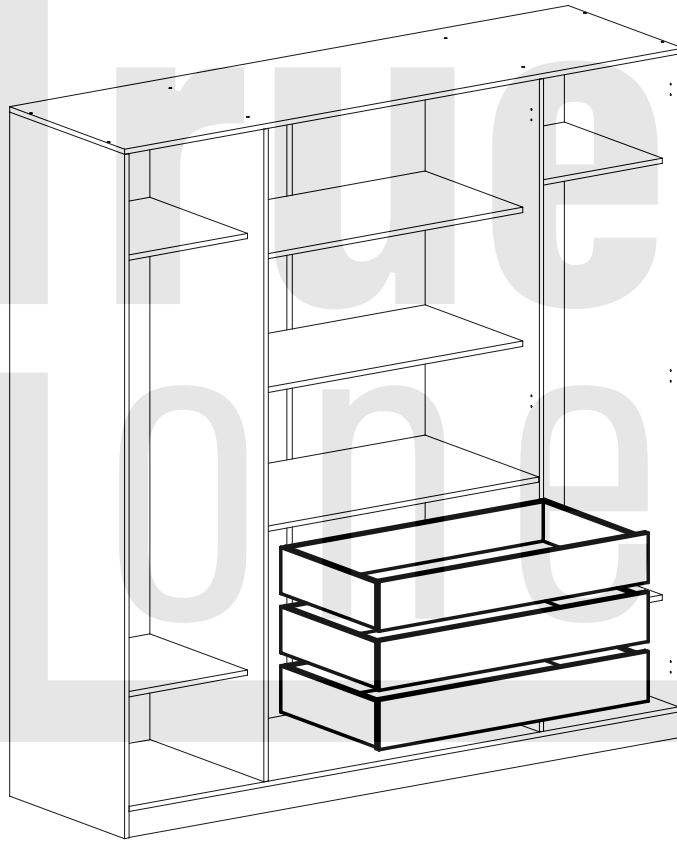
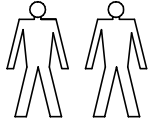
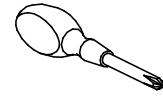
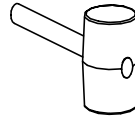
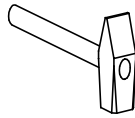
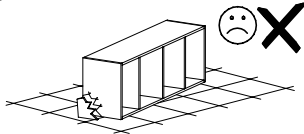
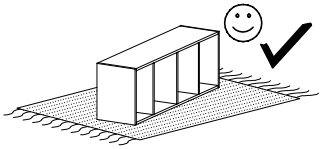


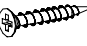
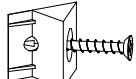
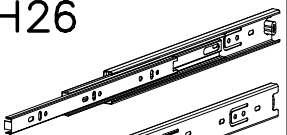





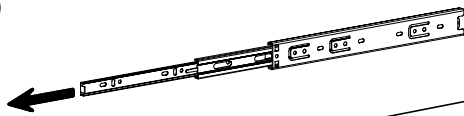
BRAGA BR 1a



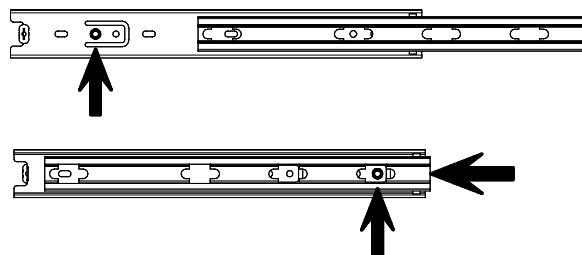
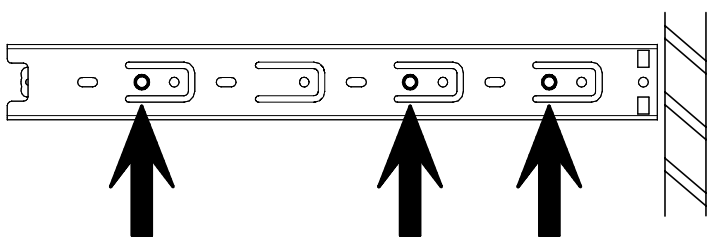
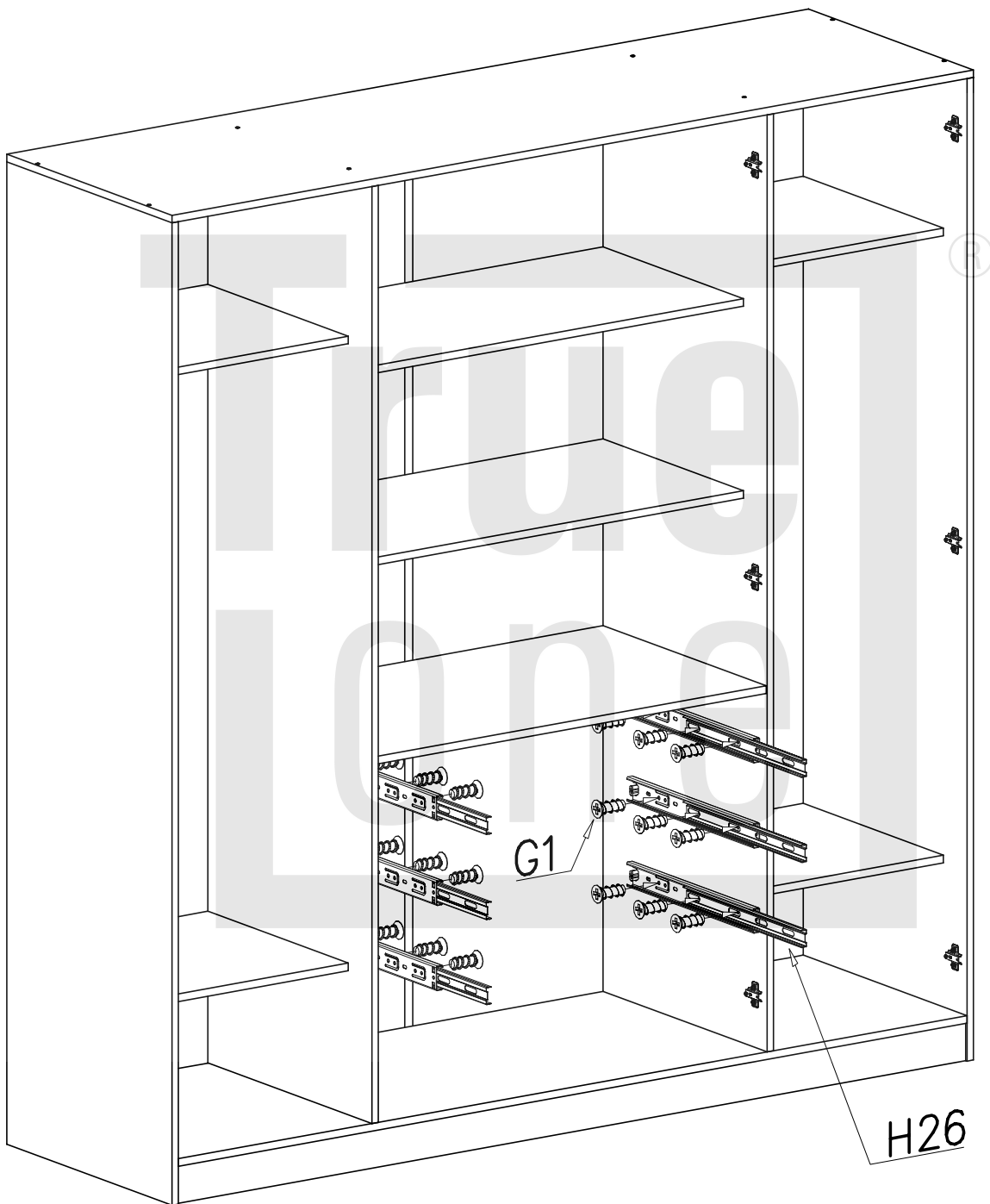
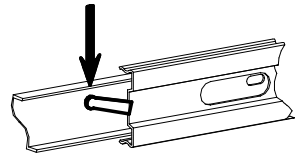
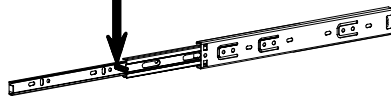
M13  500mm x3	W1  GLUE, LEIM, LEPIDLO, LIM x1	G2  3x20 x21	I1  x18	H26  500mm x3
B7  ø8x30 x24	G4  4x16 x6	G1  4x13 x36		

I

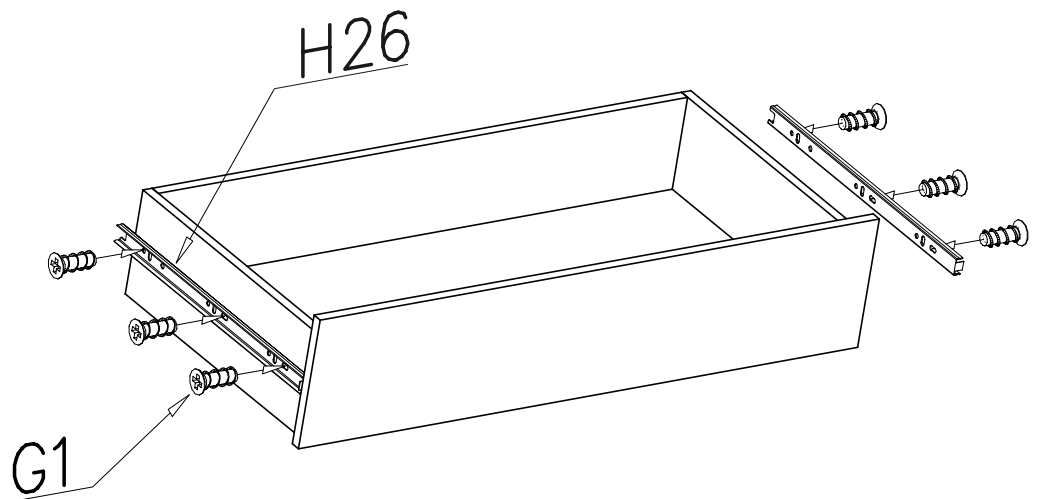
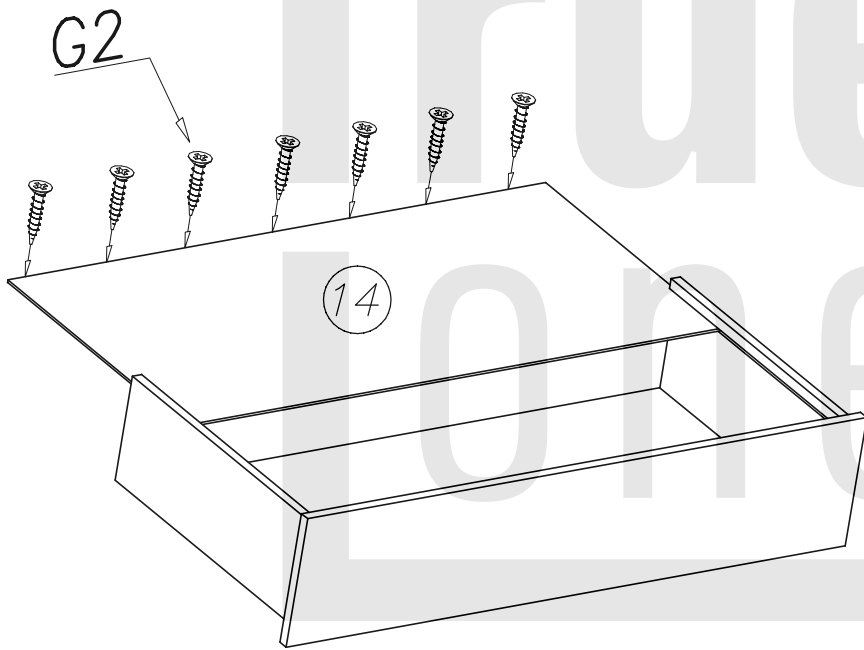
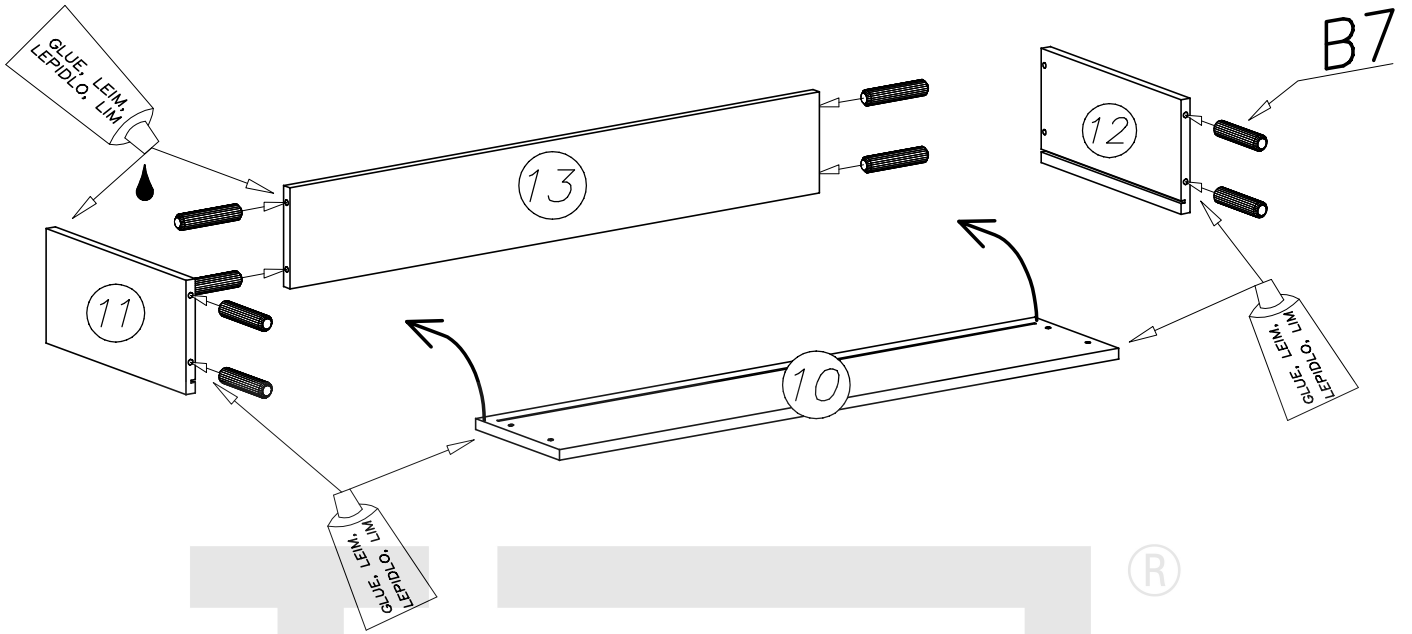
A



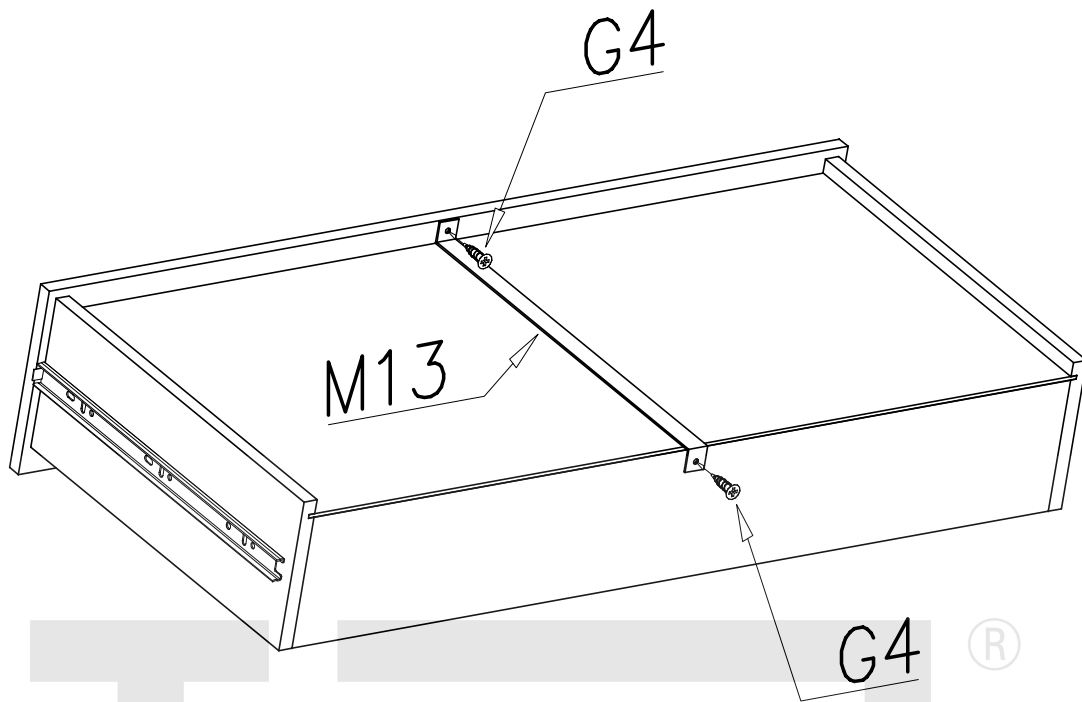
B



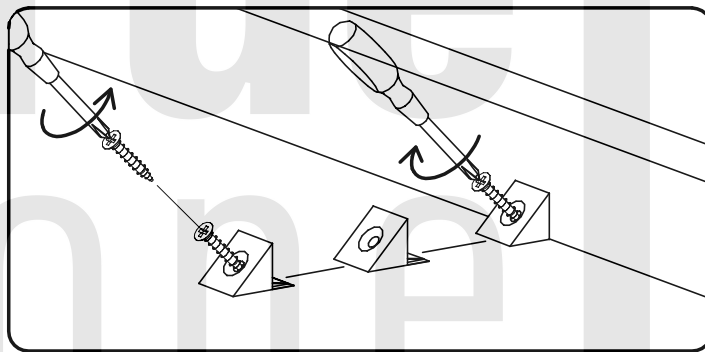
II



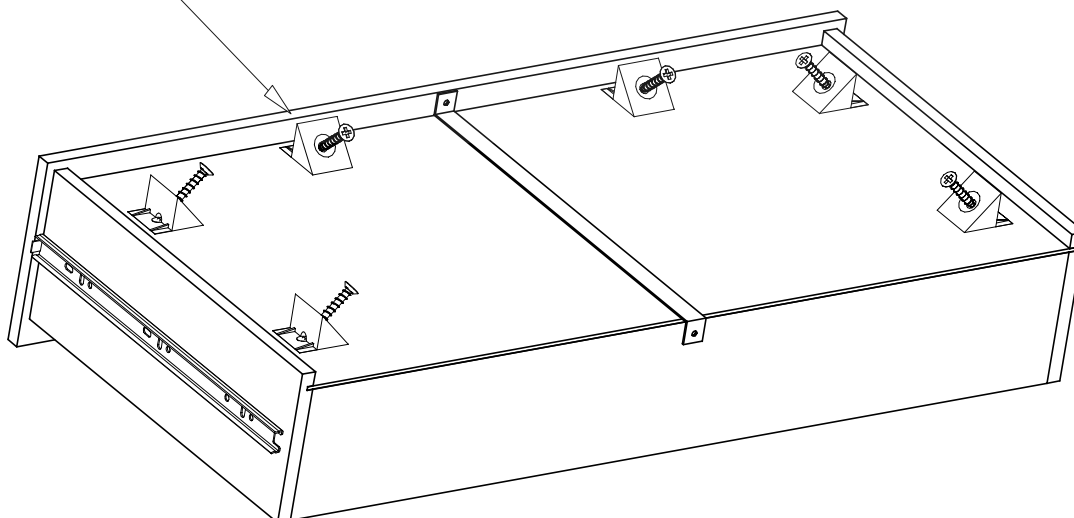
III



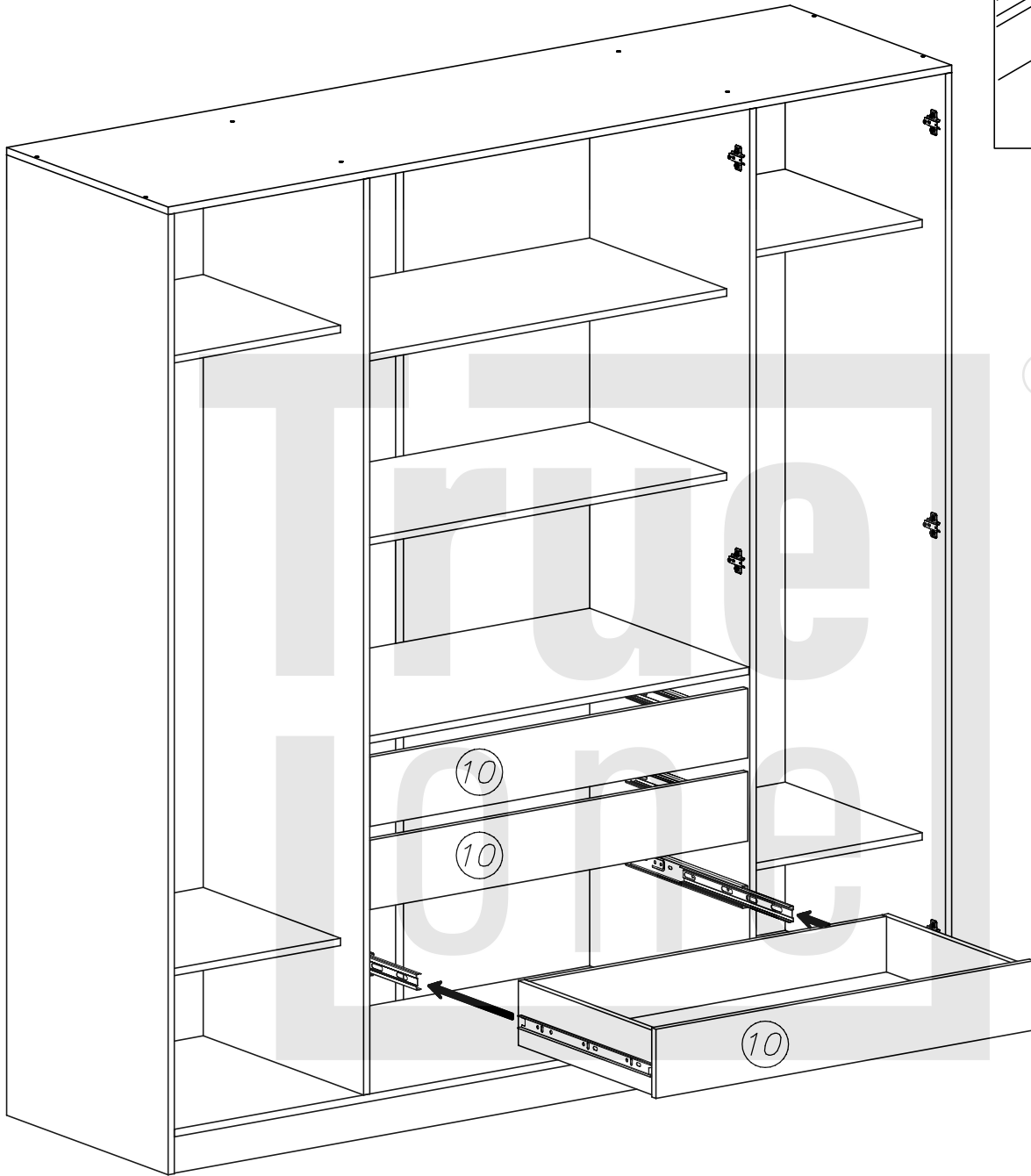
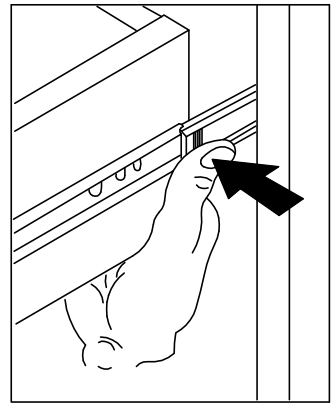
IV



11



V



®

