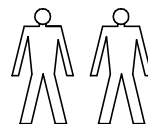
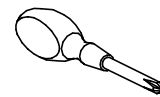
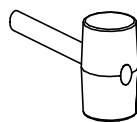
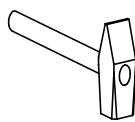
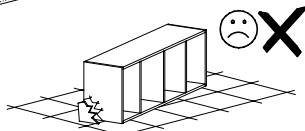
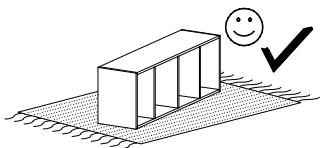


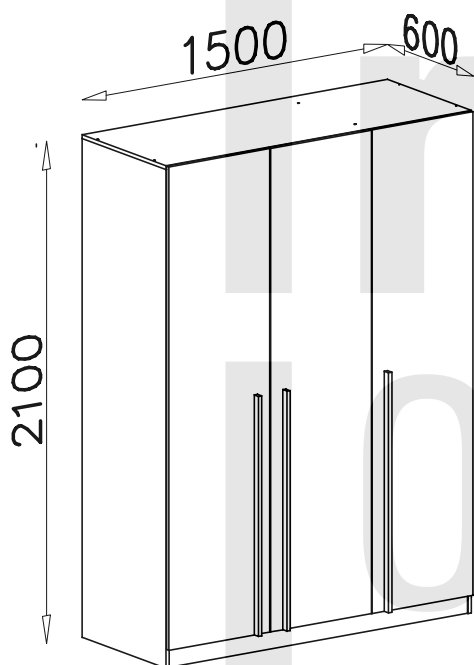
BRAGA BR 2



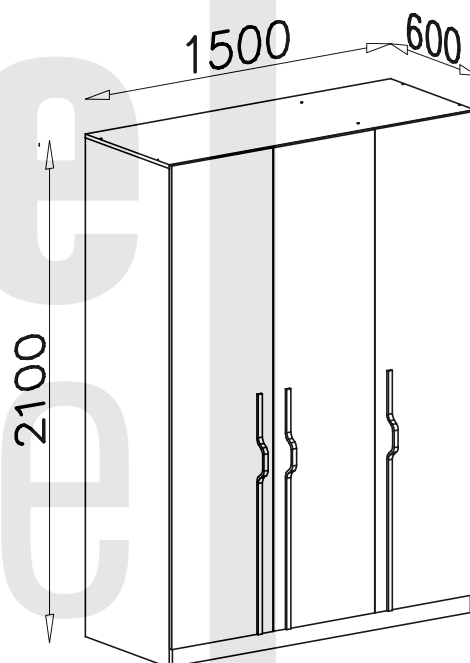
B2 Ø6x30 x12	E3 1135mm x3	G8 4x30 x12
---------------------------	---------------------------	--------------------------

N13 M4x20 x12	E19 x3
----------------------------	------------------

(A)



(B)



K5 x10

K1 Ø15x12 x10

S2 x13

I7 Ø18 x10

C3 Z35PR x6

P3 x8

D9 PZ165 x3

C9 Z165 x3

G6 3x13 x2

G6 3x13 x2

S5 960mm x1

G4 4x16 x18

G2 3x20 x70

F1 x16

S4 x2

A1 Ø7x50 x10

B7 Ø8x30 x46

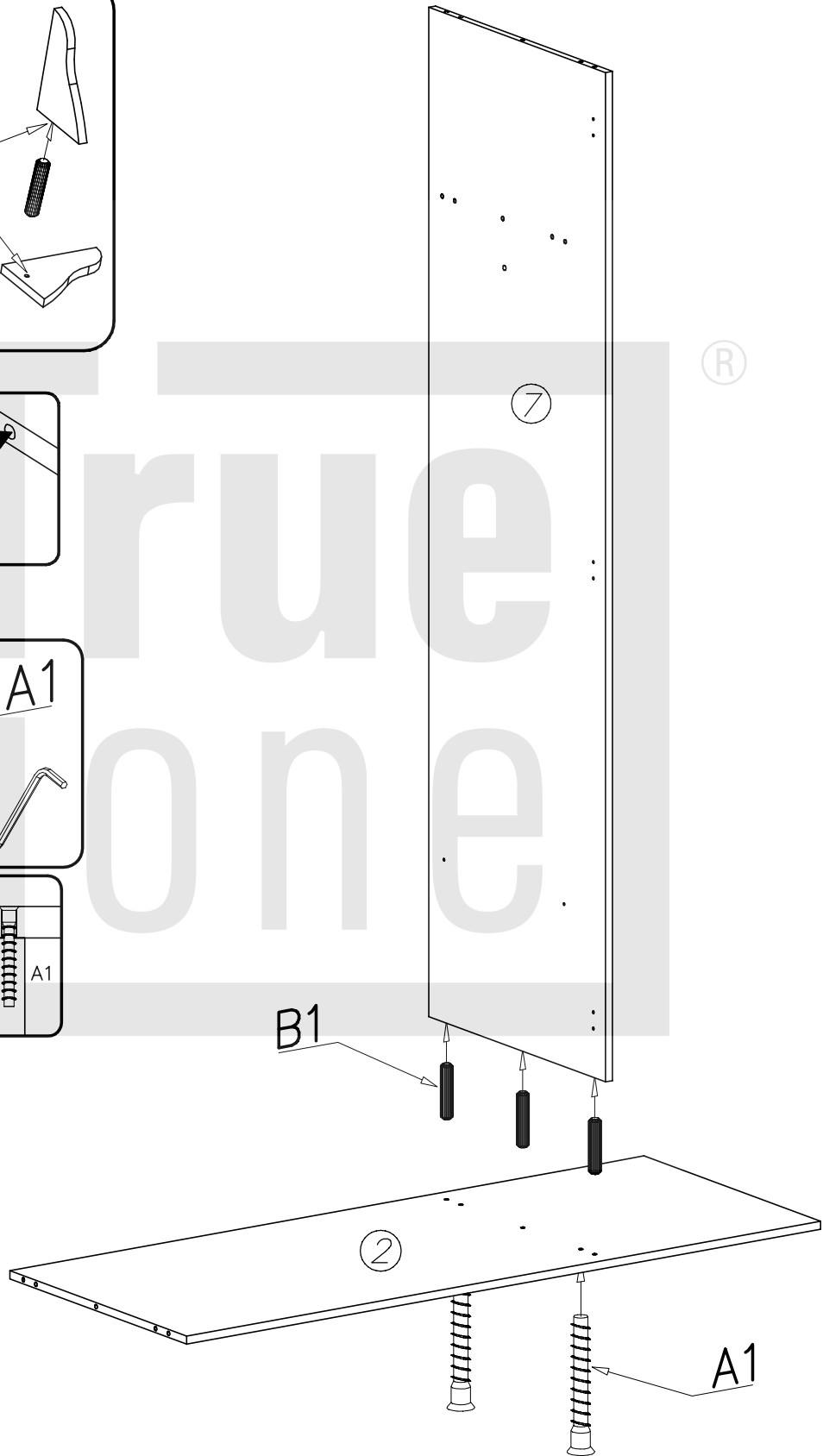
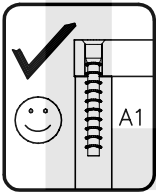
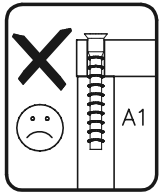
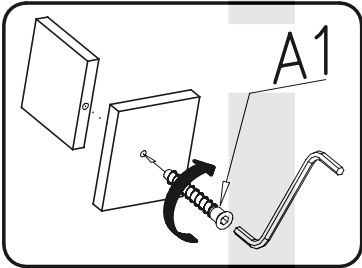
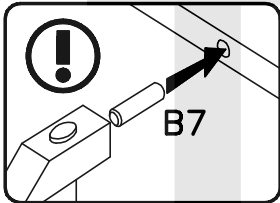
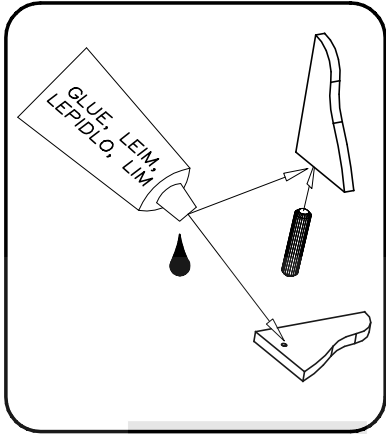
W2 x1

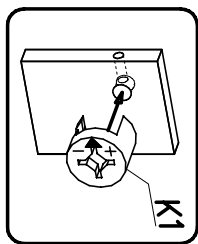
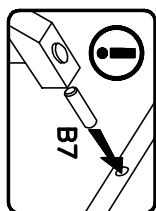
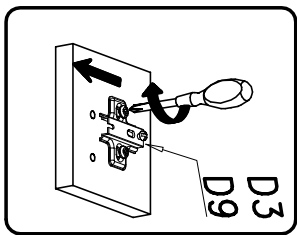
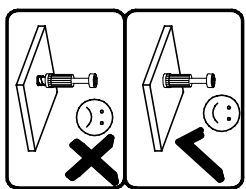
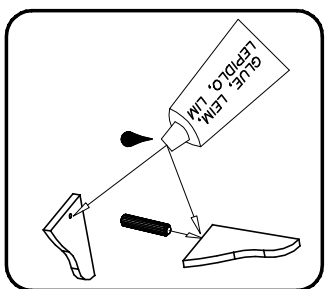
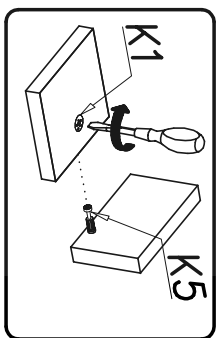
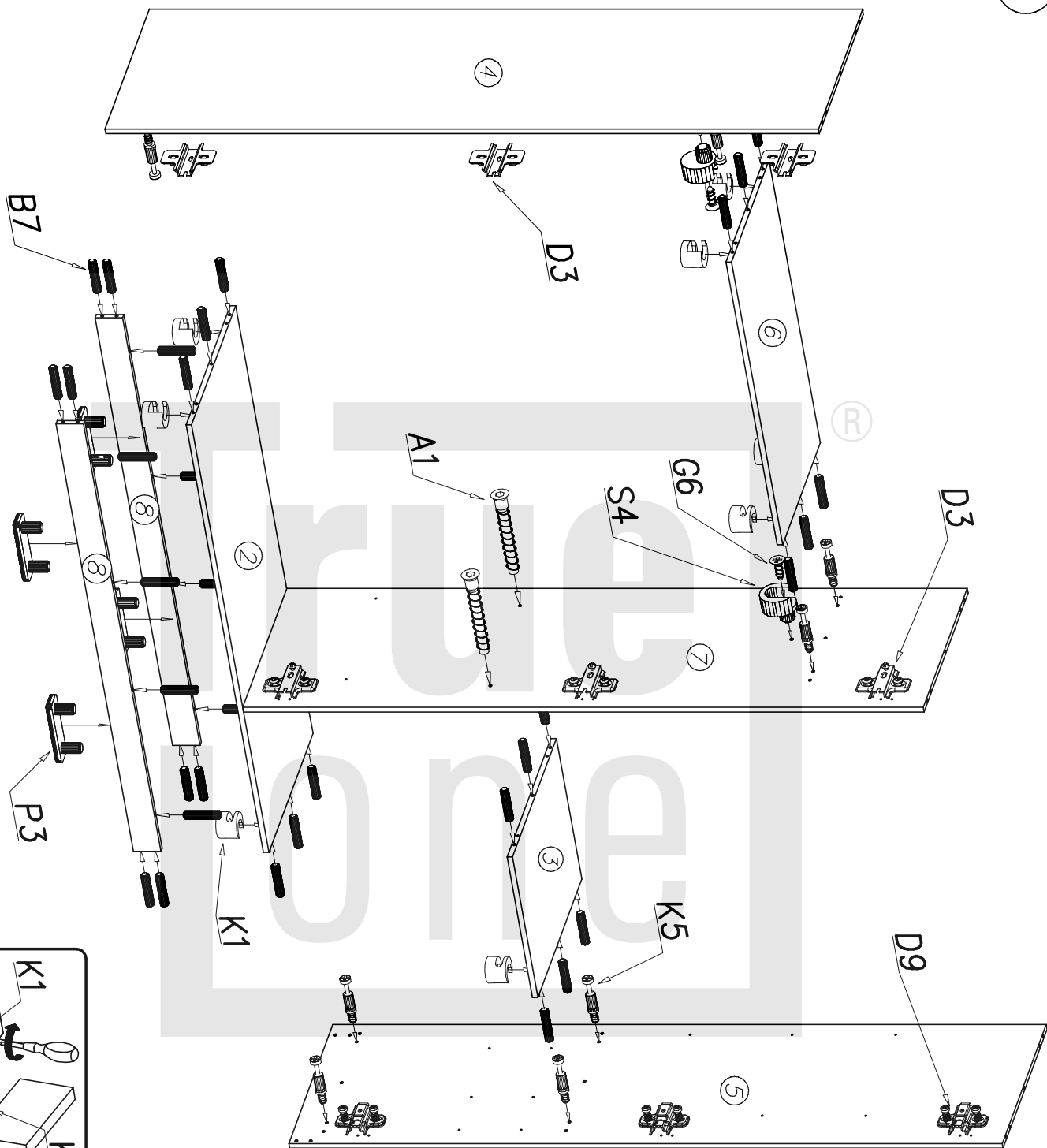
S1 1695mm x1

S3 268mm x1

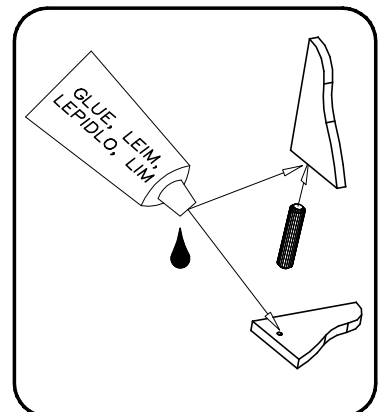
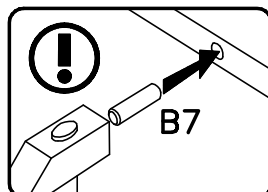
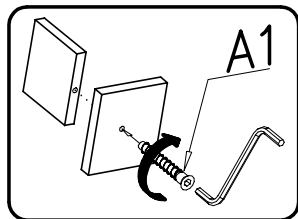
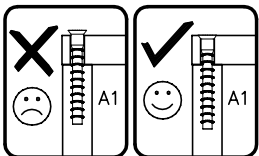
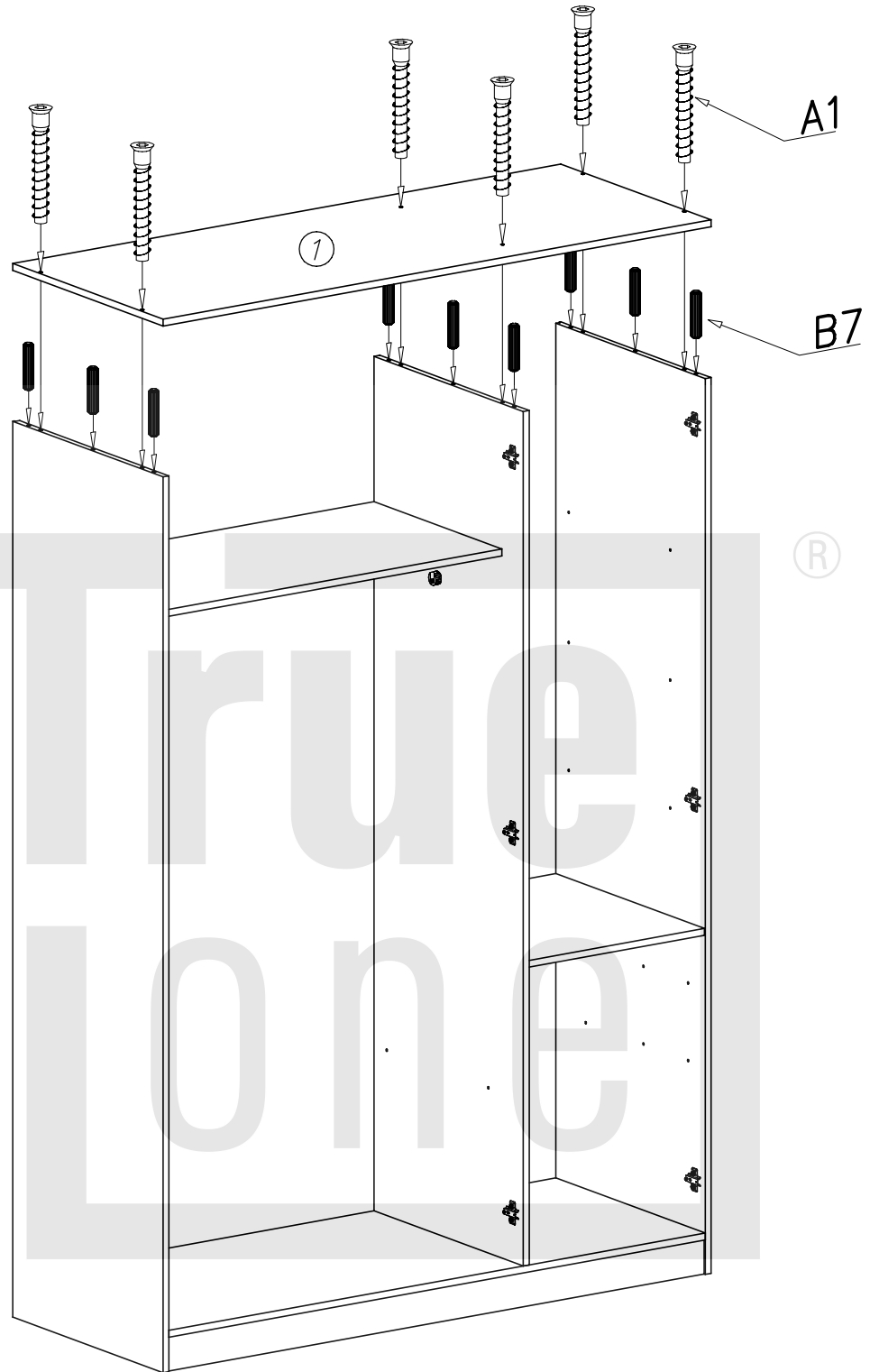
W1 GLUE, LEIM, LEPIDLO, LIM x3	D3 PZ35PR x6
---	---------------------------

1

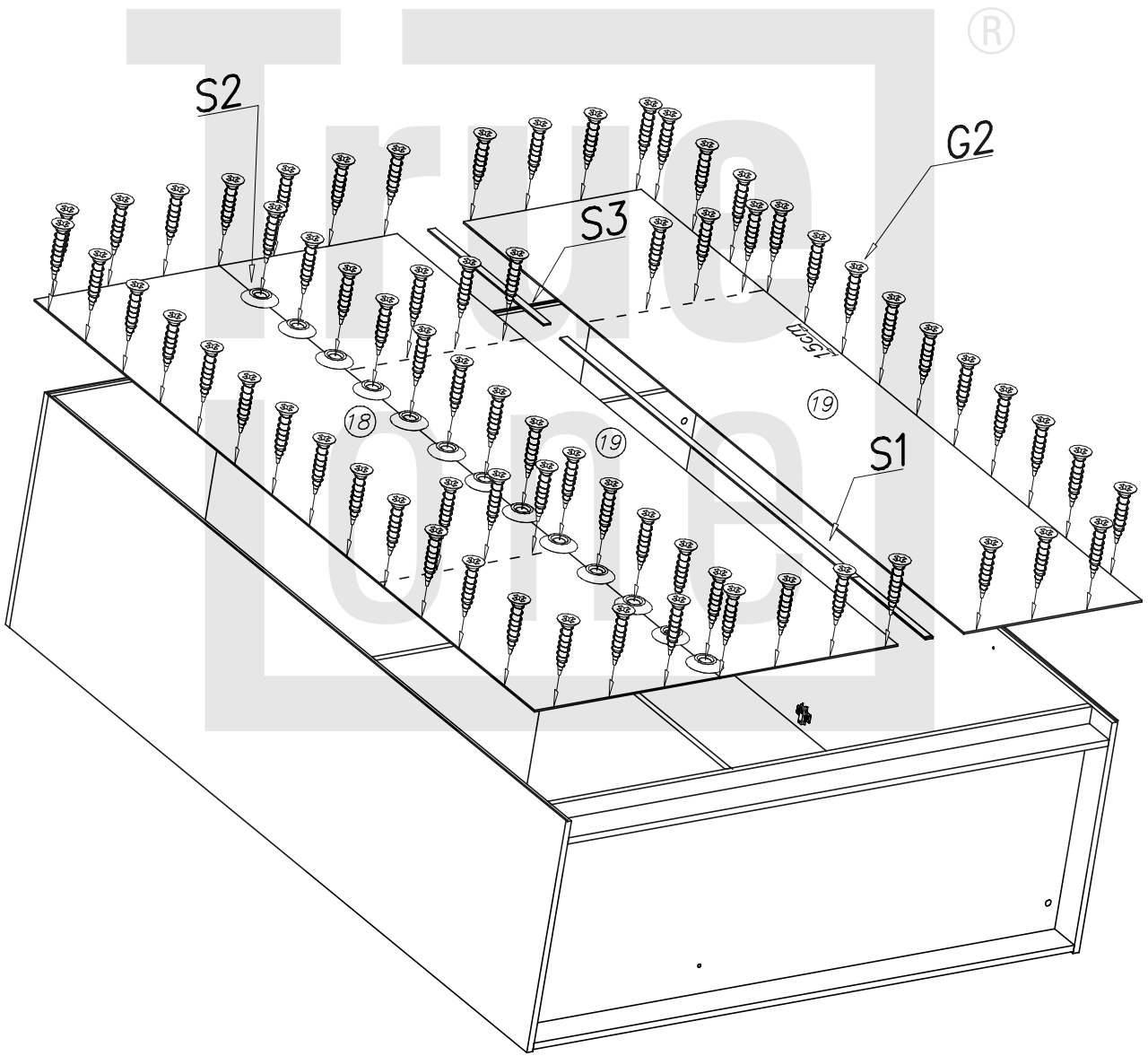
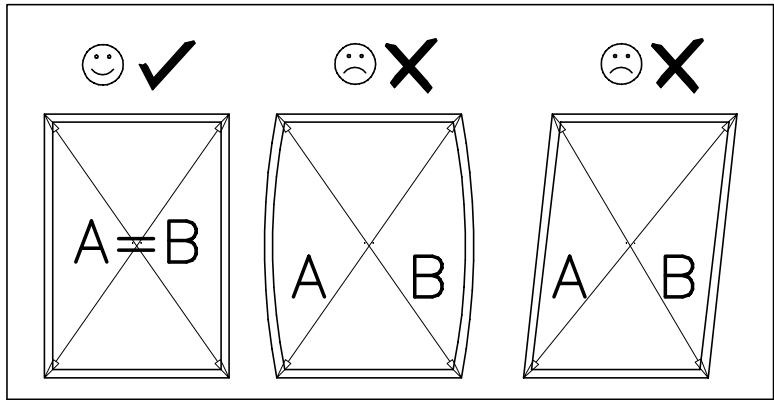




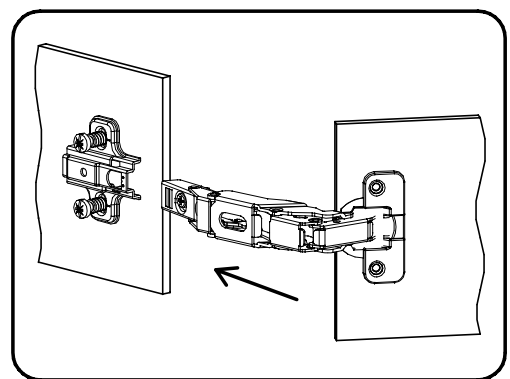
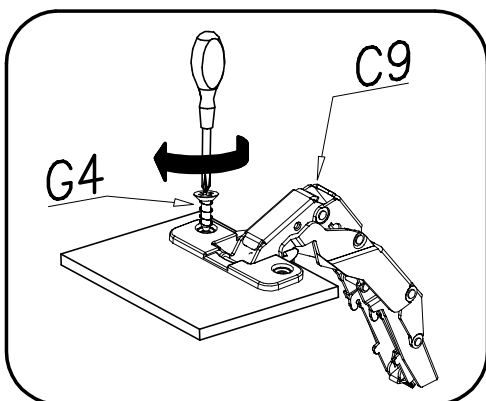
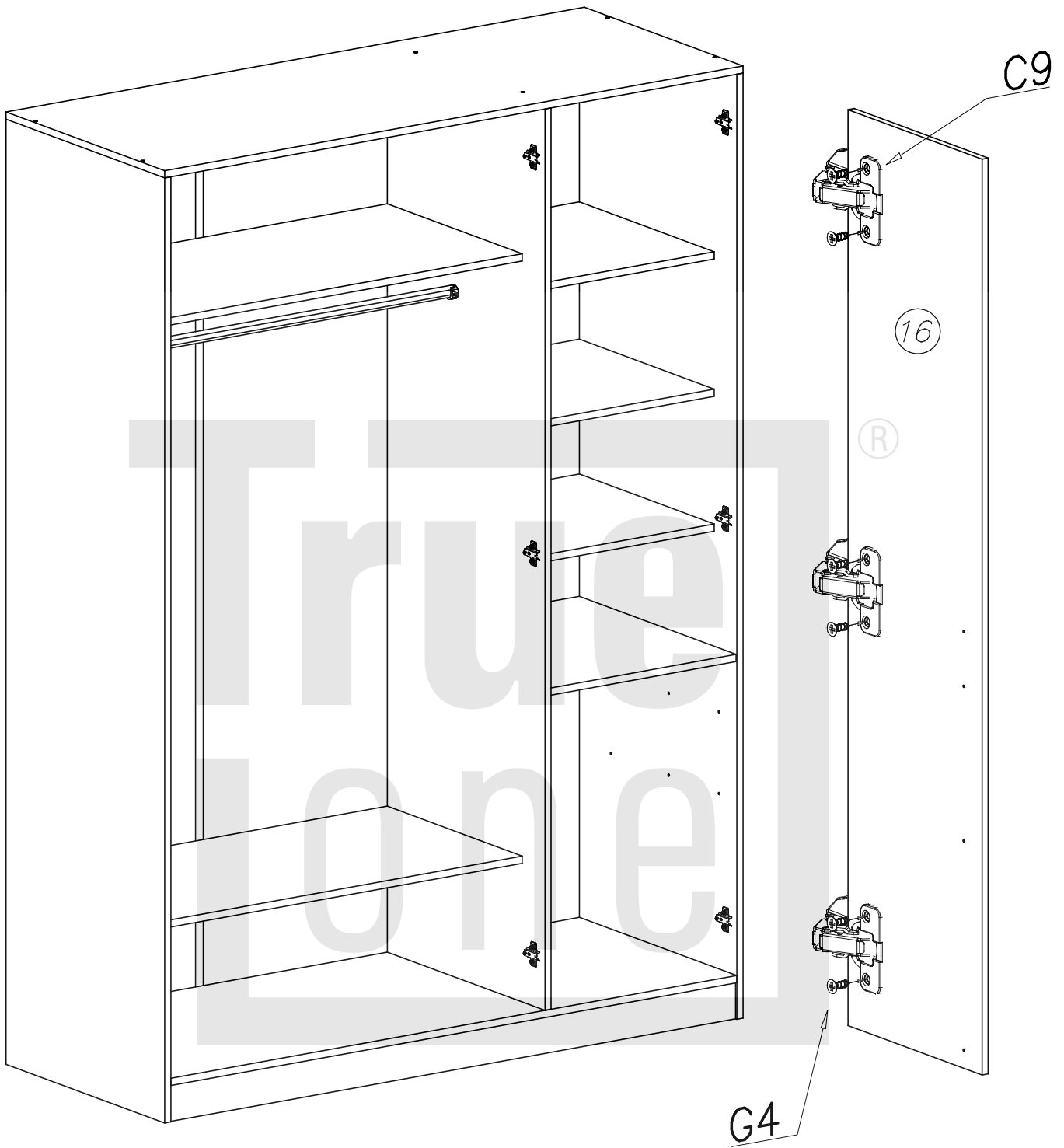
III



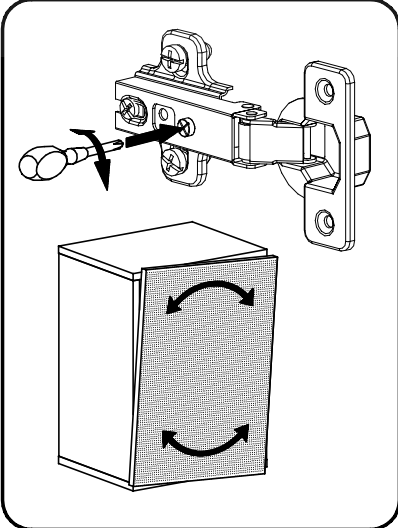
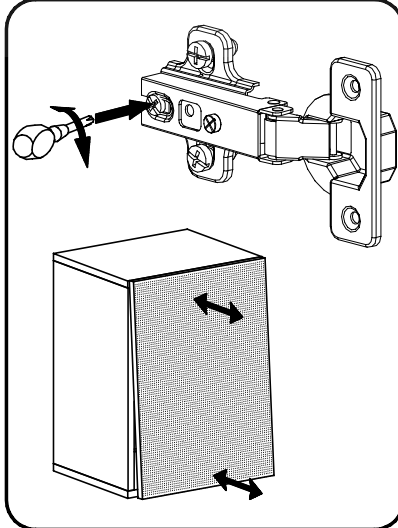
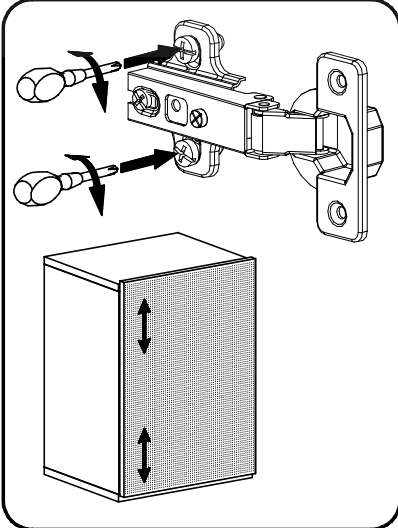
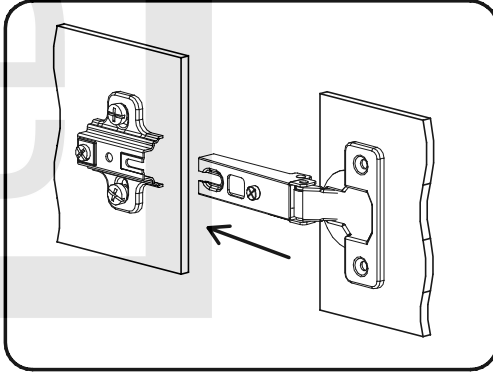
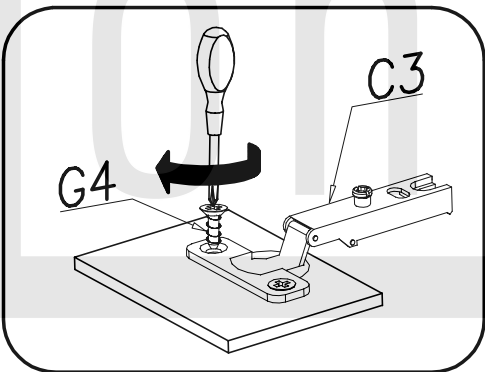
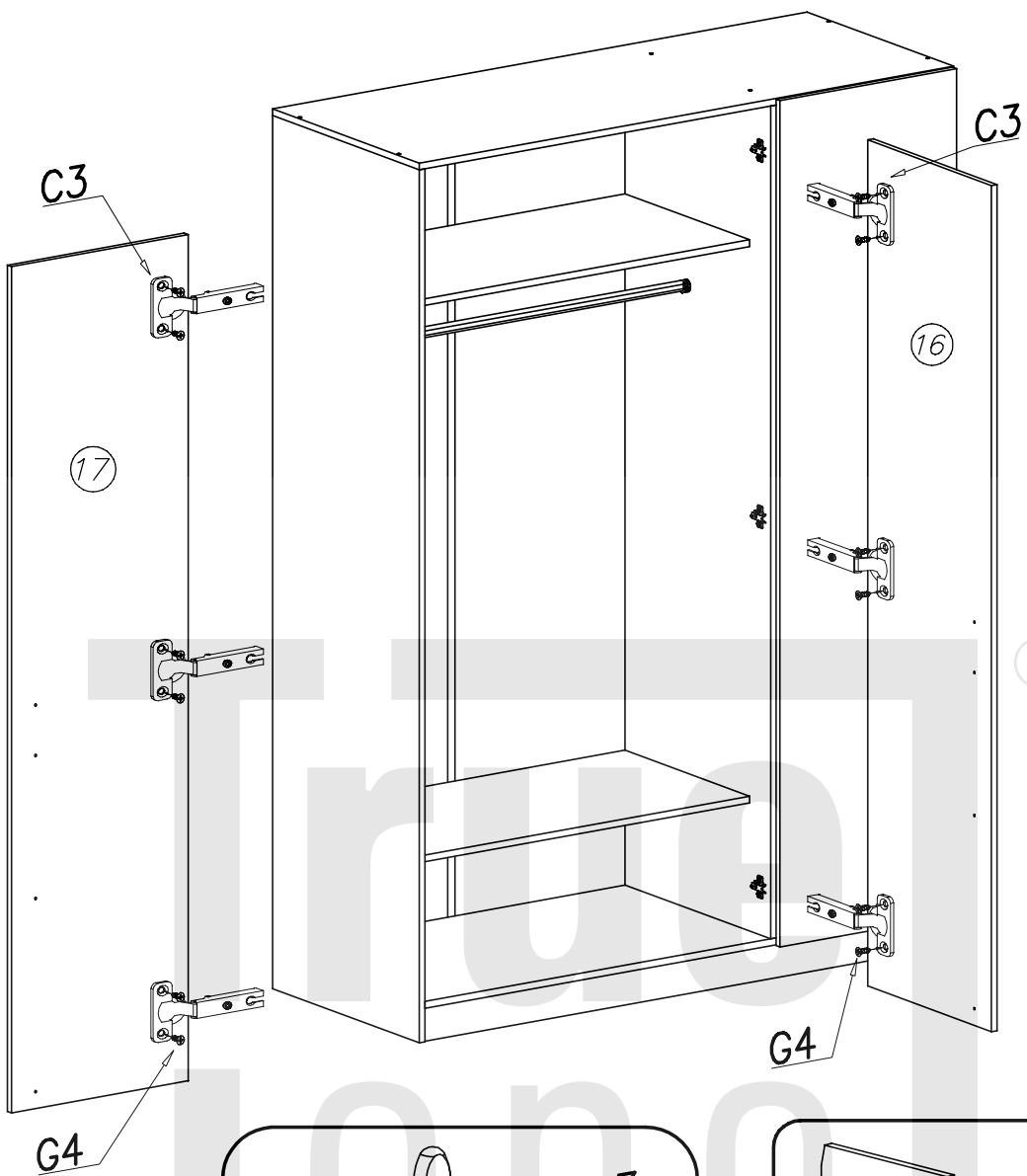
IV



VI

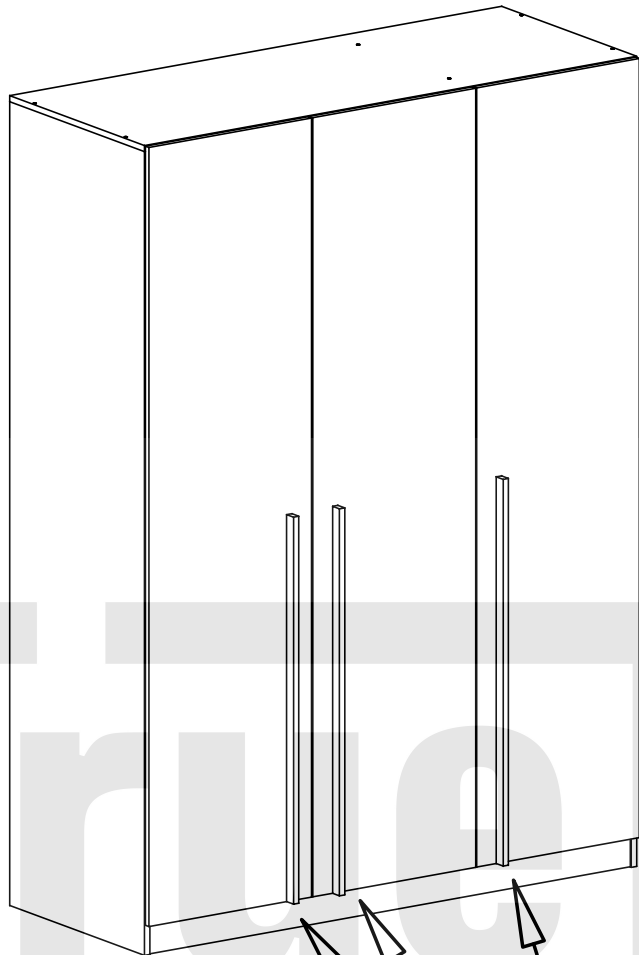


VII

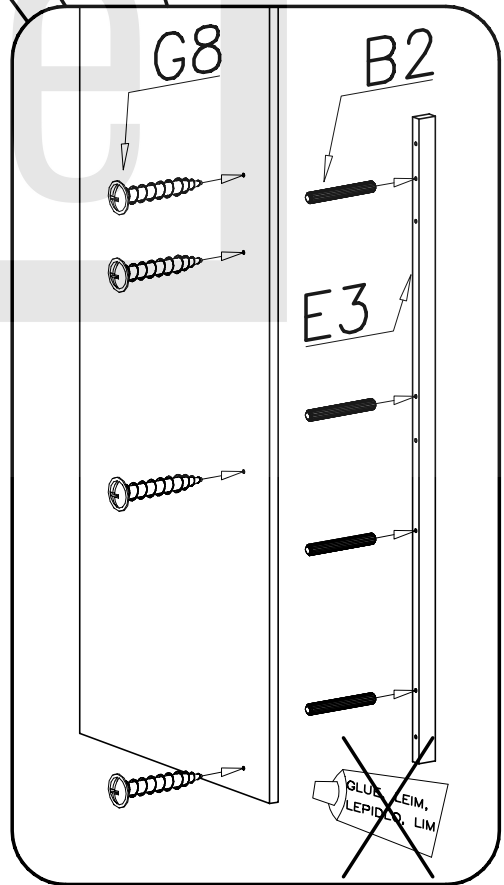


VIII

A

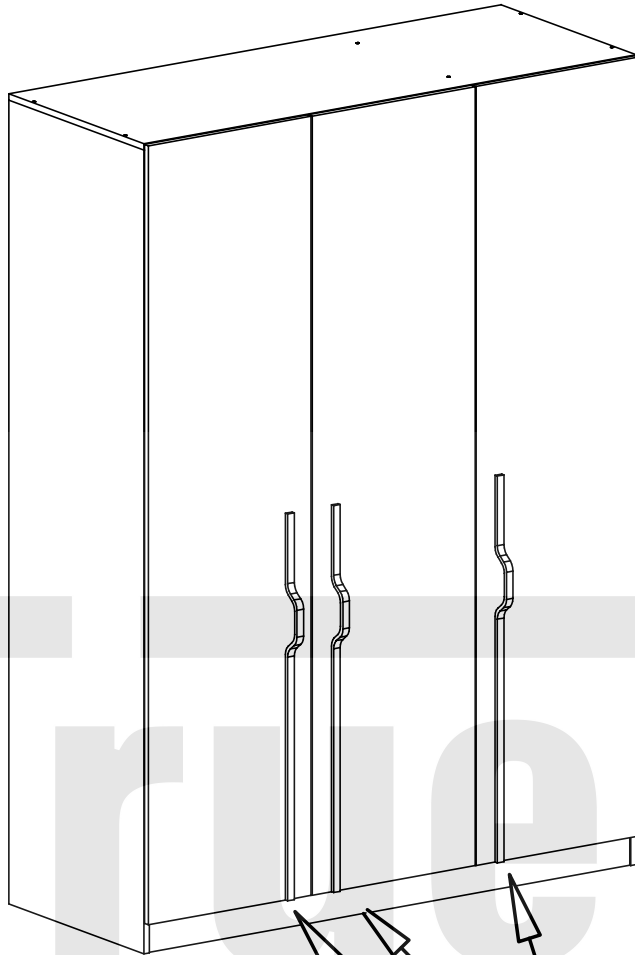


®



IX

B



®

