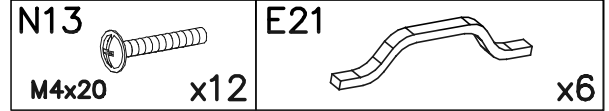
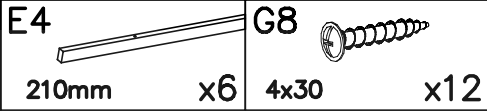
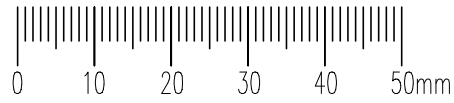
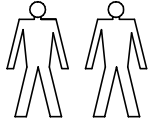
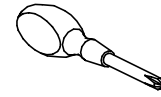
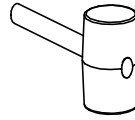
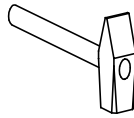
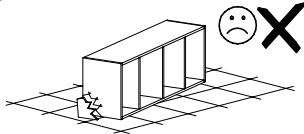
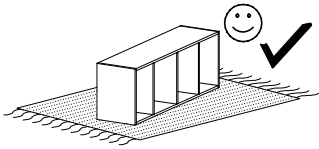
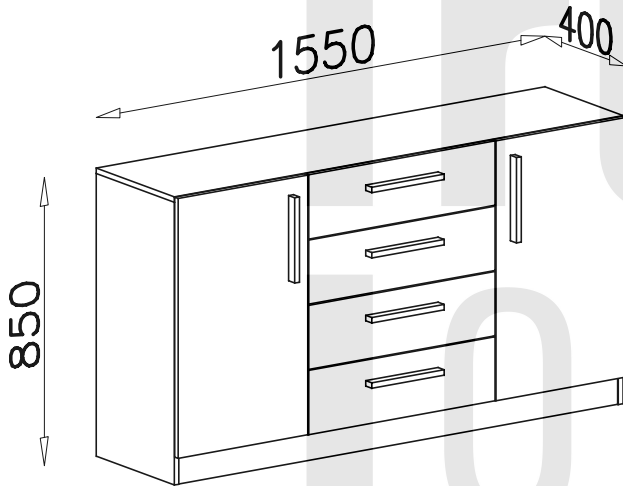


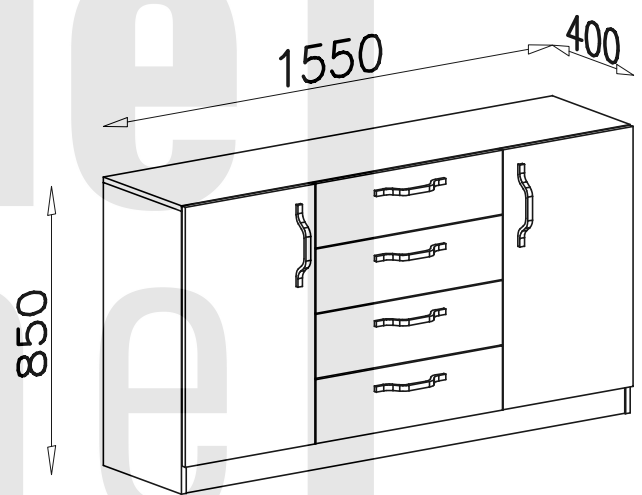
BRAGA BRK 1




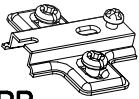
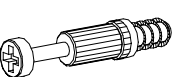


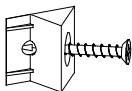
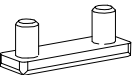



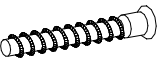

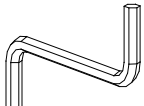

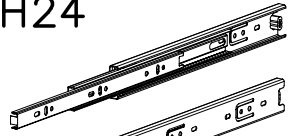


(A)



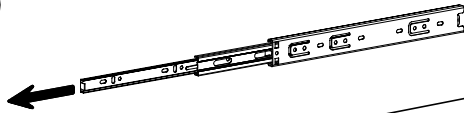
(B)



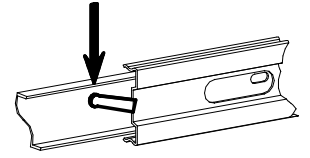
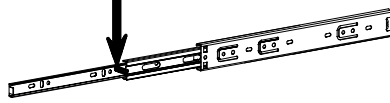
K1  ø15x12	S2 	I7  ø18	D3  PZ35PR
x12	x10	x12	x4
K5  x12	W1  GLUE, LEIM, LEPIDLO, LIM x4	G1  4x13	I1  x16
x12	x4	x40	x16
P3  x8	G4  4x16	G2  3x20	F1  x8
x8	x8	x60	x8
A1  ø7x50	B7  ø8x30	W2  x1	S1  729mm
x2	x70	x1	x1
			H24  350mm
			x4

I

A

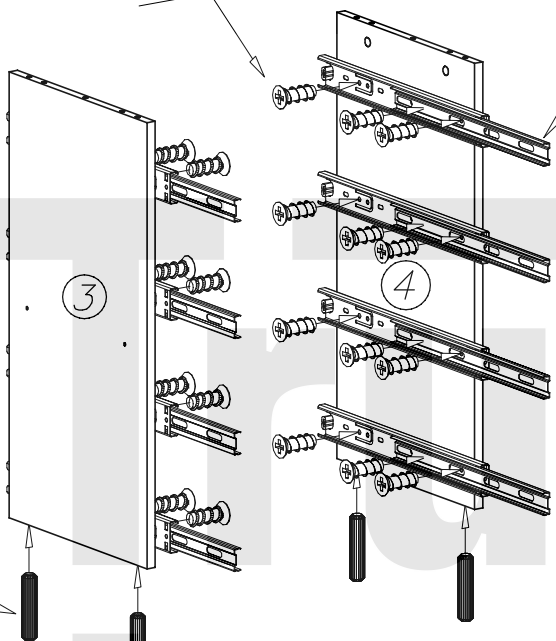


B

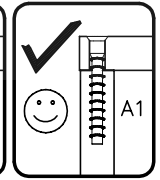
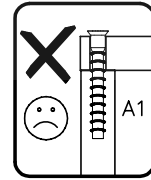
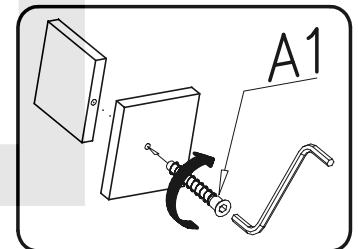
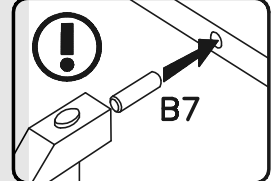
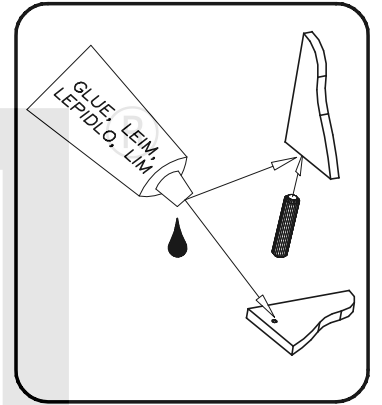


G1

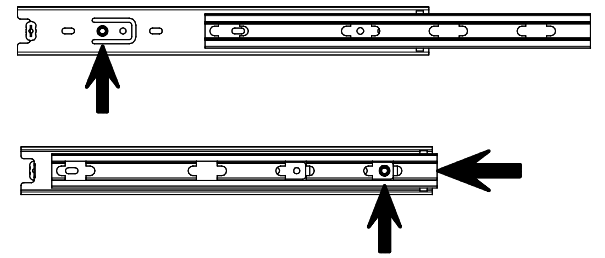
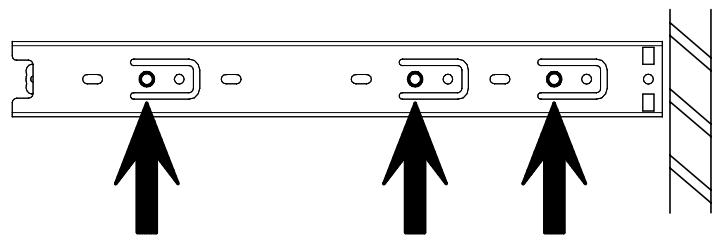
H24

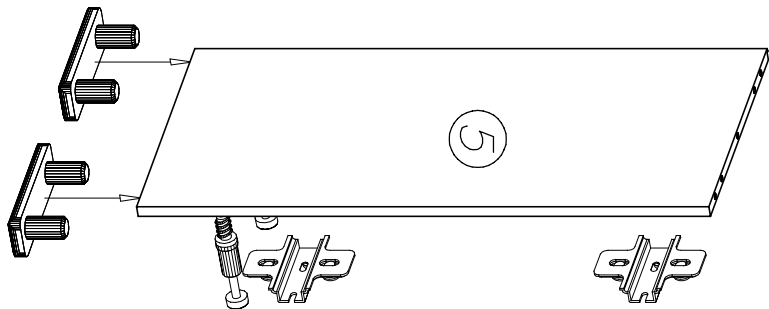
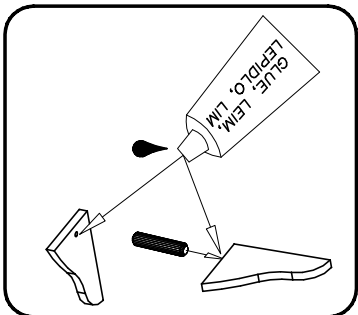
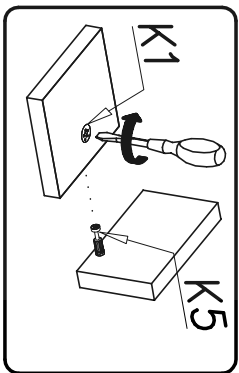
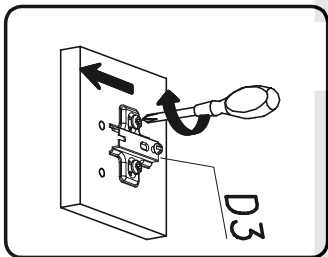
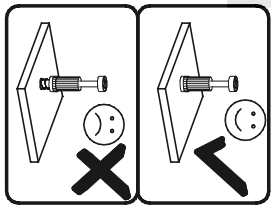
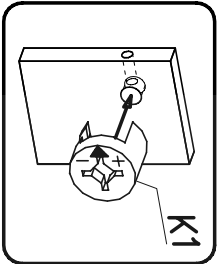
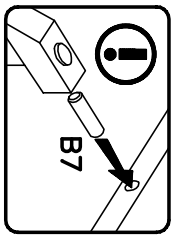


B7



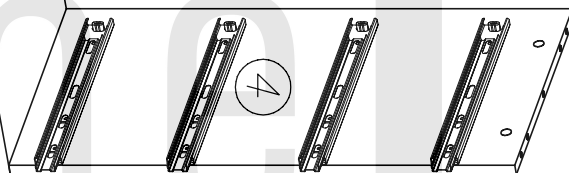
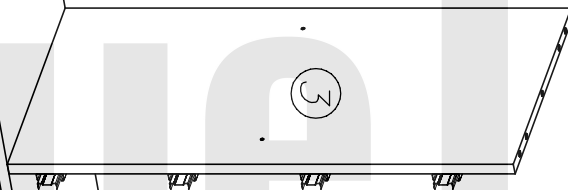
P3





K1

®

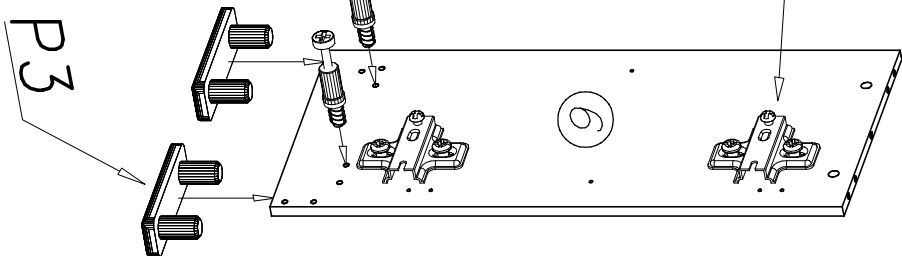


B7

K5

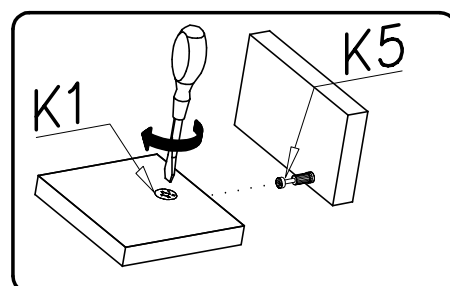
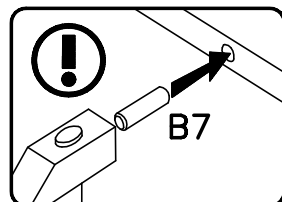
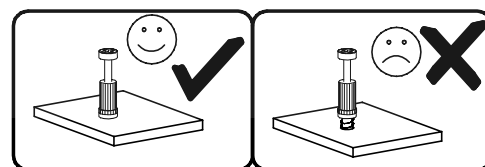
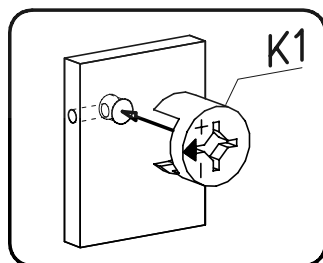
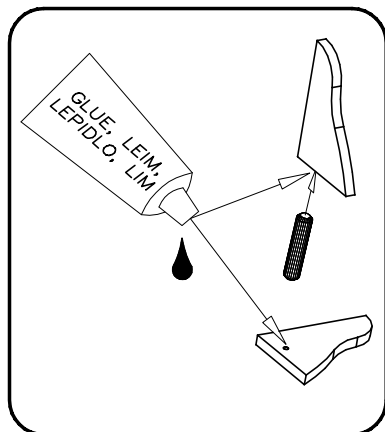
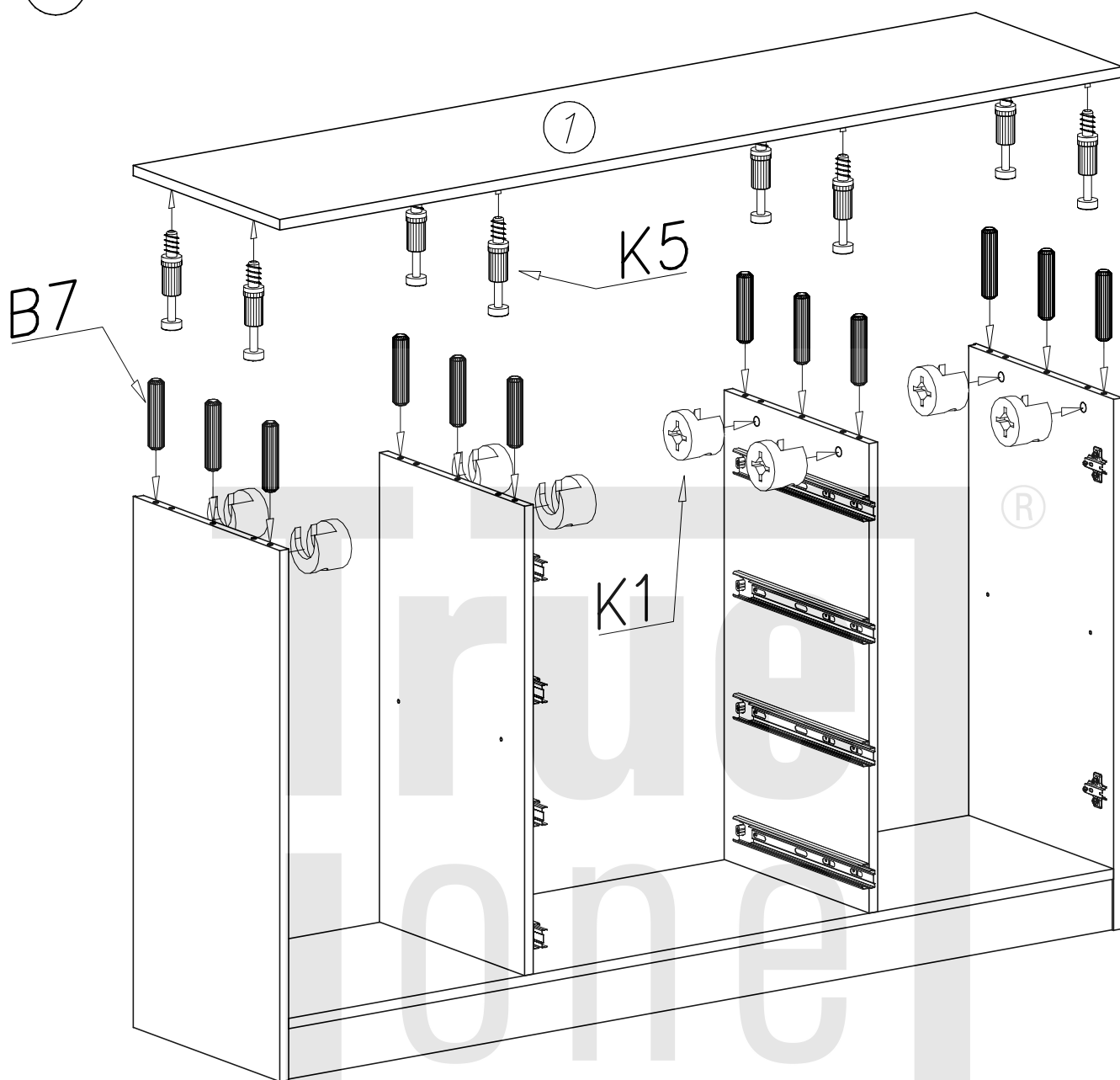
D3

P3

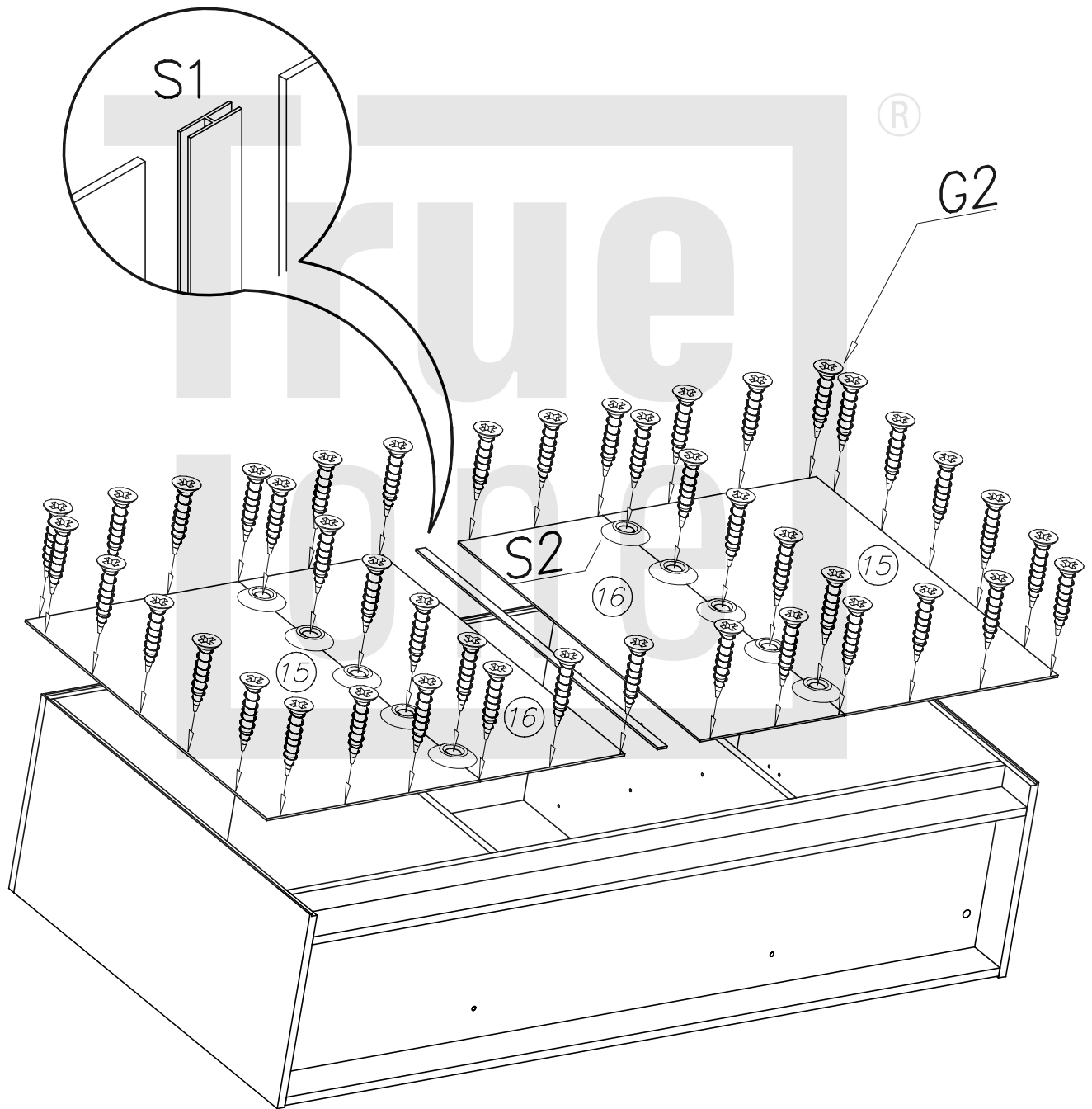
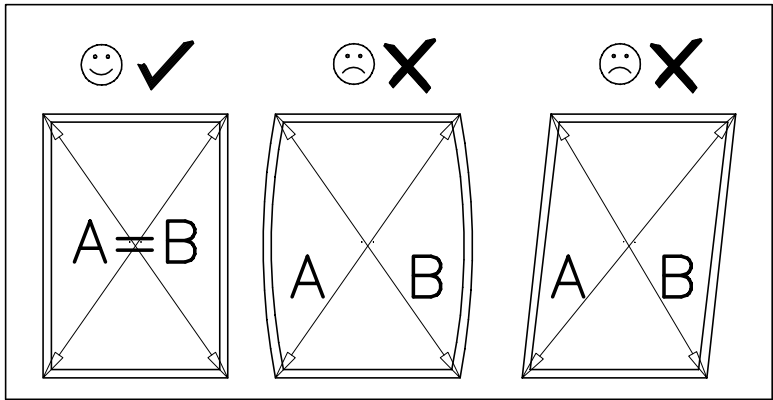


6

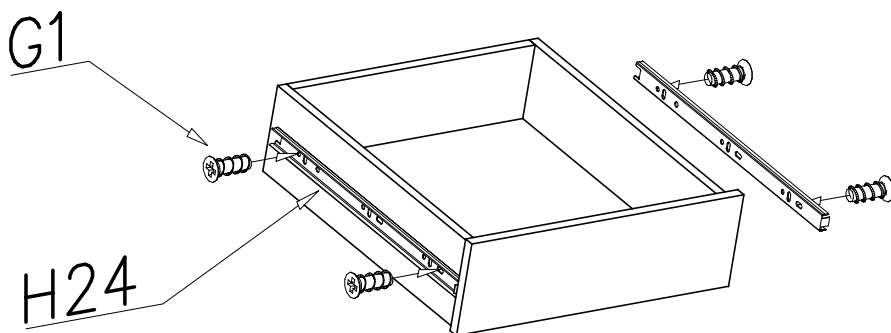
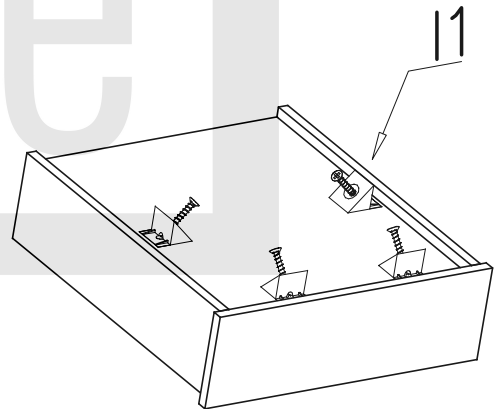
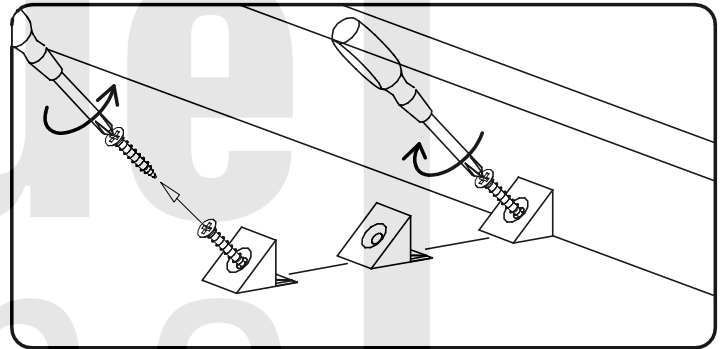
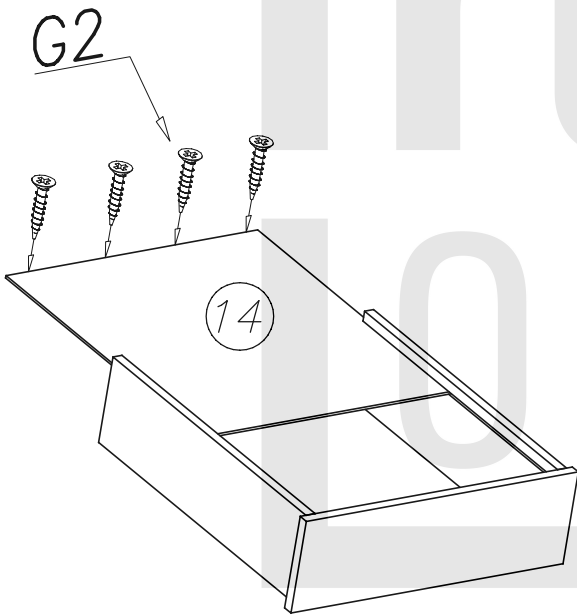
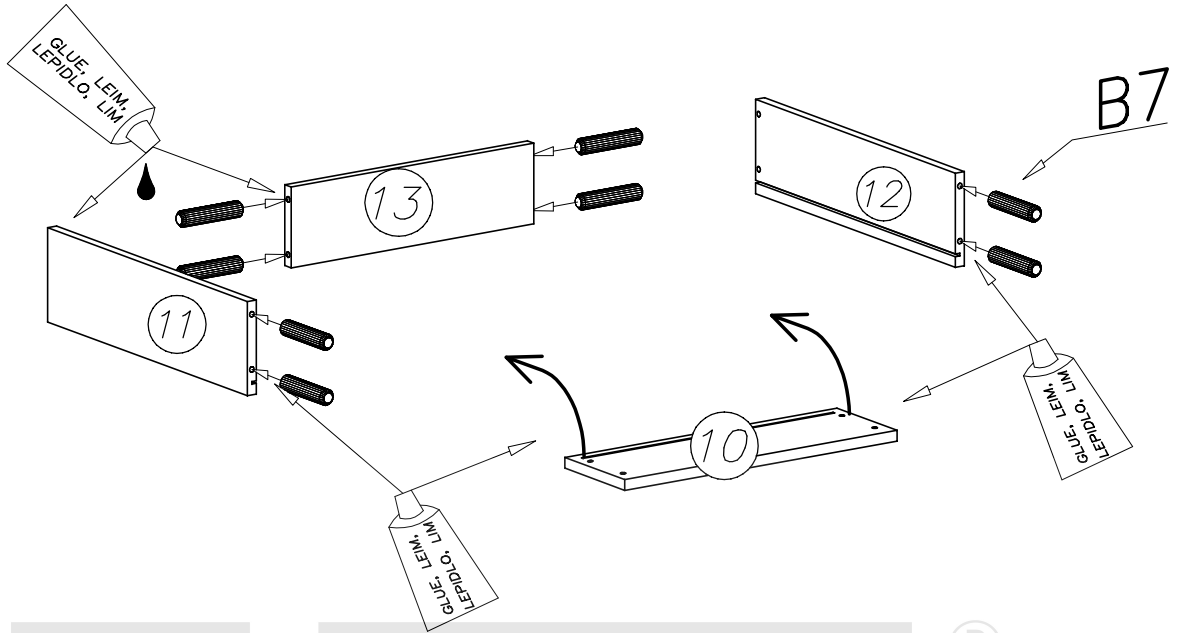
III



IV

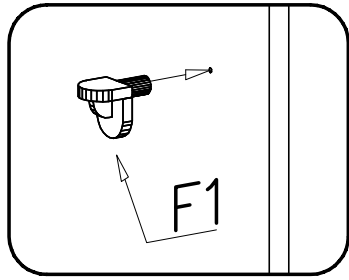


V

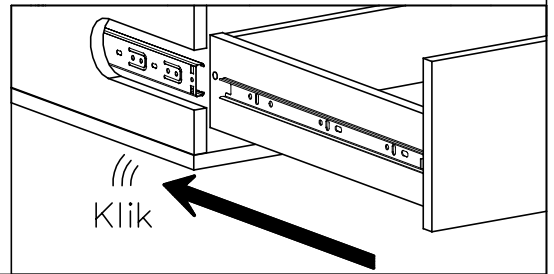
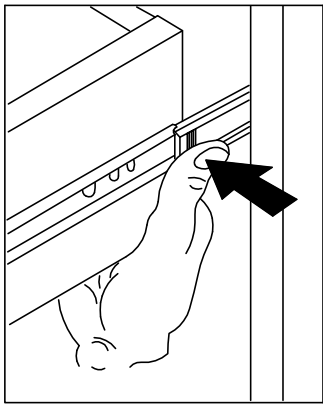
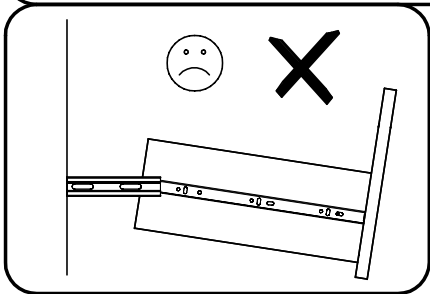
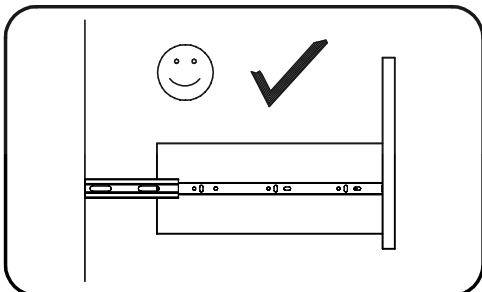
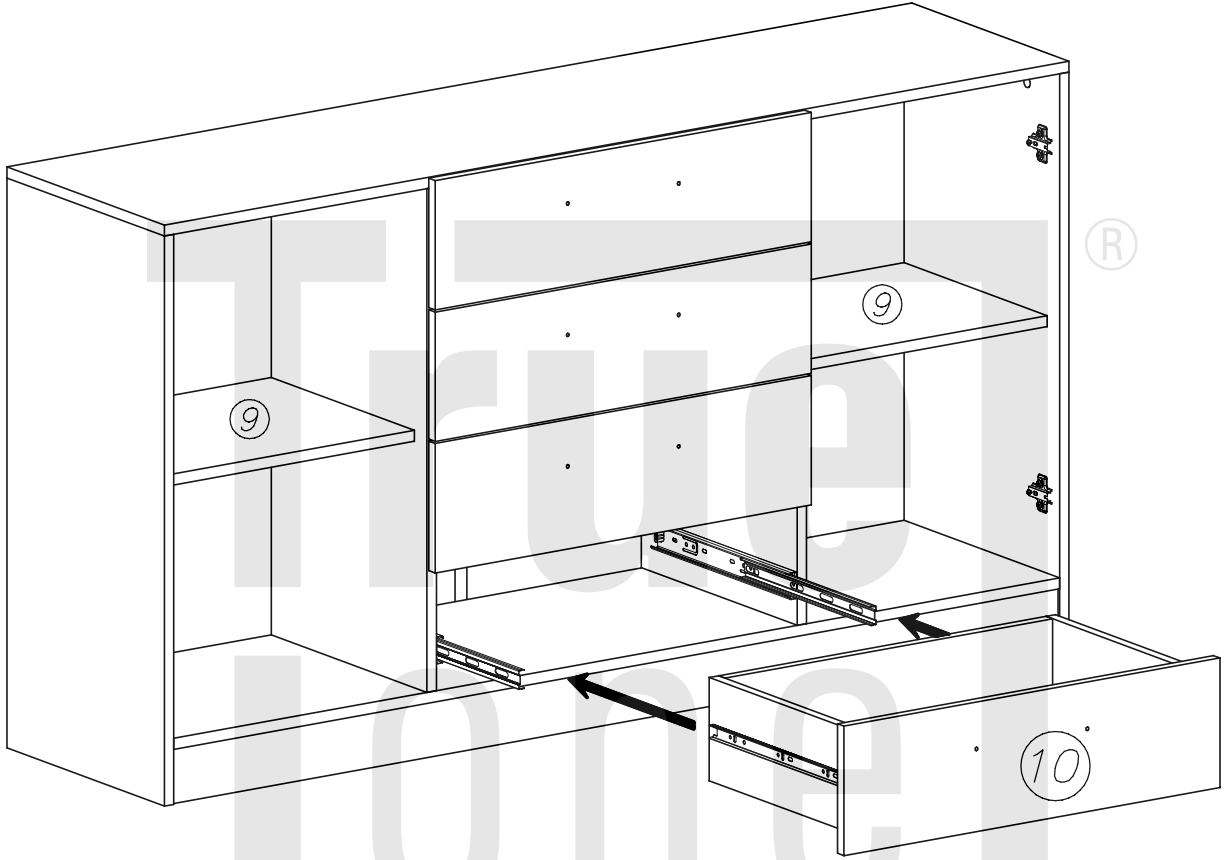
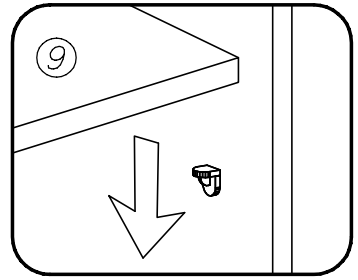


VI

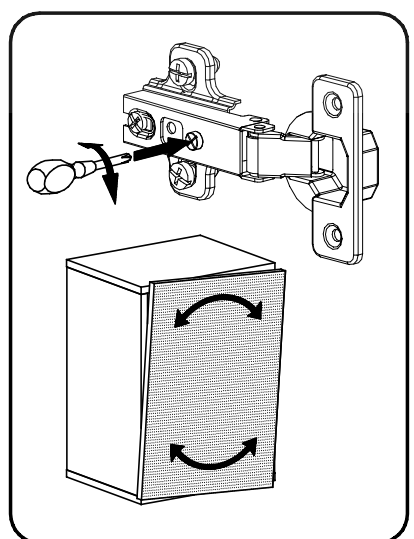
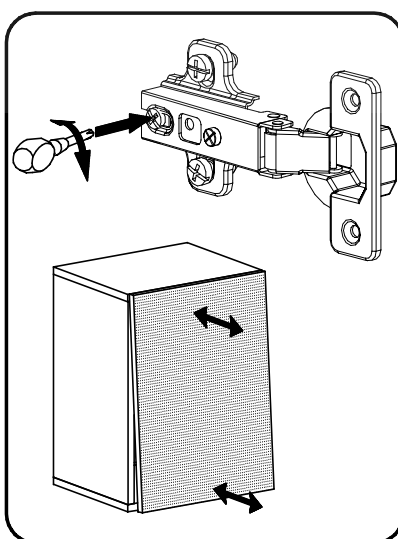
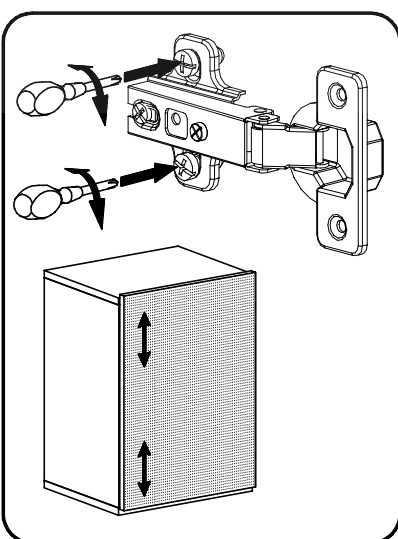
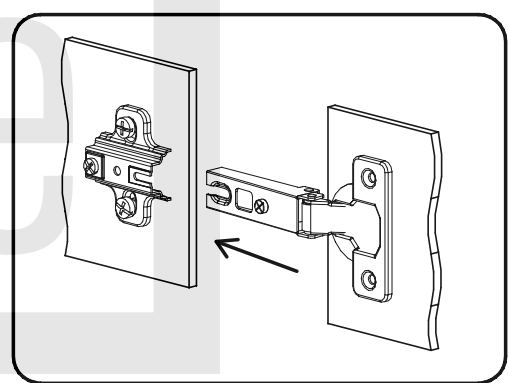
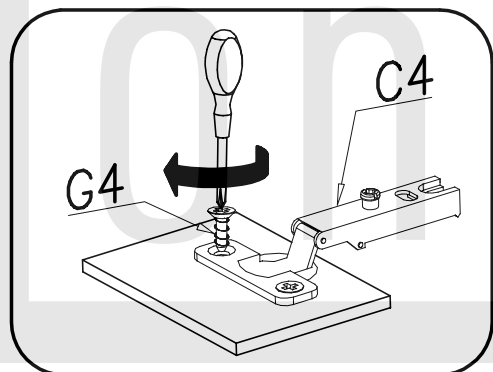
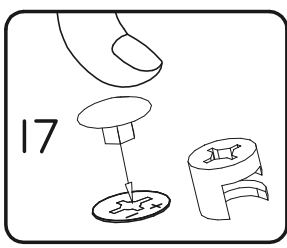
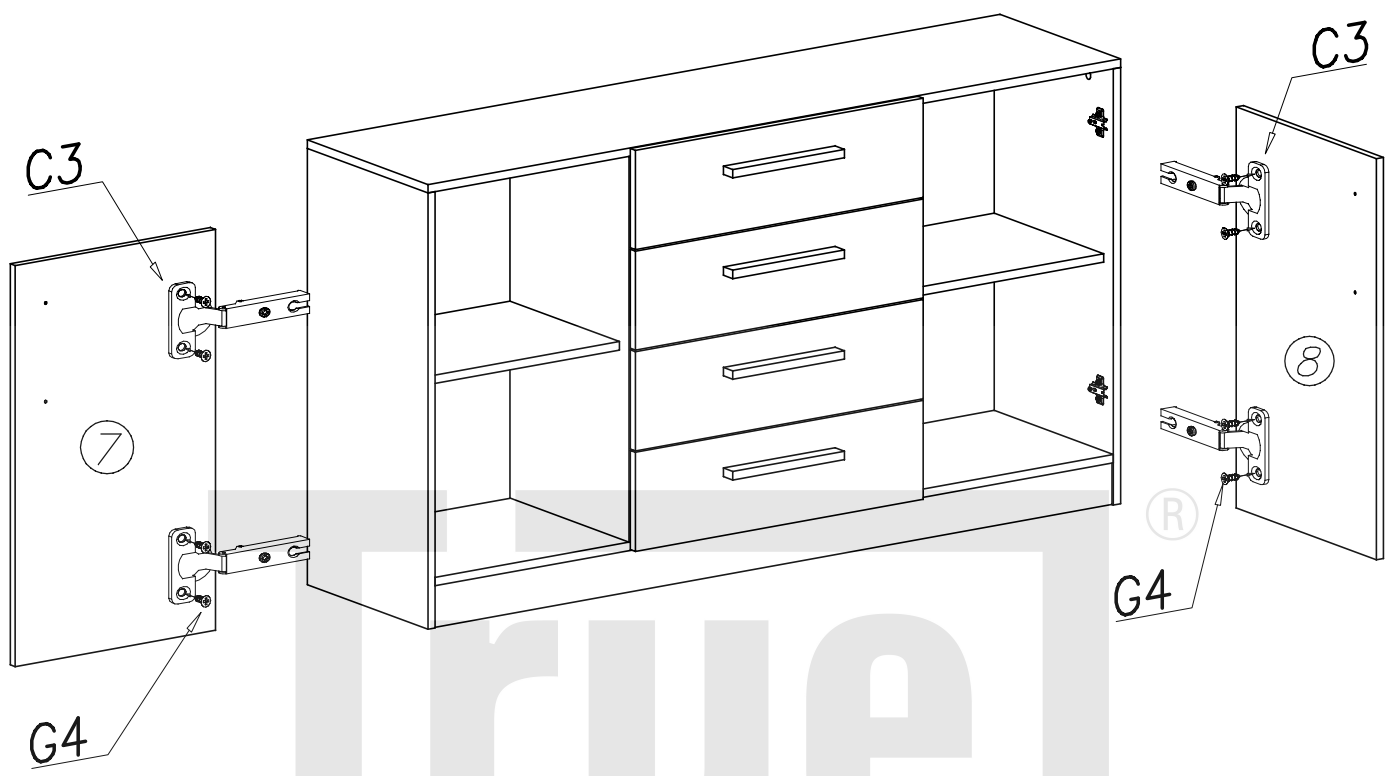
1



2

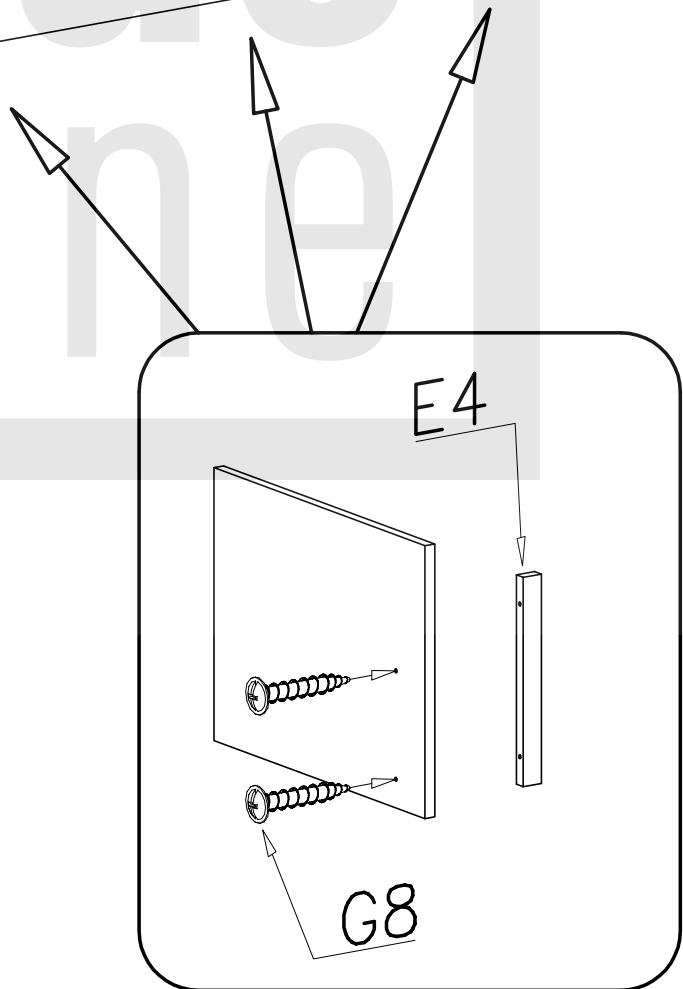
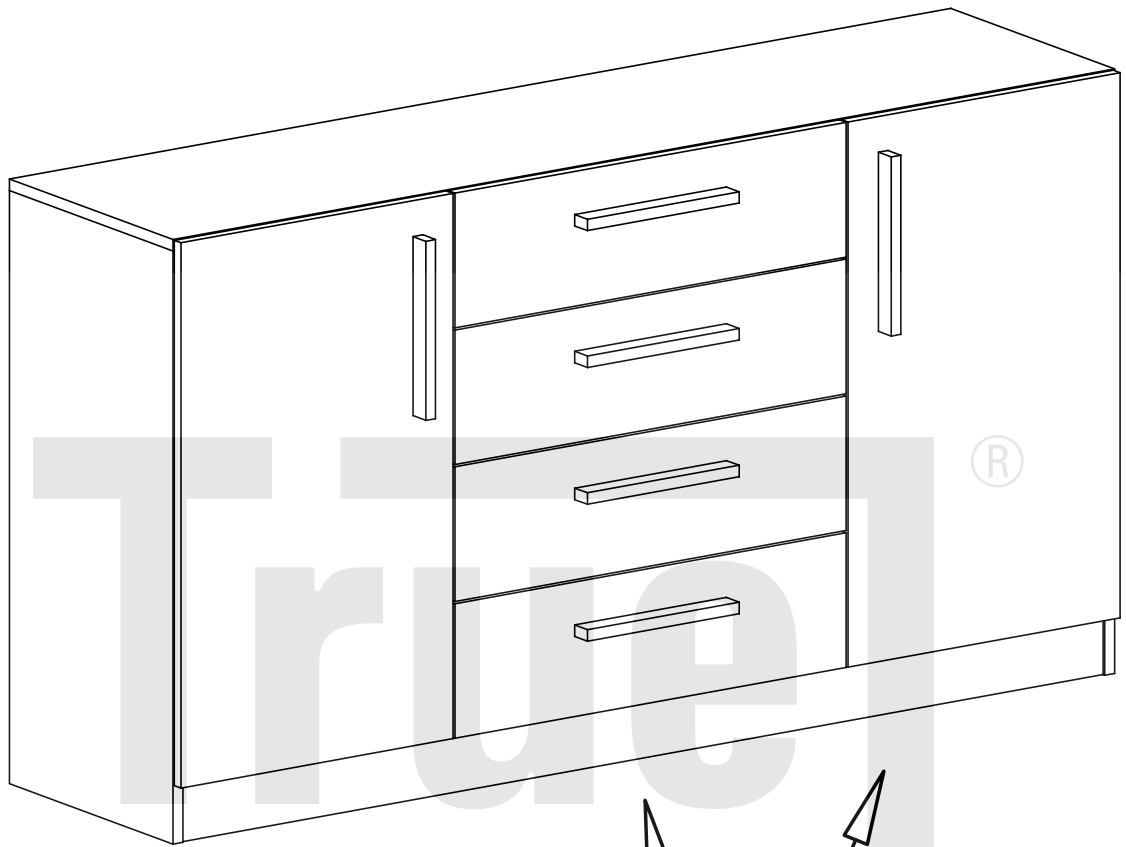


VII



VIII

A



IX

B

