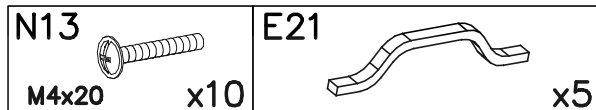
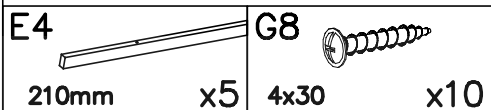
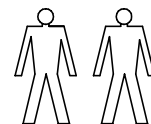
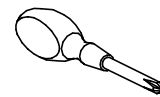
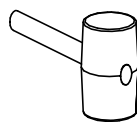
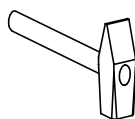
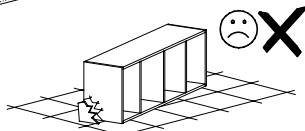
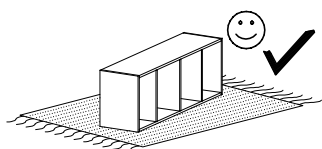
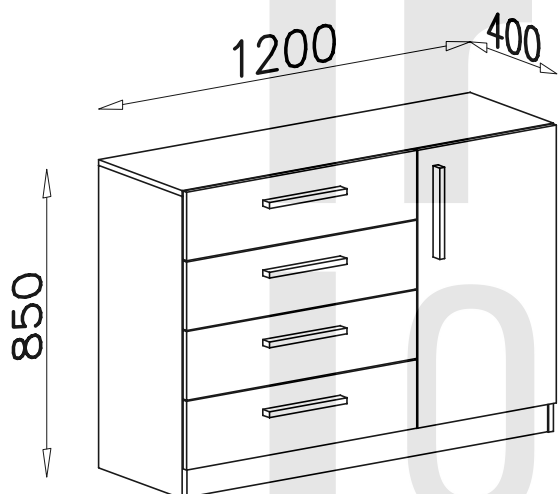


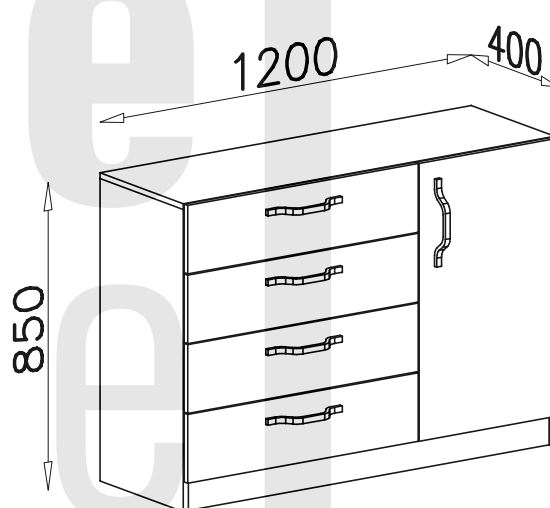
# BRAGA BRK 2




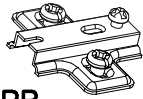
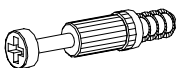


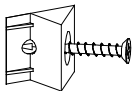
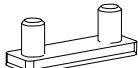

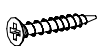
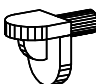
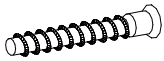

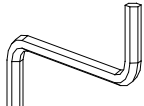

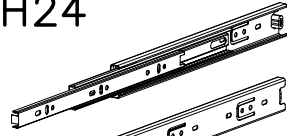


(A)

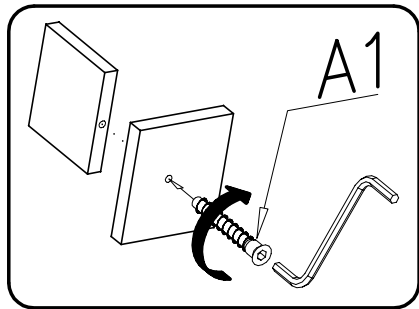
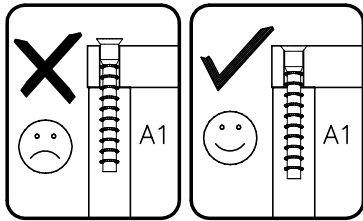
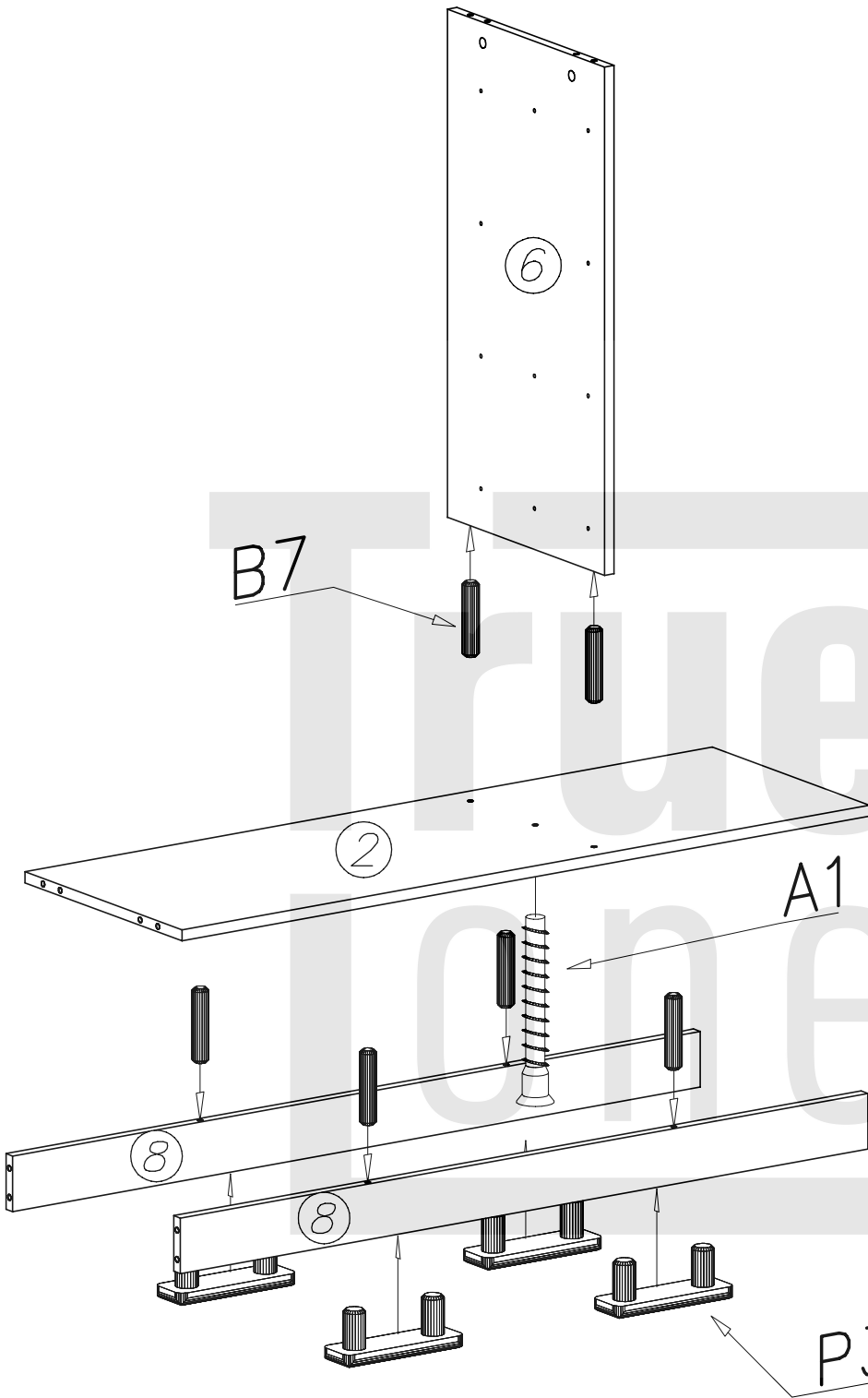
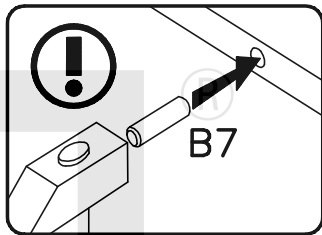
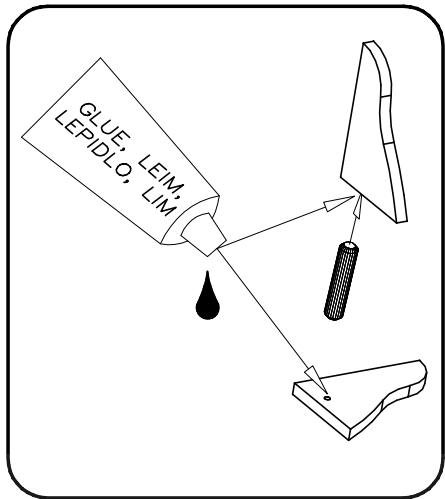


(B)

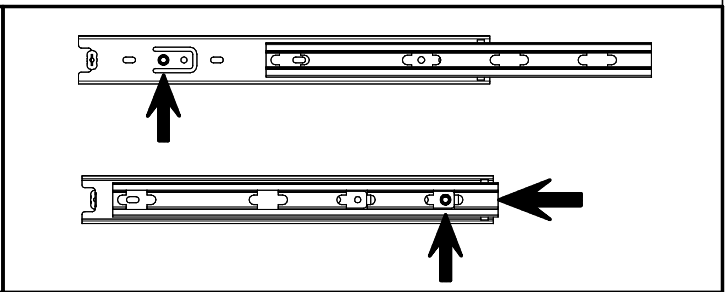
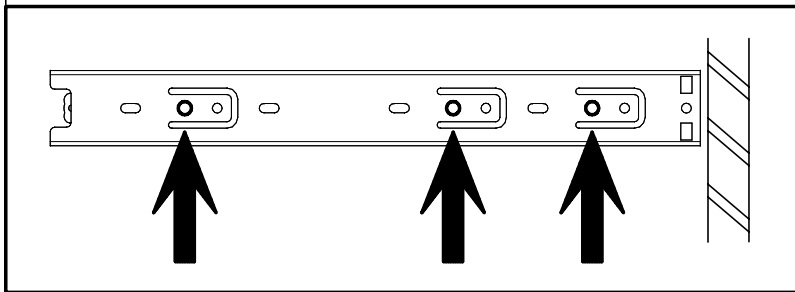
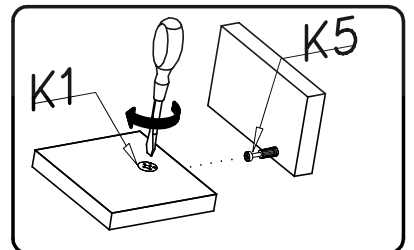
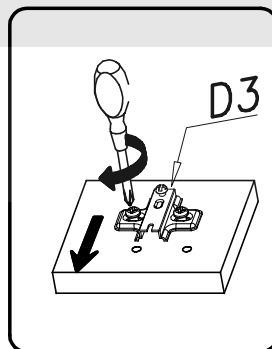
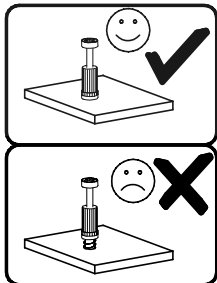
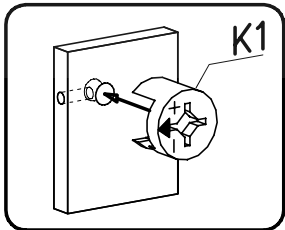
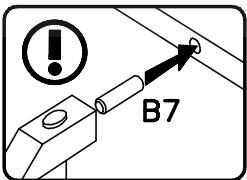
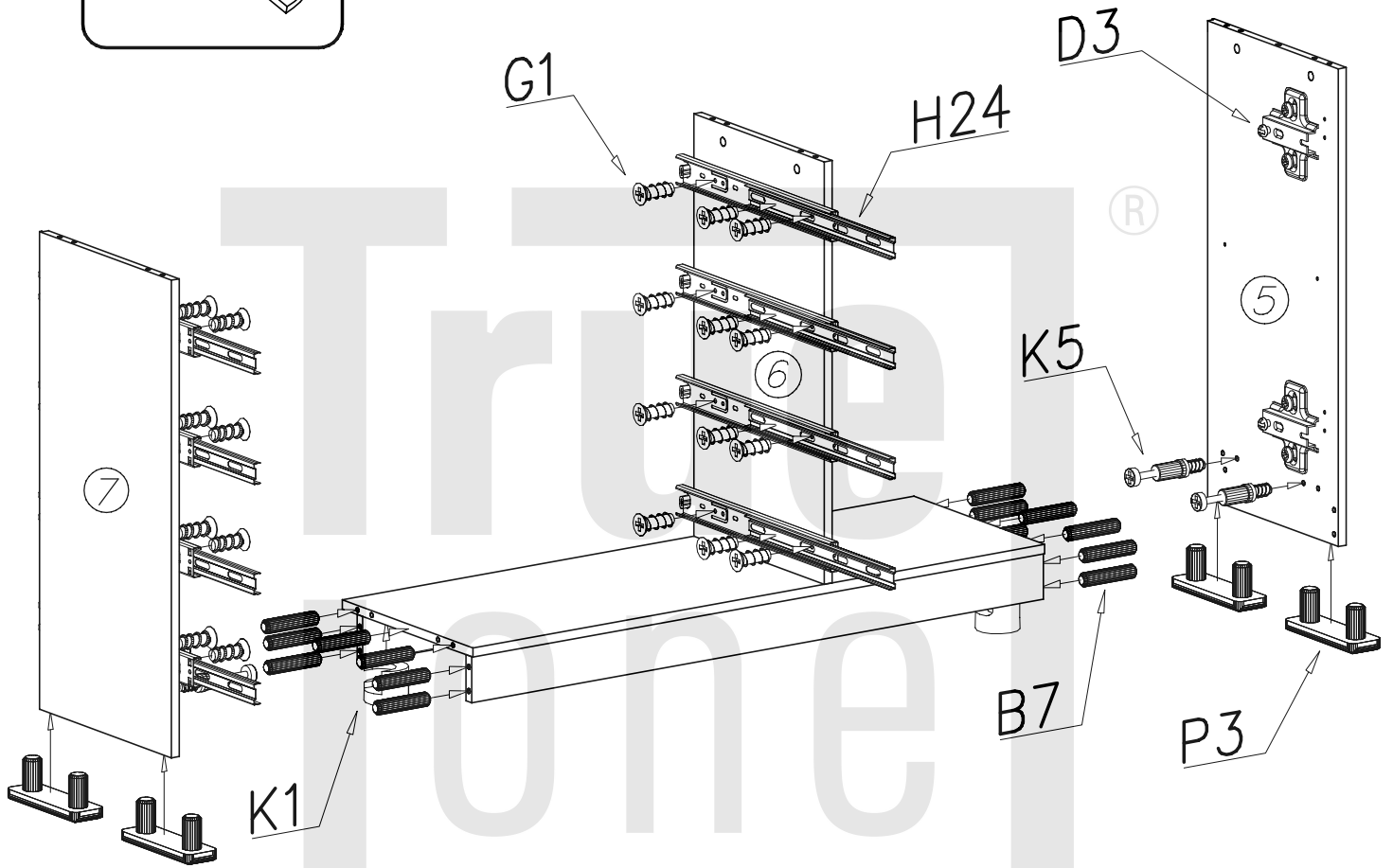
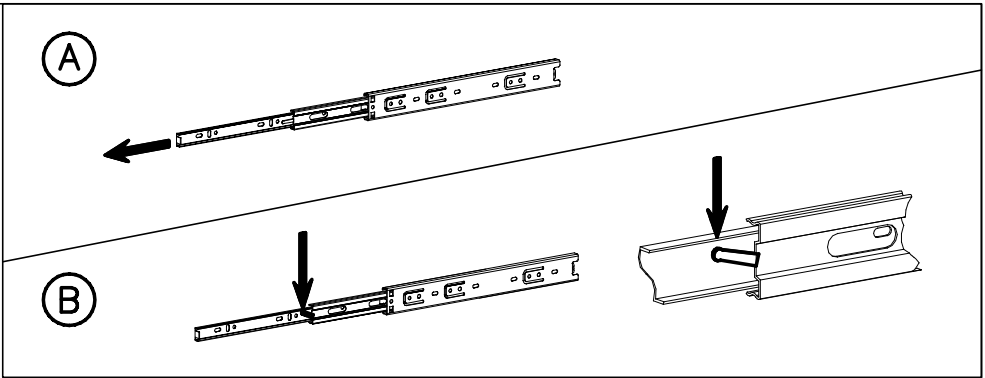
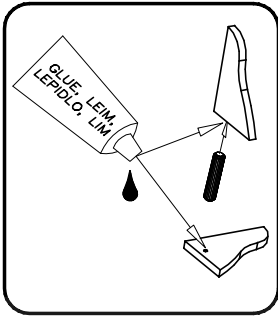


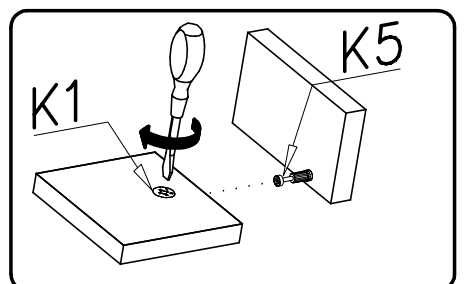
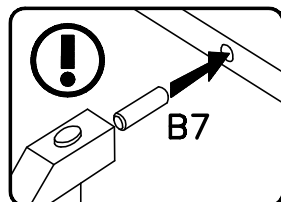
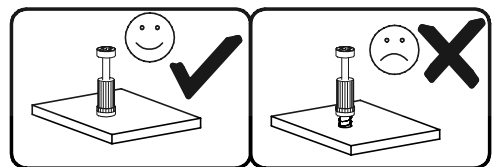
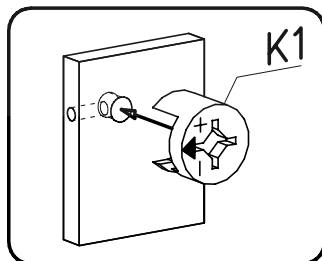
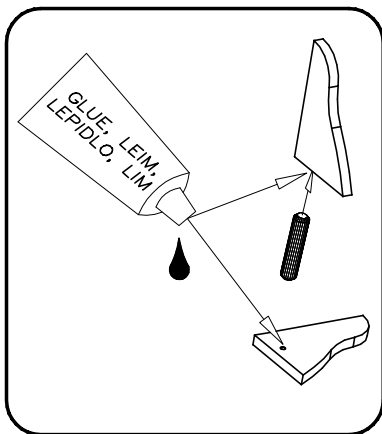
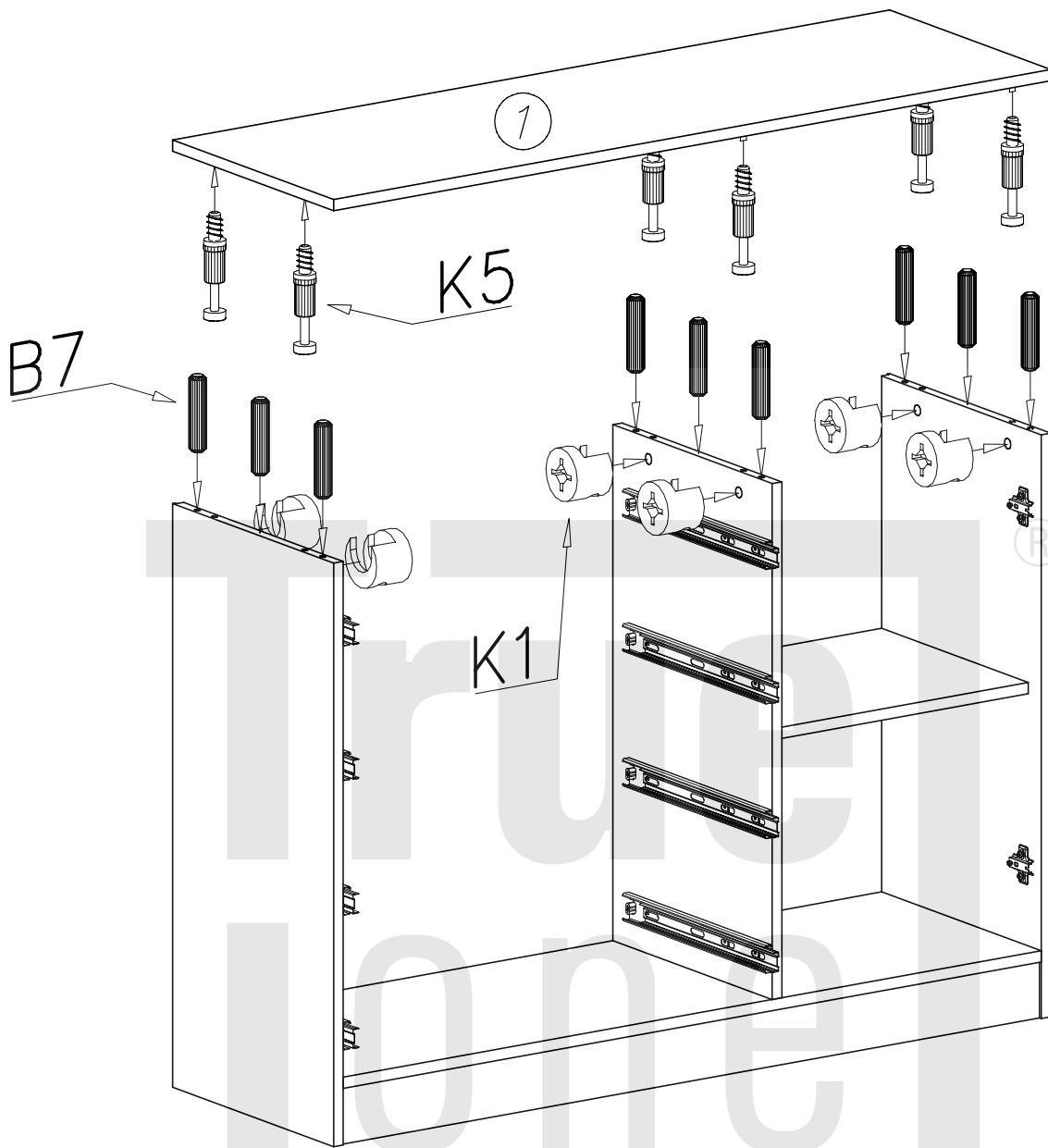
<b>K1</b>  ø15x12 x10	<b>S2</b>  x5	<b>I7</b>  ø18 x10	<b>D3</b>  PZ35PR x2
<b>K5</b>  x10	<b>W1</b>  GLUE, LEIM, LEPIDLO, LIM x3	<b>G1</b>  4x13 x40	<b>I1</b>  x16
<b>P3</b>  x8	<b>G4</b>  4x16 x4	<b>G2</b>  3x20 x50	<b>F1</b>  x4
<b>A1</b>  ø7x50 x1	<b>B7</b>  ø8x30 x61	<b>W2</b>  x1	<b>S1</b>  729mm x1
			<b>H24</b>  350mm x4

1

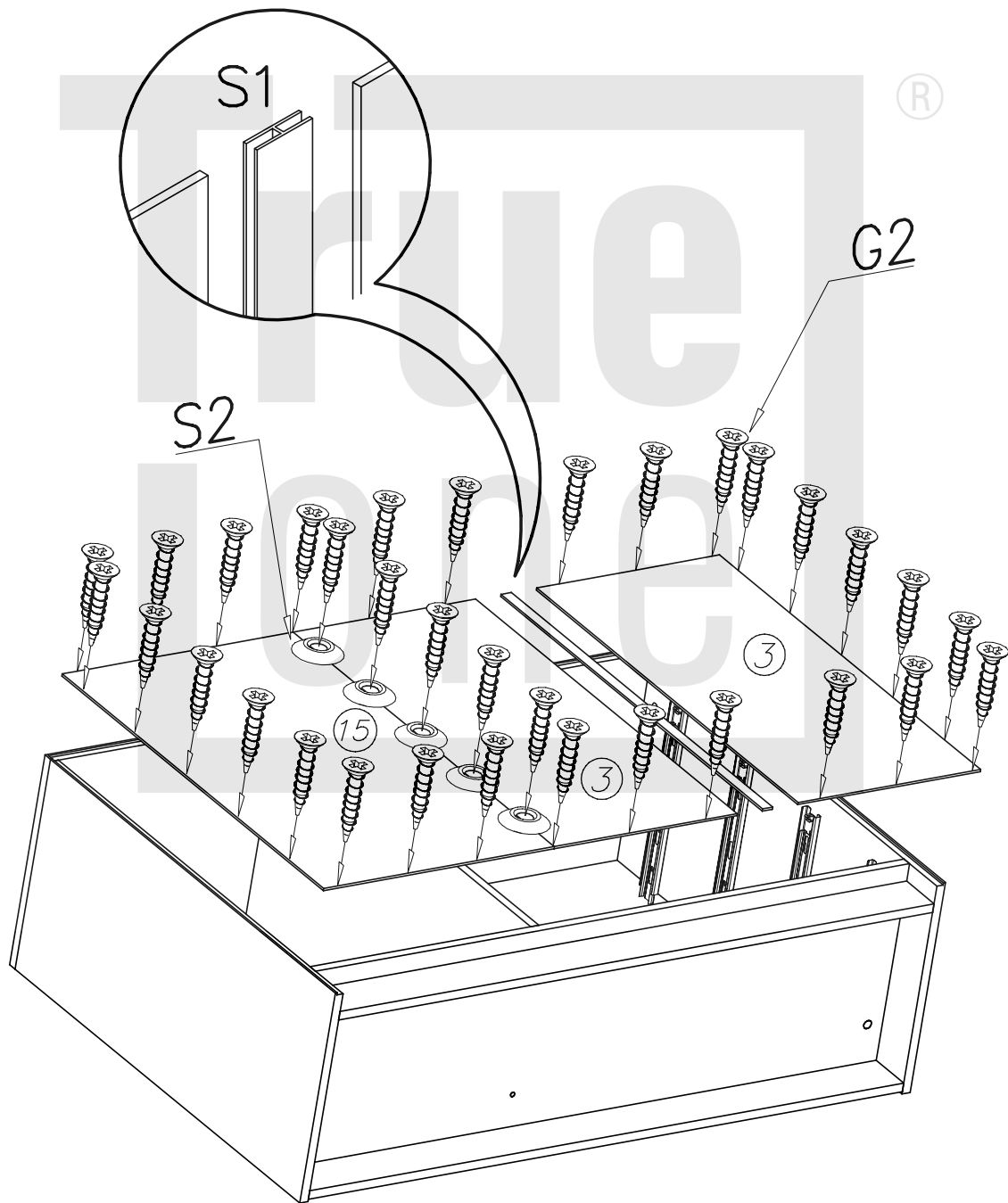
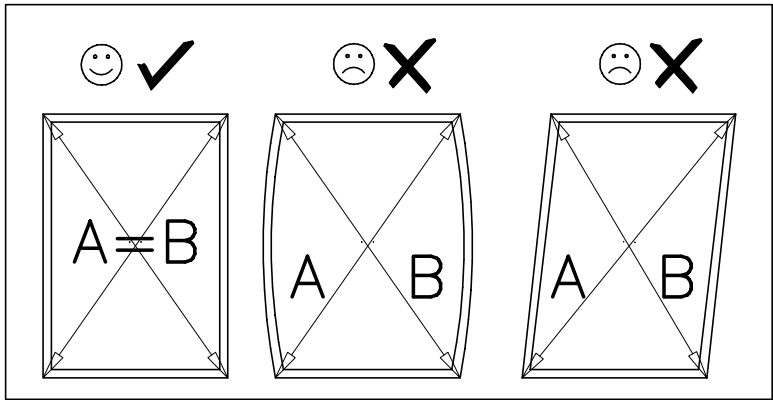


II

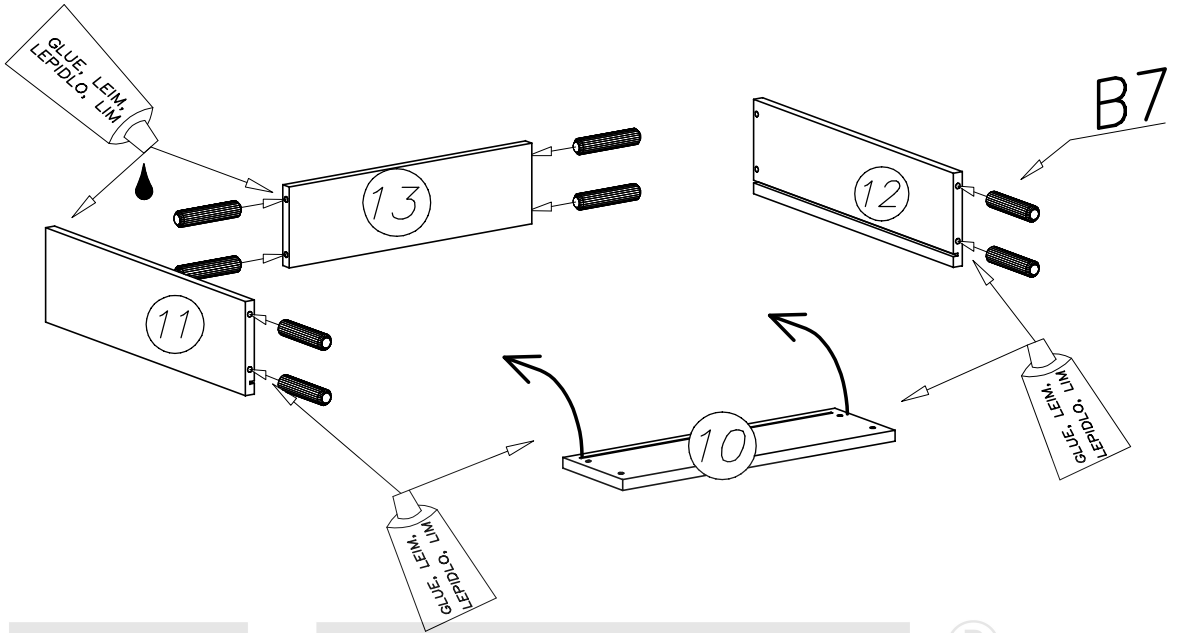




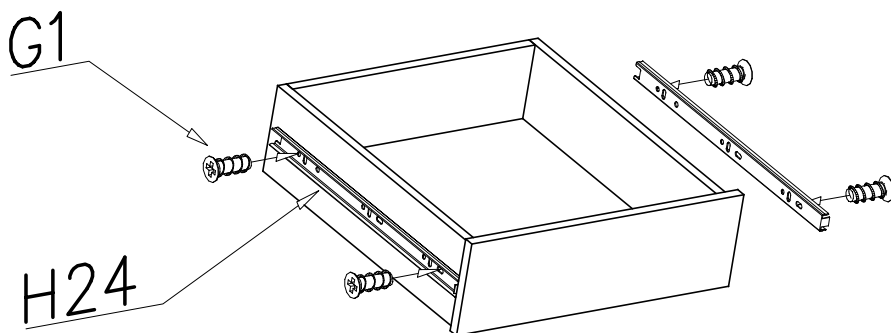
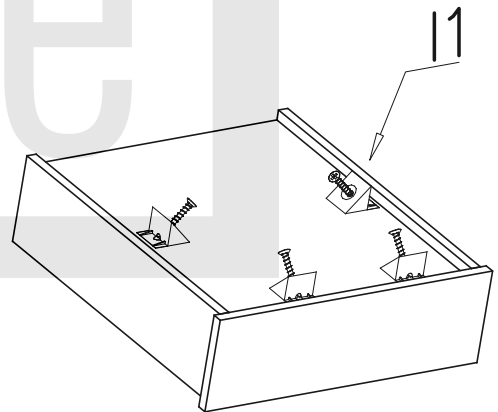
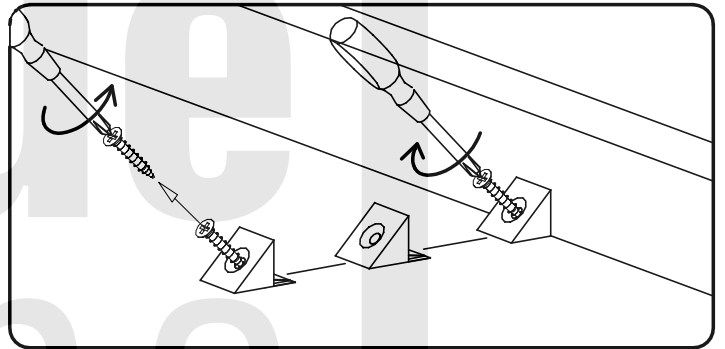
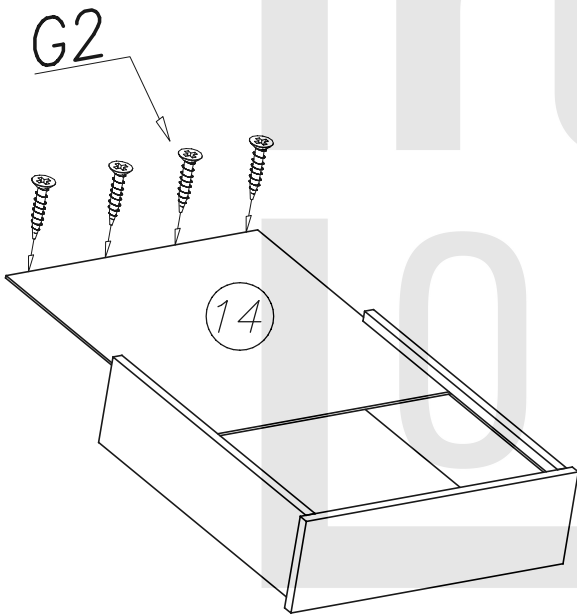
IV



V

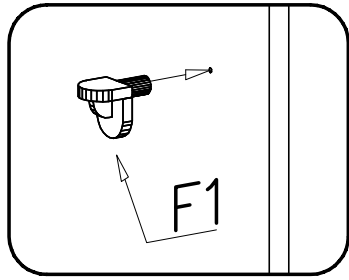


®

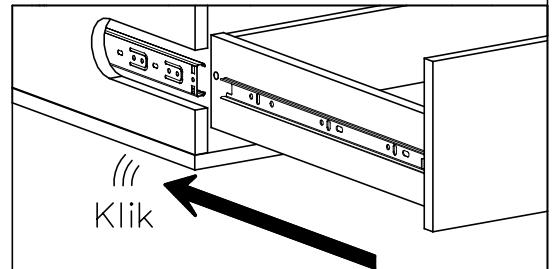
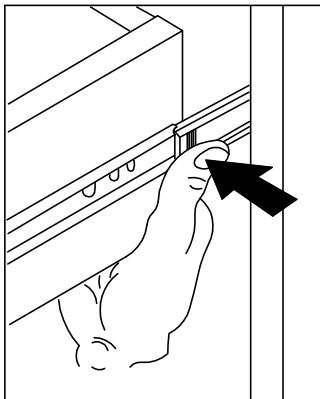
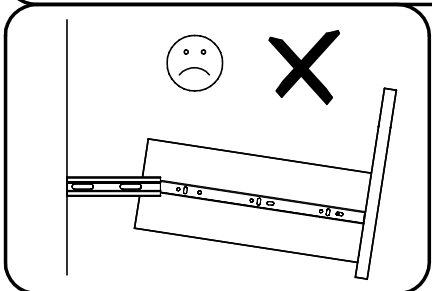
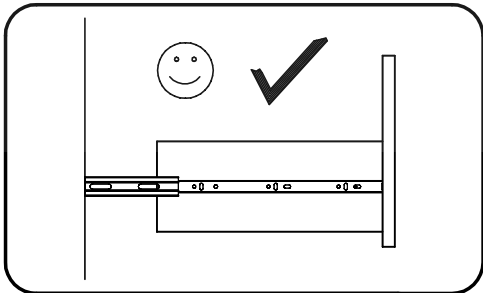
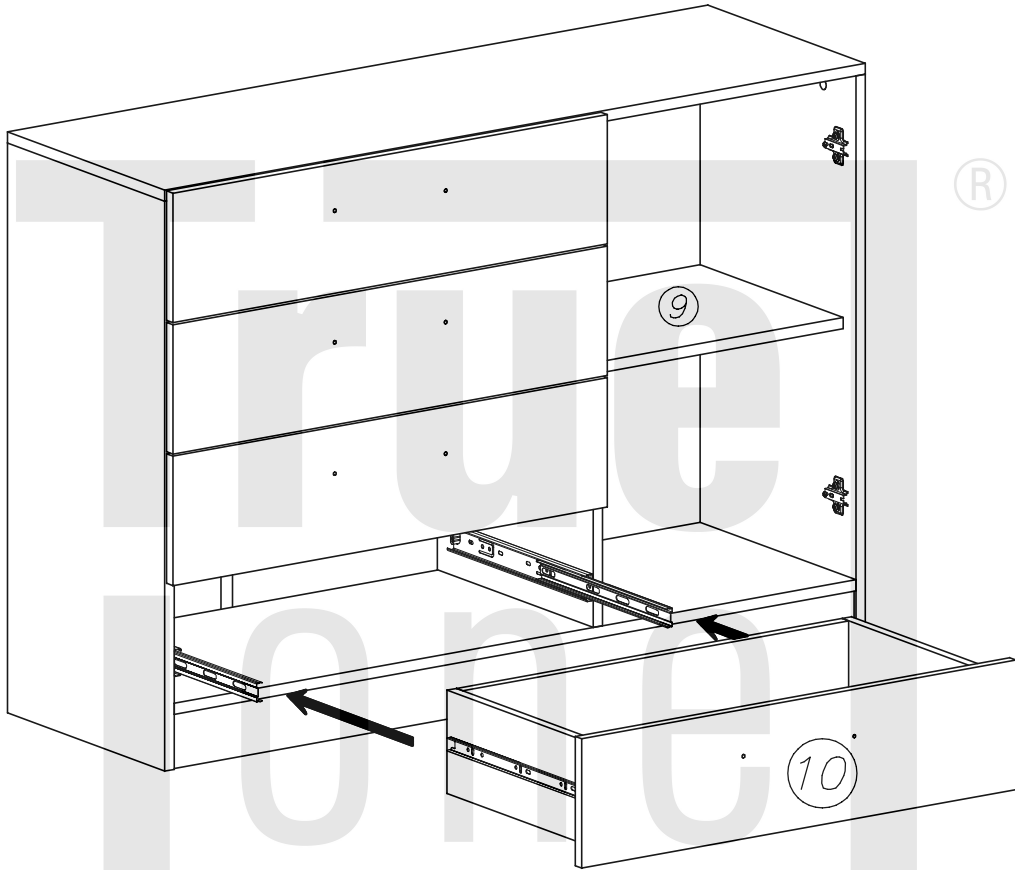
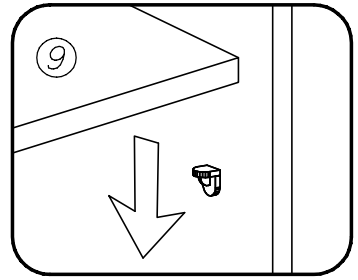


VI

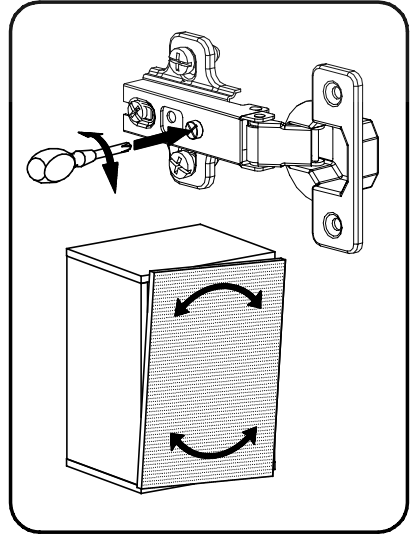
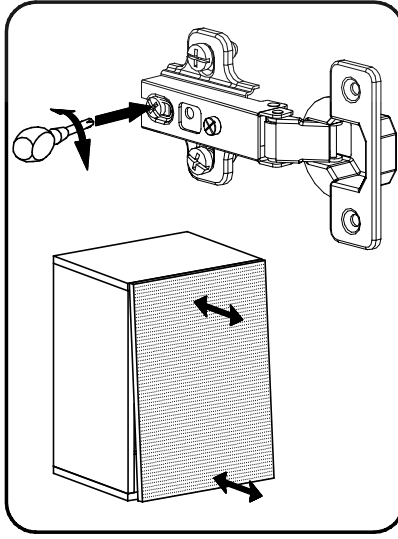
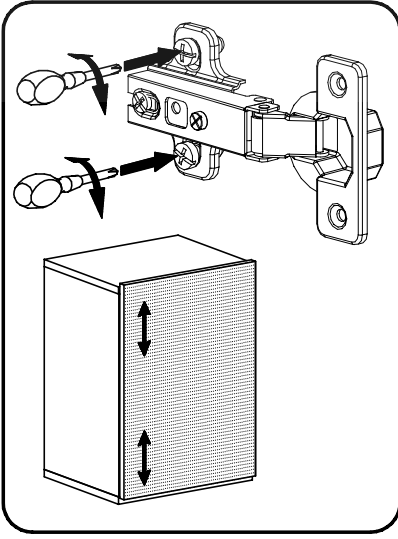
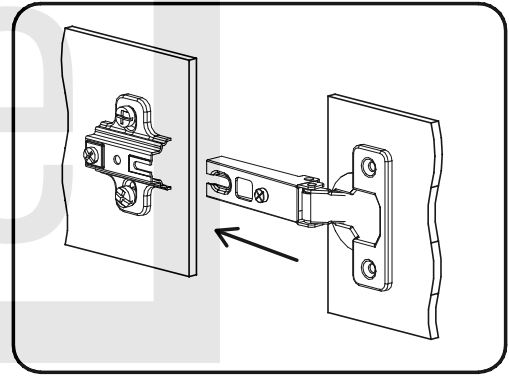
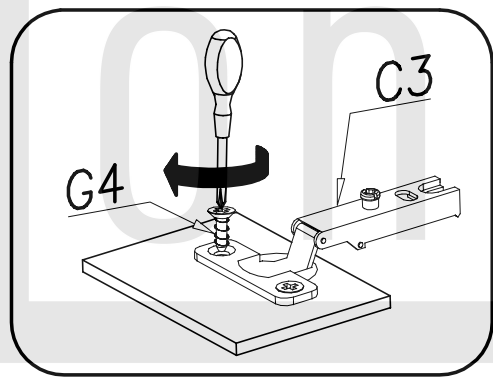
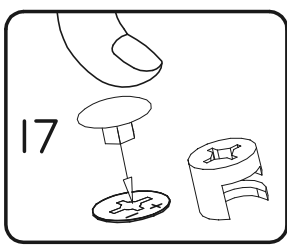
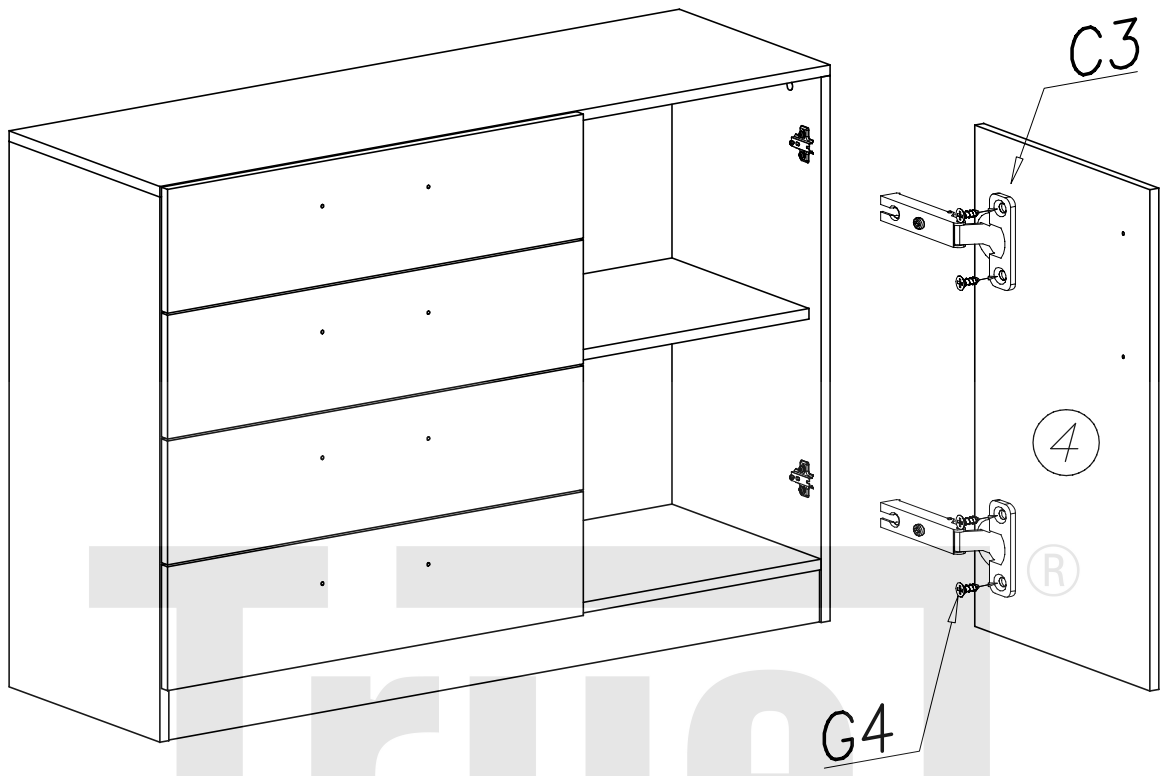
1



2

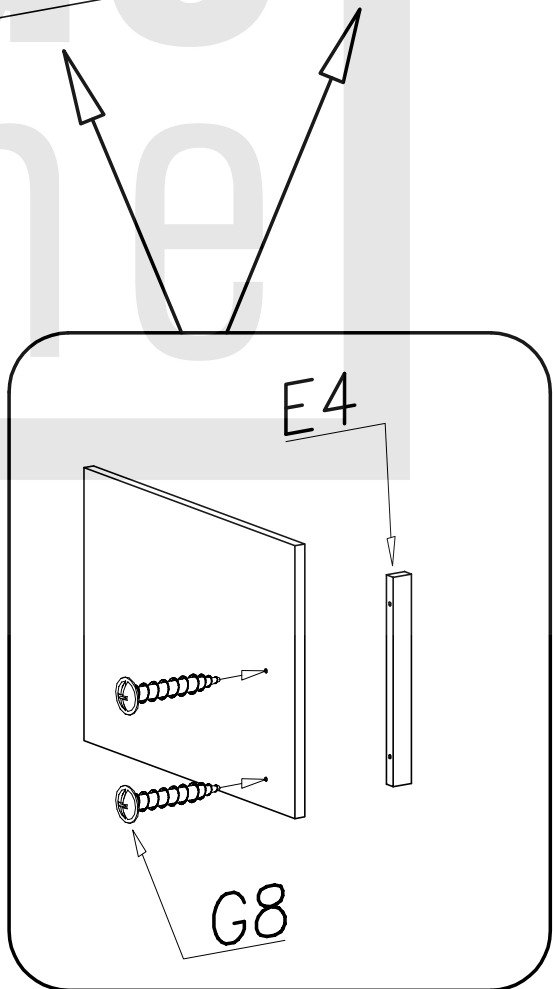
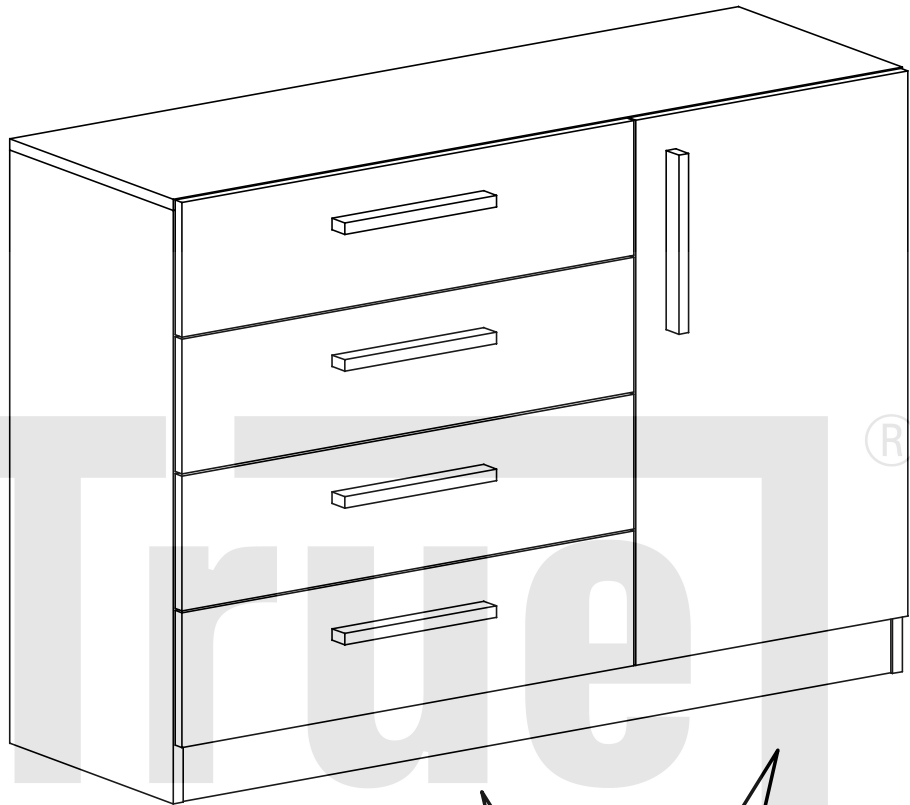


VII



VIII

A



IX

B

