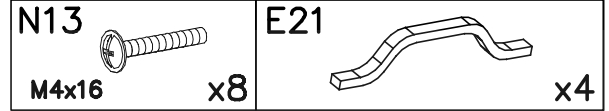
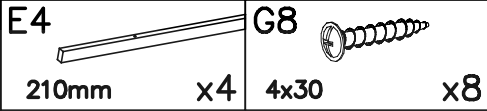
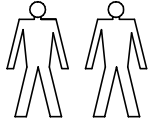
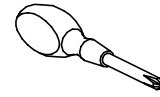
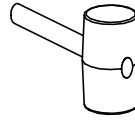
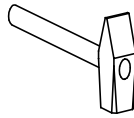
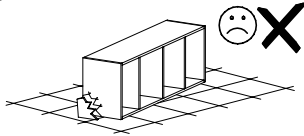
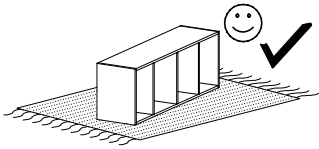


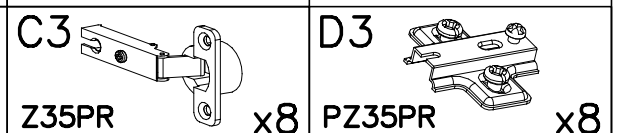
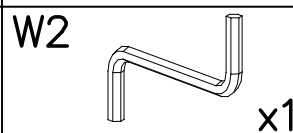
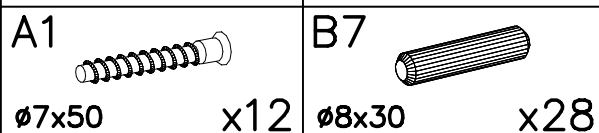
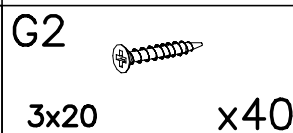
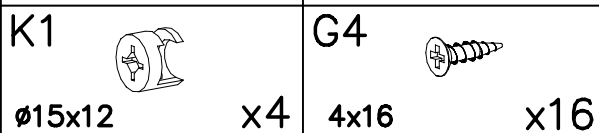
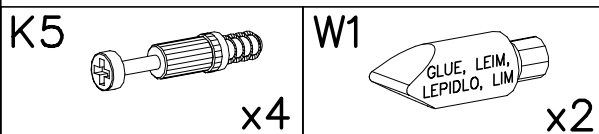
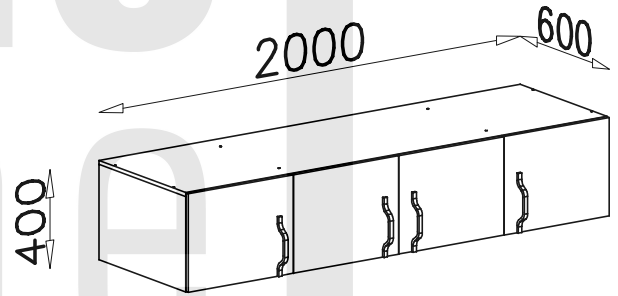
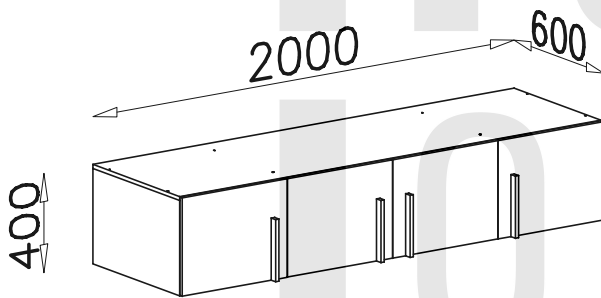
BRAGA BRN 1



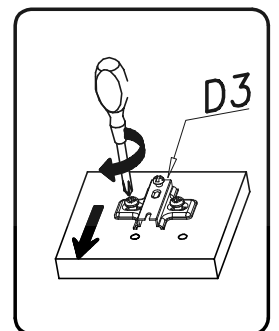
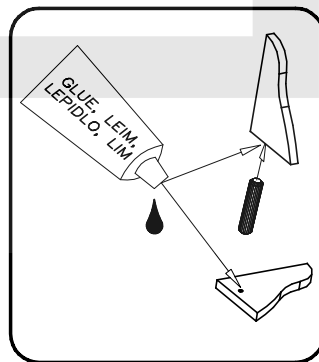
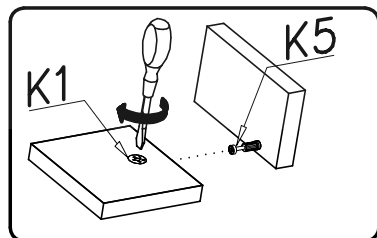
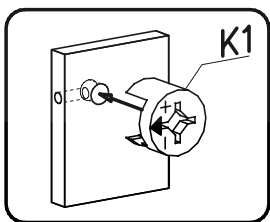
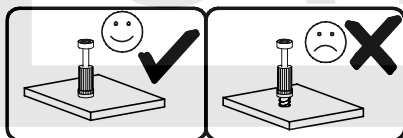
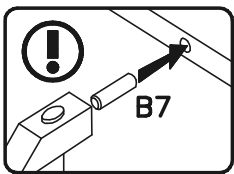
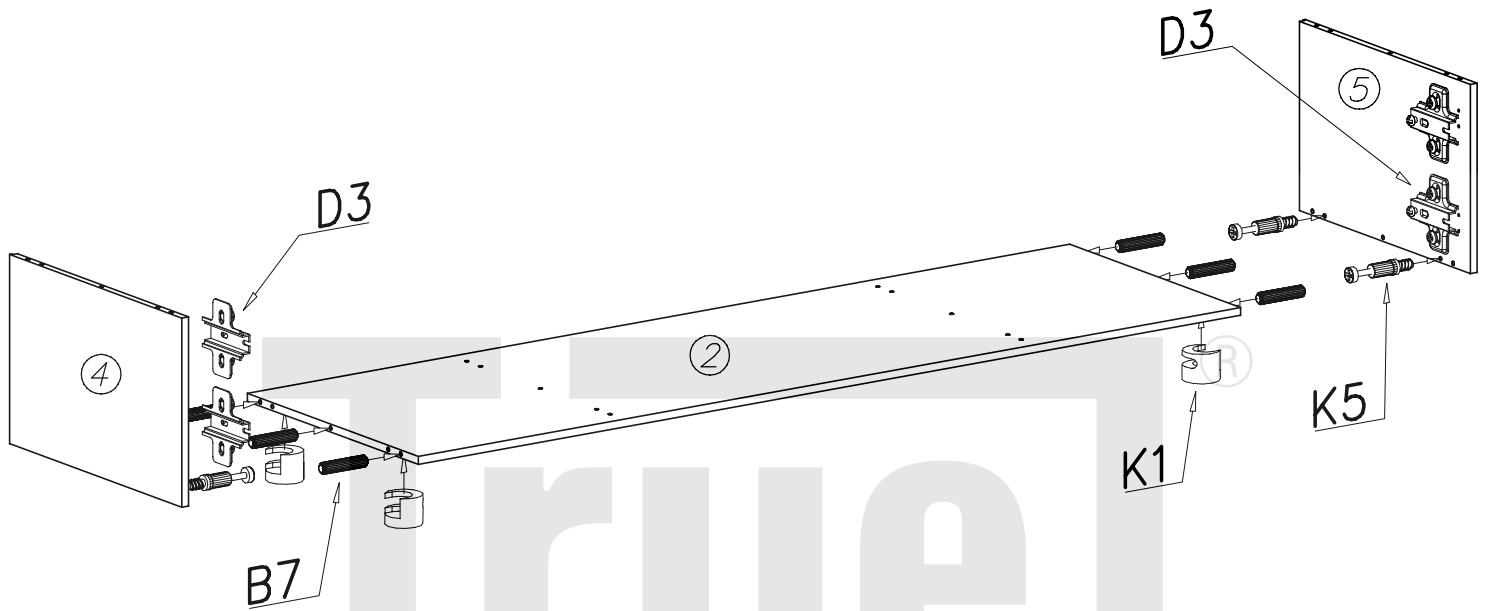
(A)

(B)

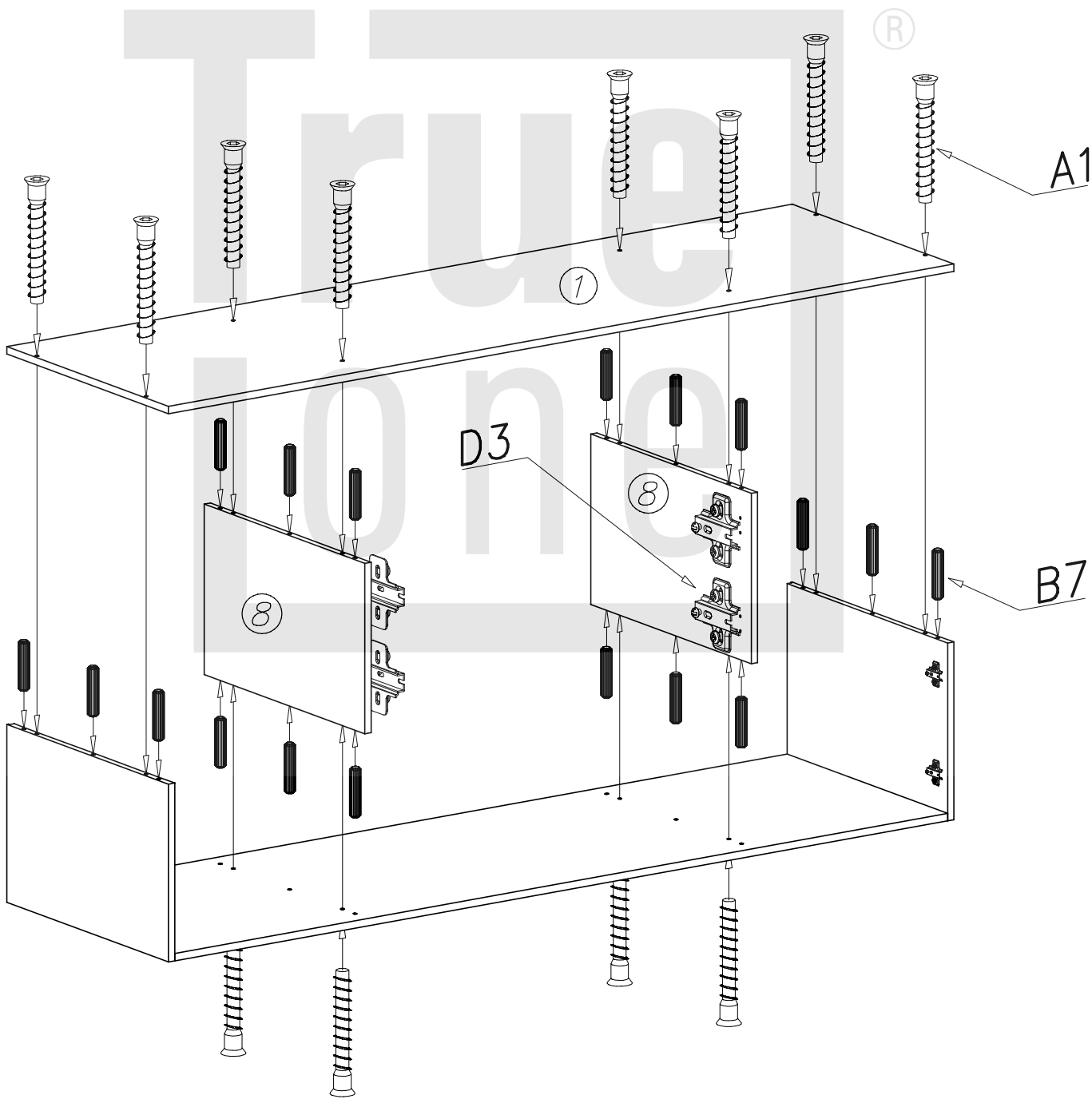
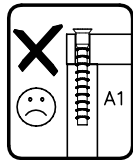
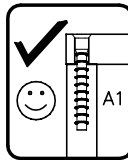
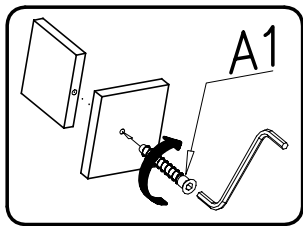
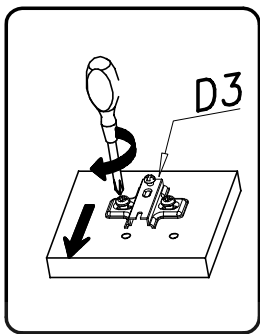
(R)



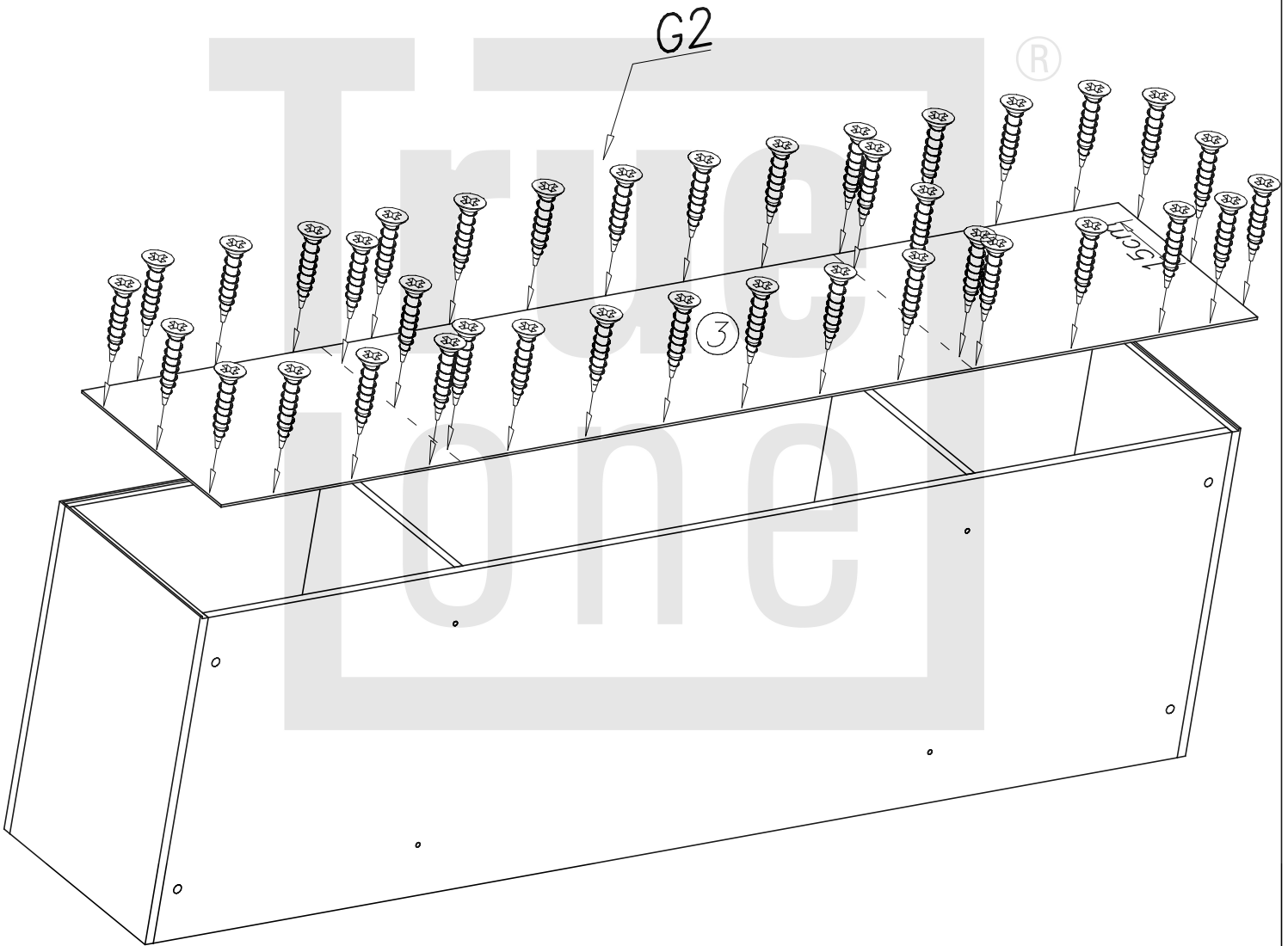
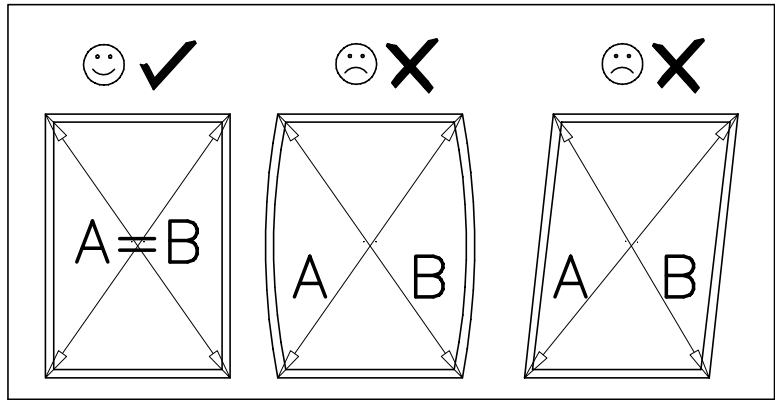
1

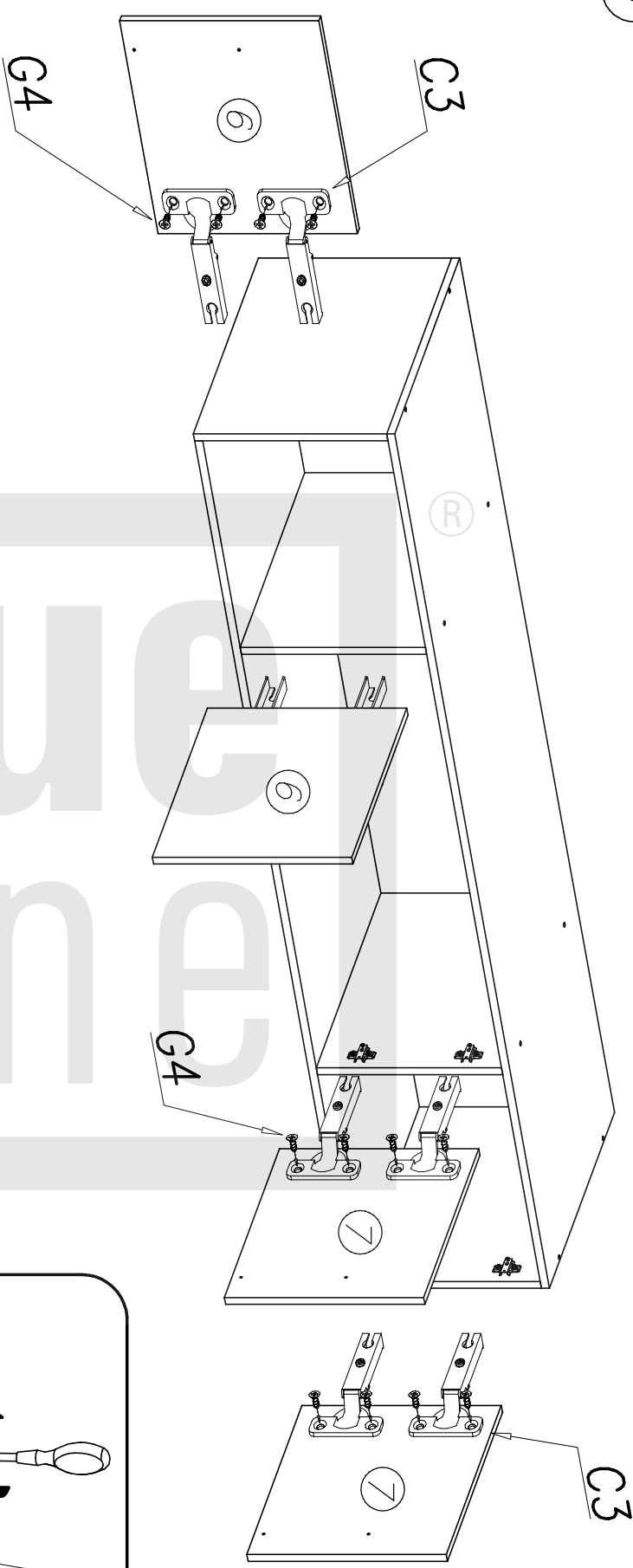
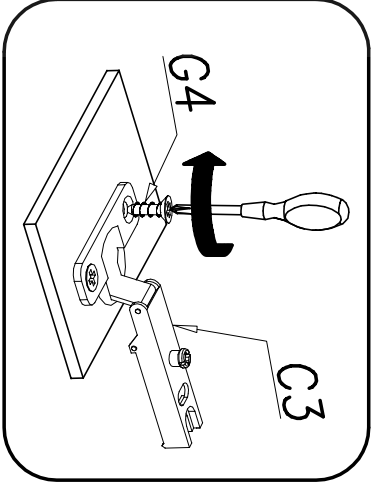
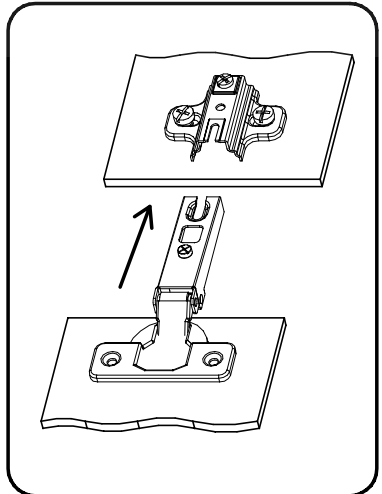
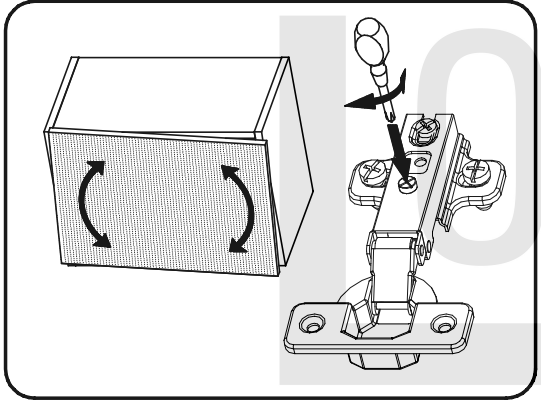
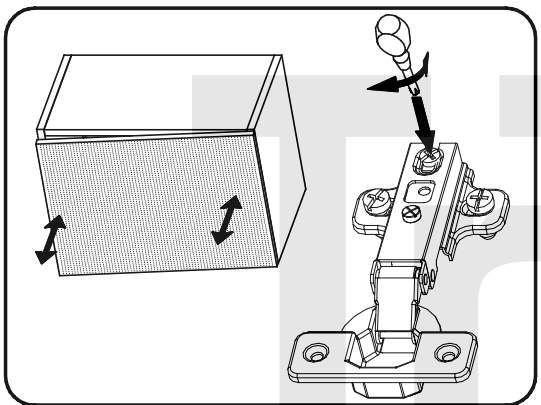
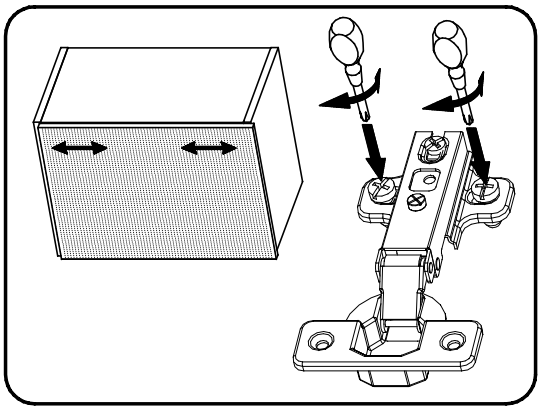


II



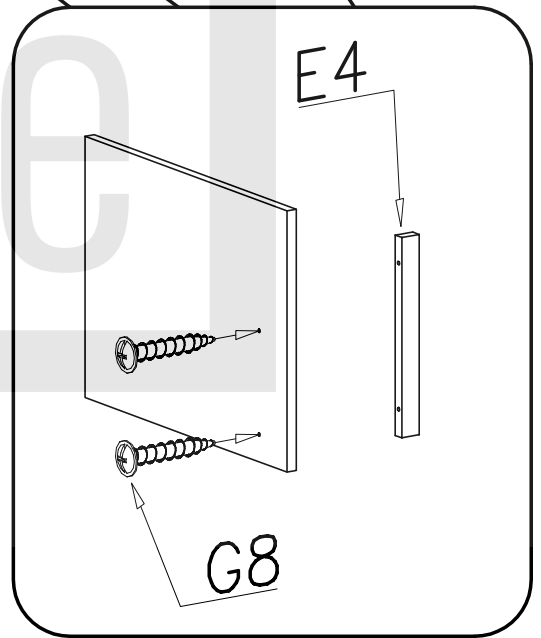
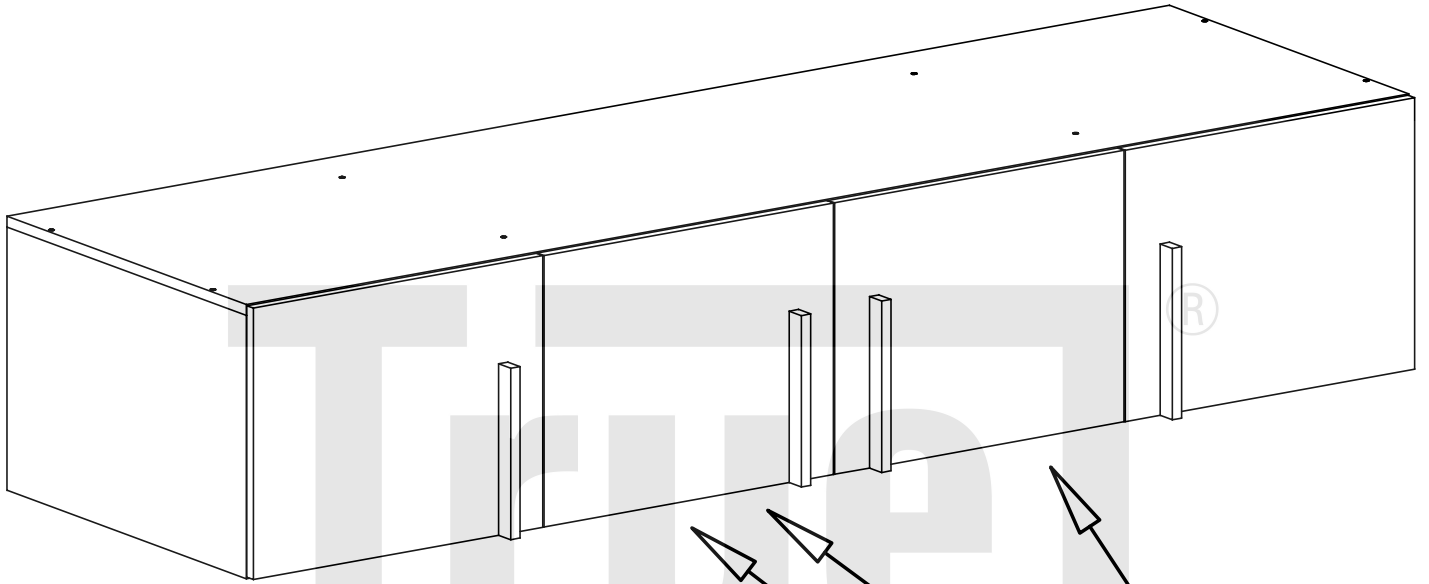
III





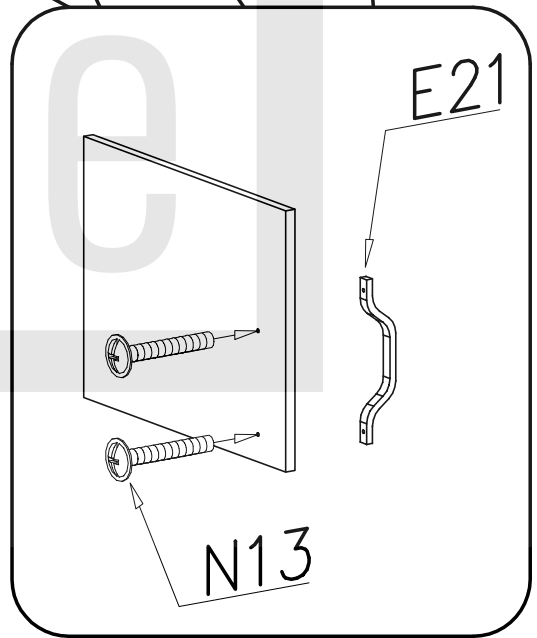
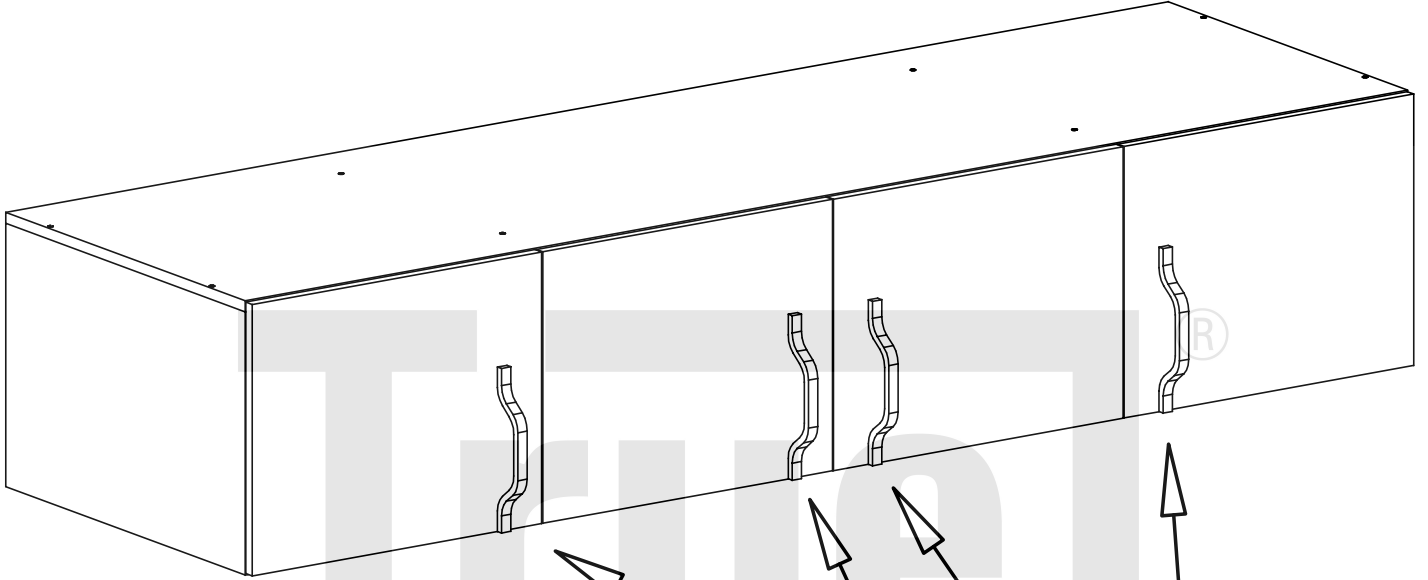
V

A



VI

A



VII

BRN 1

