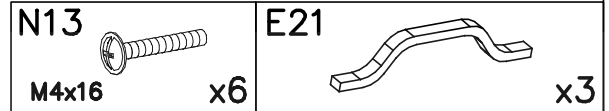
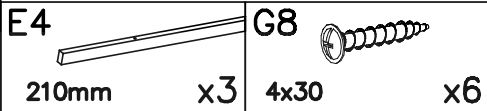
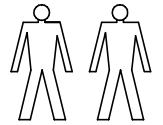
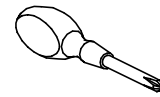
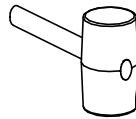
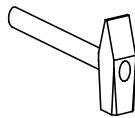
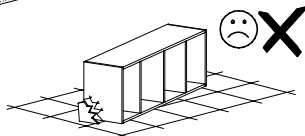
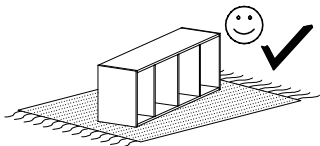


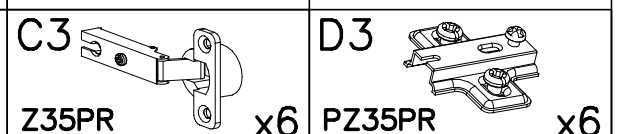
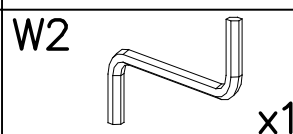
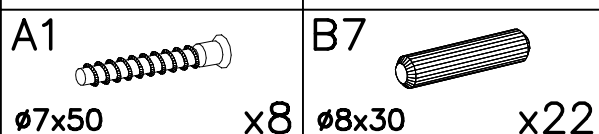
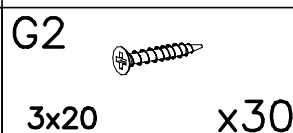
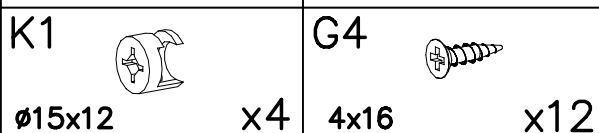
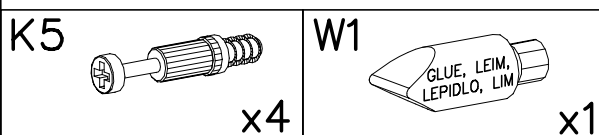
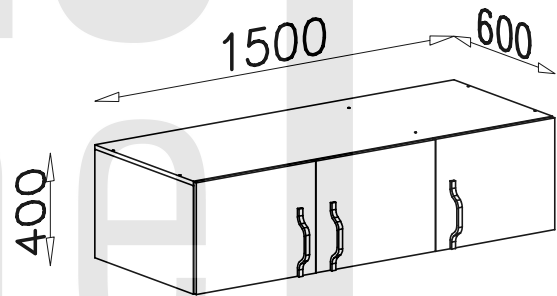
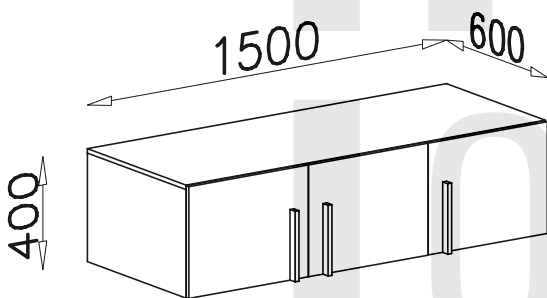
BRAGA BRN 2



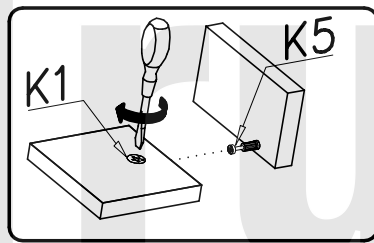
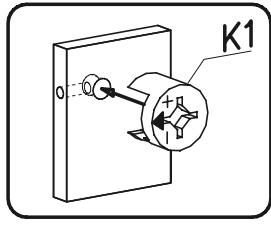
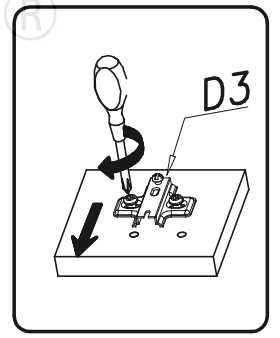
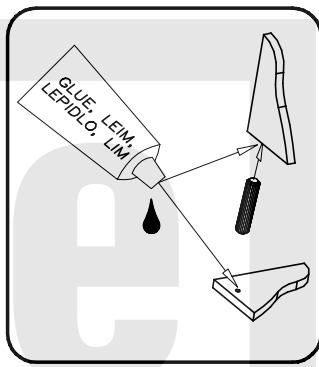
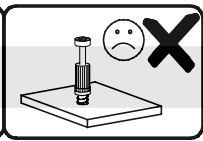
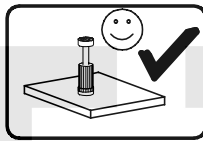
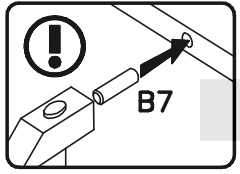
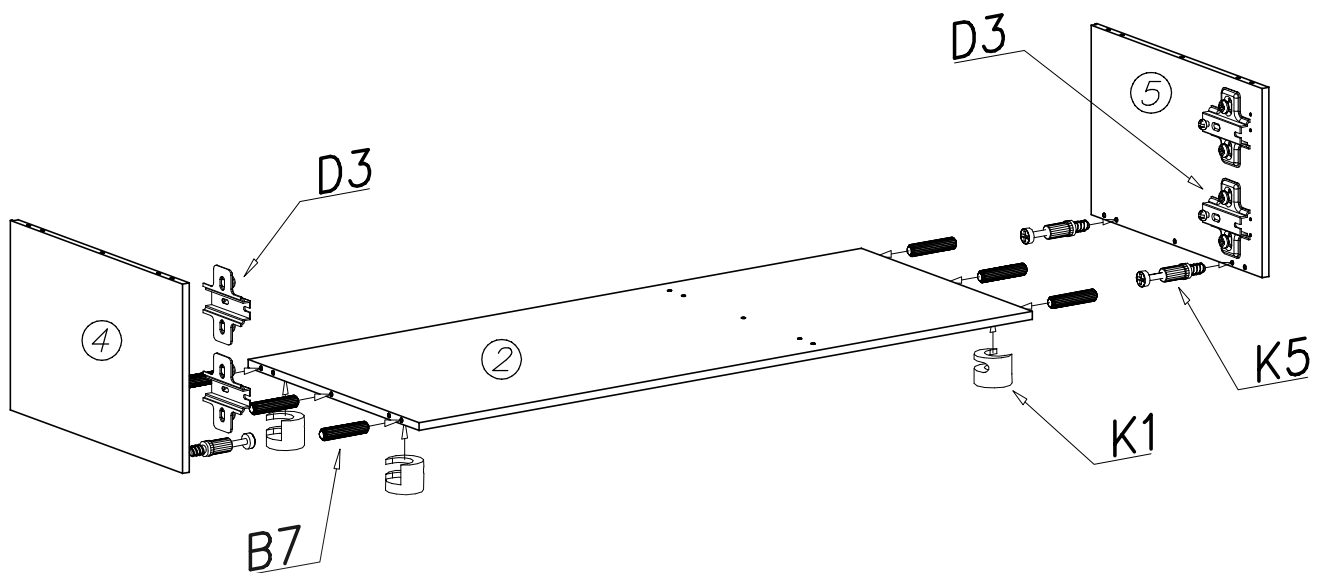
(A)

(B)

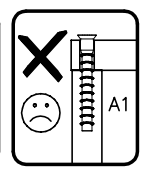
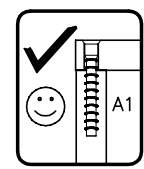
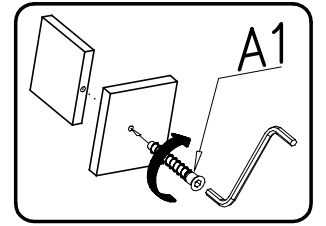
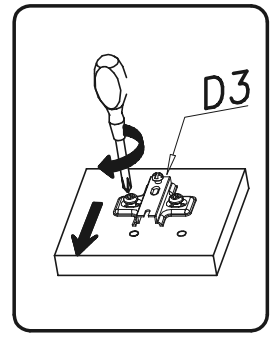
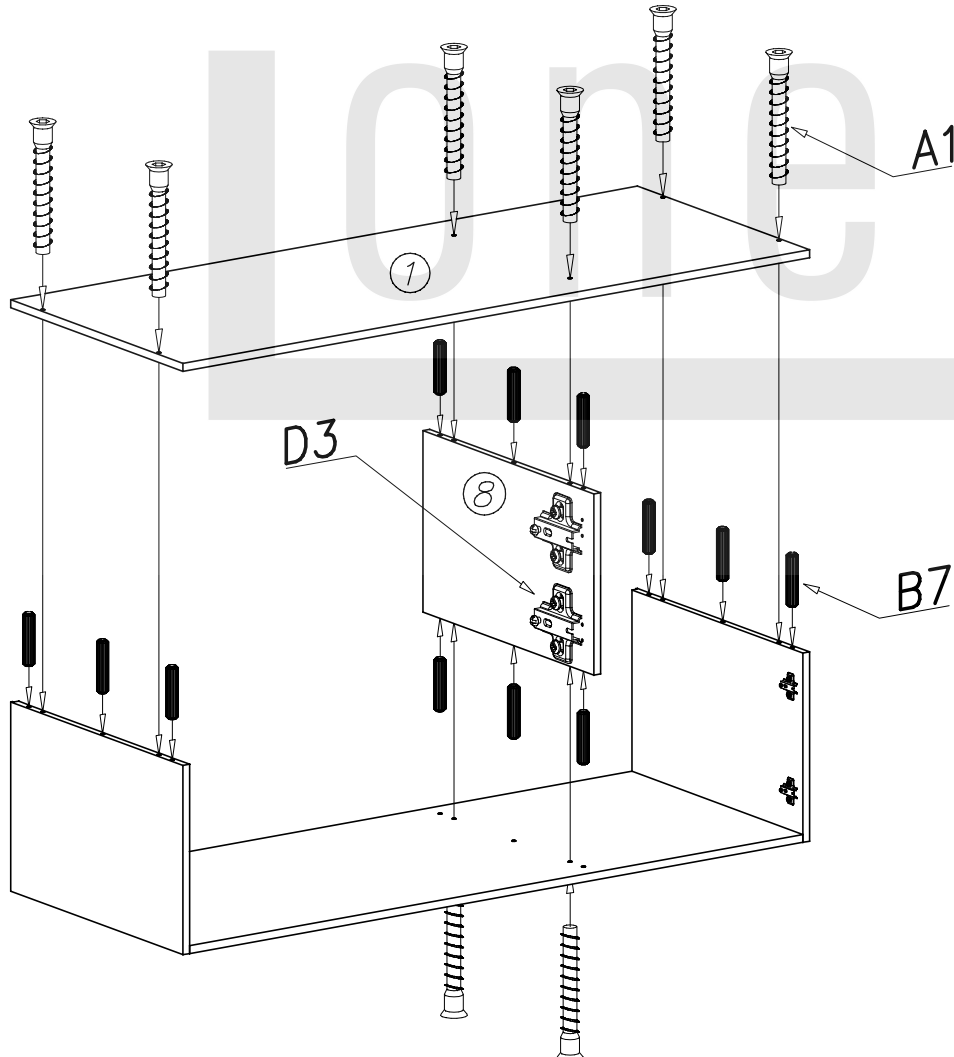
(R)

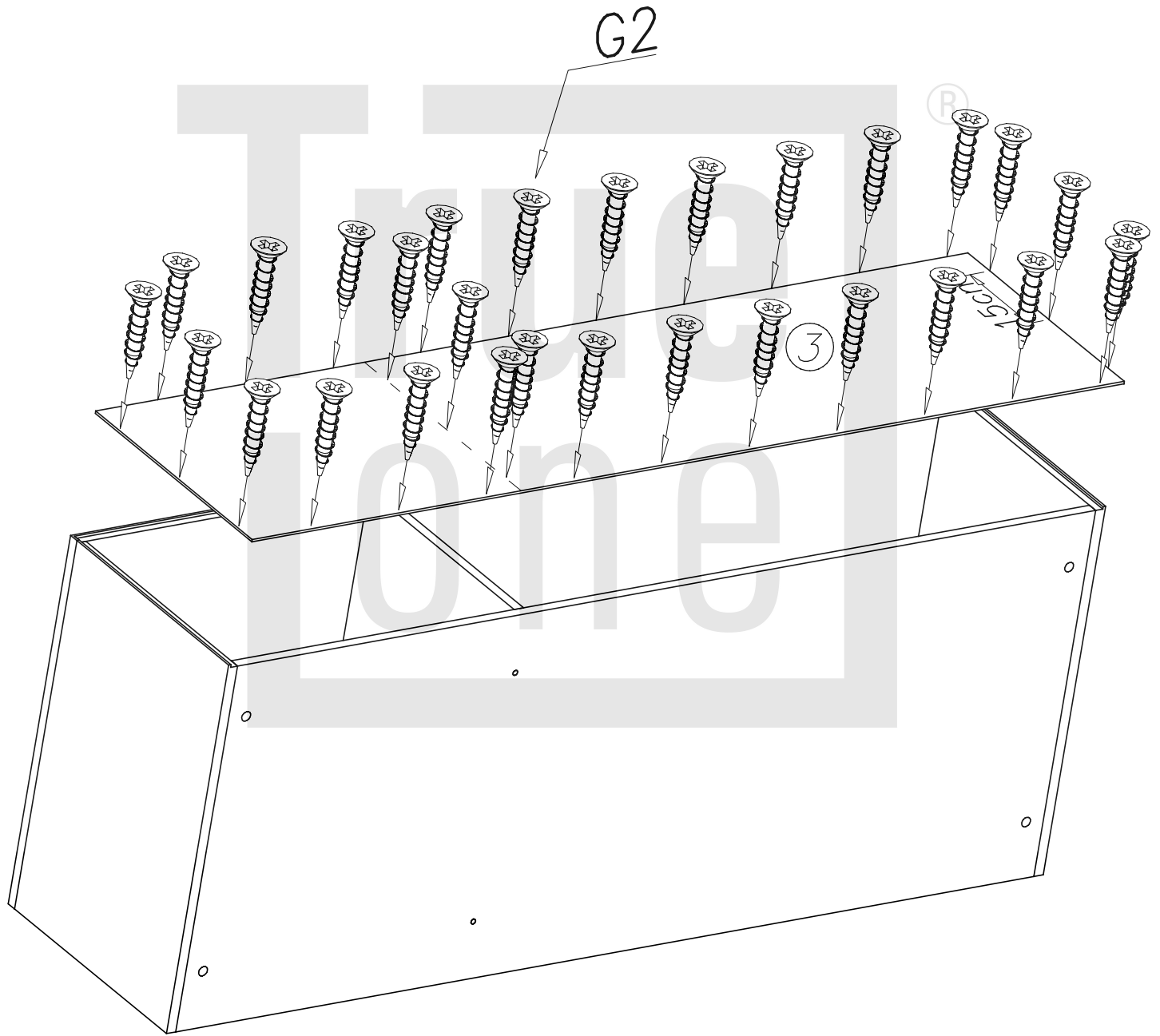
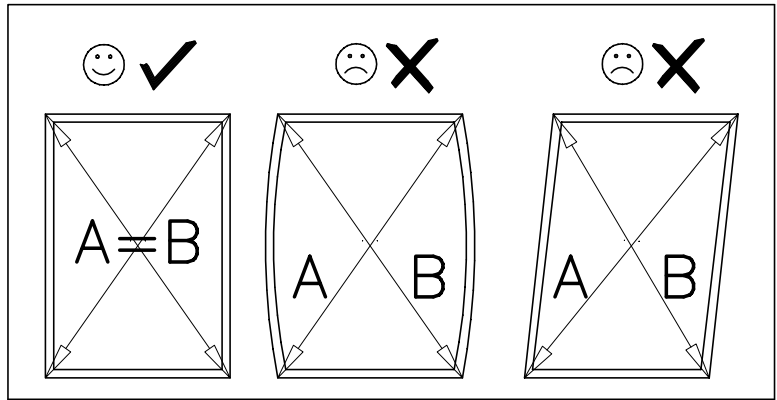


I

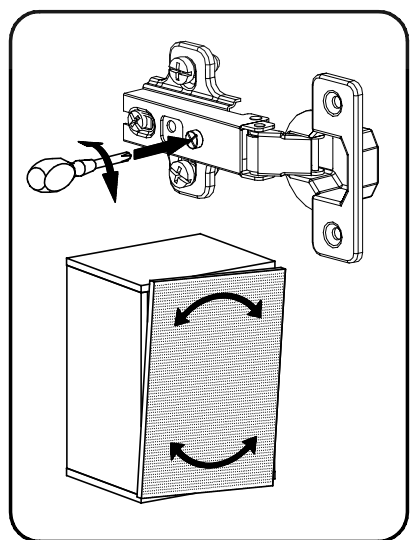
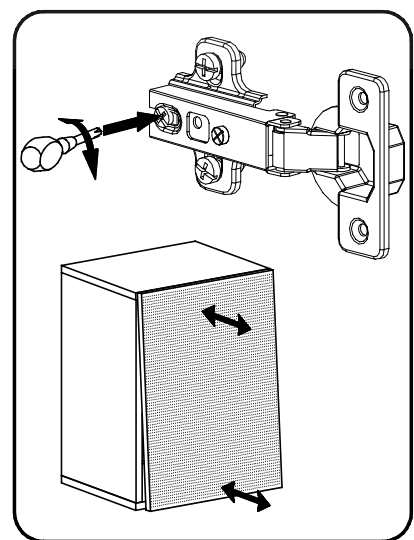
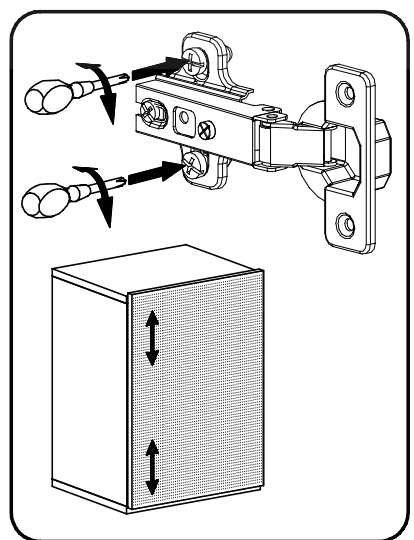
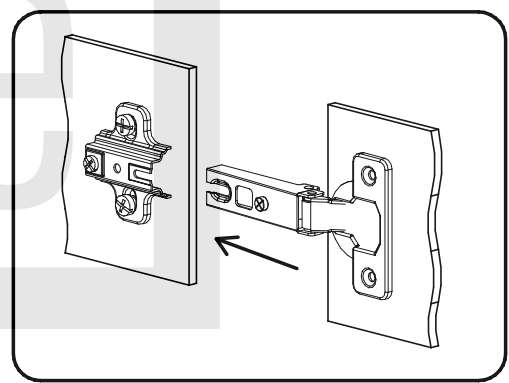
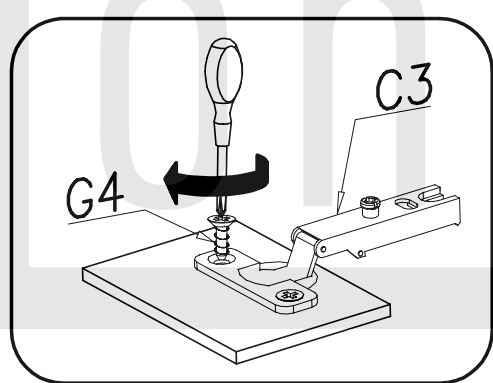
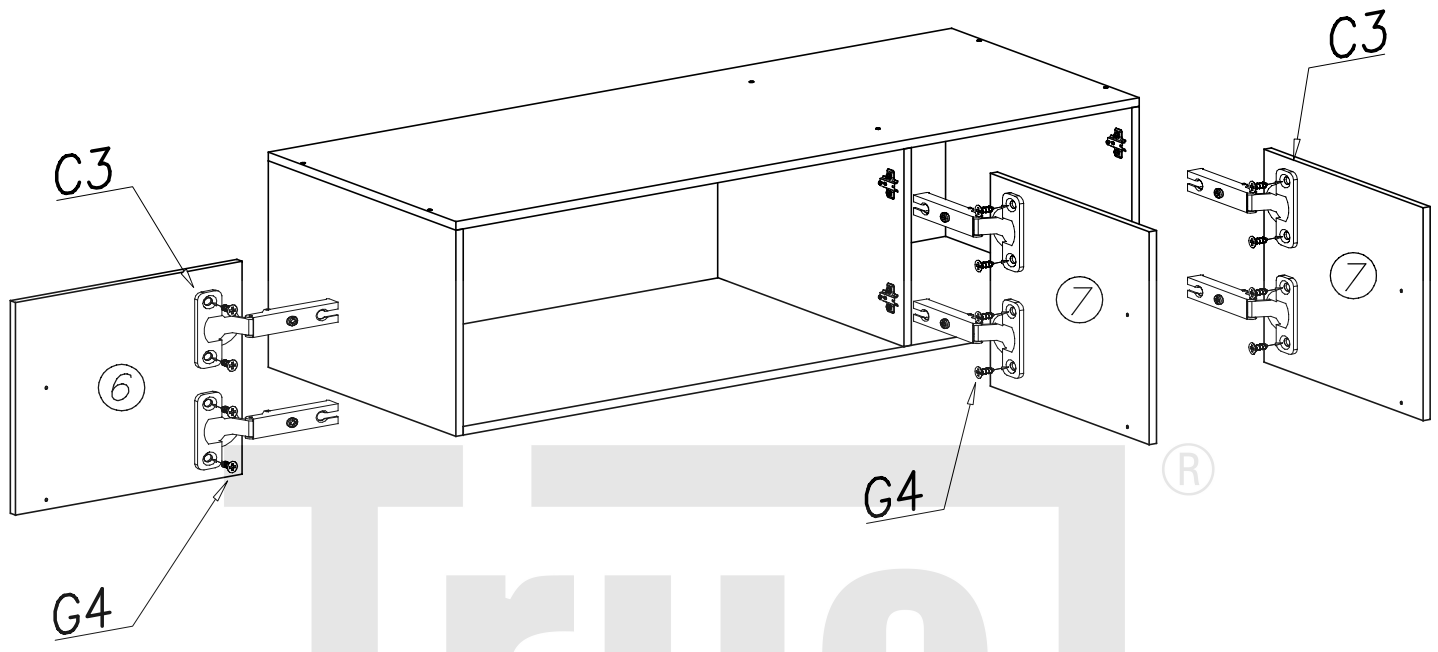


II



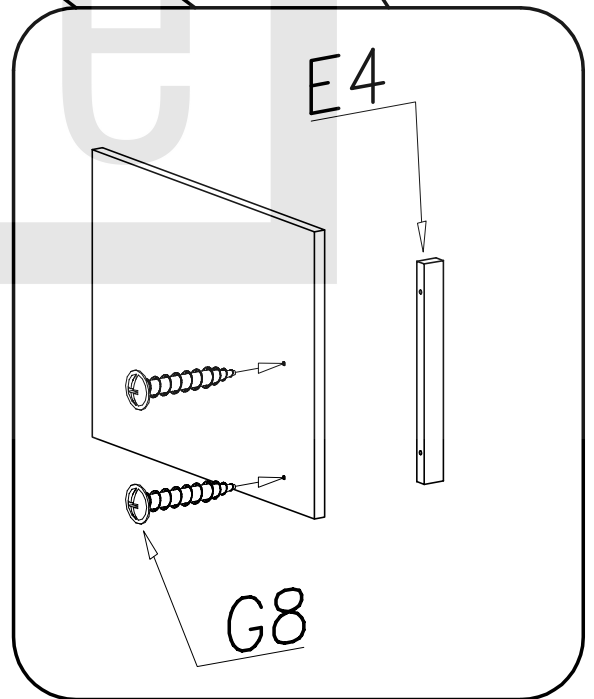
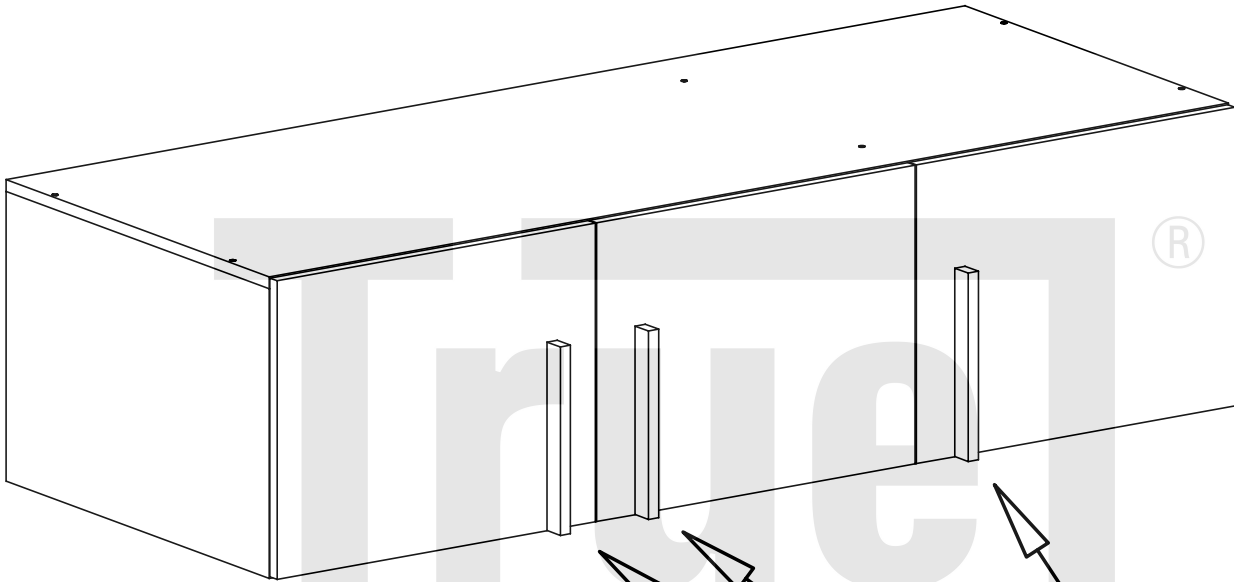


IV



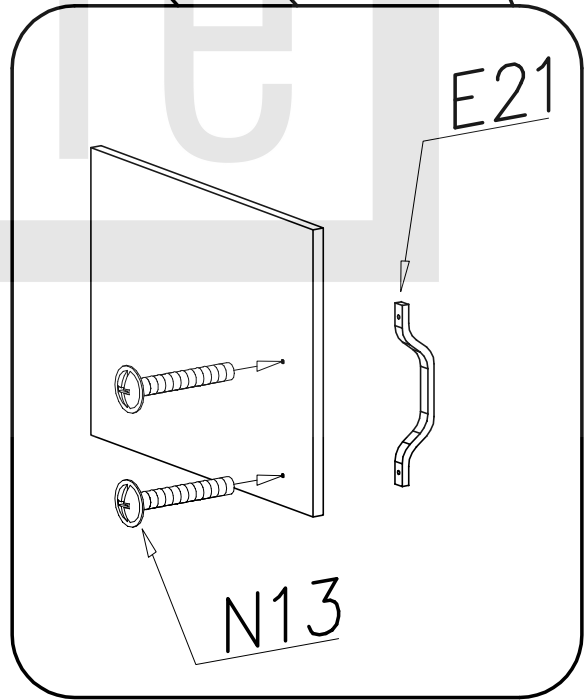
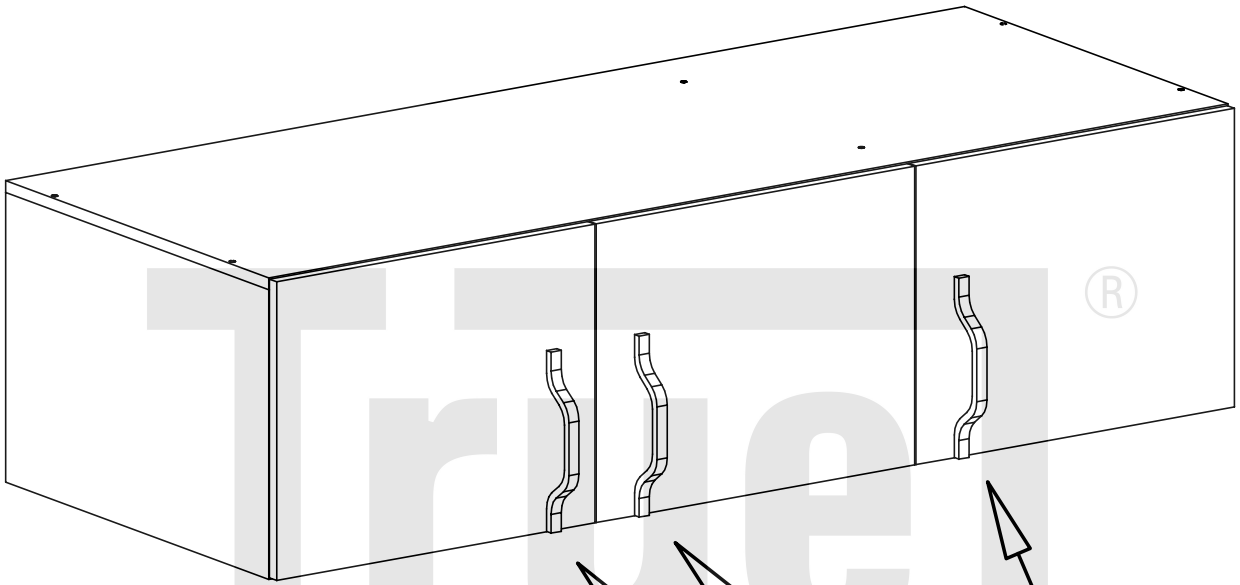
V

A



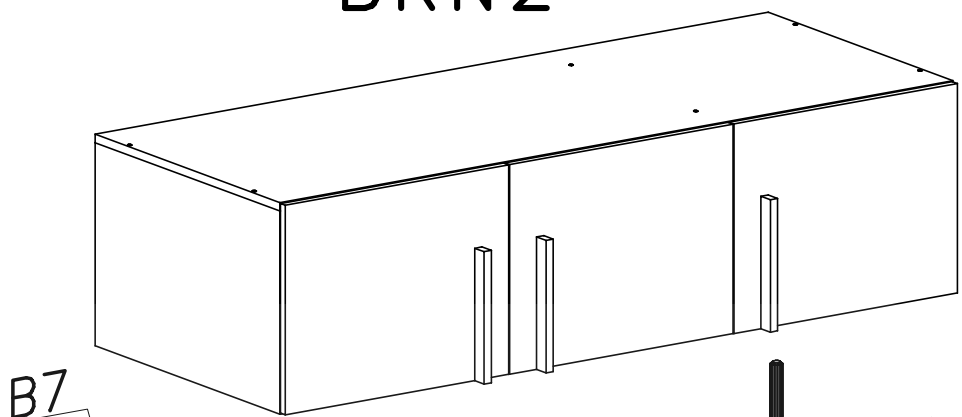
VI

B



VII

BRN 2



B7

BR 2

