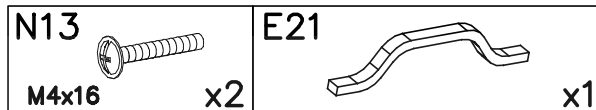
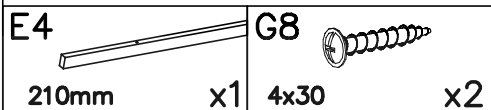
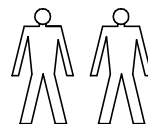
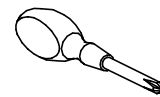
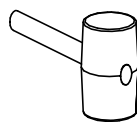
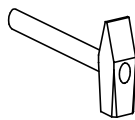
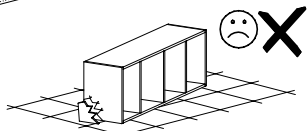
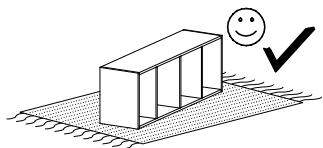
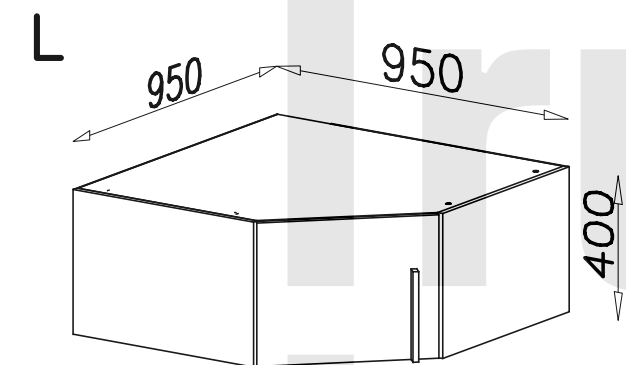


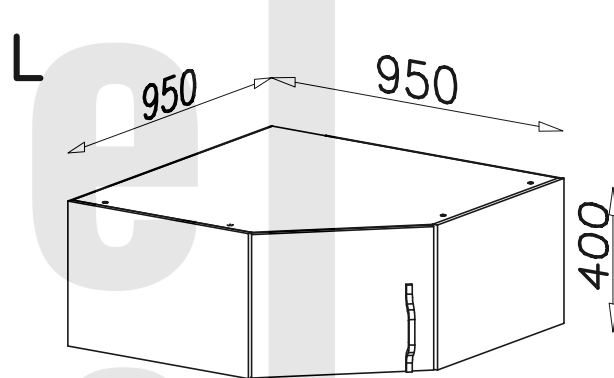
BRAGA BRN 4



(A)

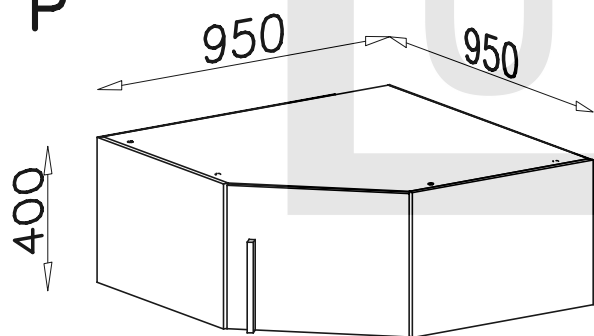


(B)

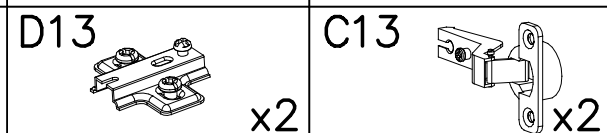
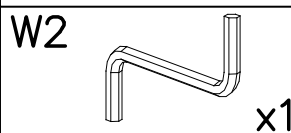
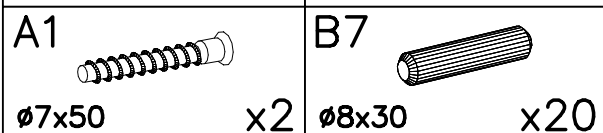
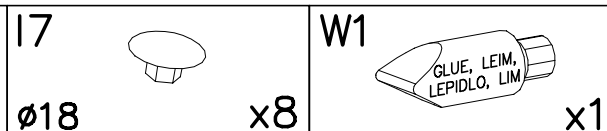
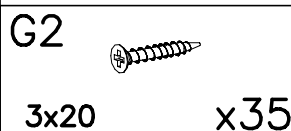
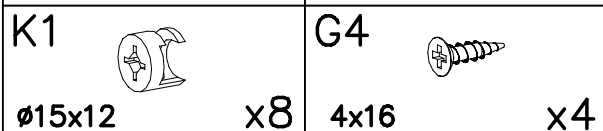
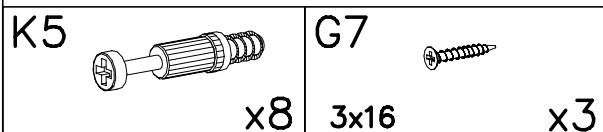
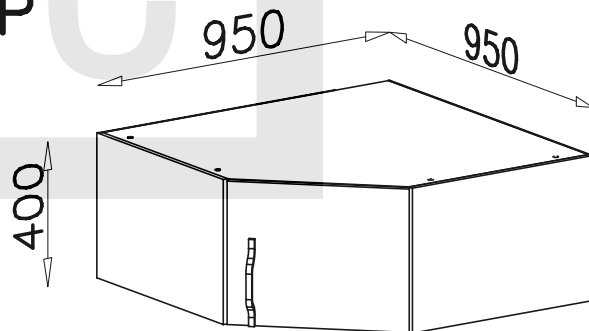


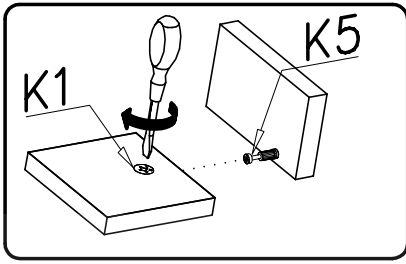
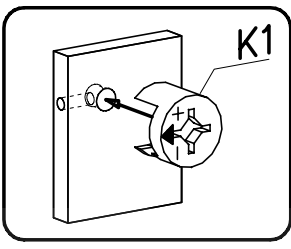
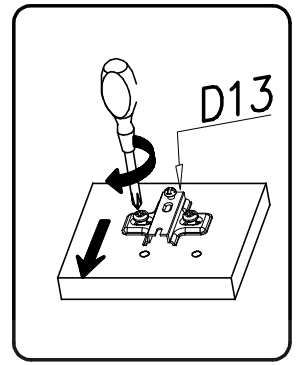
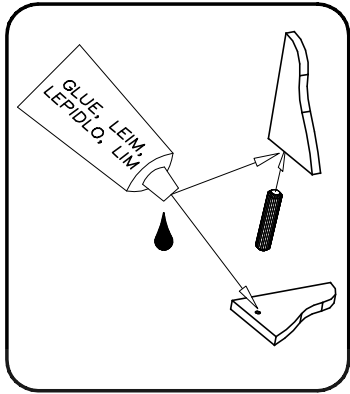
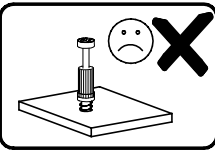
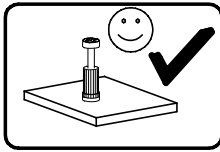
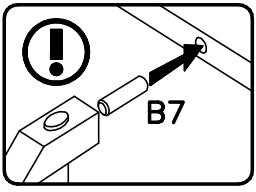
(R)

P

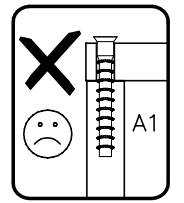
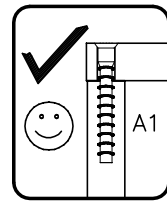
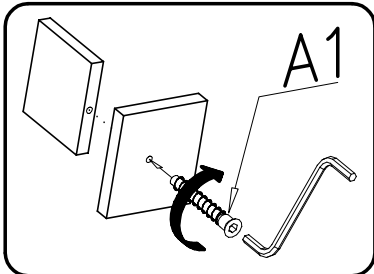
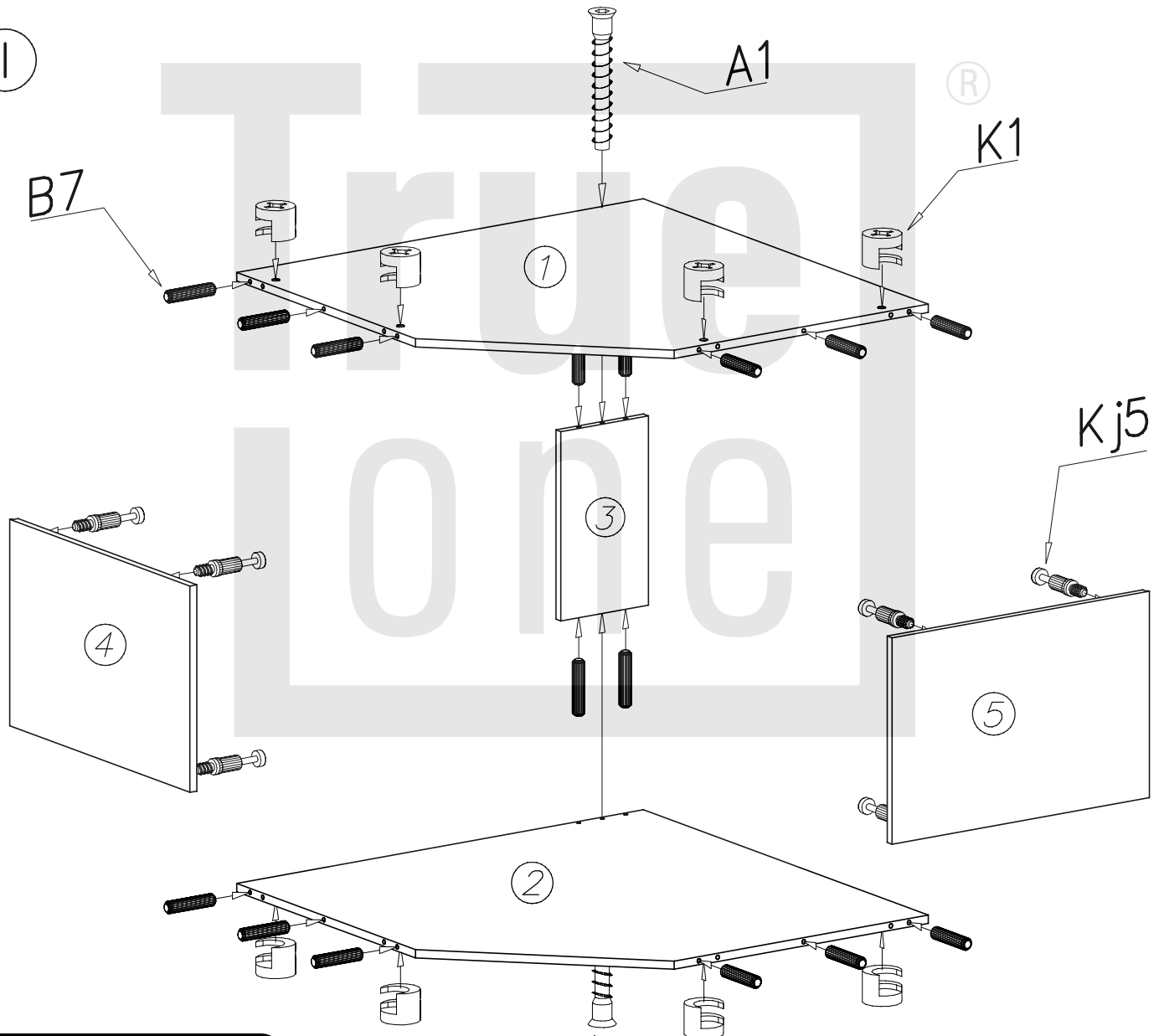


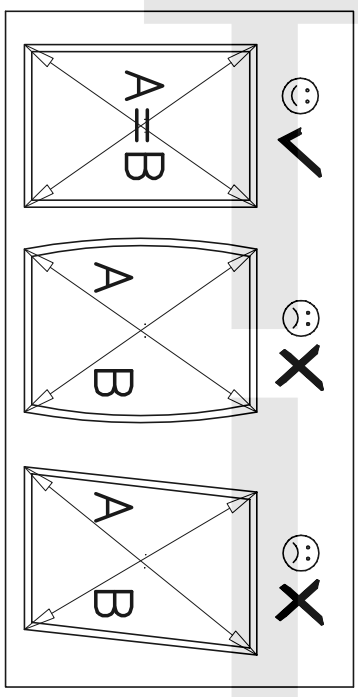
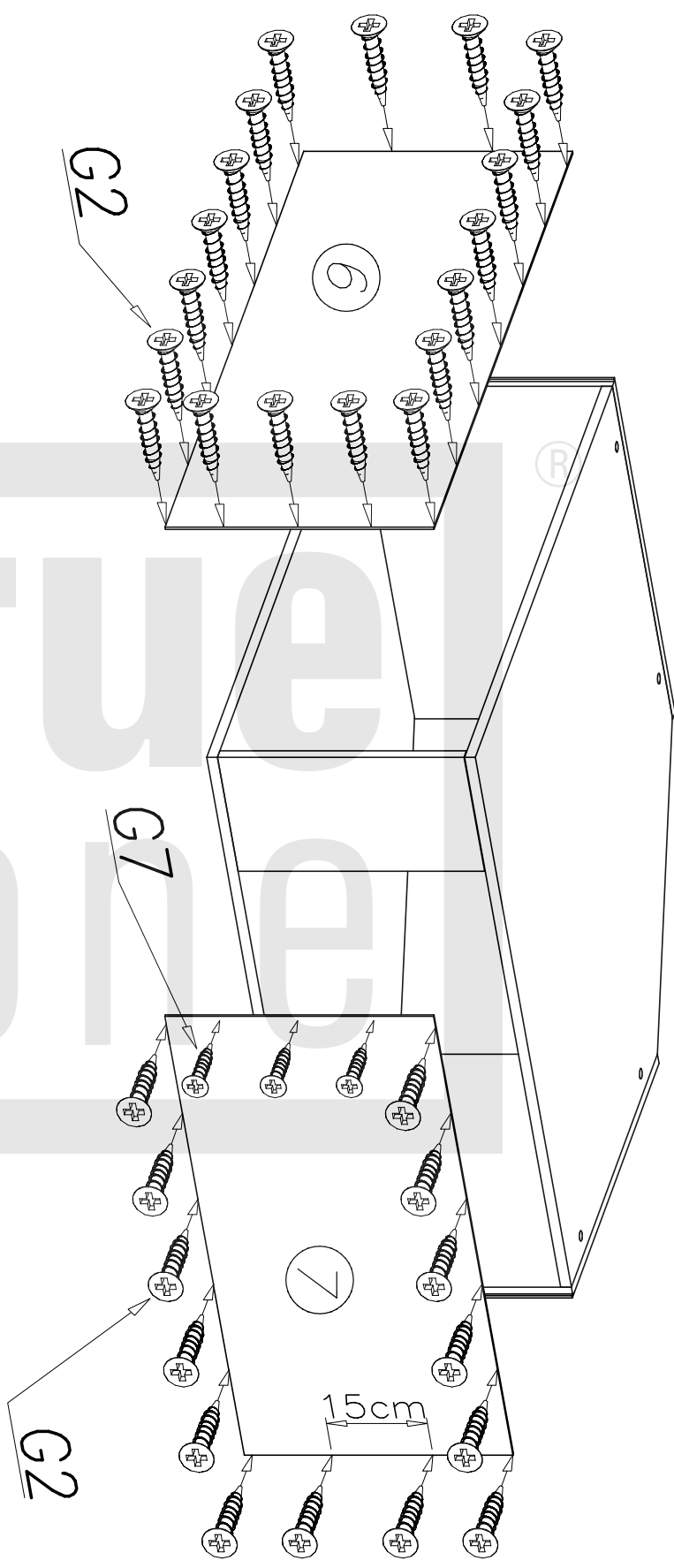
P



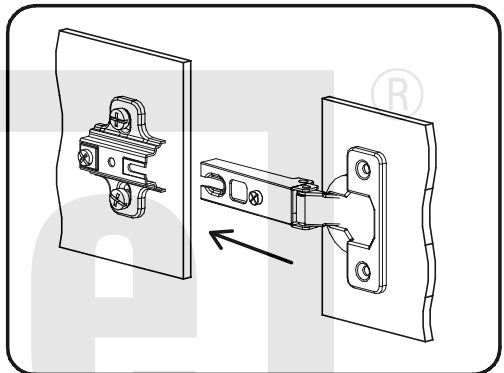
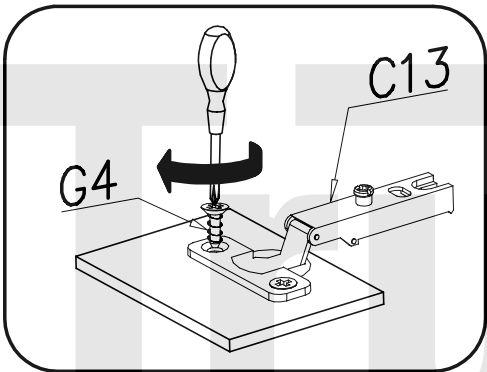
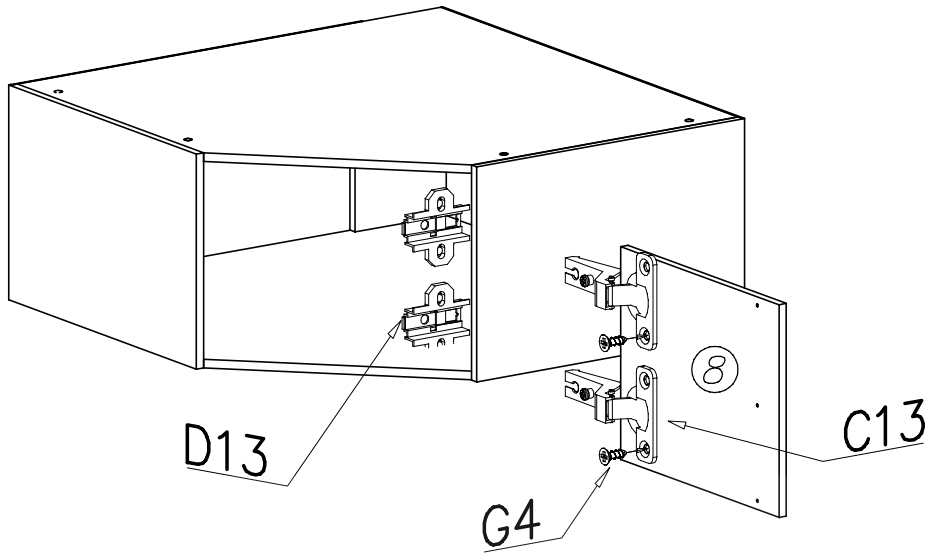


1

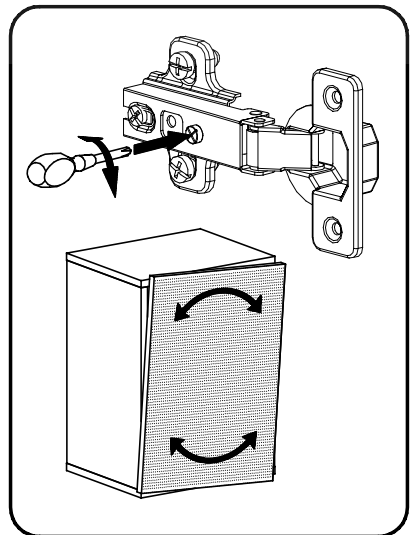
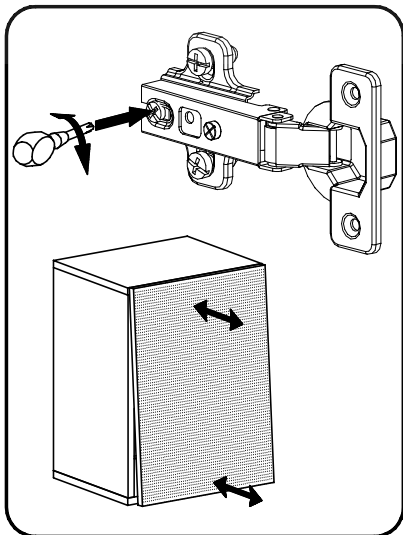
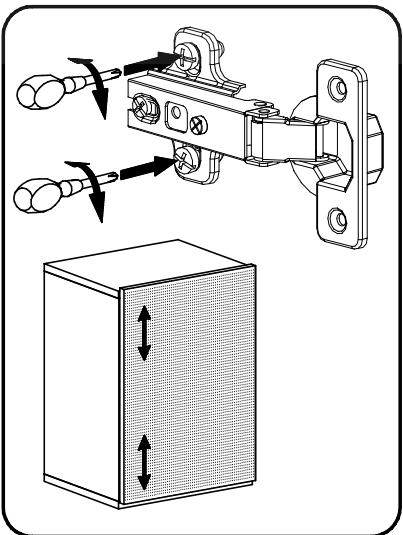
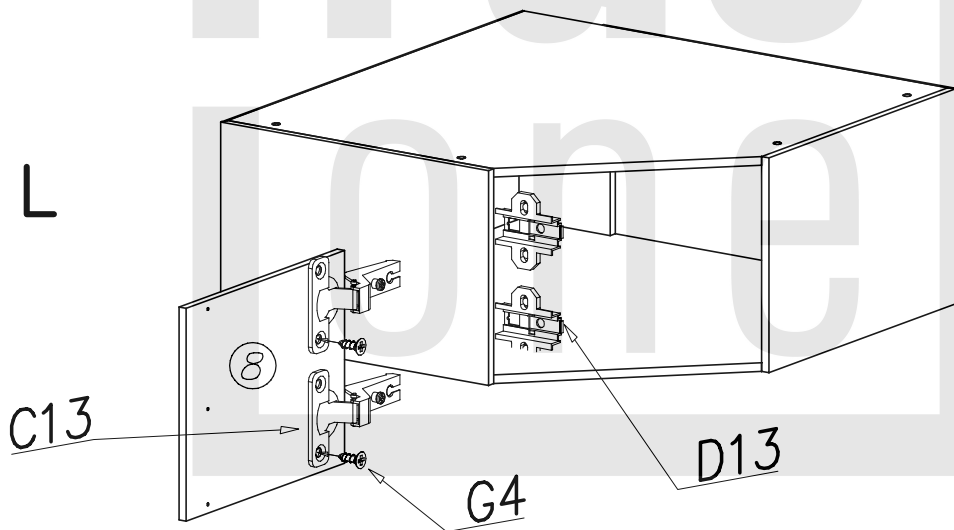




P



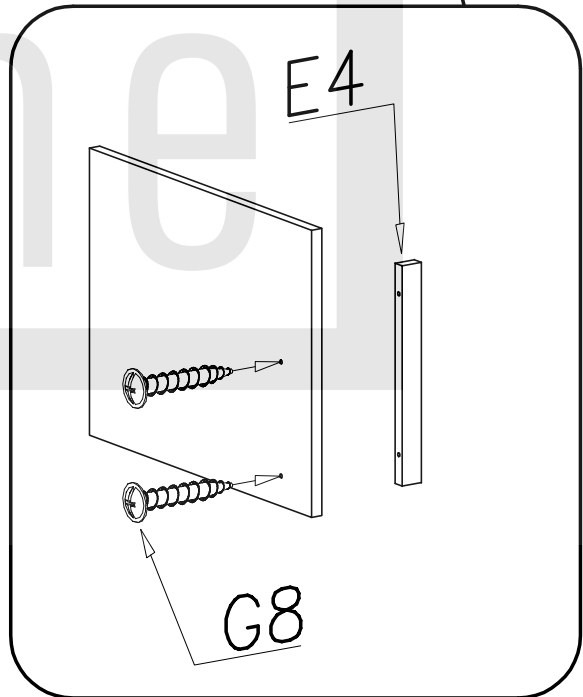
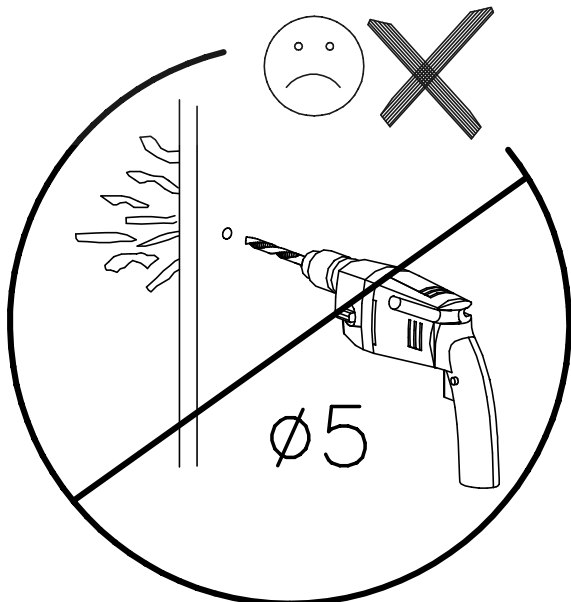
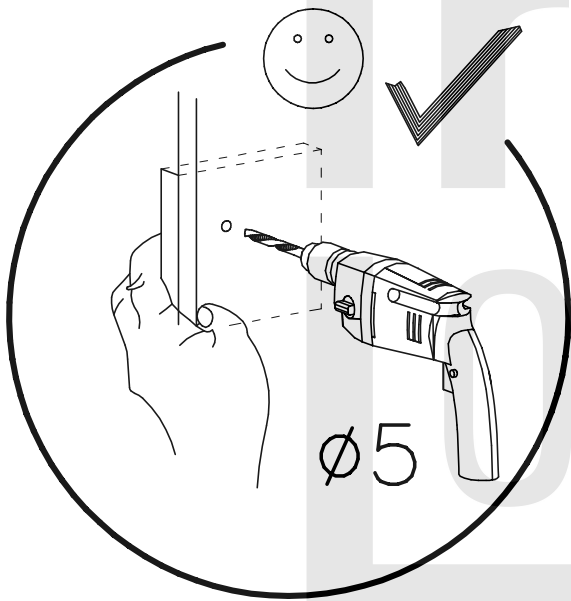
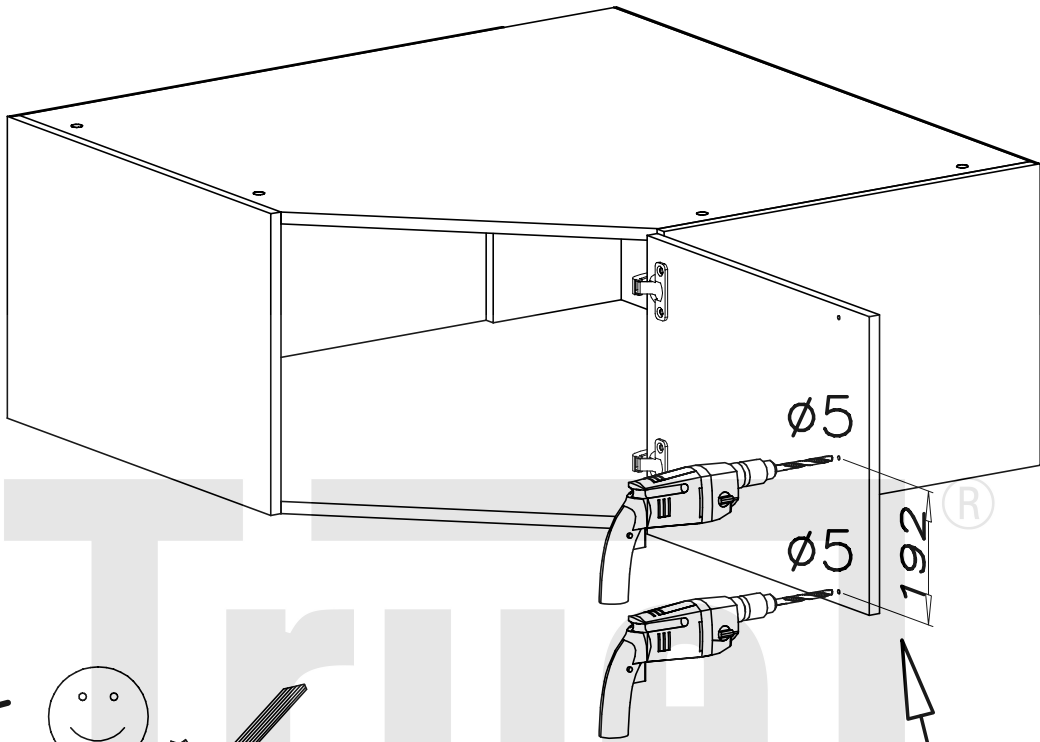
L



IV

A

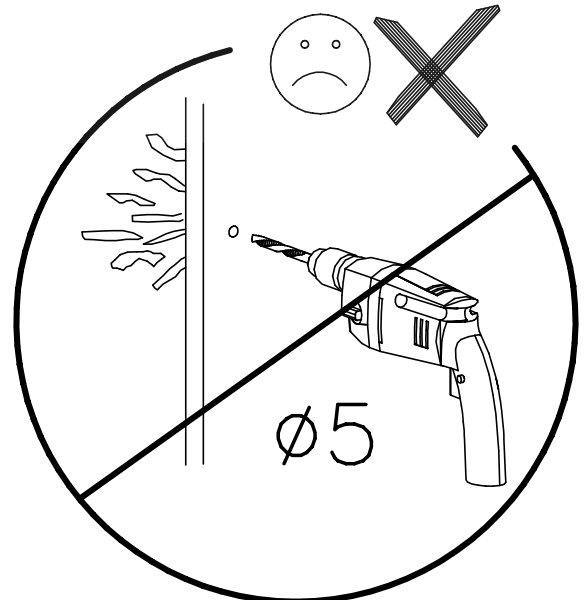
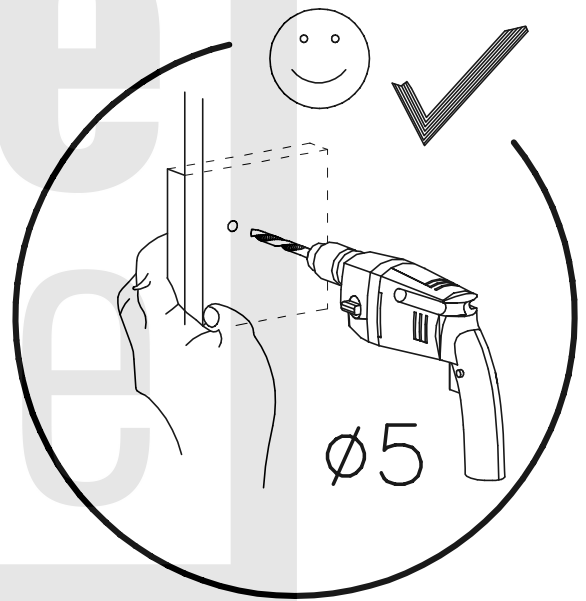
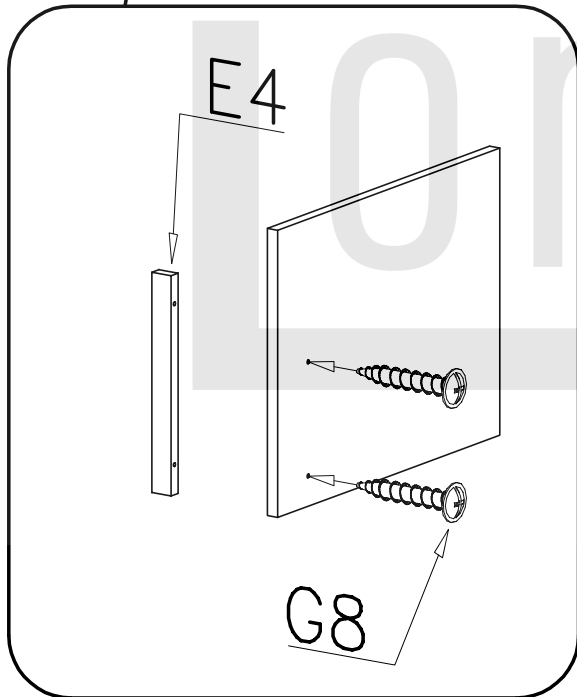
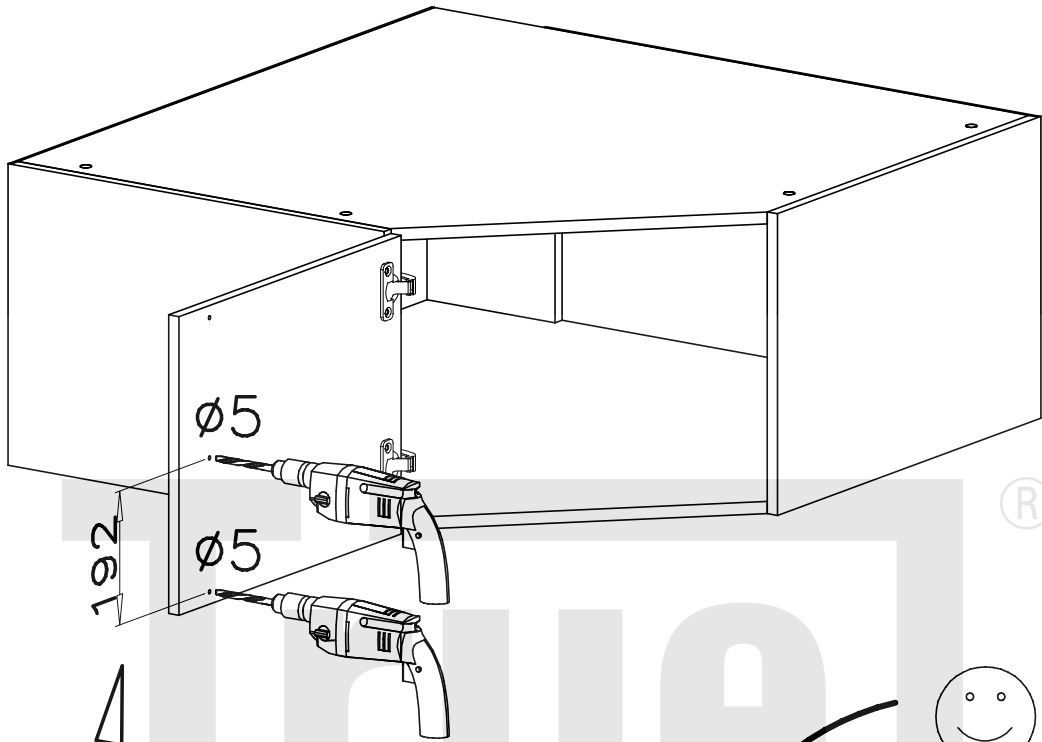
P



V

A

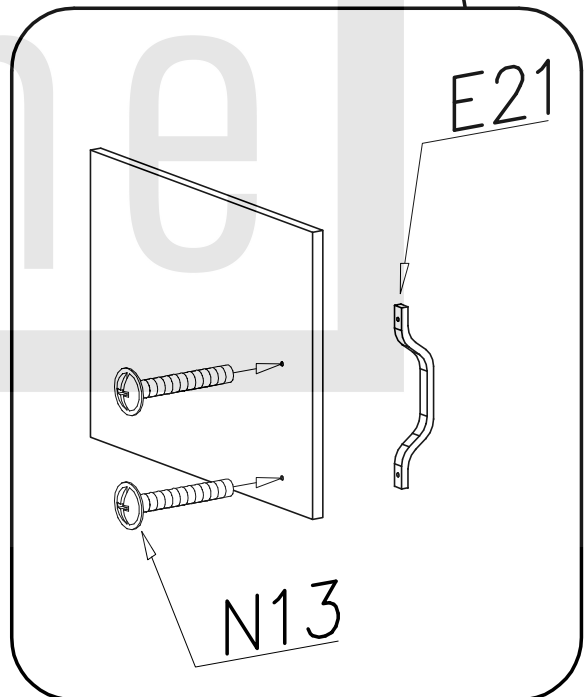
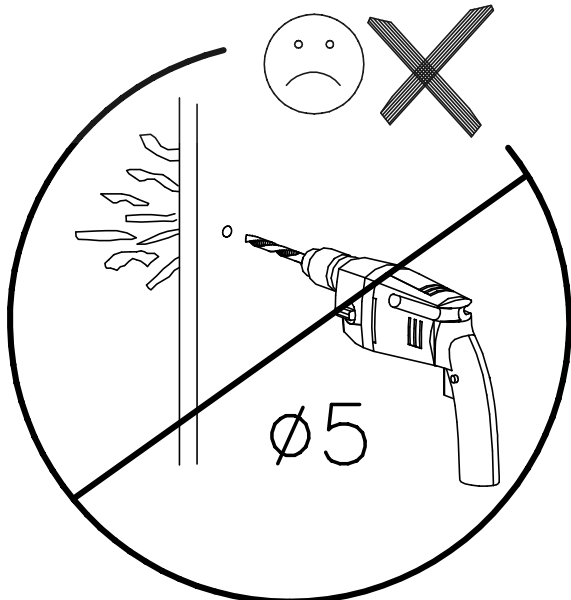
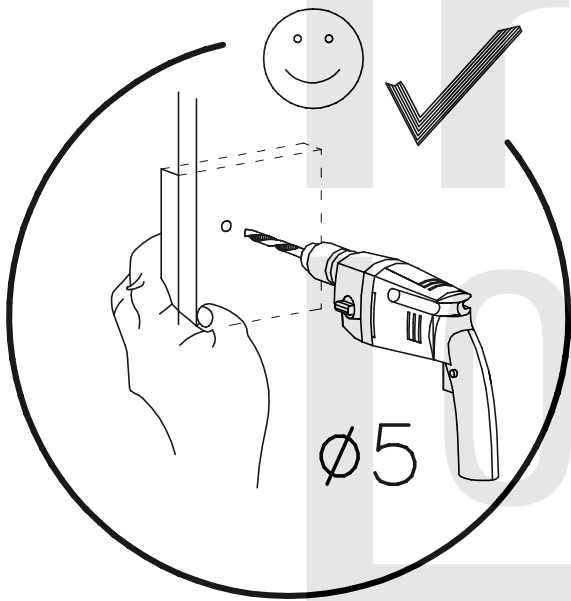
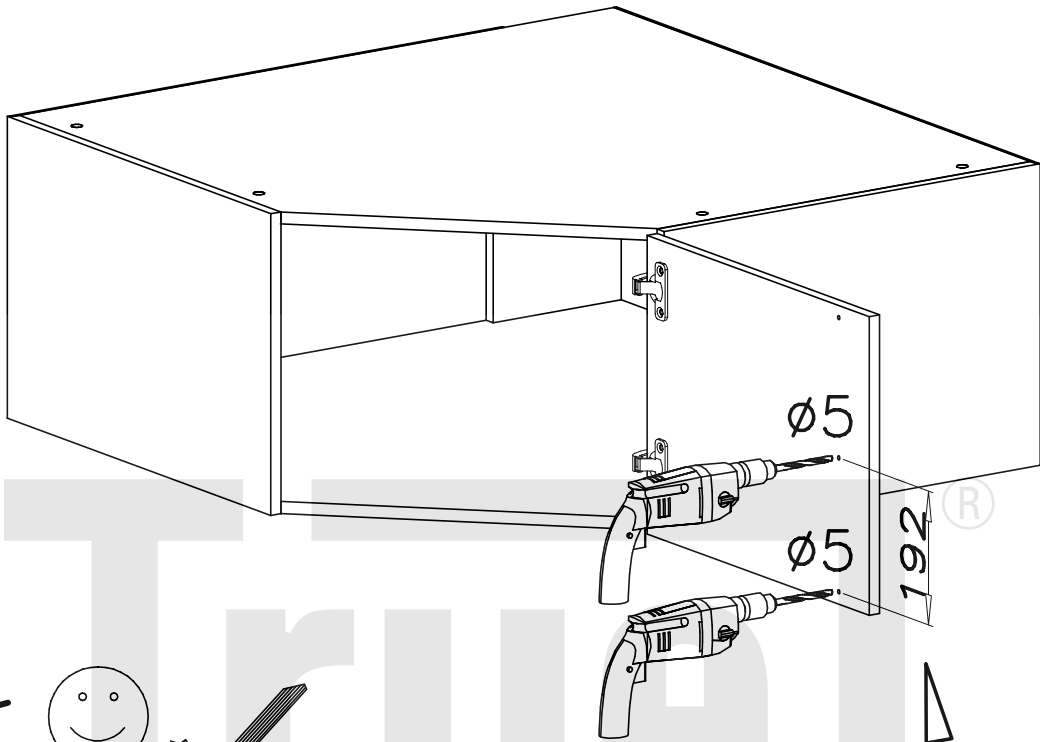
L



VI

B

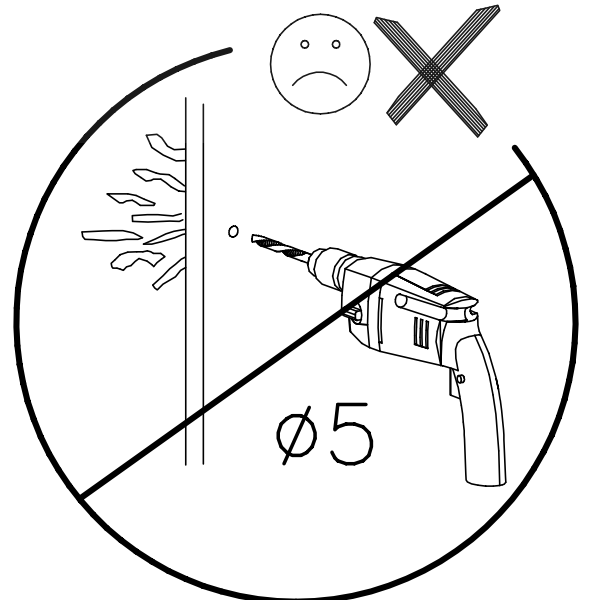
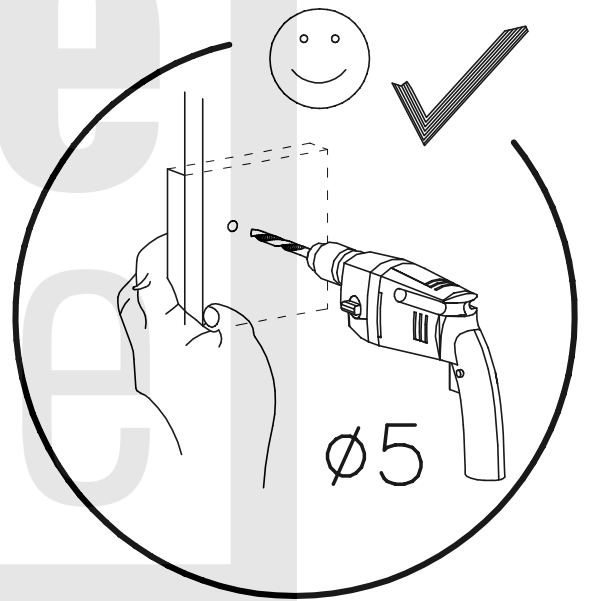
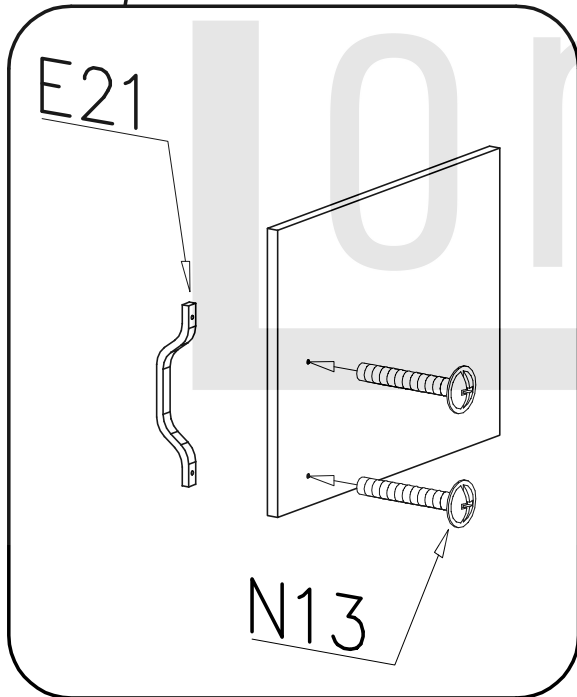
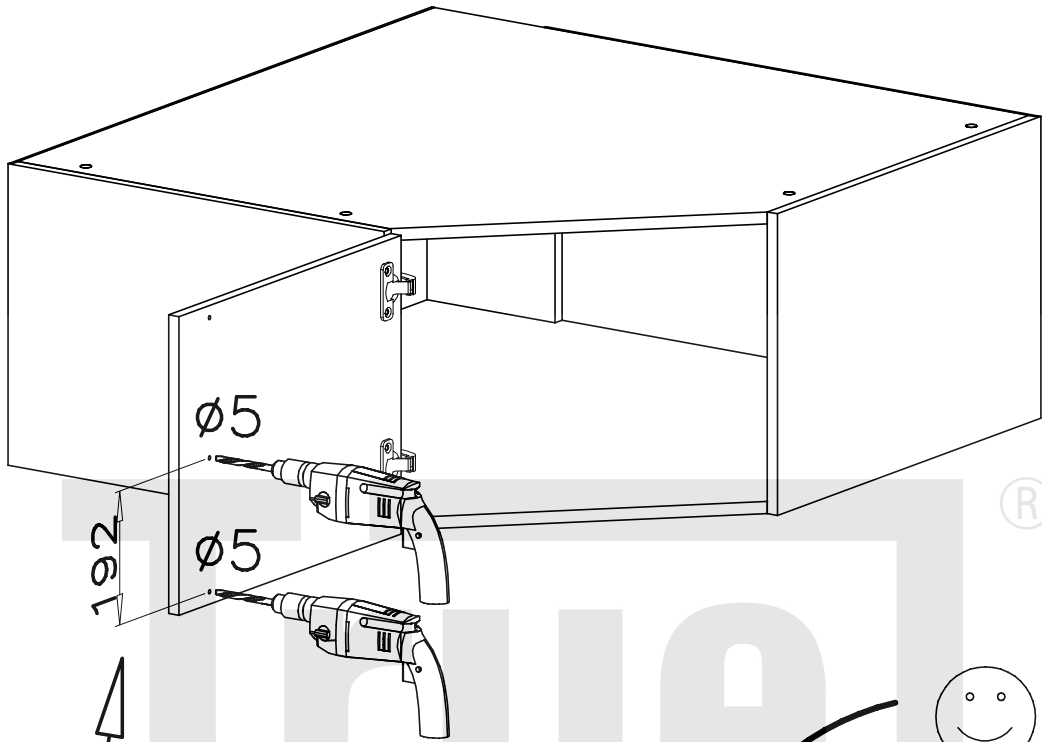
P



VII

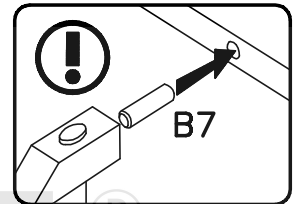
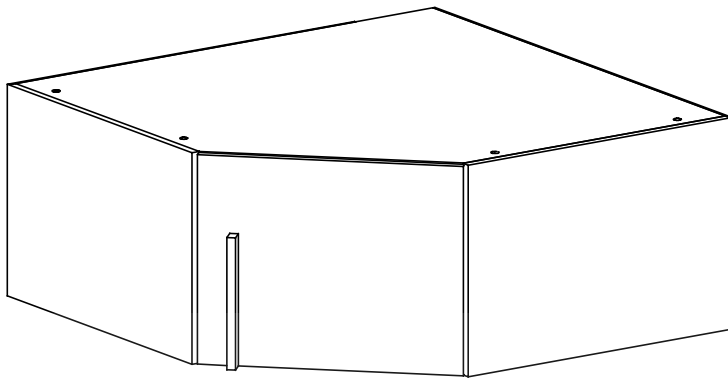
B

L



VIII

BRN 4



B7

BR 4

