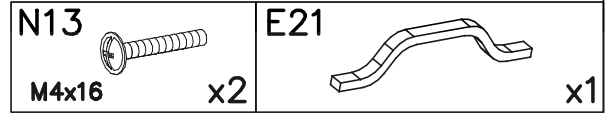
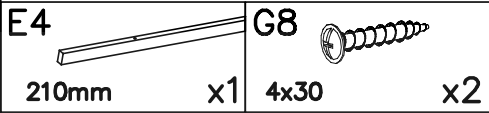
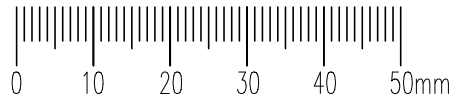
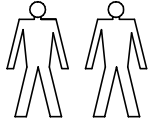
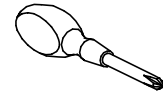
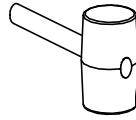
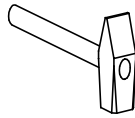
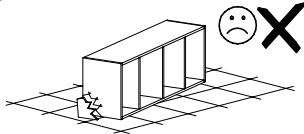
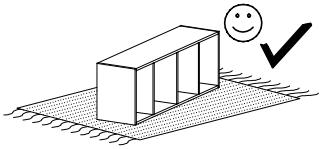
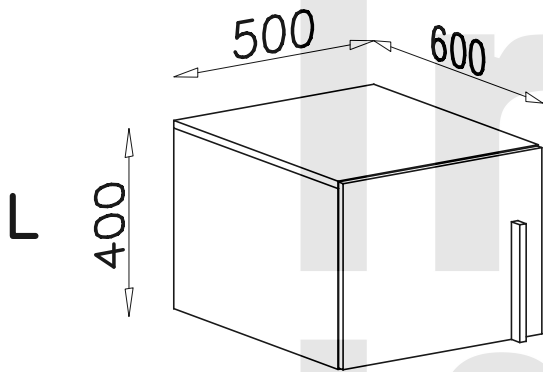


BRAGA BRN 5 L/P

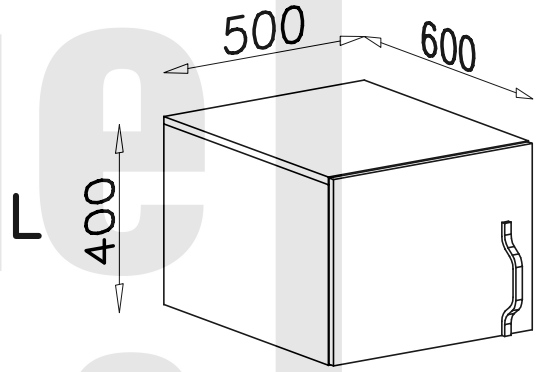


(A)



L
400

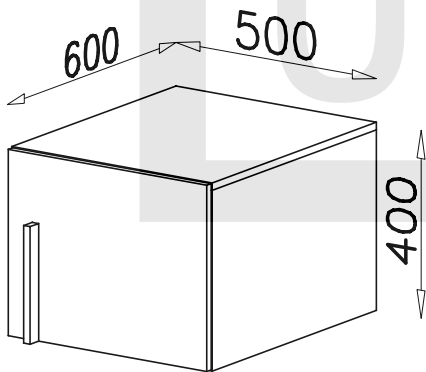
(B)



L
400

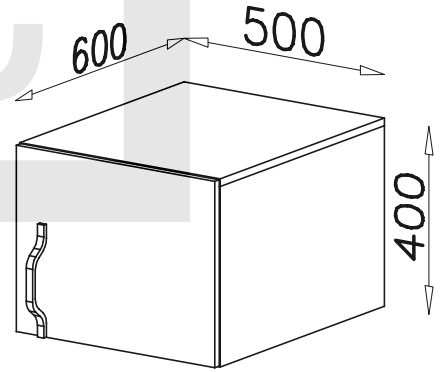
(R)

P

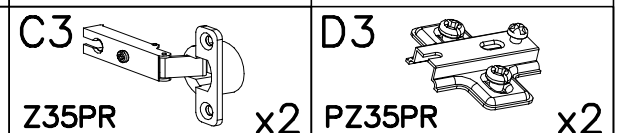
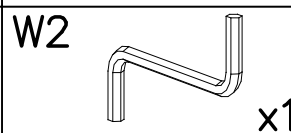
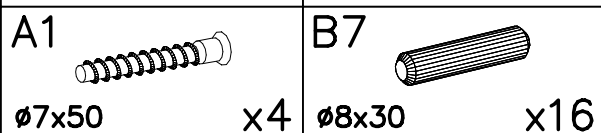
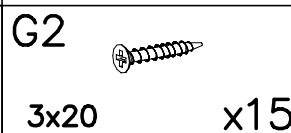
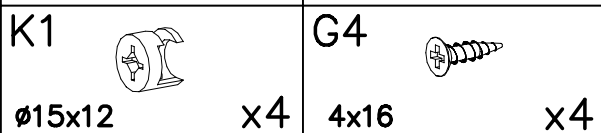
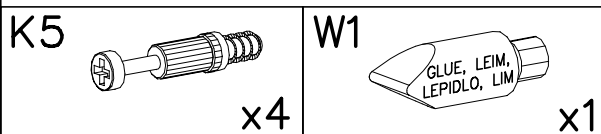


400

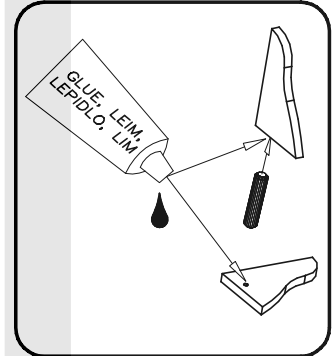
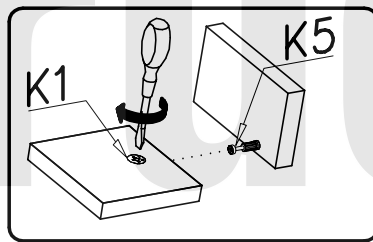
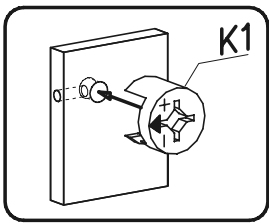
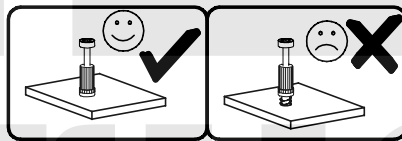
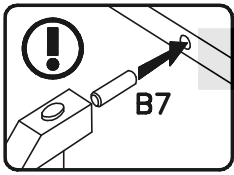
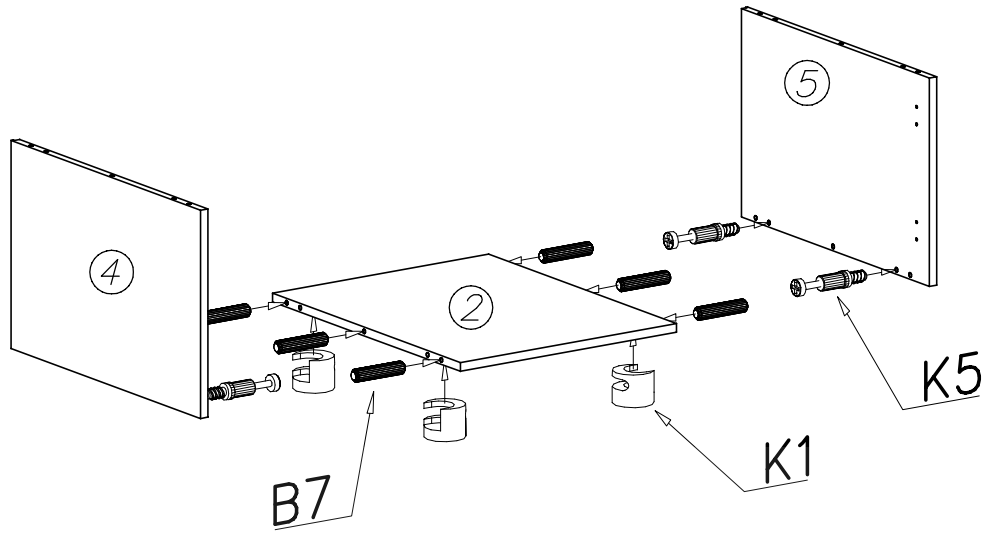
P



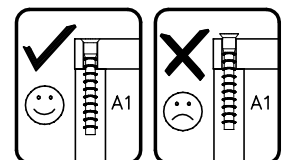
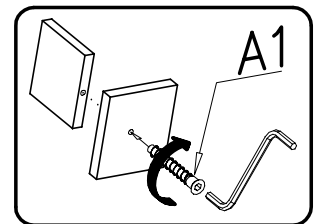
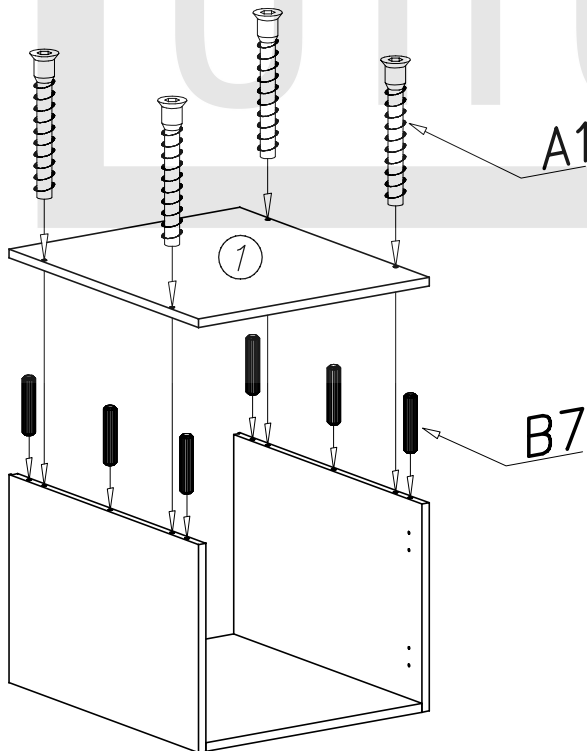
400

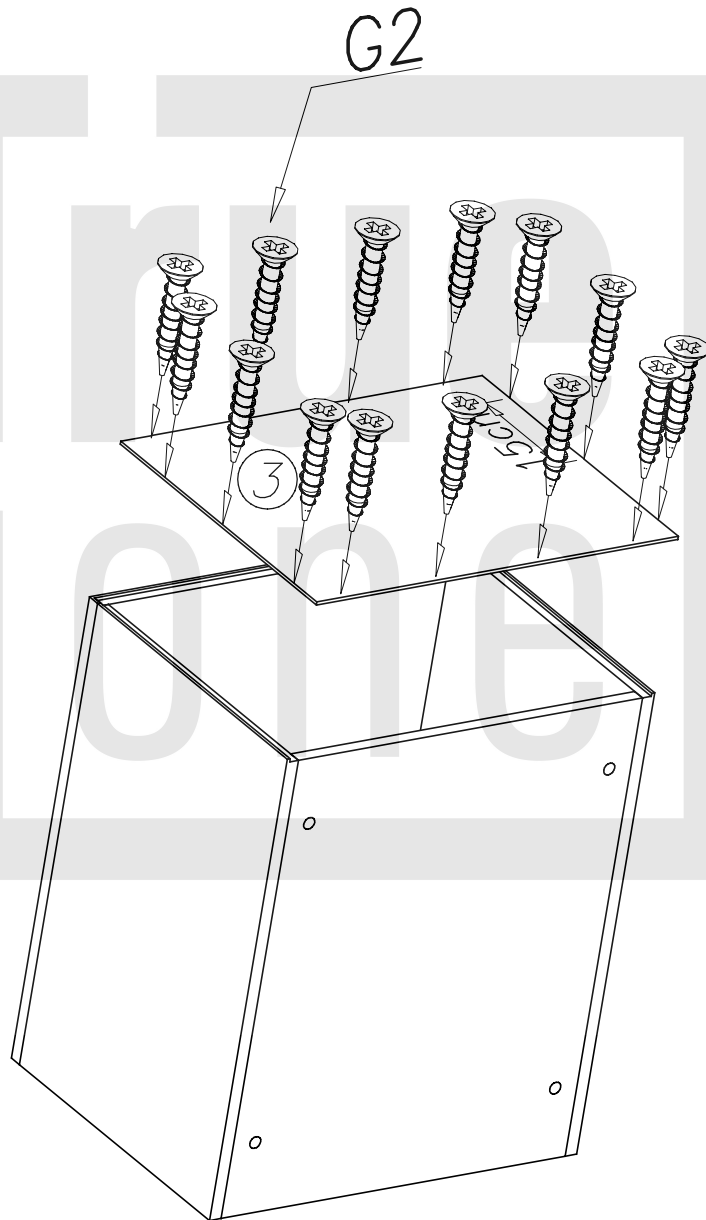
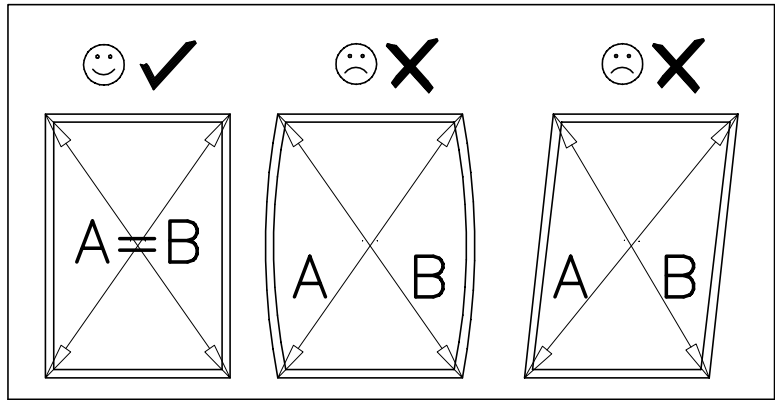


I



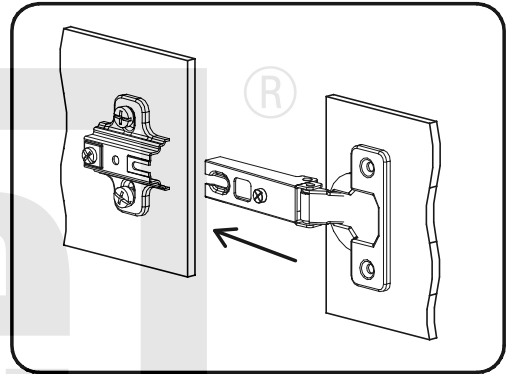
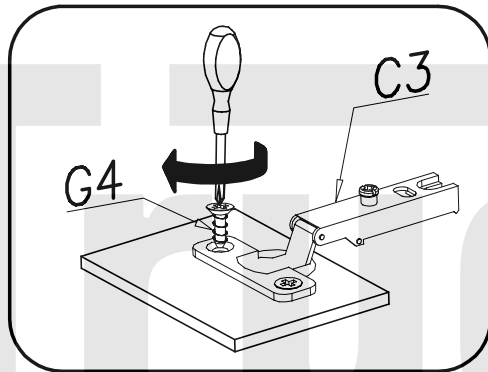
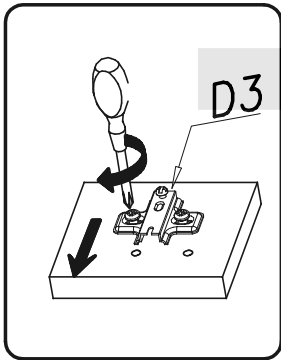
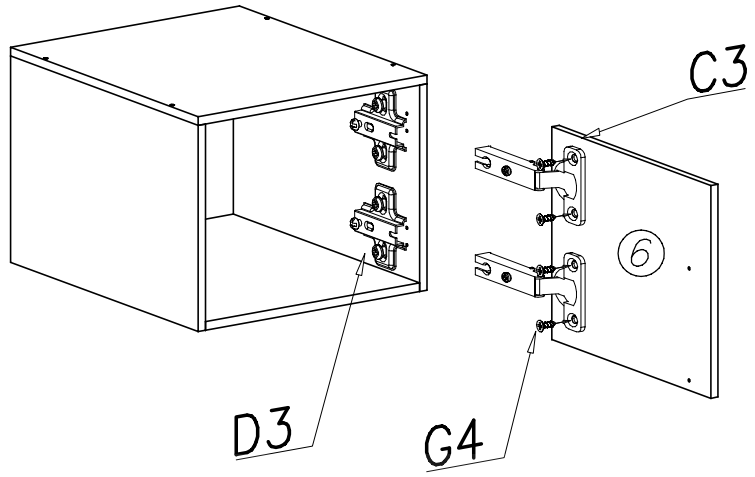
II



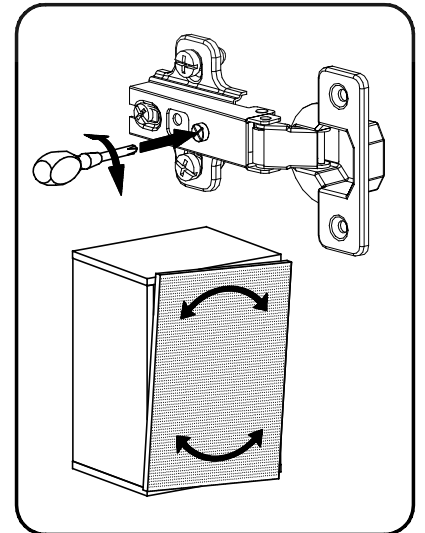
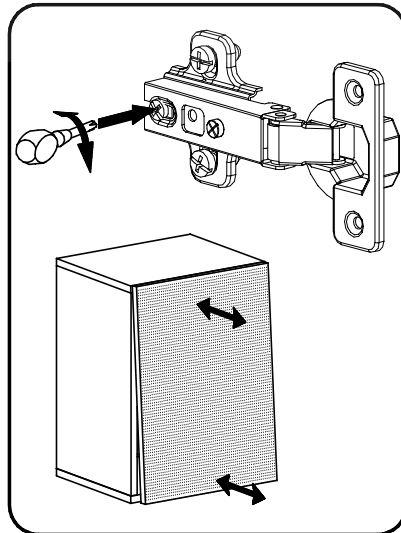
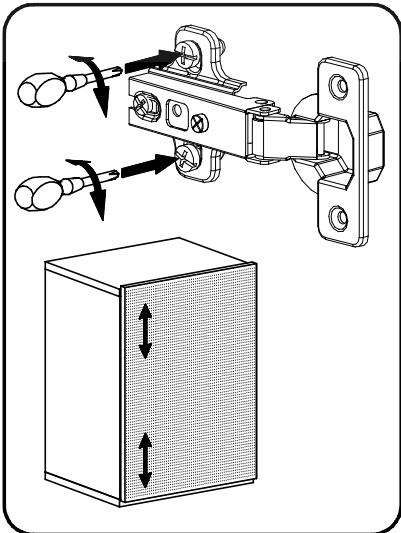
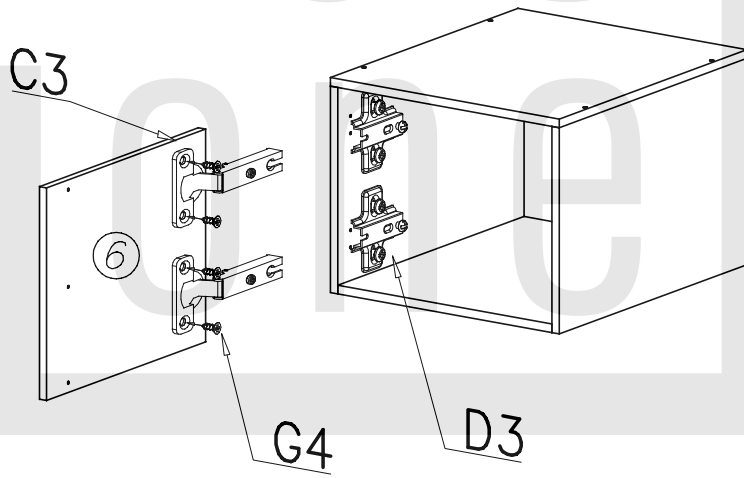


IV

P



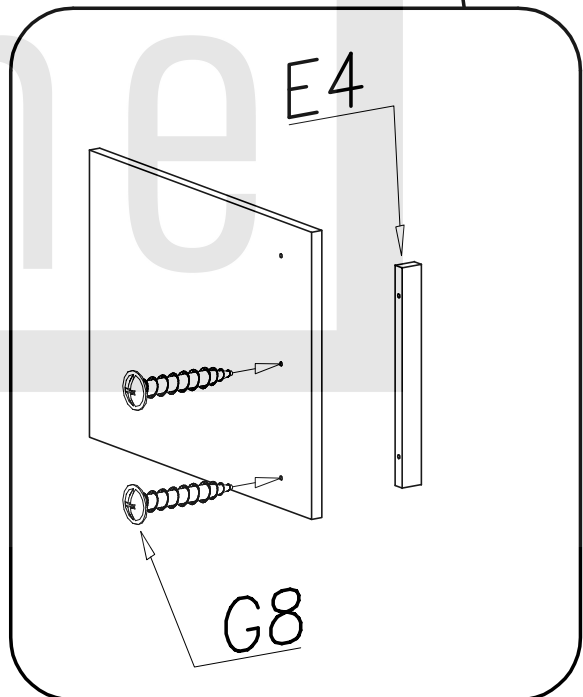
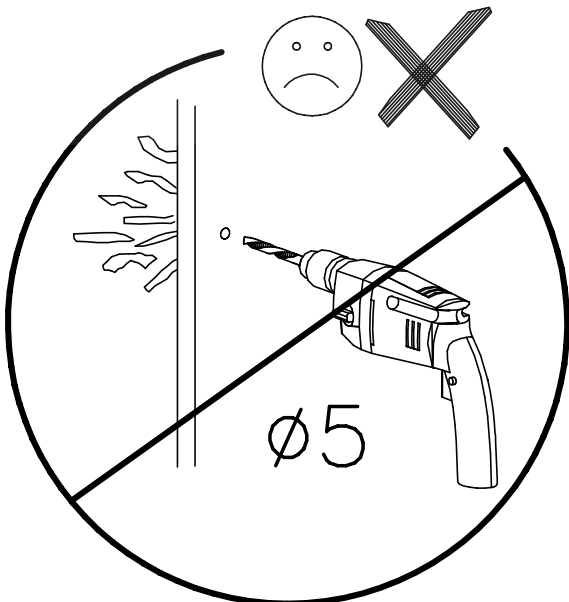
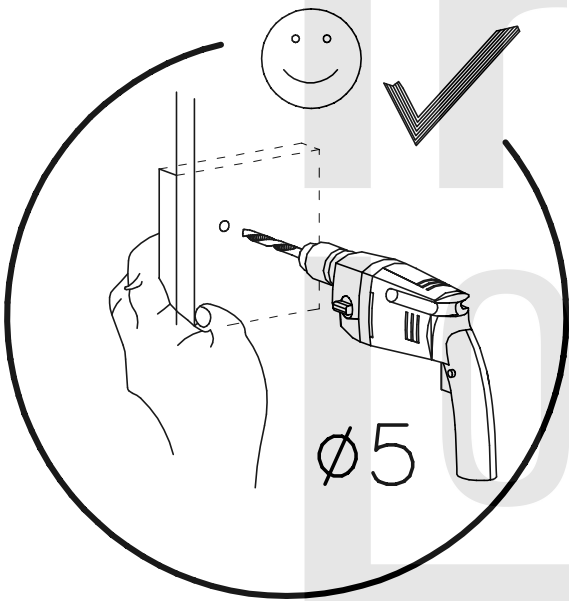
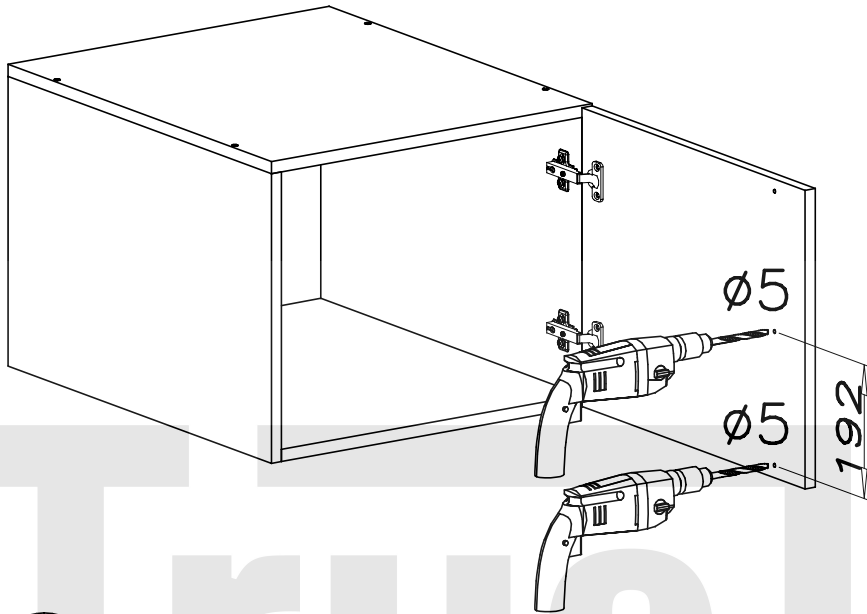
L



V

A

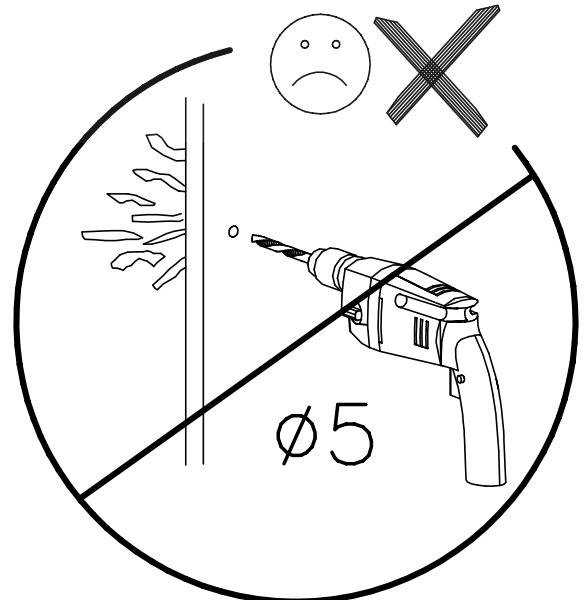
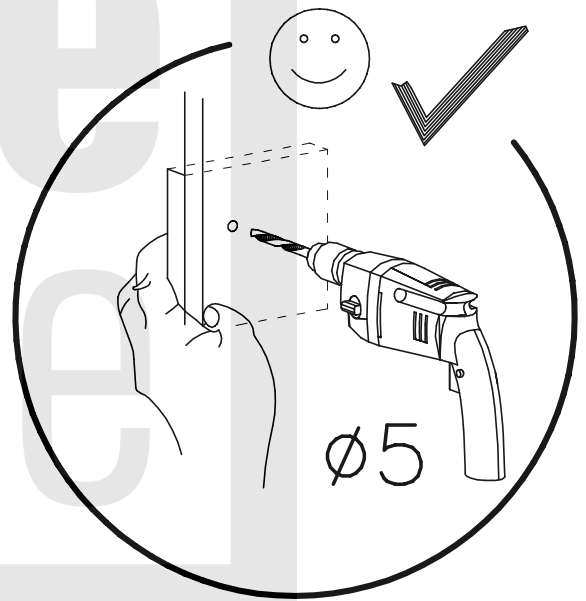
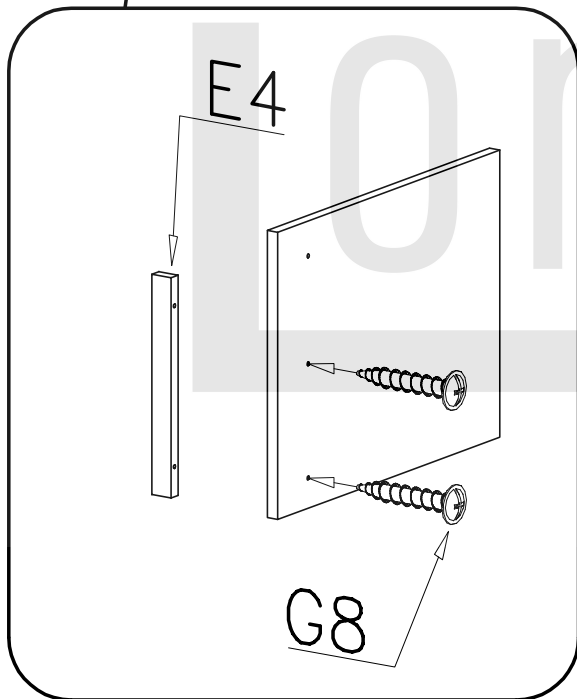
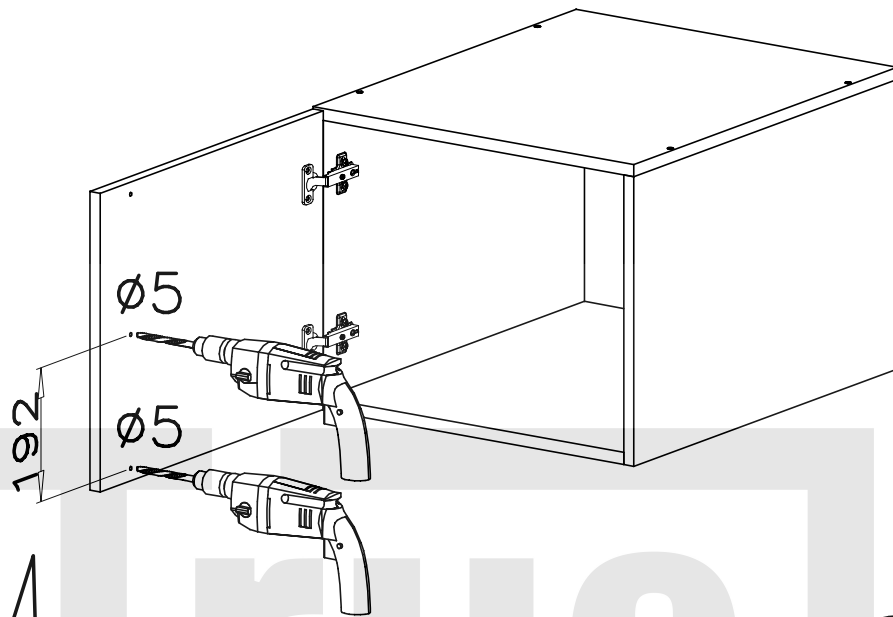
P



VI

A

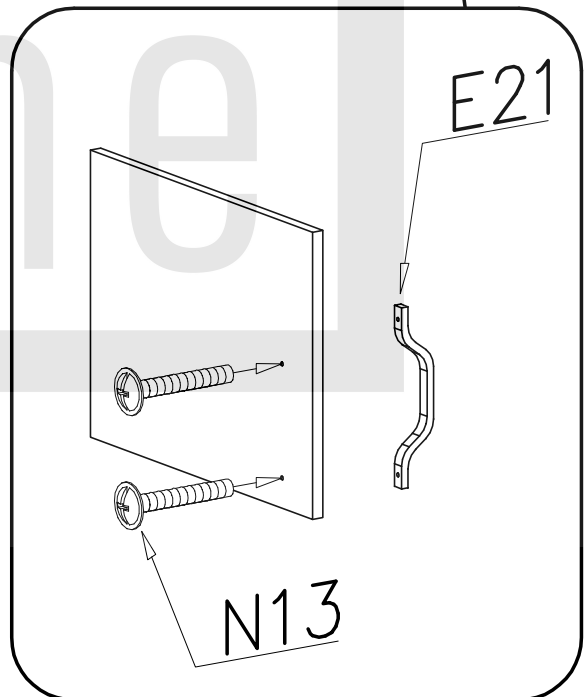
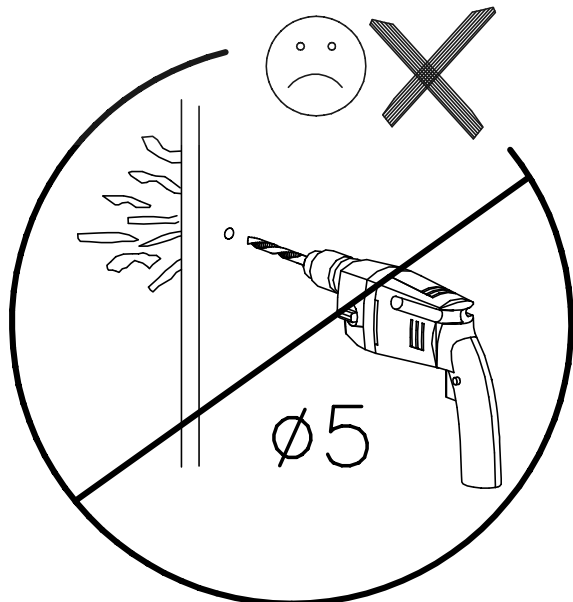
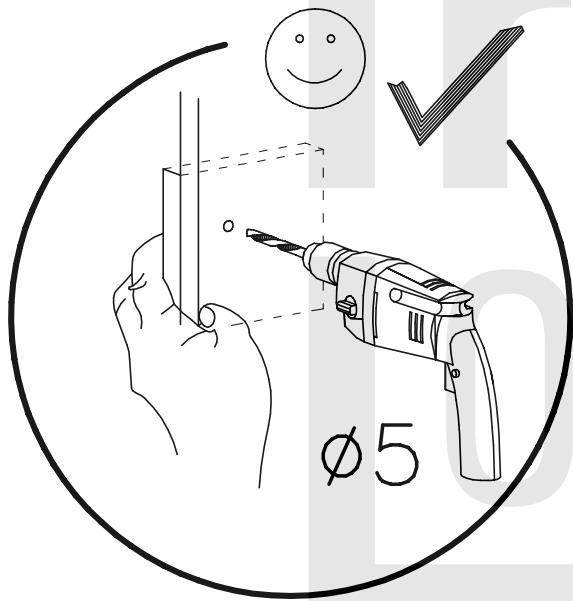
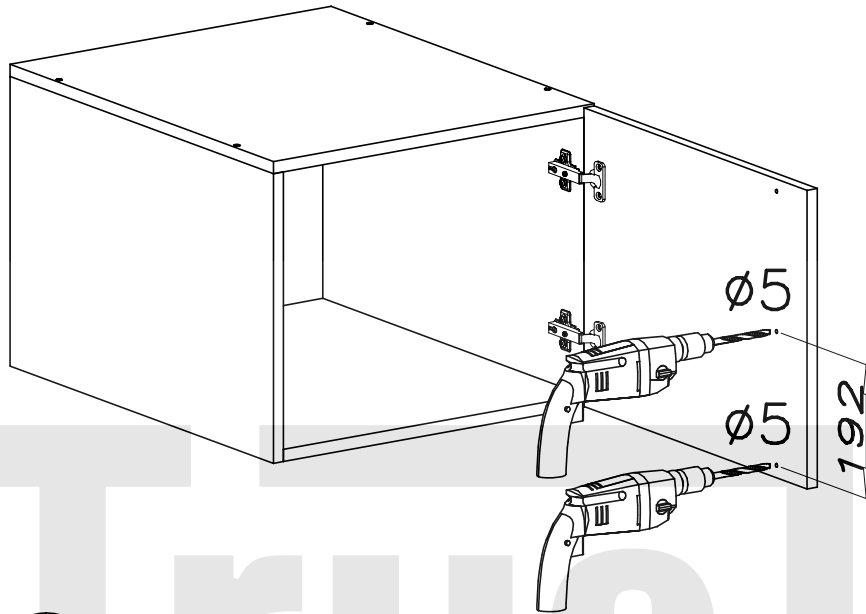
L



VII

B

P

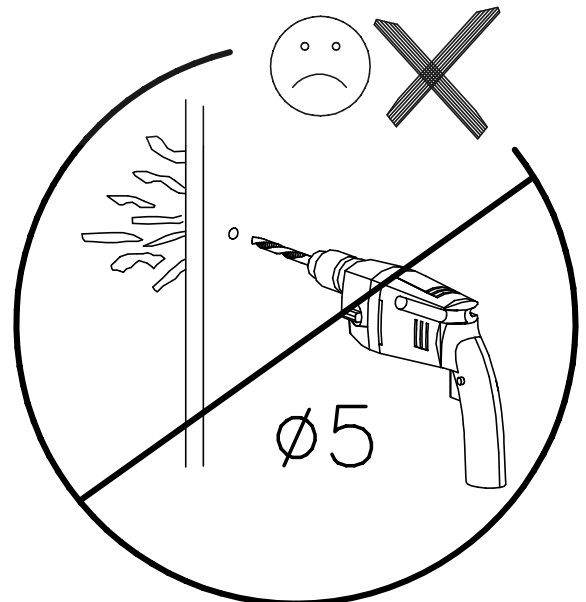
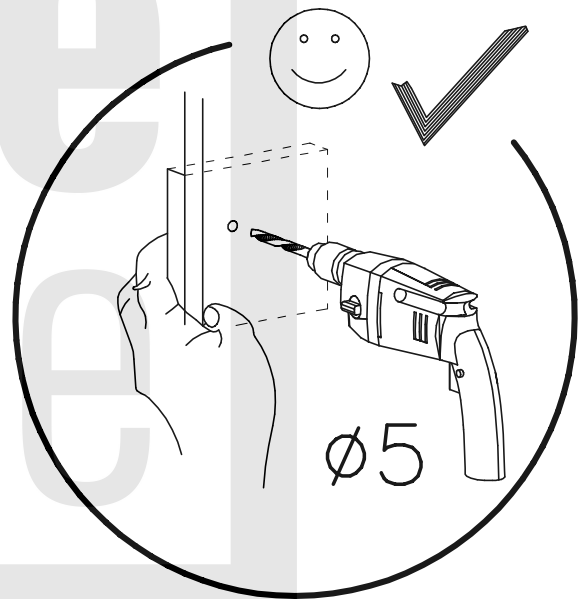
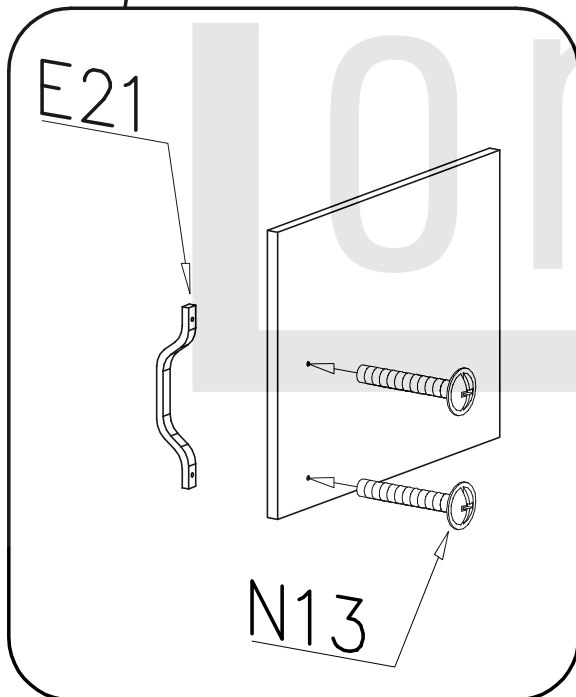
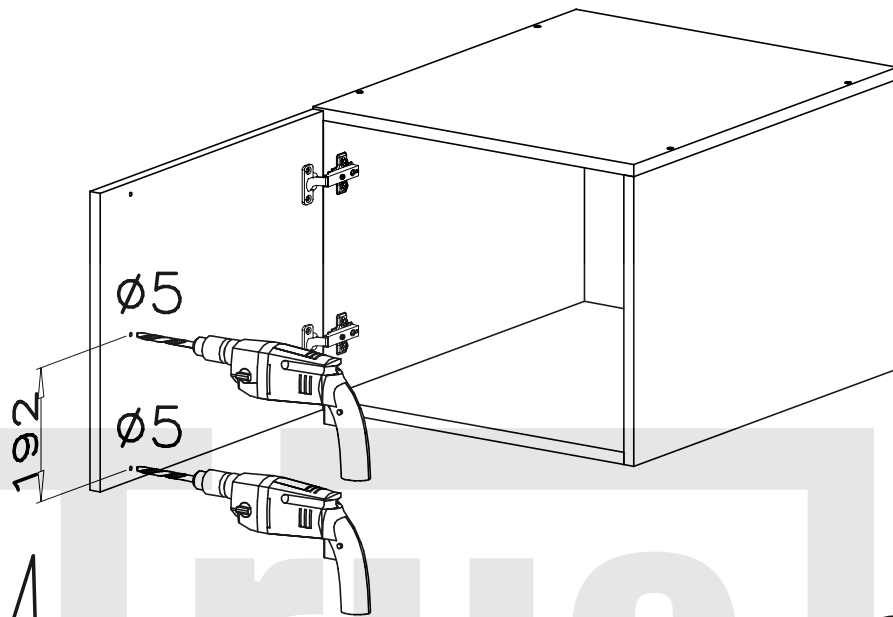


®

VIII

B

L



IX

BRN5

