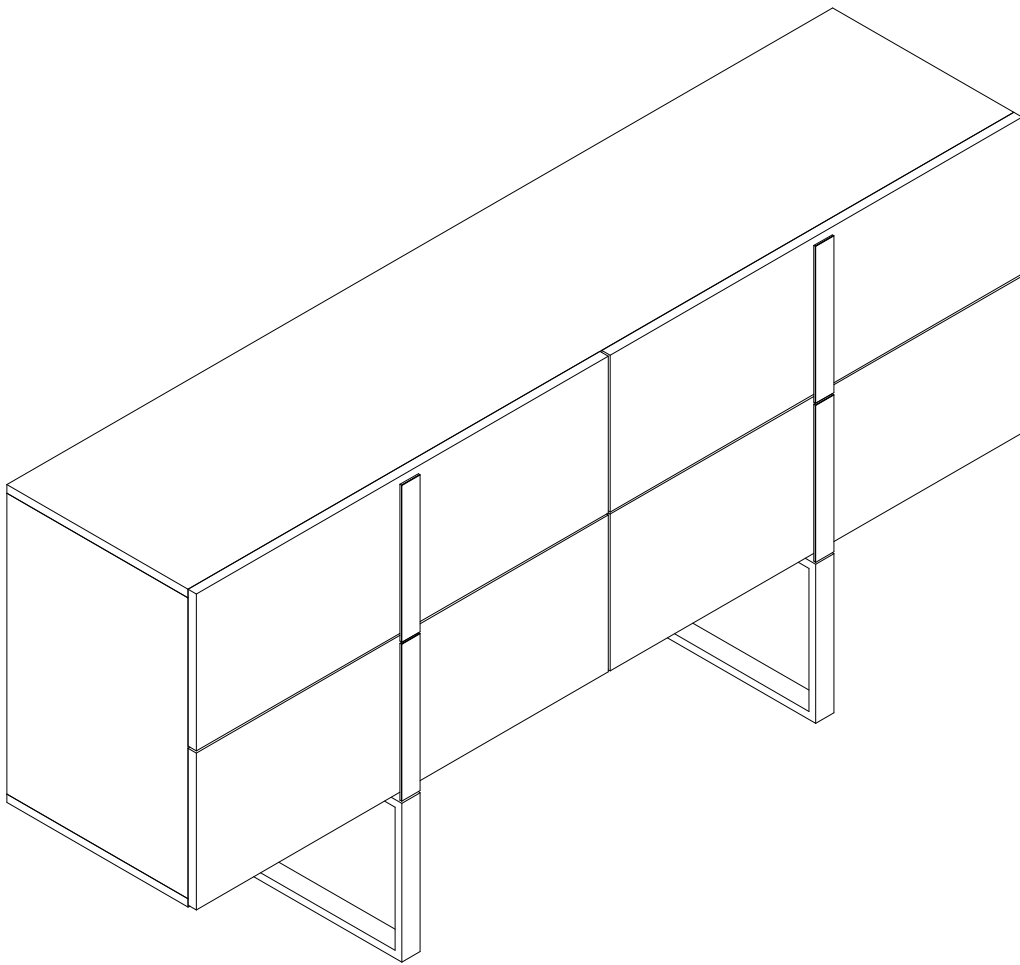
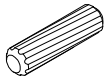
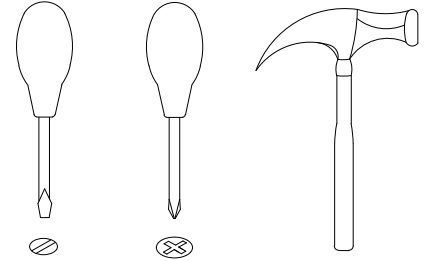
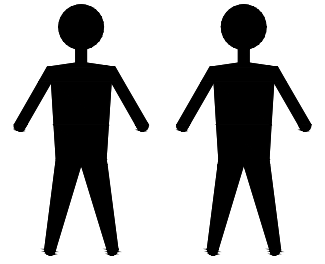


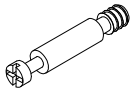
CP1706E



CP1706E



A x36
Spec: $\phi 8 \times 30$



B x26
Spec: $\phi 7 \times L30$



C x40
Spec: $\phi 15 \times H12$



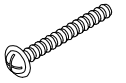
D x24
Spec: $\phi 6 \times L28$



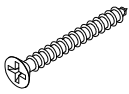
E x24
Spec: $\phi 12 \times H9$



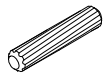
F x24
Spec: $\phi 6 \times L8$



G x8
Spec: $M4 \times L21$



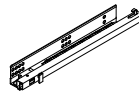
H x16
Spec: $\phi 3.5 \times L35$



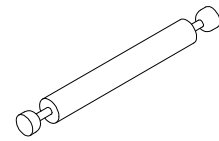
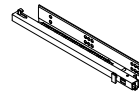
I x48
Spec: $\phi 6 \times 30$



J x2
Spec: 10g



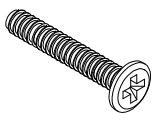
K x4
Spec: L350



L x7
Spec: $\phi 7 \times L66$



M x64
Spec:



N x10
Spec: $M6 \times 50$



O x6
Spec: $M6 \times 25$



P x8
Spec: $M6 \times 15$



Q x24
Spec: $\phi 8 \times \phi 18$



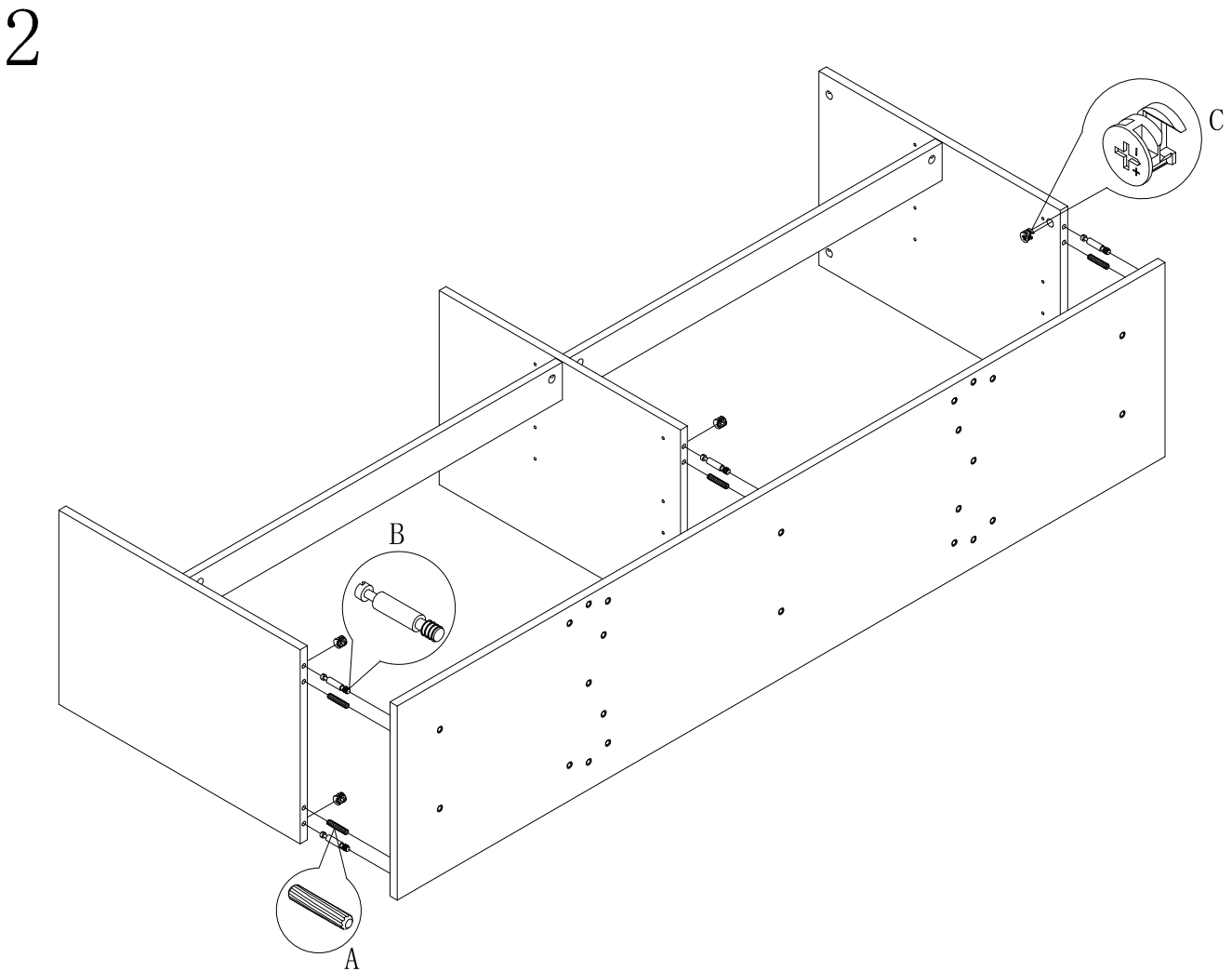
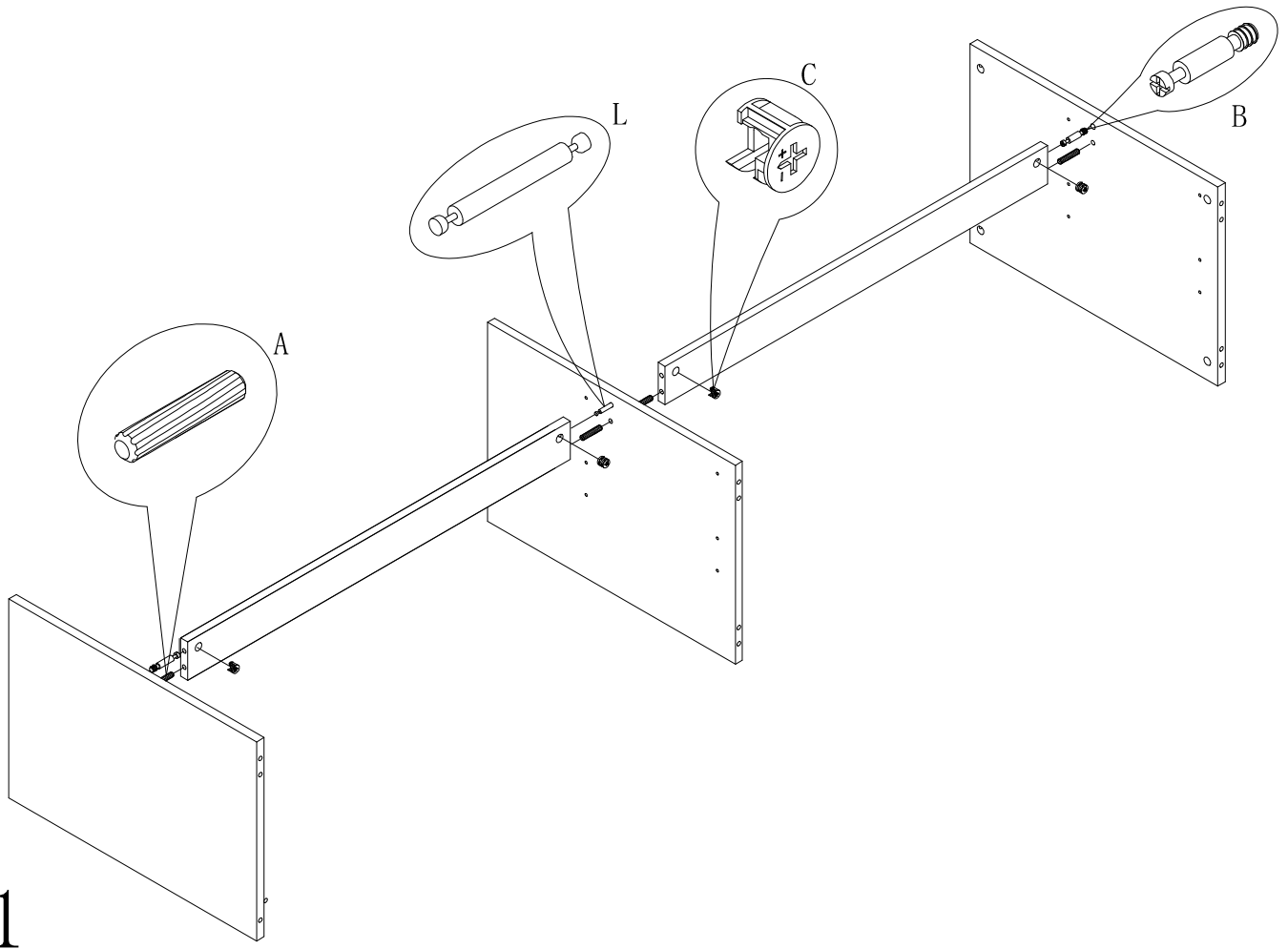
R x4
Spec: 38×38

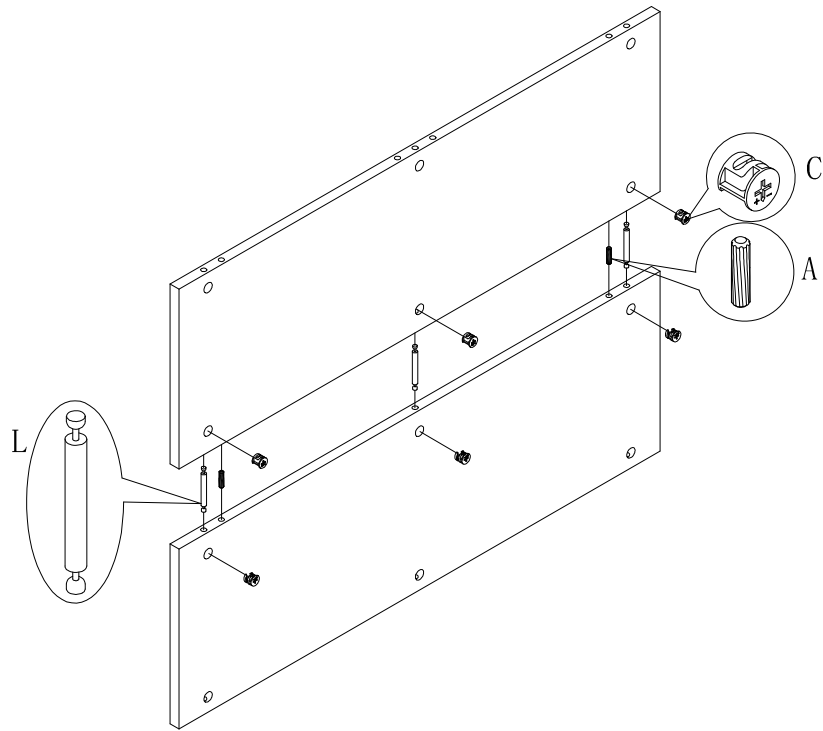


S x1
Spec:



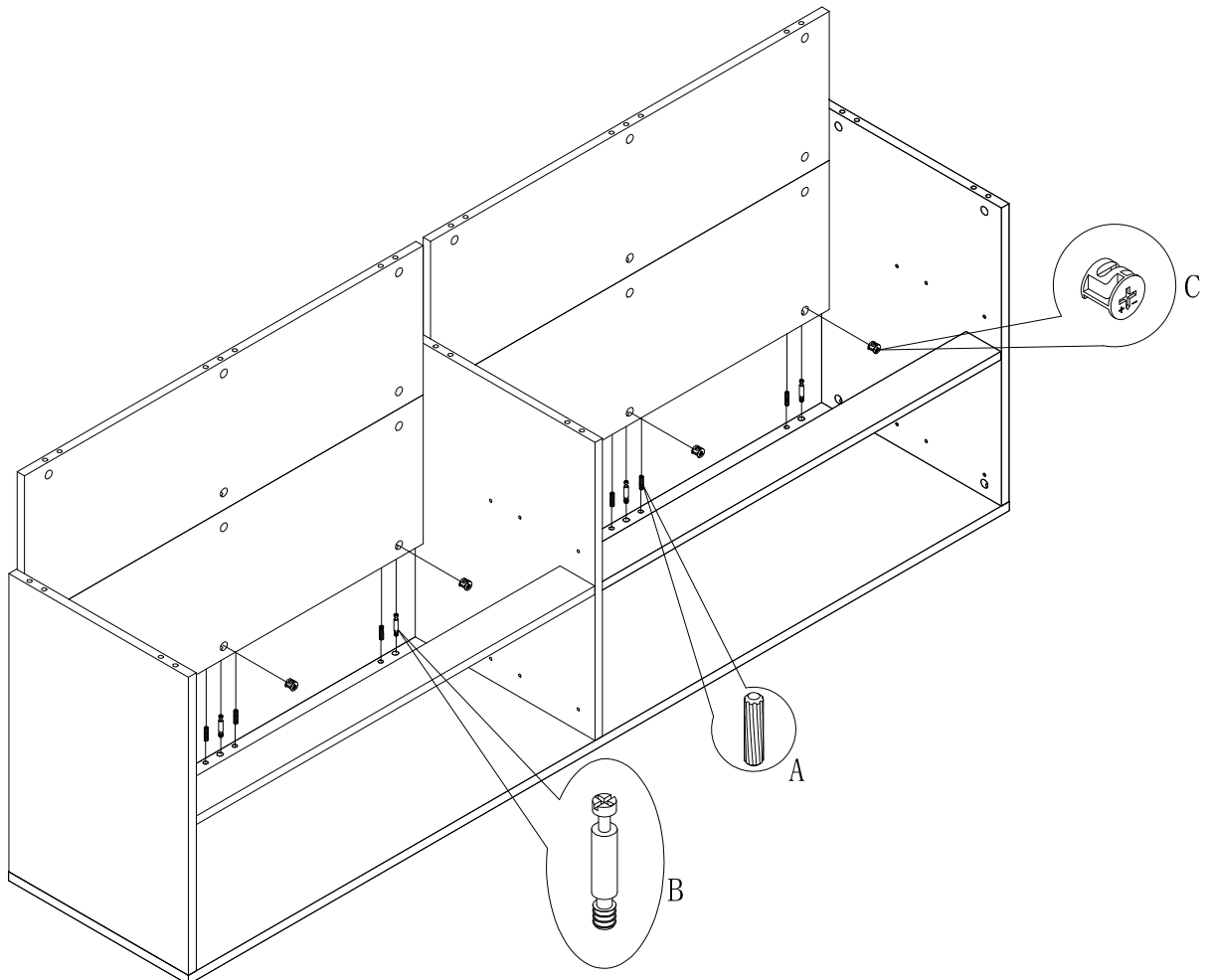
AAA x16
Spec: $\phi 3.8 \times L12$

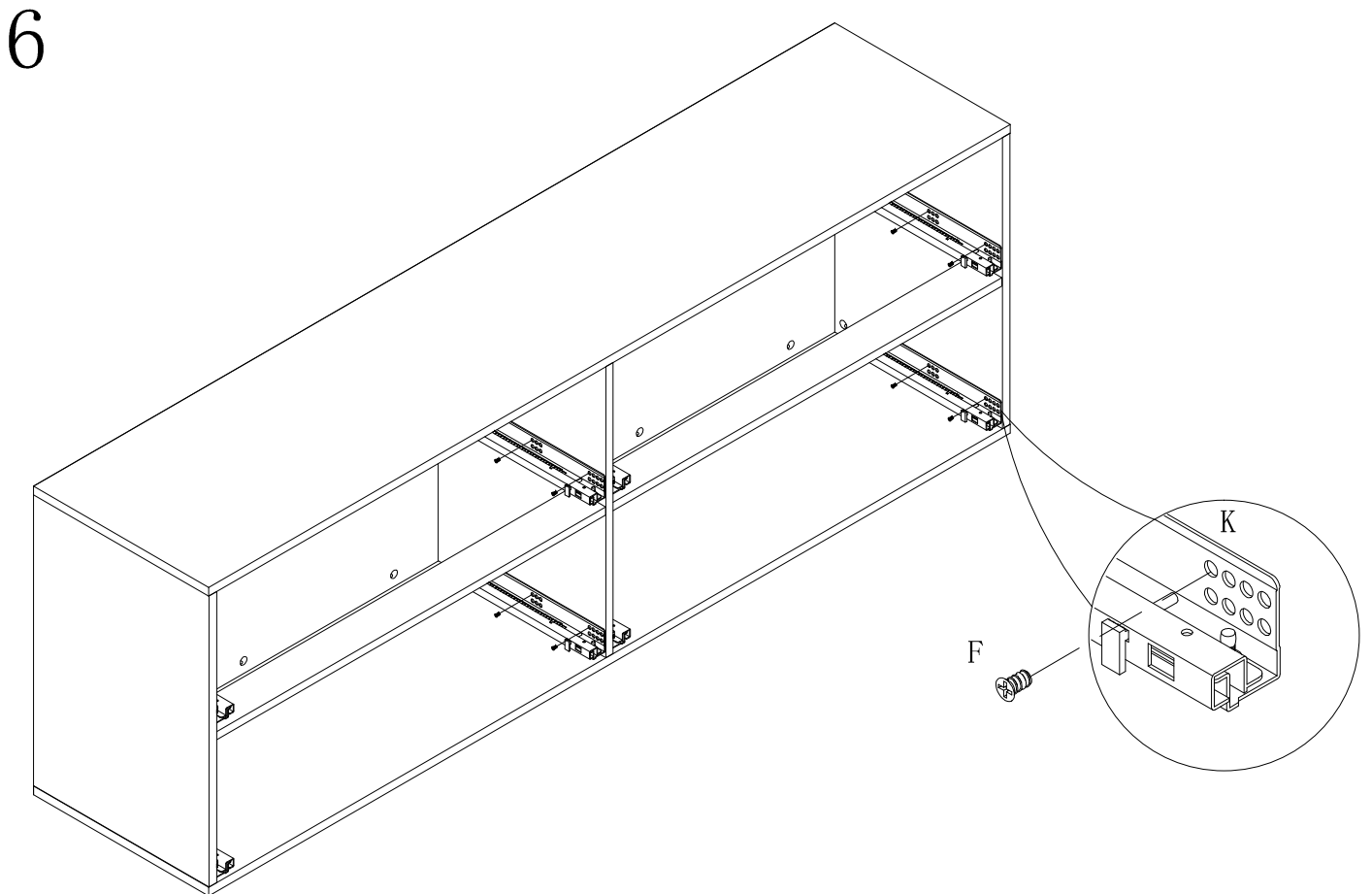
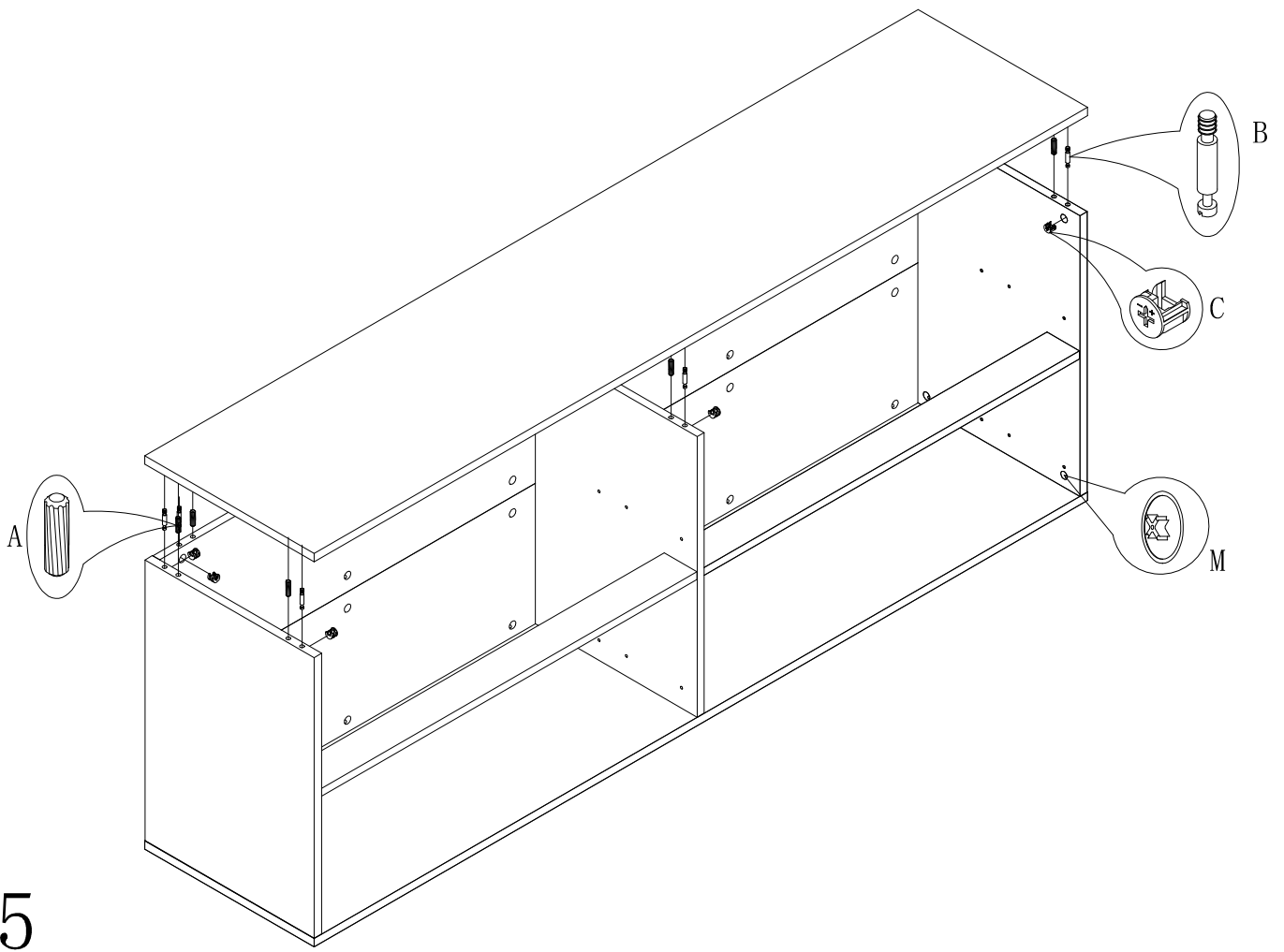


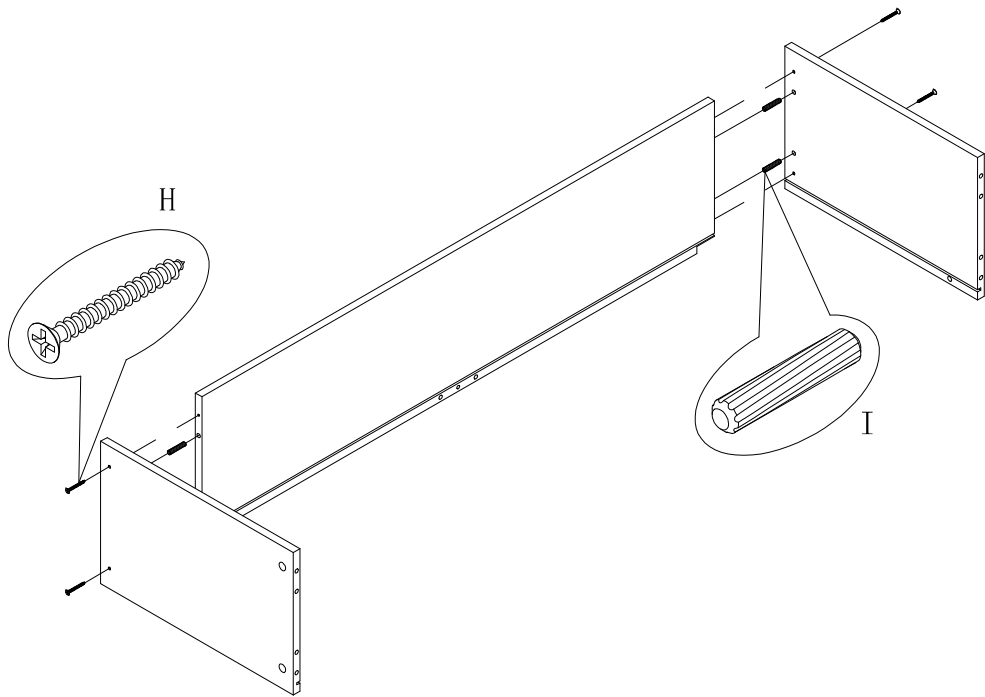


3

4

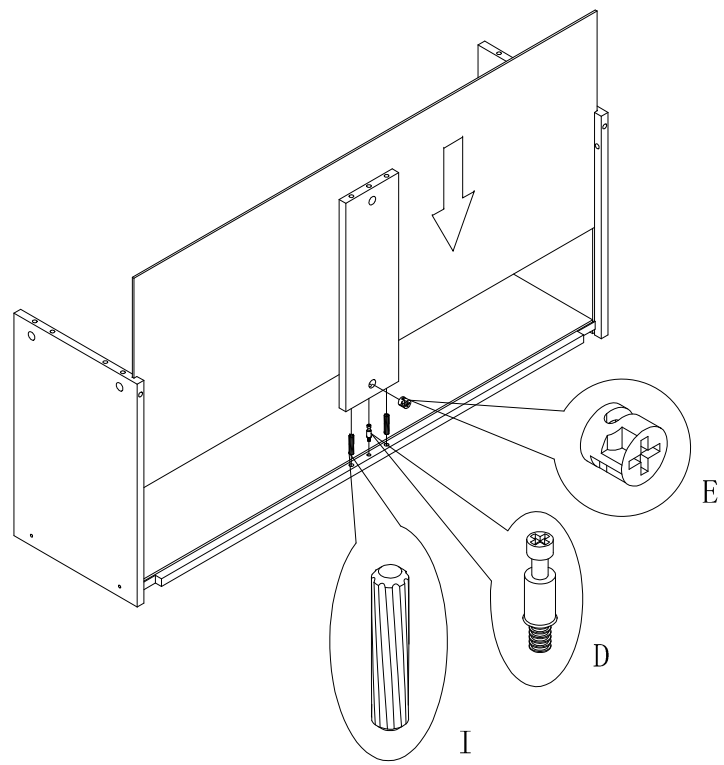


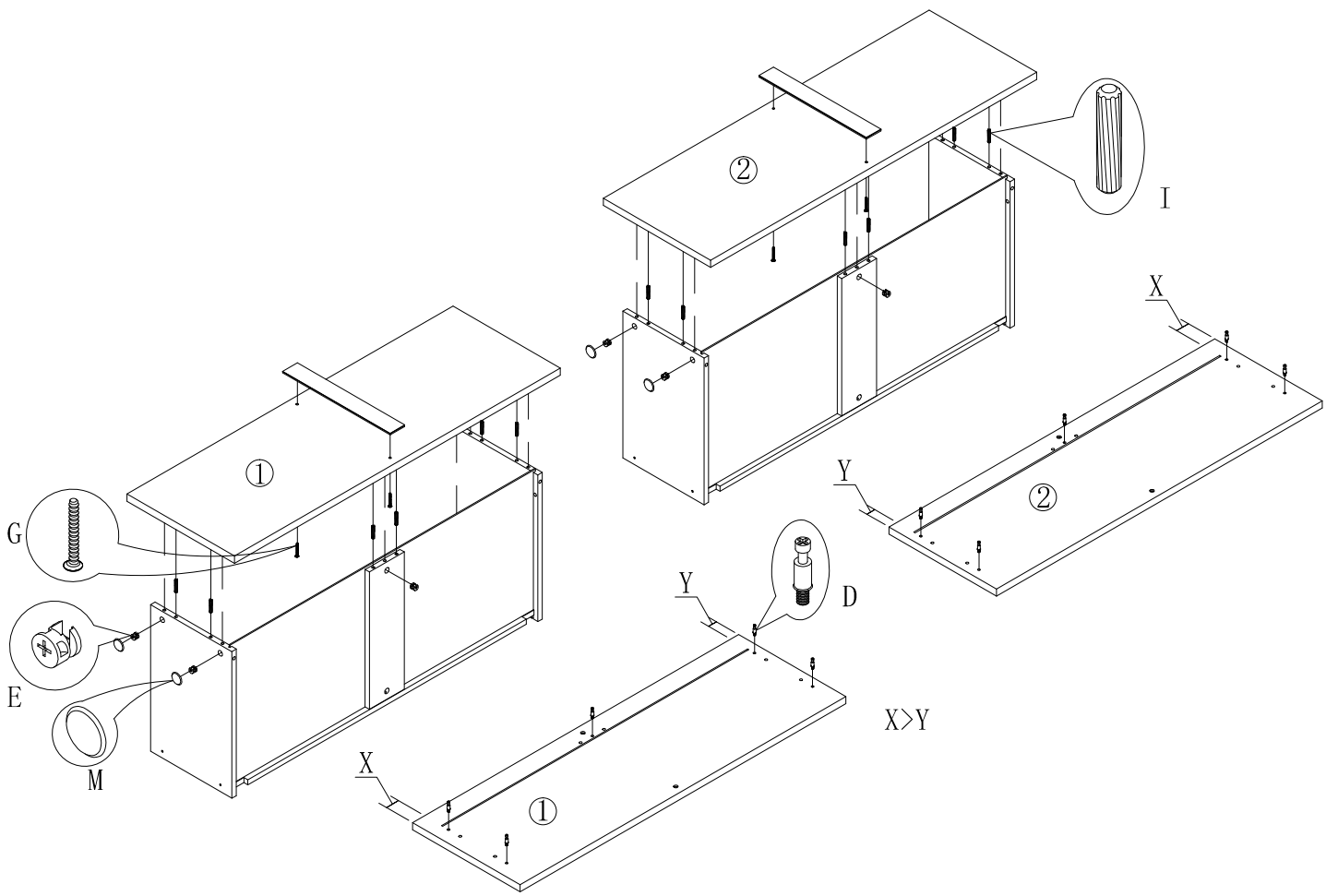




7

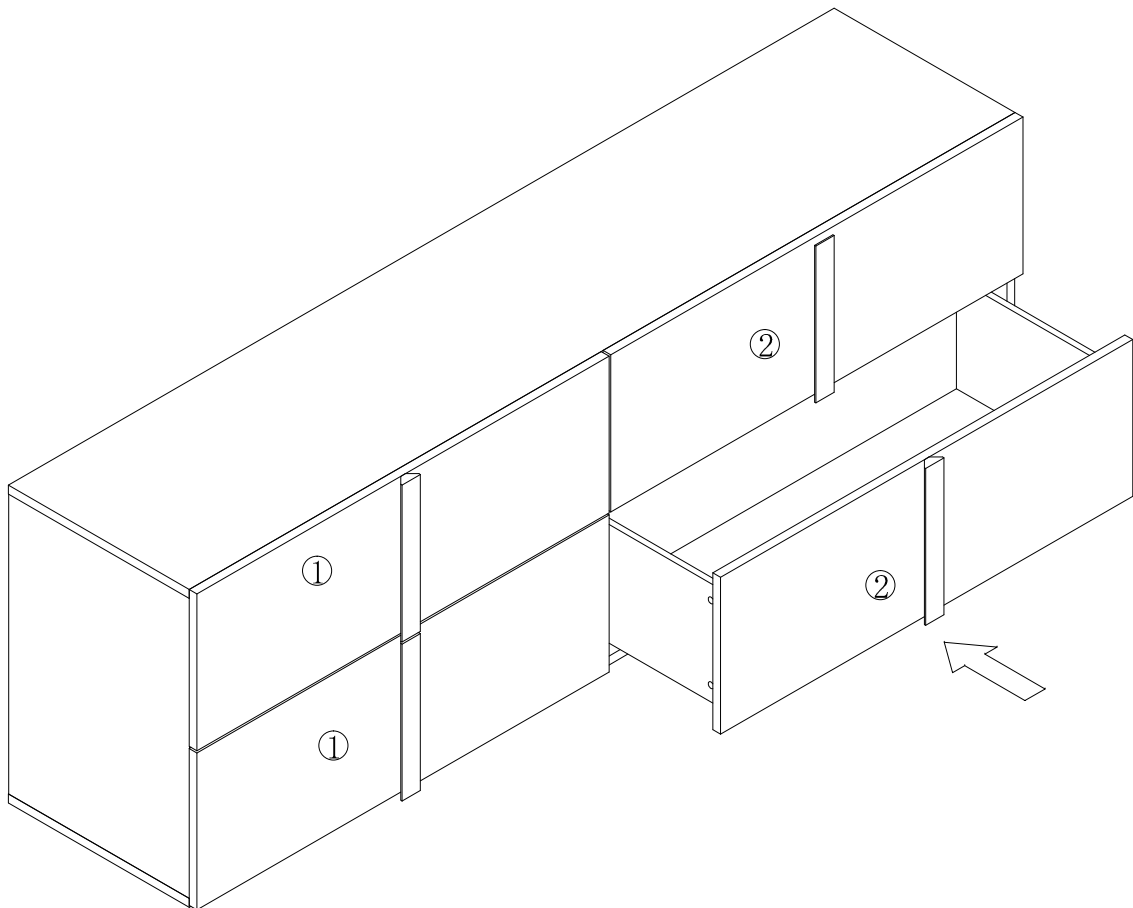
8

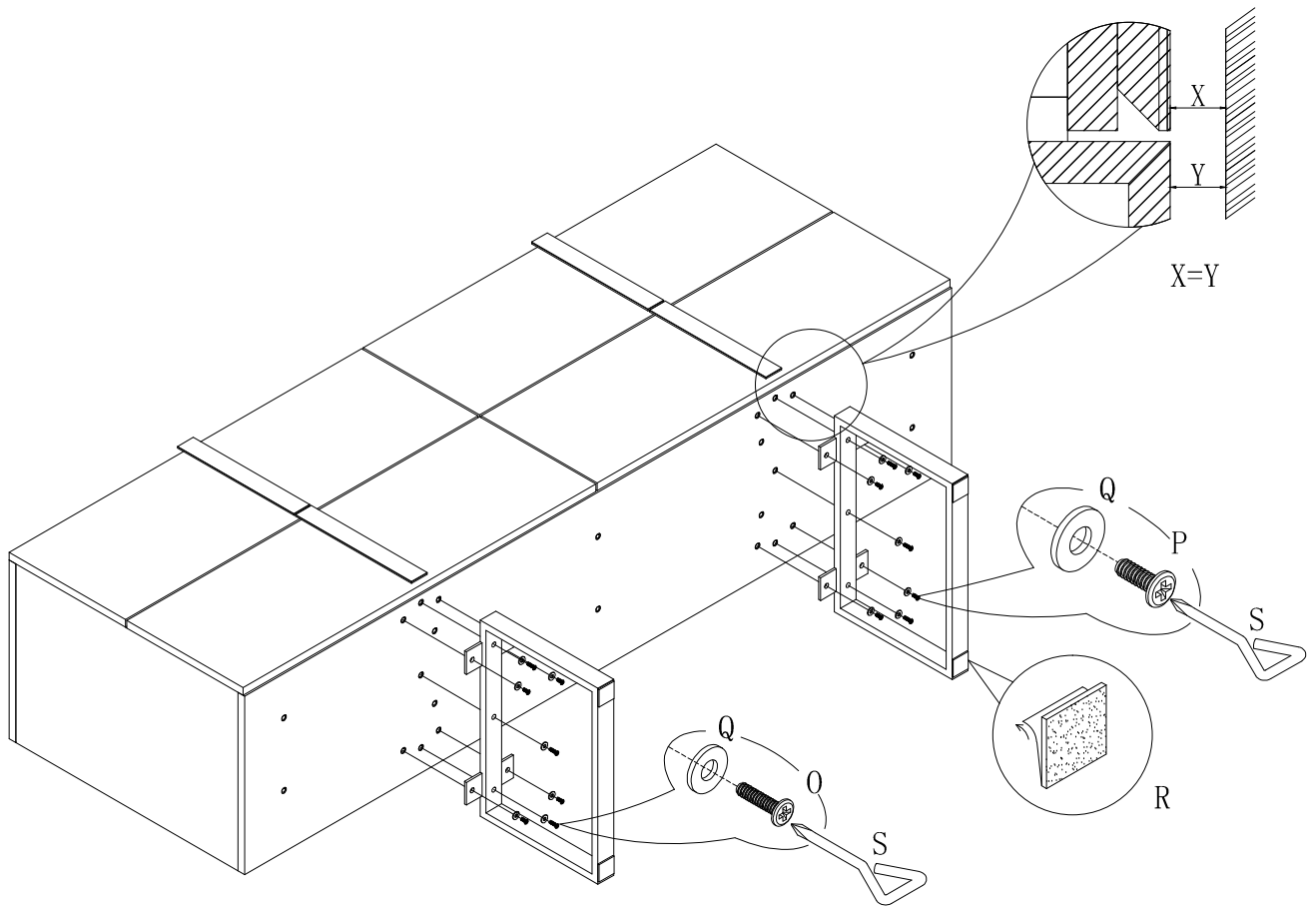




9

10





11

12

