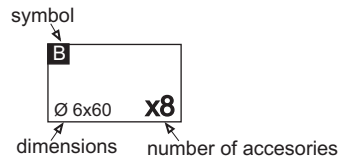
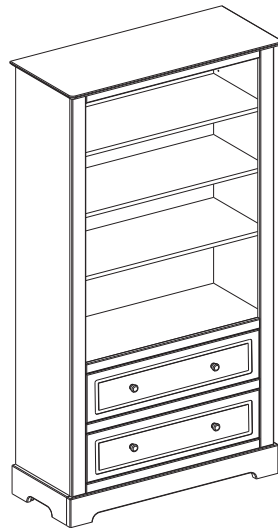




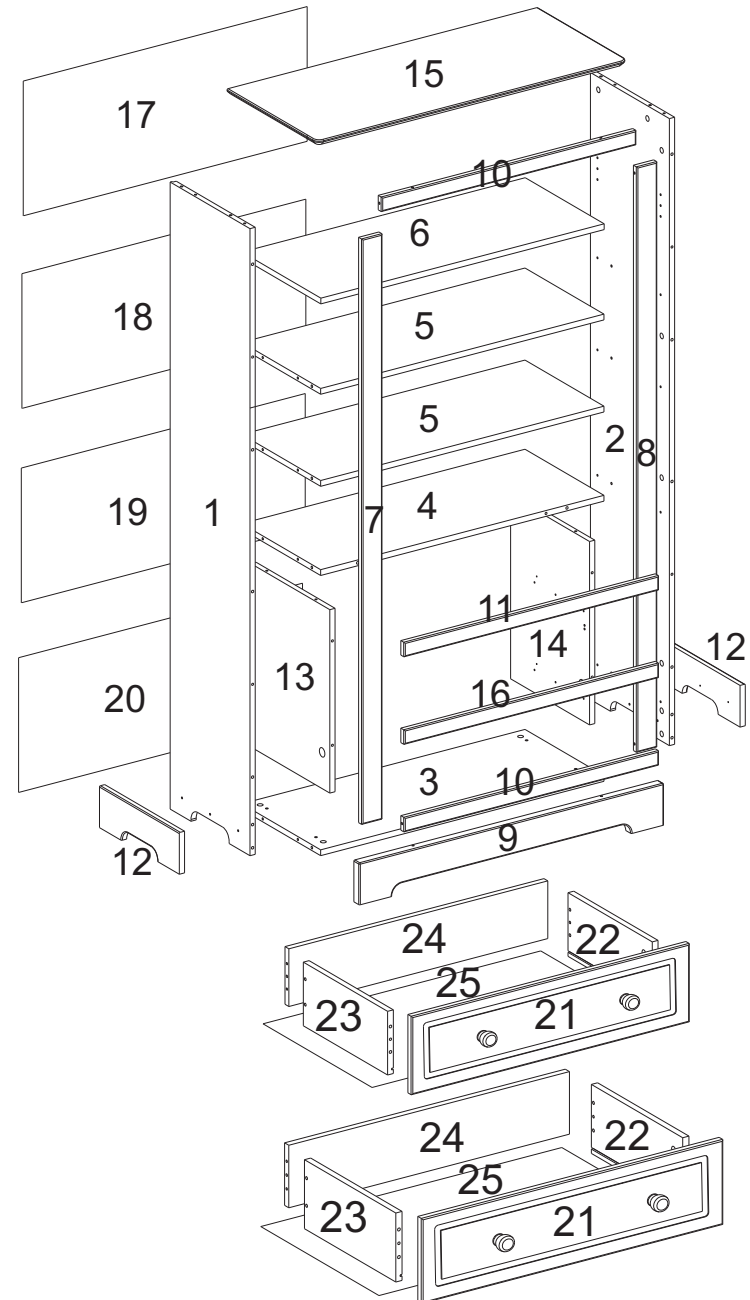
Instruction manual

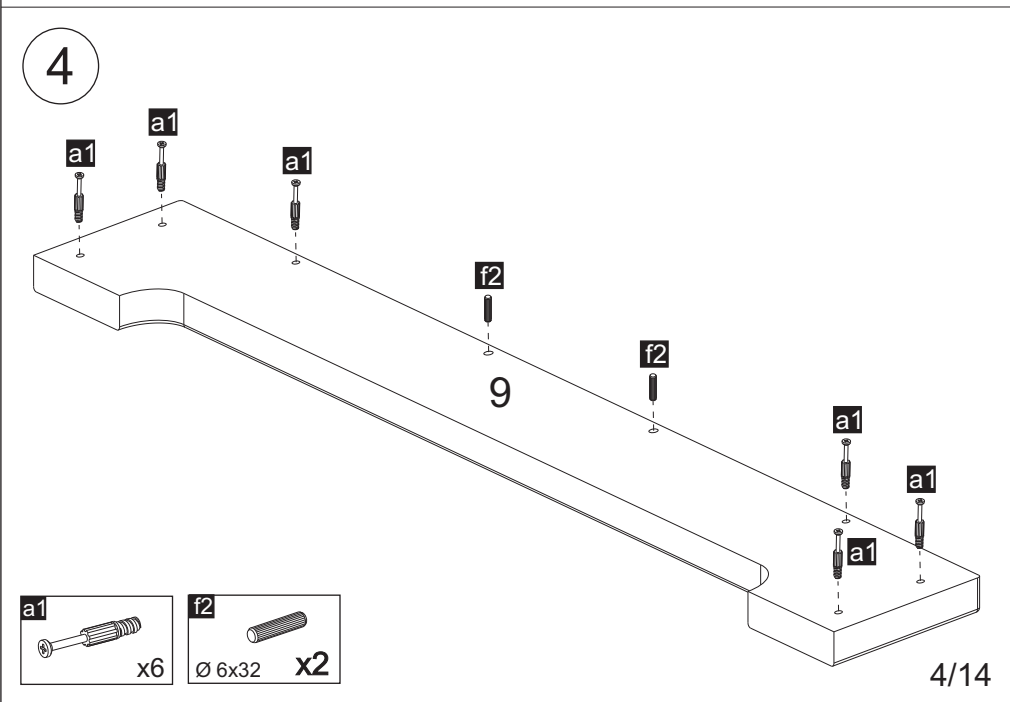
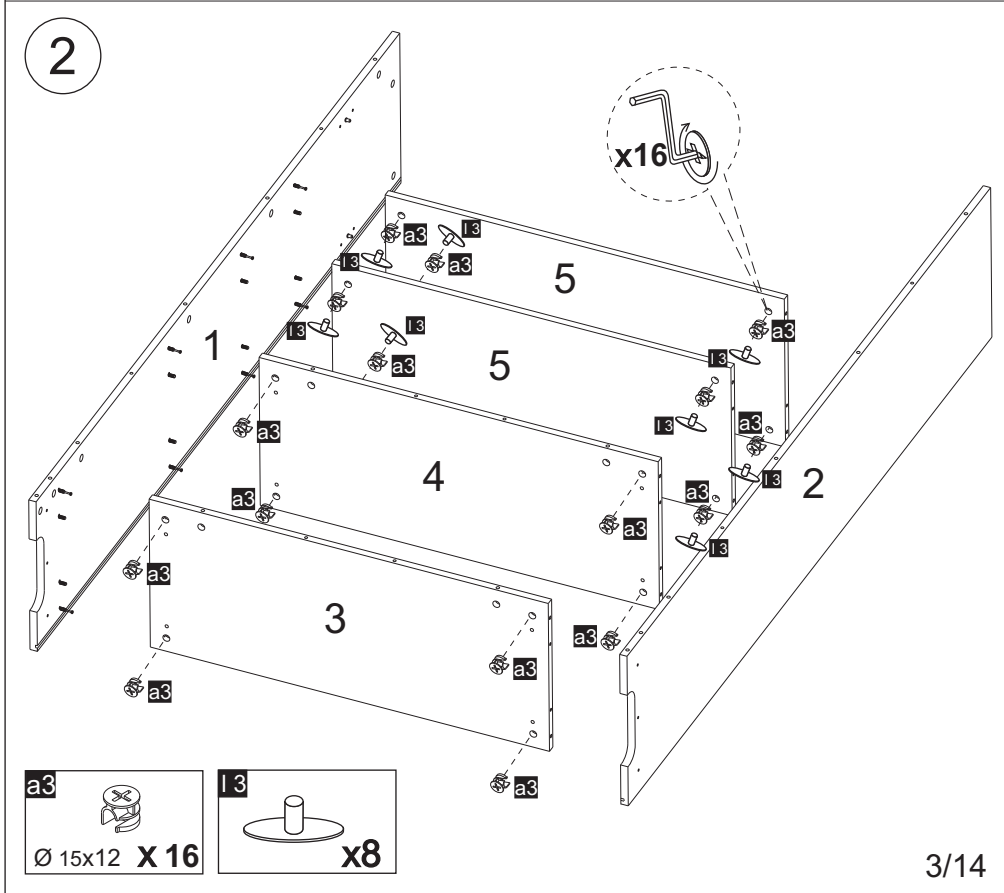
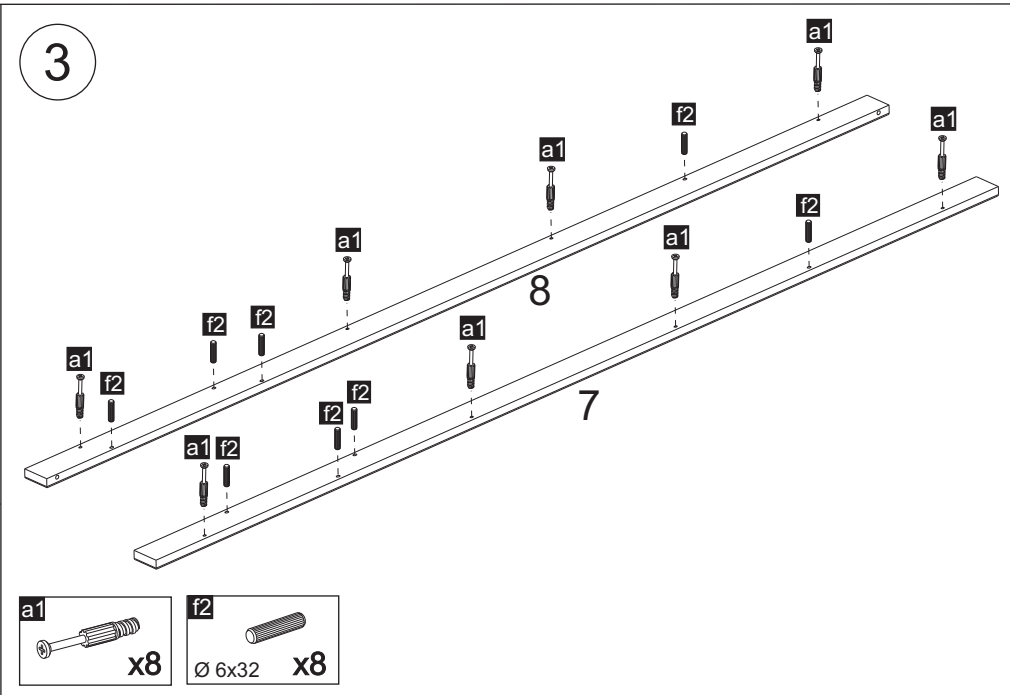
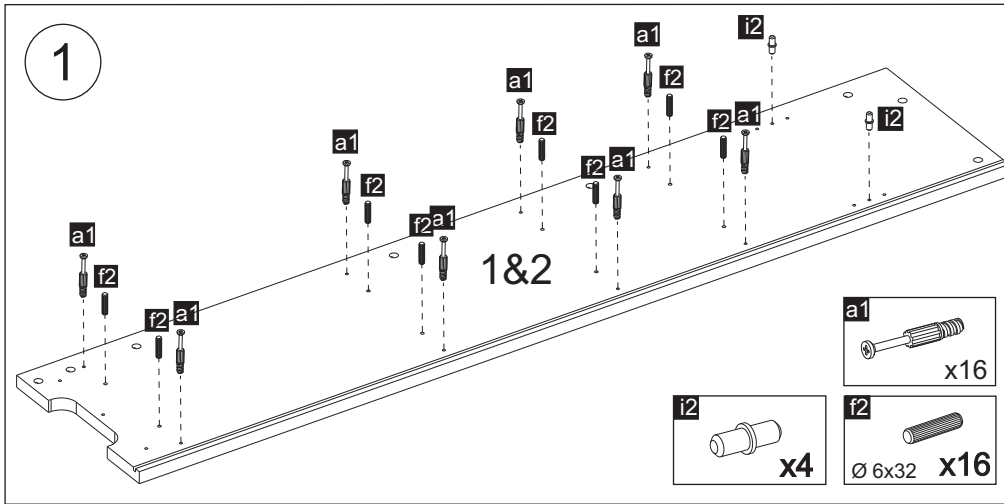
MARYLOU

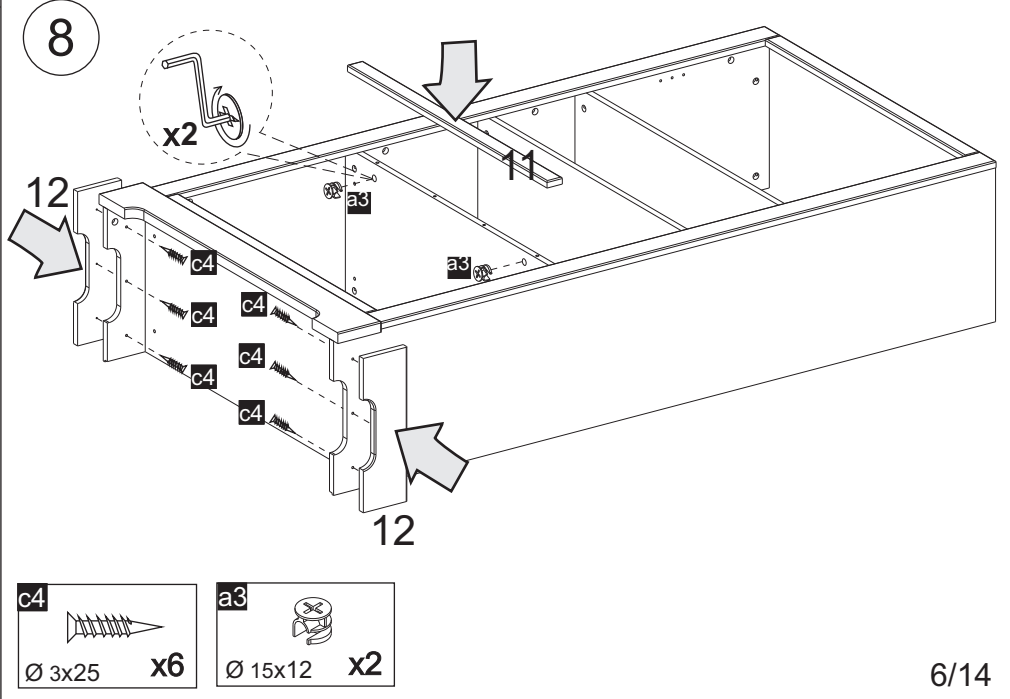
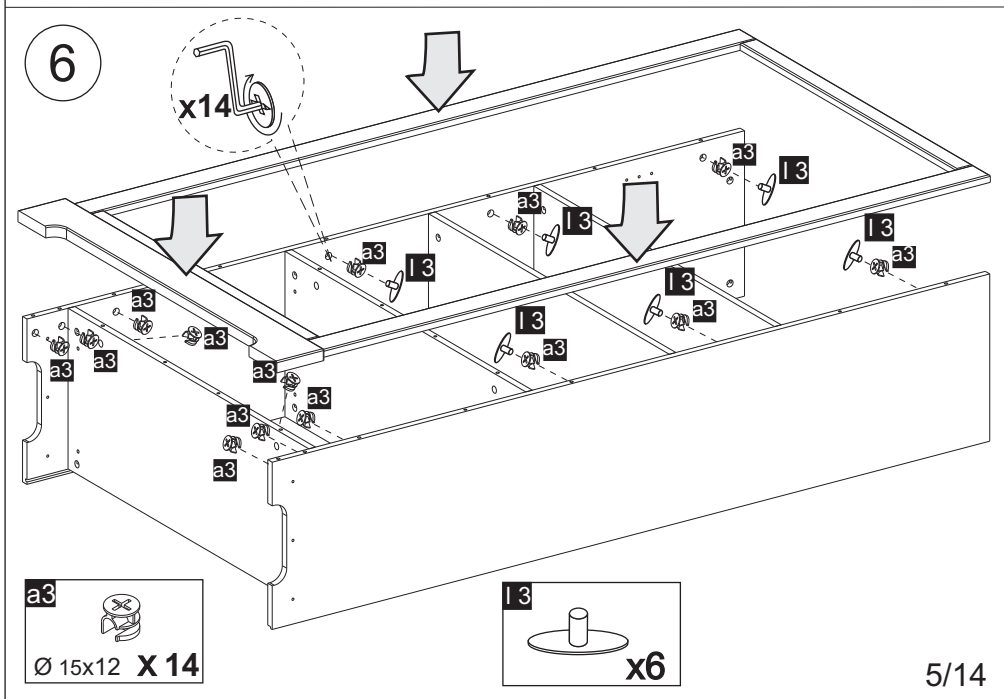
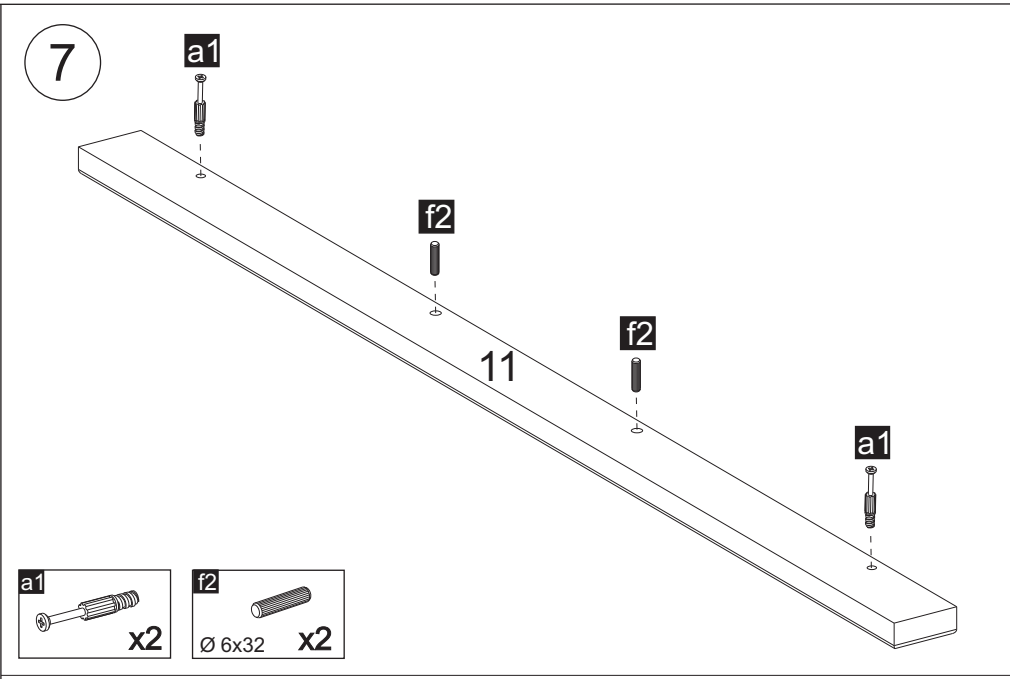
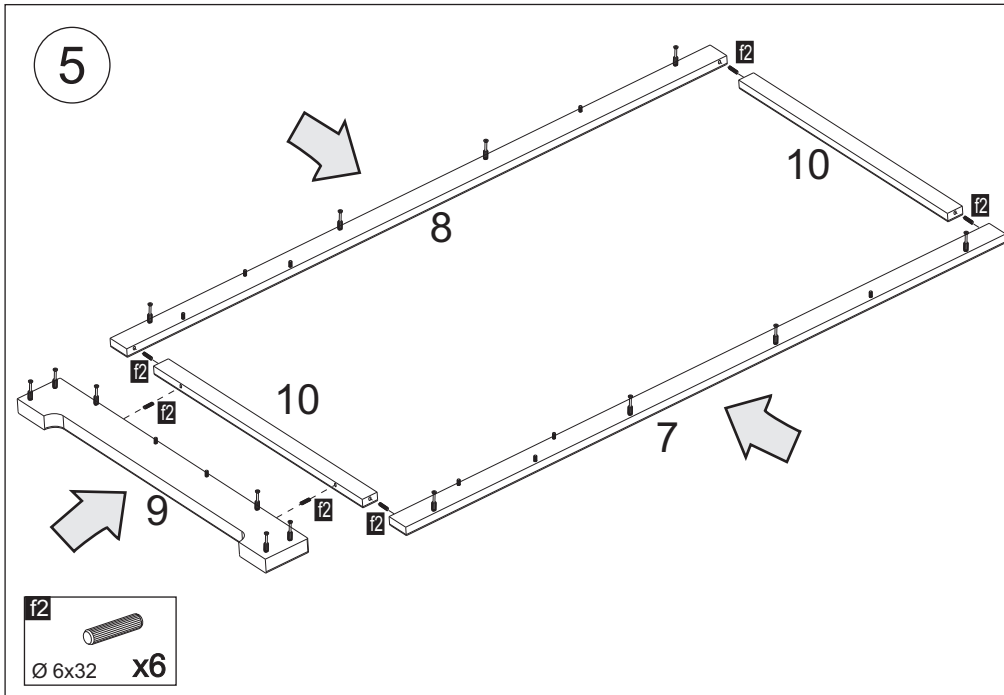
Bookcase



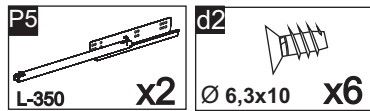
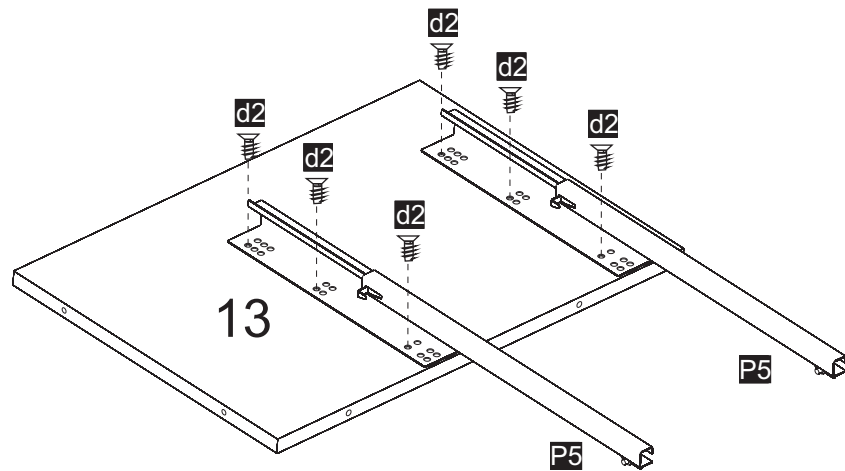
	x1	<b>f2</b> Ø 6x32 <b>x48</b>	<b>a1</b> <b>x44</b>	<b>a3</b> Ø 15x12 <b>x44</b>
<b>b1</b> Ø 7x50 <b>x16</b>	<b>c2</b> Ø 3,5x13 <b>x6</b>	<b>c3</b> Ø 3x20 <b>x61</b>	<b>c4</b> Ø 3x25 <b>x6</b>	<b>e1</b> M4x24 <b>x4</b>
<b>s2</b> x2	Ø 3x15 <b>x1</b>	<b>l2</b> <b>x4</b>	<b>l3</b> <b>x18</b>	<b>k1</b> <b>x15</b>
<b>d2</b> Ø 6,3x10 <b>x12</b>	<b>P4</b> L-350 <b>x2</b>	<b>P5</b> L-350 <b>x2</b>	<b>n1</b> <b>x25</b>	<b>P1</b> <b>x4</b>
<b>x1</b>	<b>i2</b> <b>x4</b>	podkładka metalowa <b>x2</b>	Ø 5x40 <b>x1</b>	<b>x1</b>



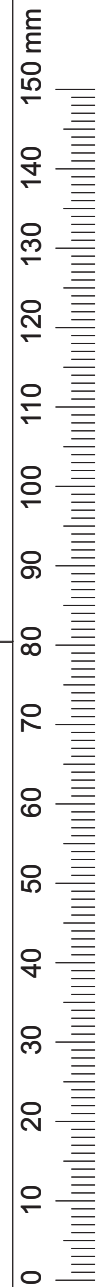
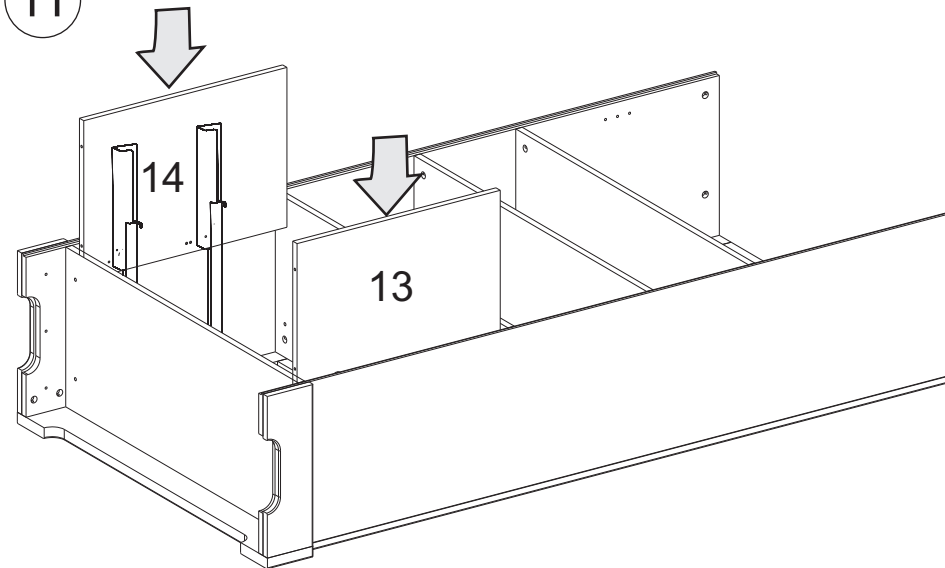




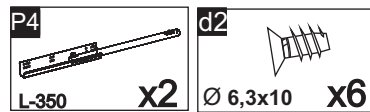
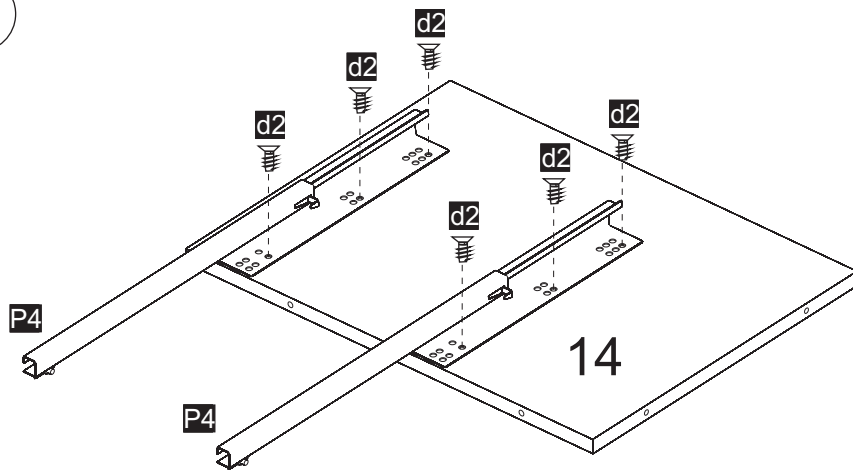
9



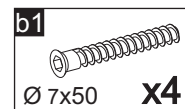
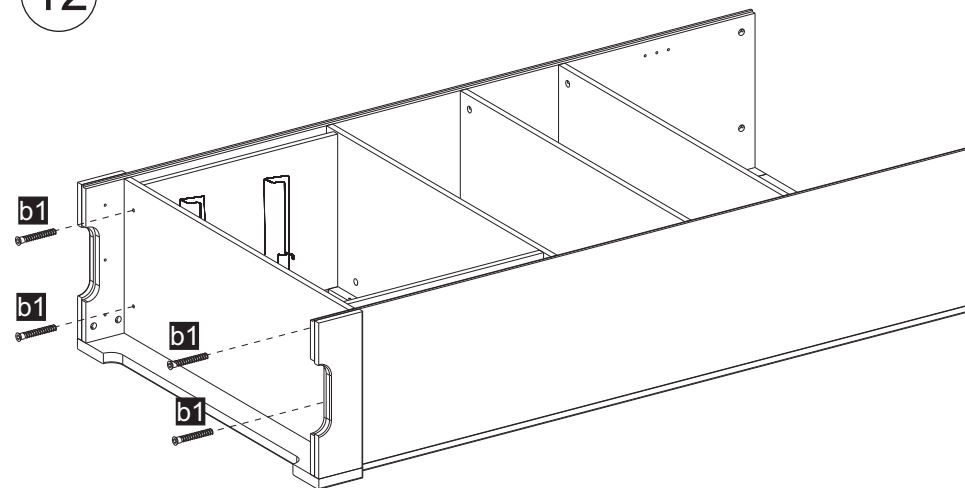
11



10



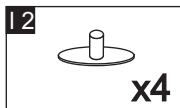
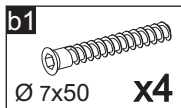
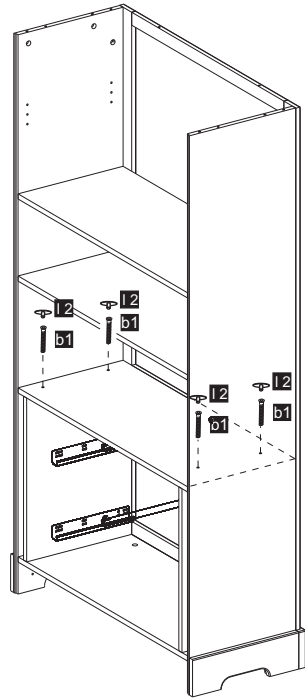
12



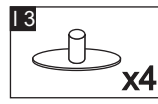
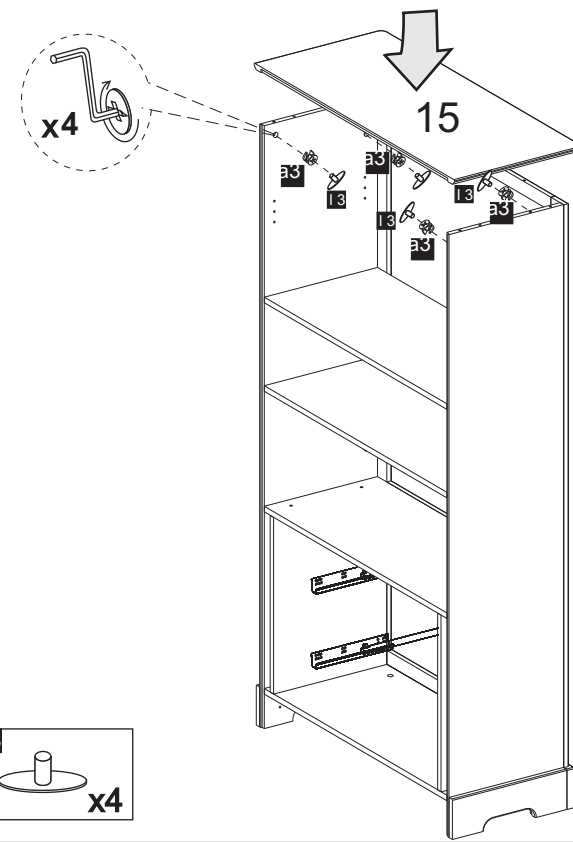
7/14

8/14

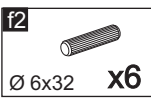
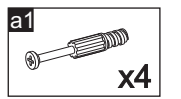
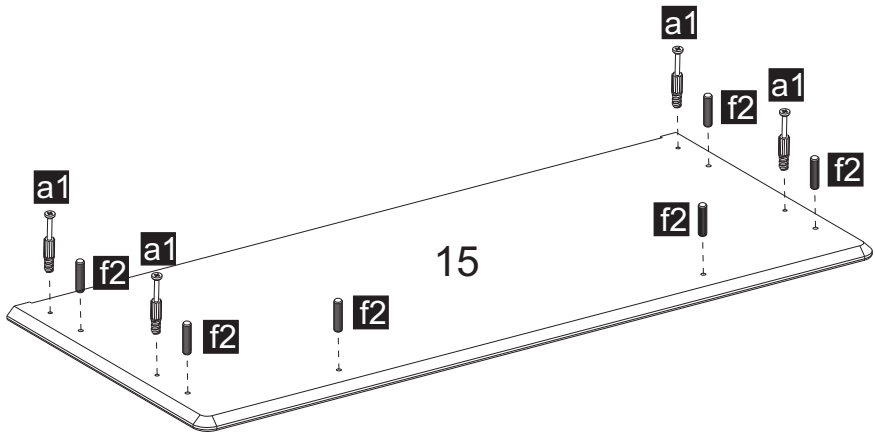
13



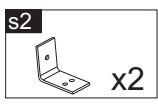
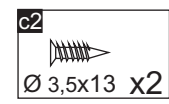
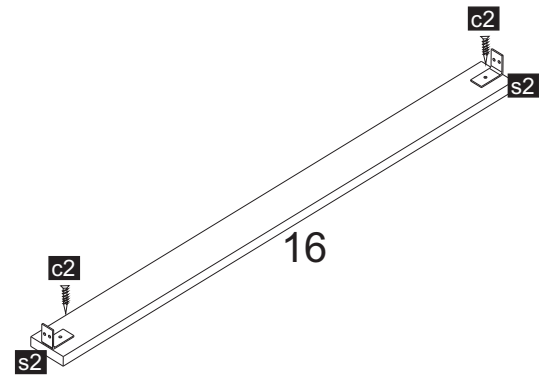
15



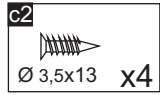
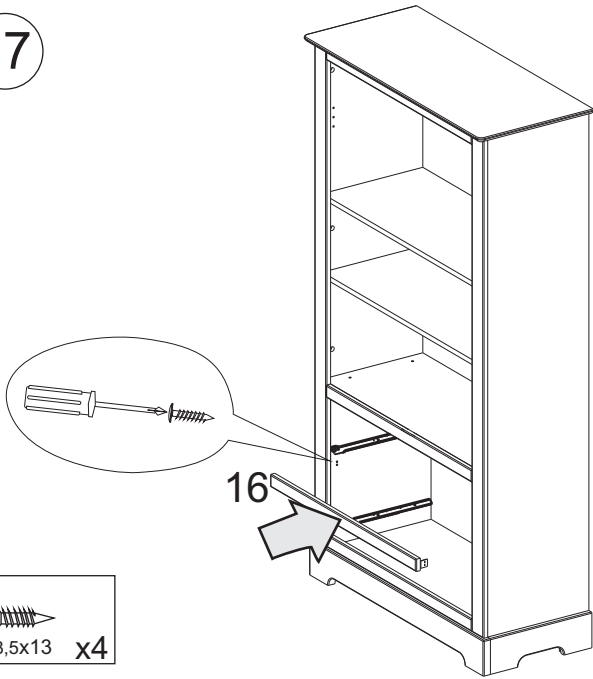
14



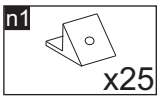
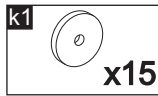
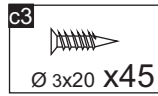
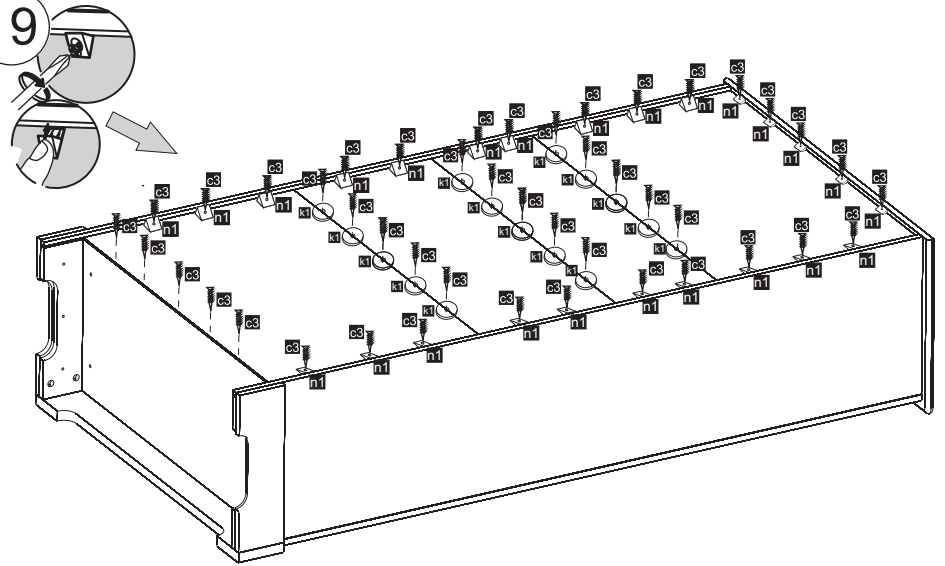
16



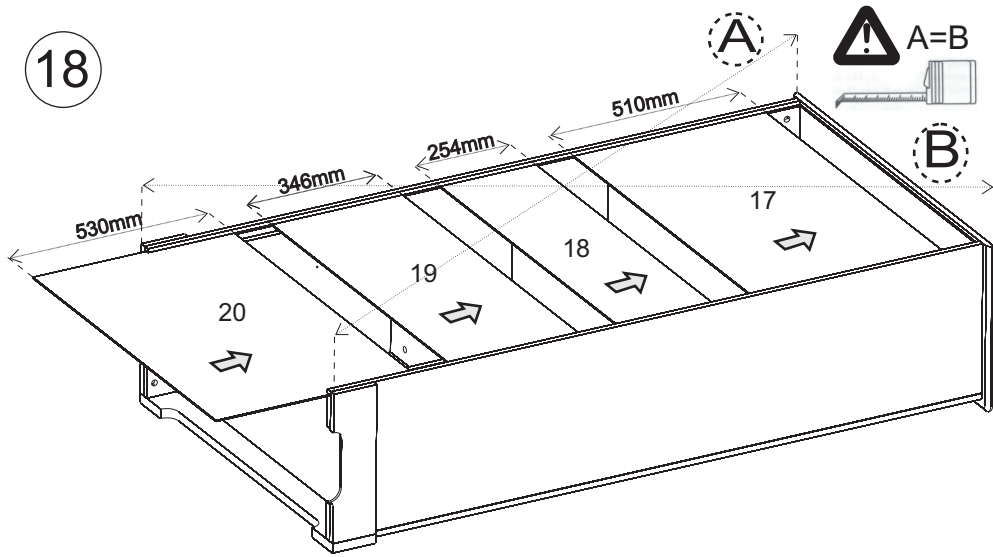
17



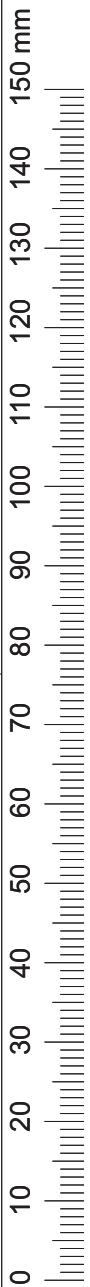
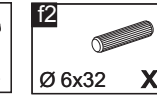
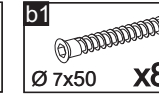
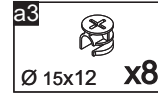
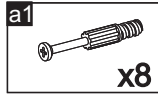
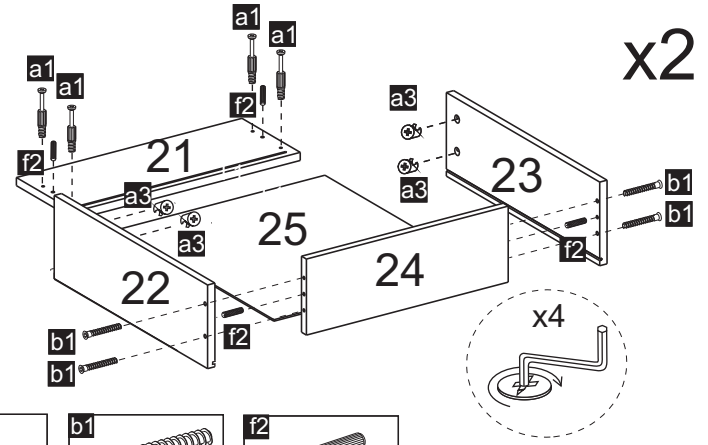
19



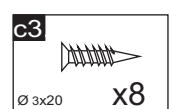
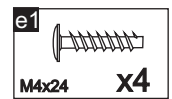
18



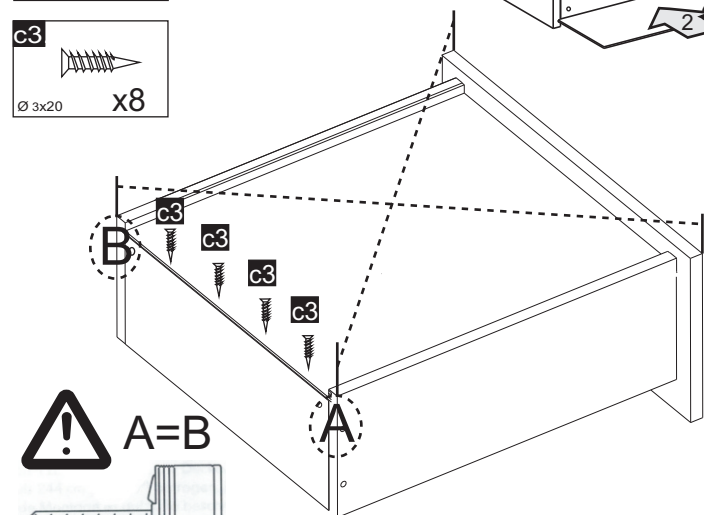
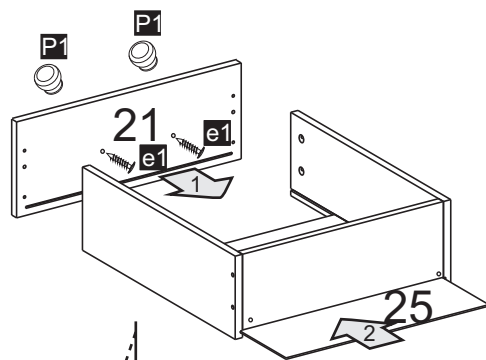
20



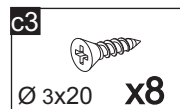
21



x2

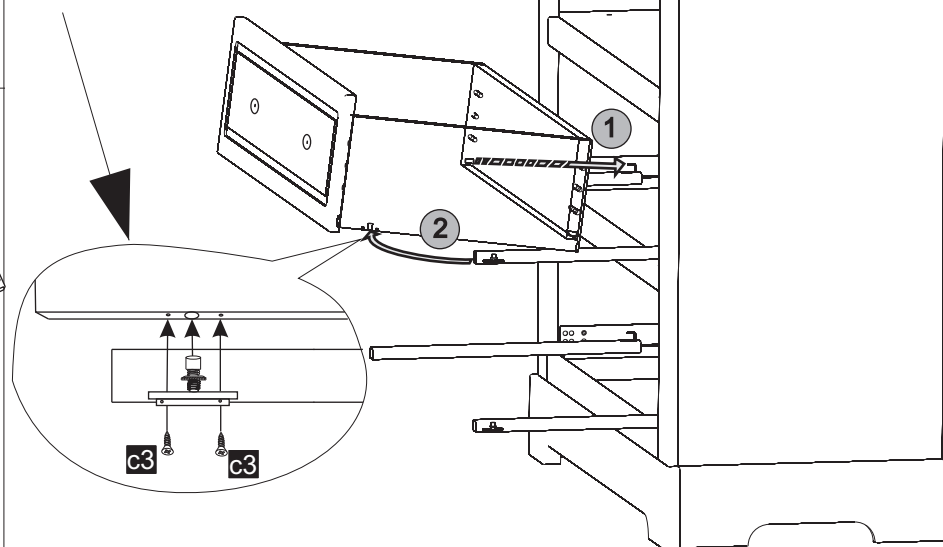


23



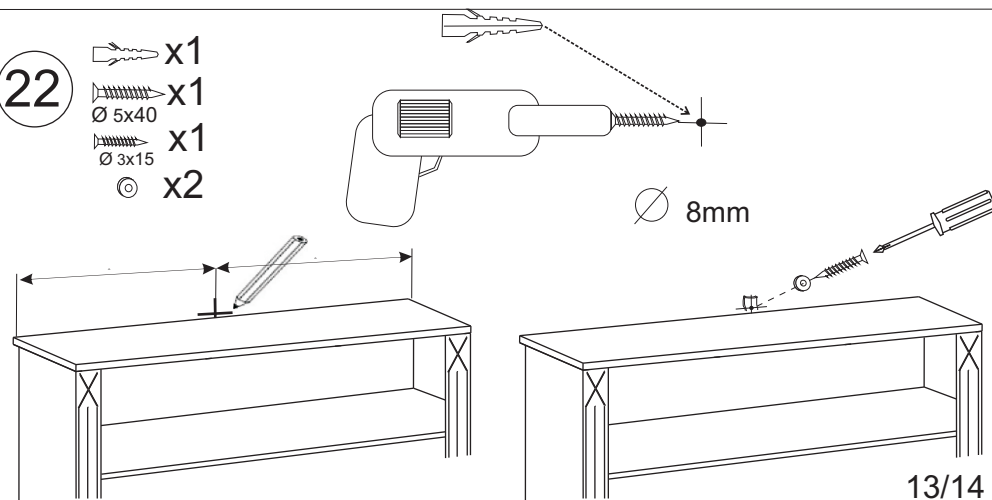
x2

pre-tighten the screw adjusting to the end (lowest position), then after installation adjust the drawer After adjusting the drawer secure it with screws „c3”.



22

- x1
- x1
- Ø 5x40
- x1
- Ø 3x15
- x2



14/14

