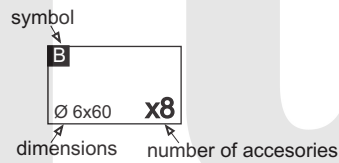
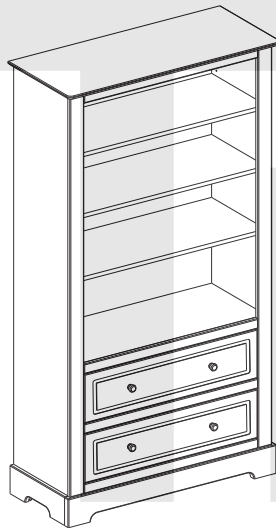


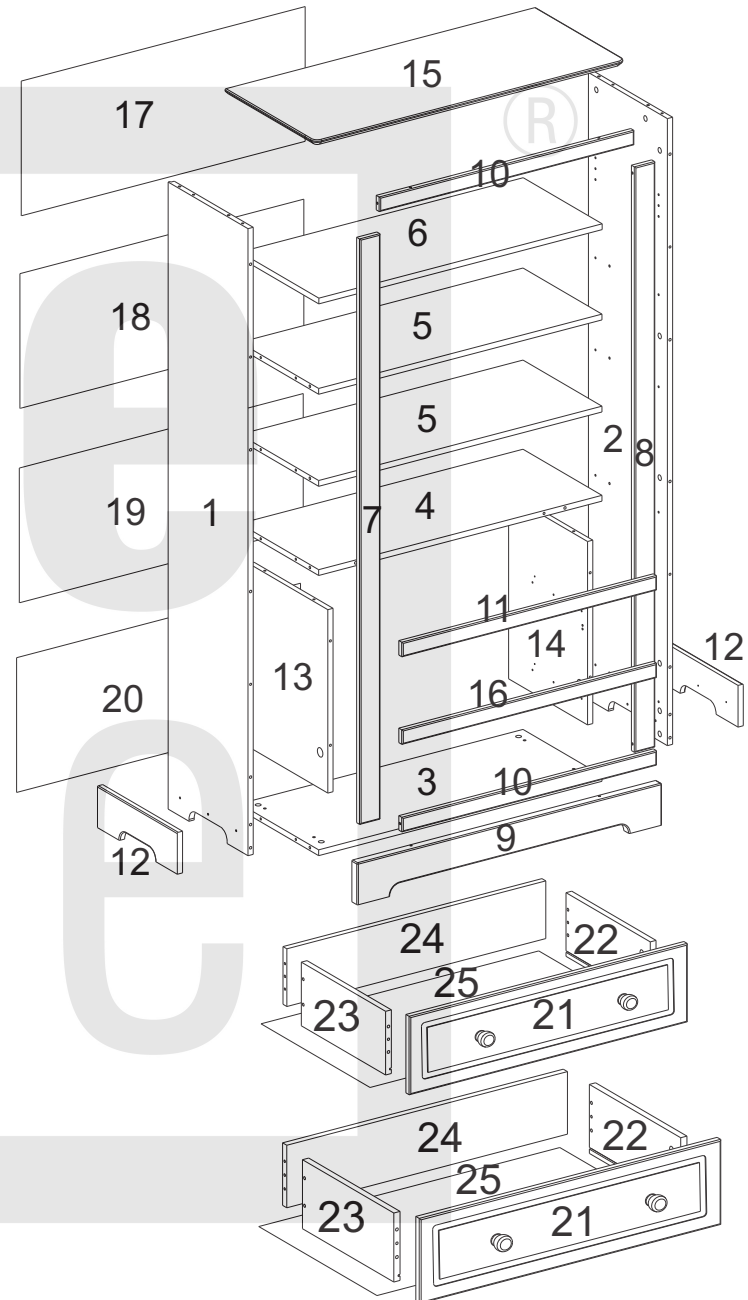
Instruction manual

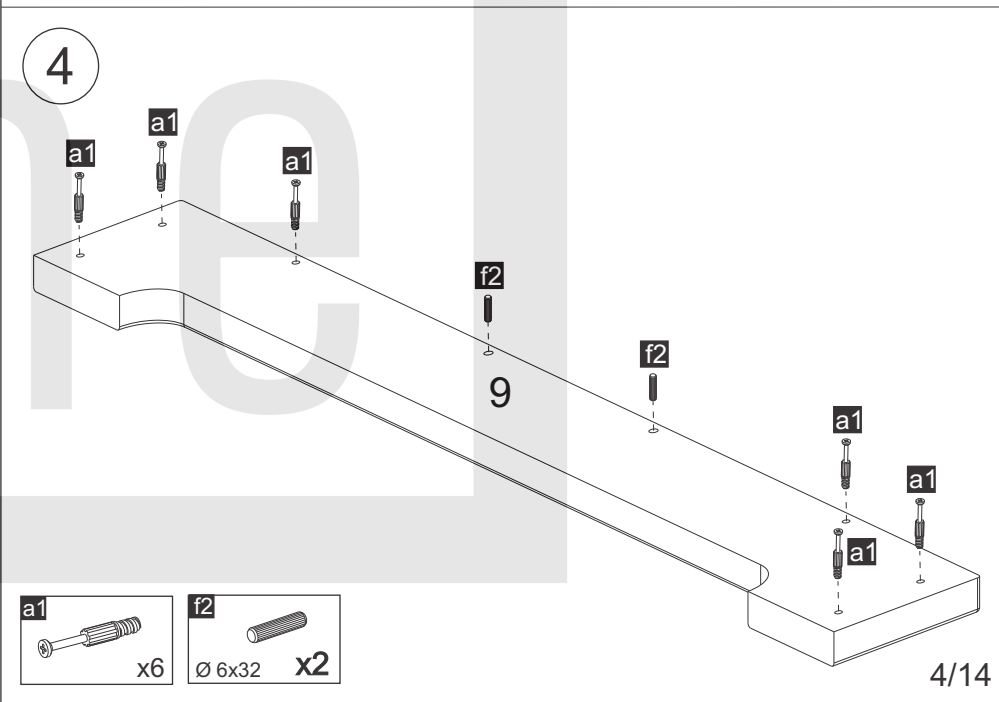
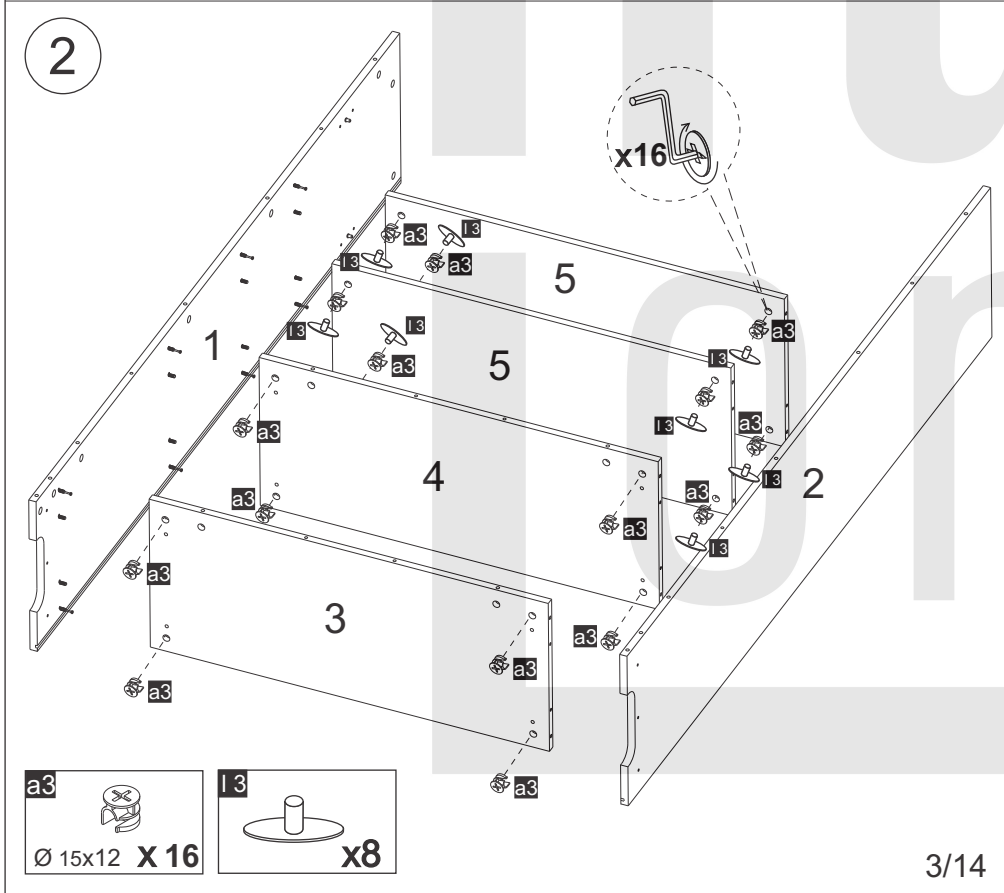
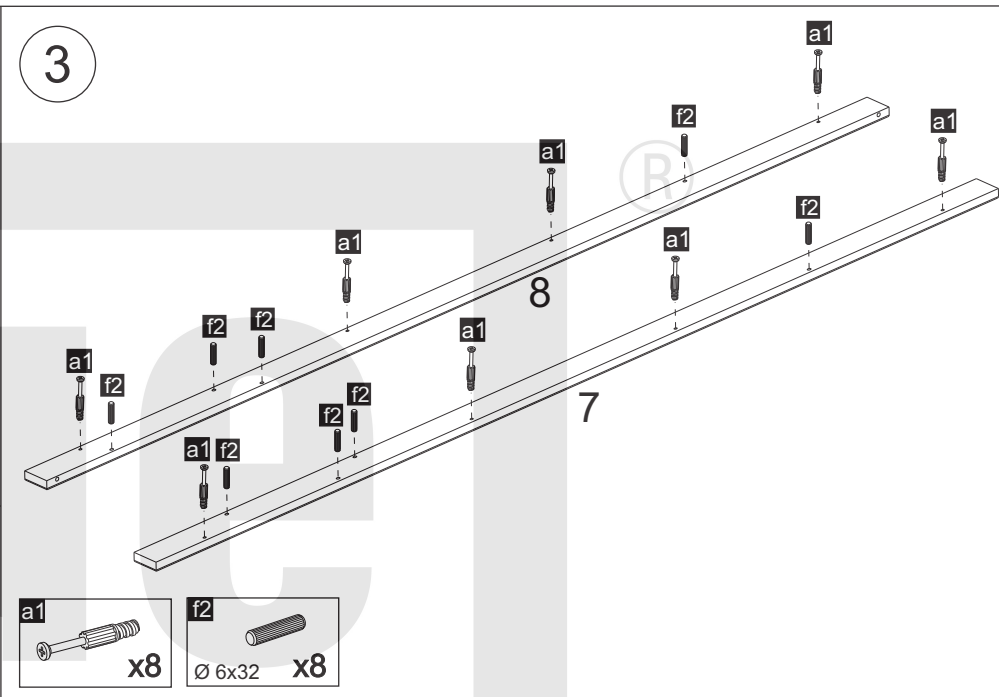
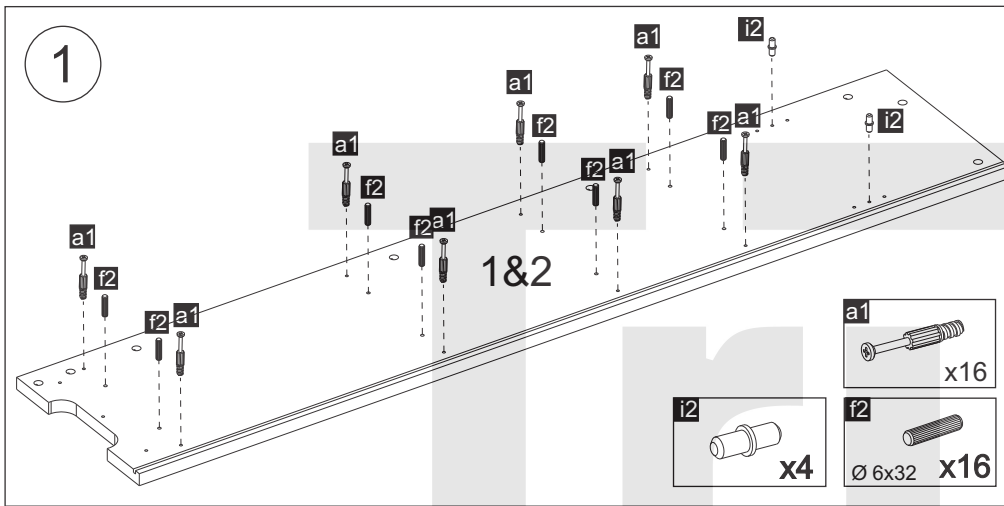
MARYLOU

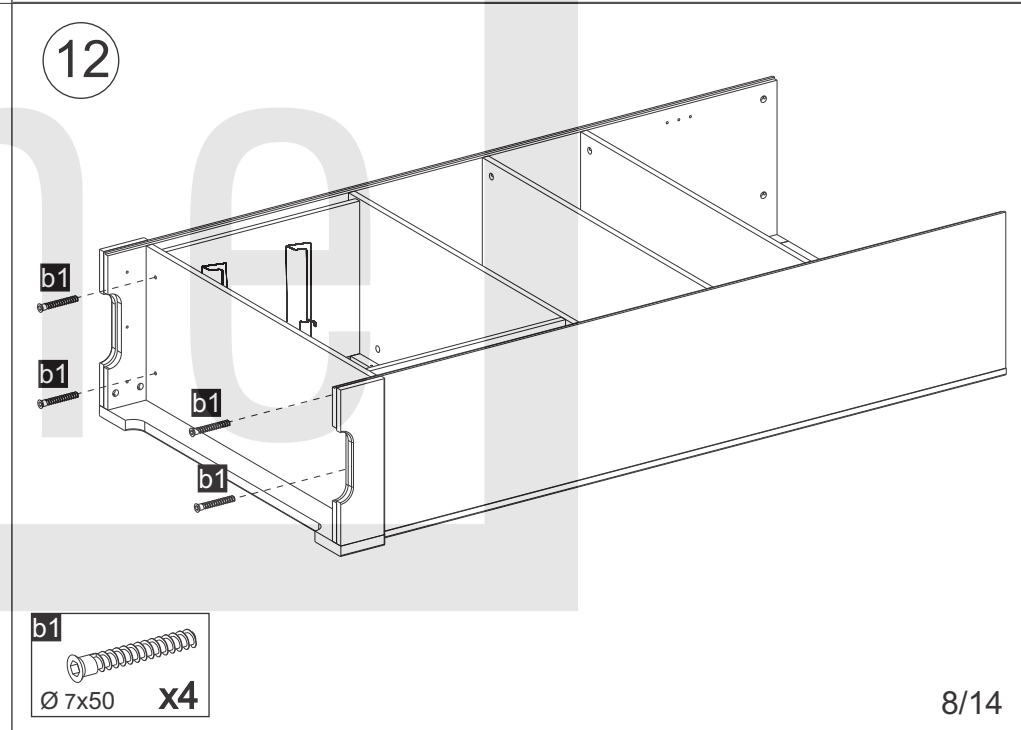
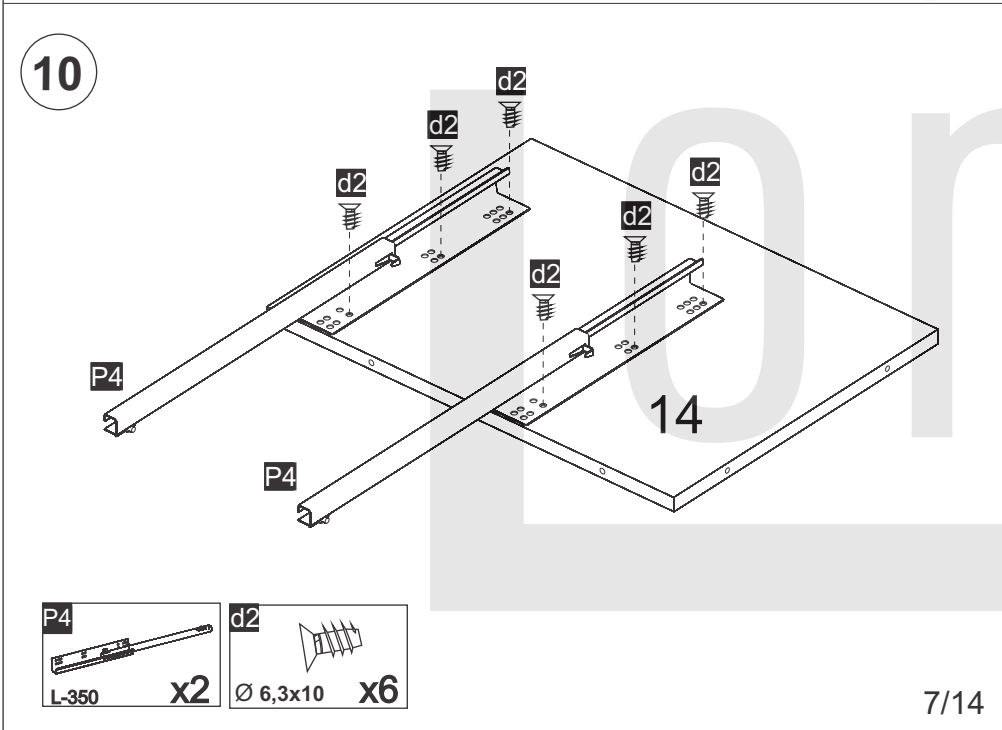
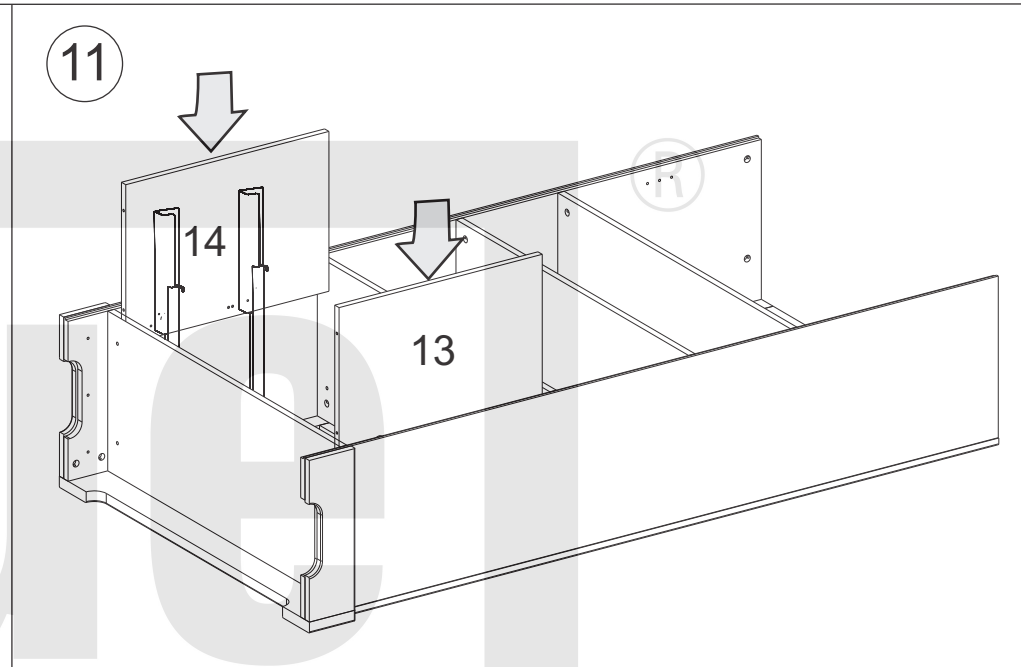
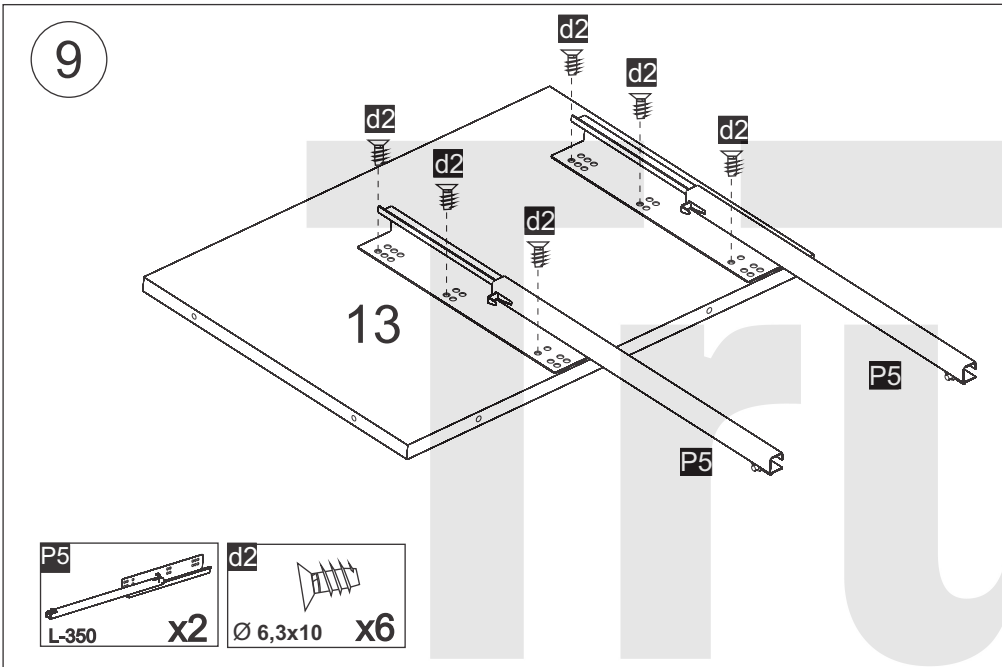
Bookcase



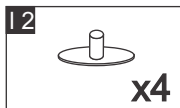
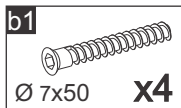
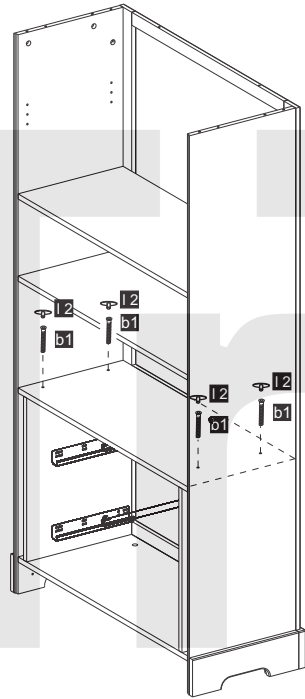
	x1	f2 $\varnothing 6 \times 32$ x48	a1 x44	a3 $\varnothing 15 \times 12$ x44
b1 $\varnothing 7 \times 50$ x16	c2 $\varnothing 3,5 \times 13$ x6	c3 $\varnothing 3 \times 20$ x61	c4 $\varnothing 3 \times 25$ x6	e1 M4x24 x4
s2 x2	$\varnothing 3 \times 15$ x1	l2 x4	l3 x18	k1 x15
d2 $\varnothing 6,3 \times 10$ x12	P4 L-350 x2	P5 L-350 x2	n1 x25	P1 x4
x1	i2 x4	podkładka metalowa x2	$\varnothing 5 \times 40$ x1	x1



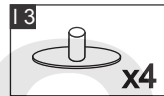
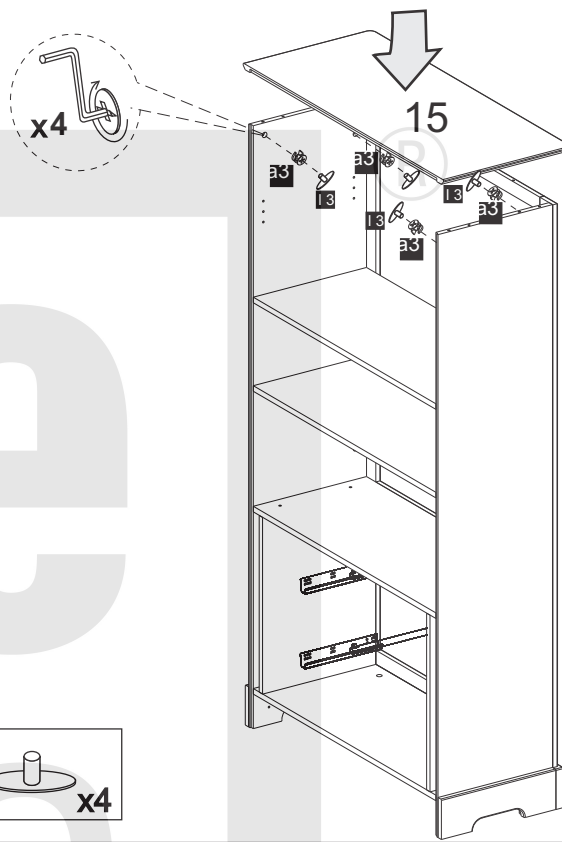




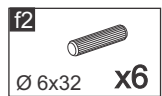
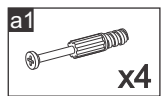
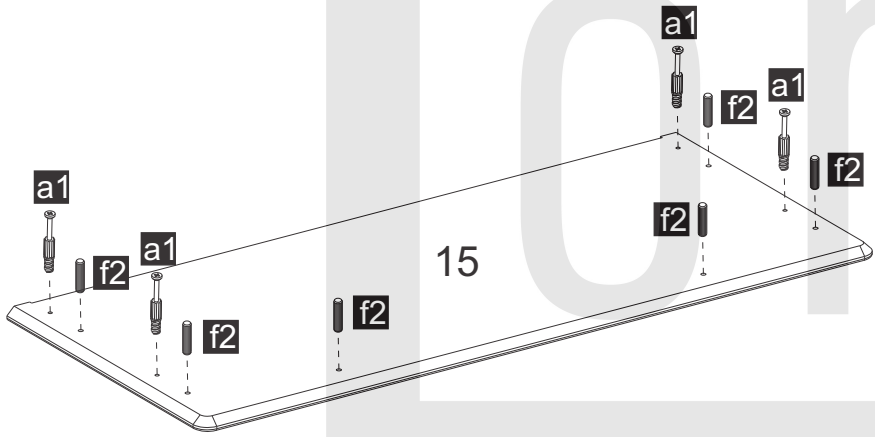
13



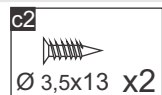
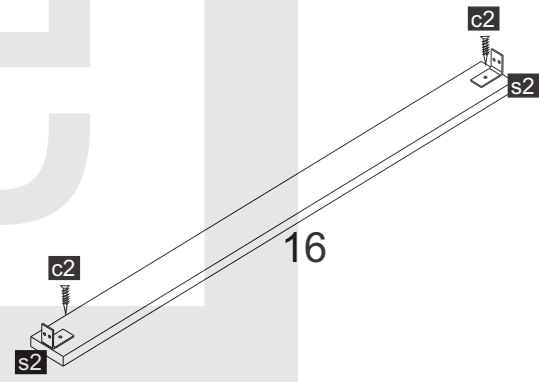
15



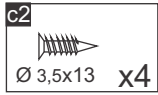
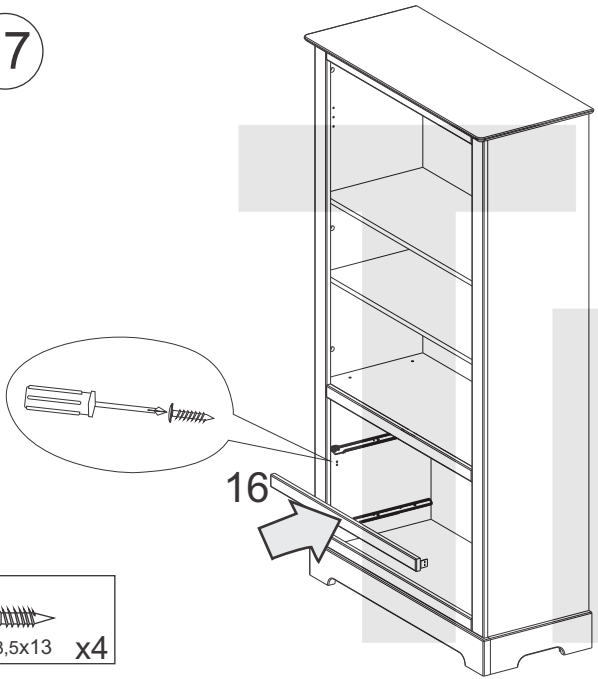
14



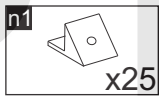
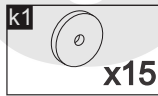
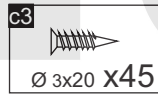
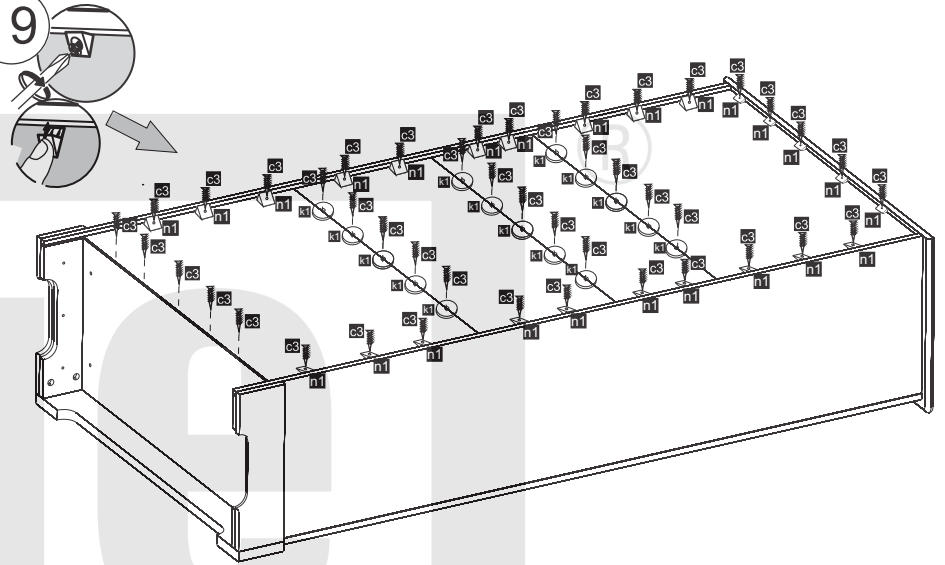
16



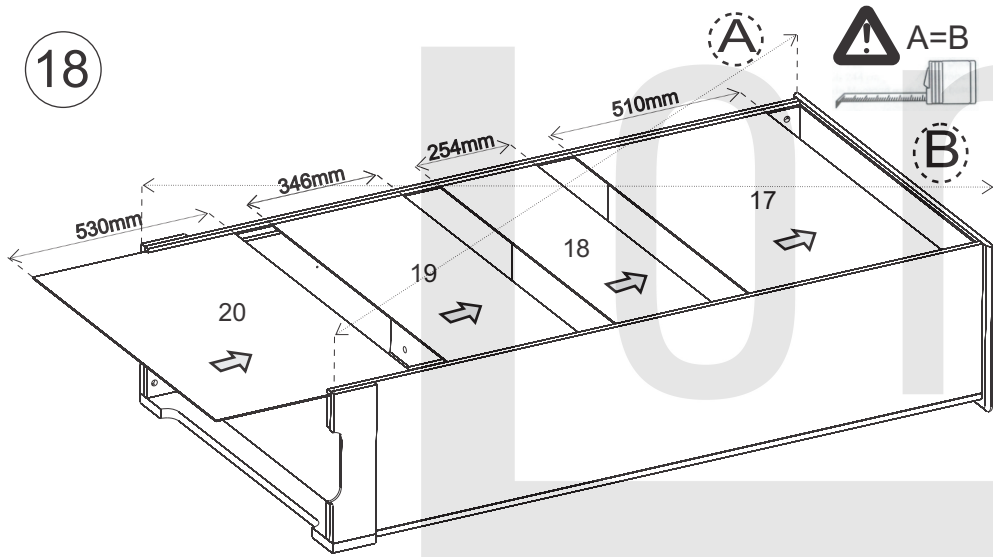
17



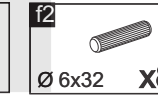
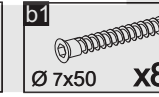
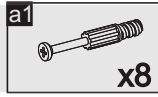
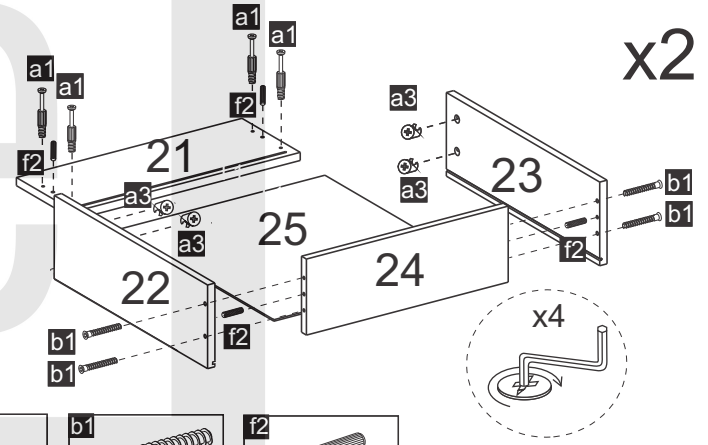
19



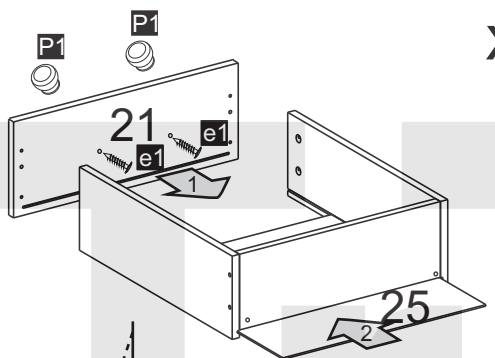
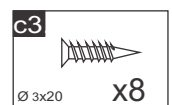
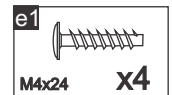
18



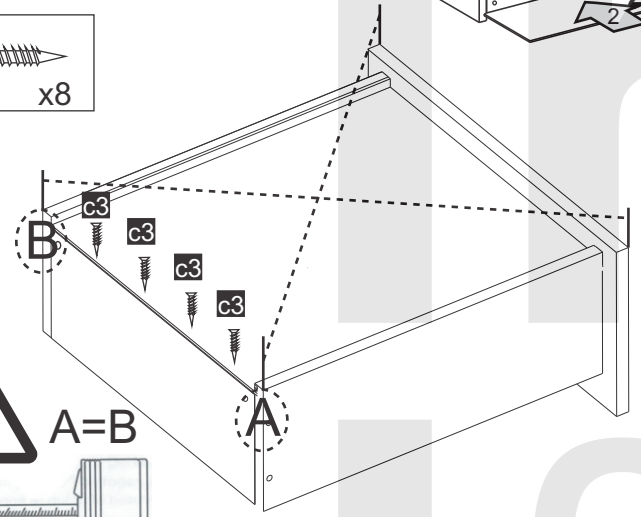
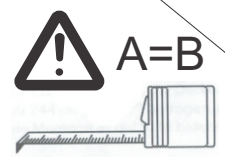
20



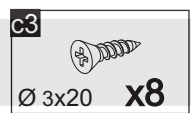
21



x2

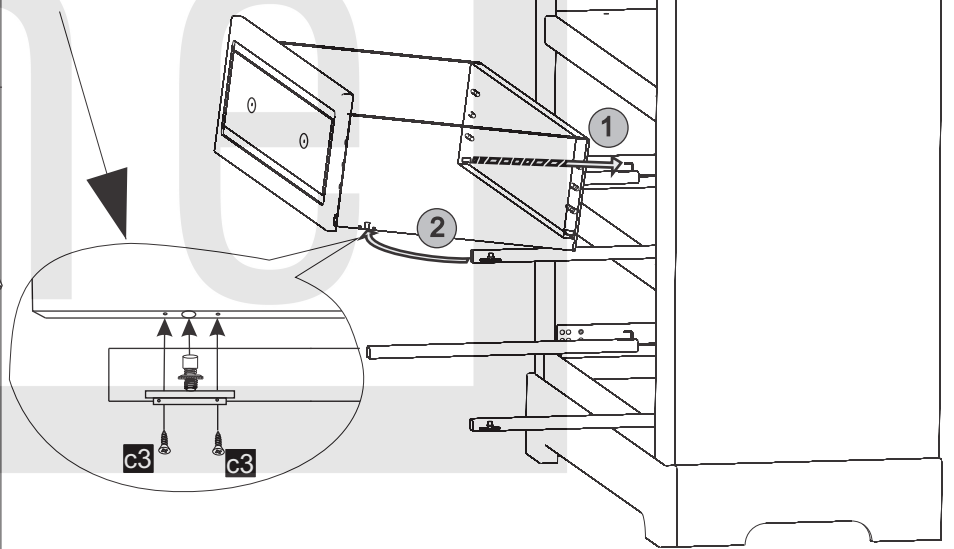


23



x2

pre-tighten the screw adjusting to the end (lowest position), then after installation adjust the drawer secure it with screws „c3”.



22

- x1
- x1
- Ø 5x40
- x1
- Ø 3x15
- x2

