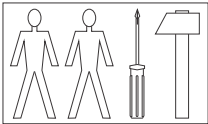
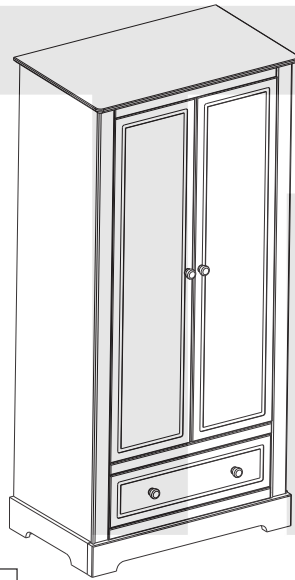


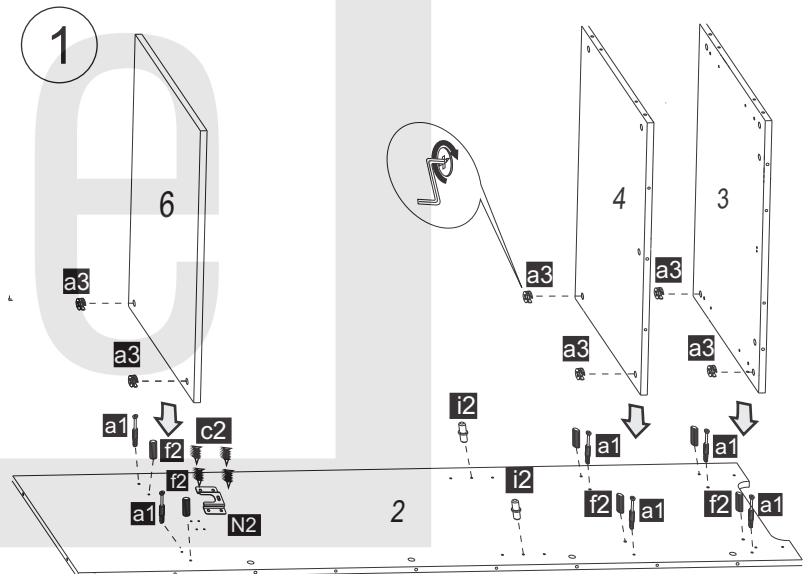
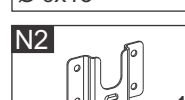
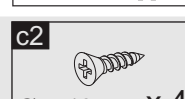
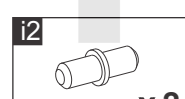
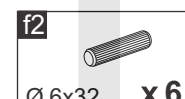
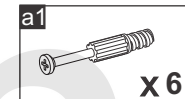
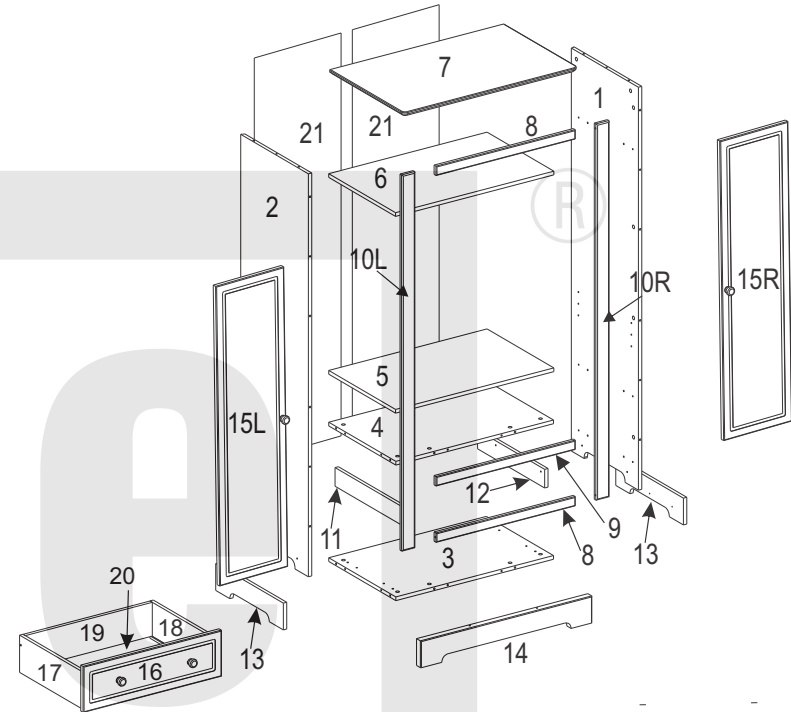
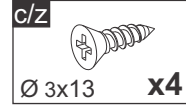
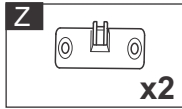
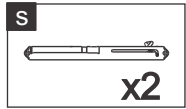
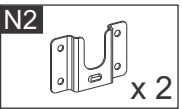
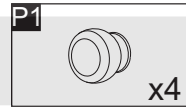
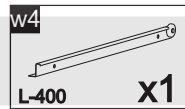
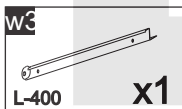
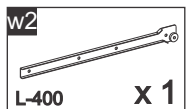
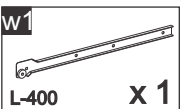
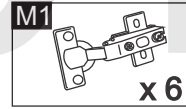
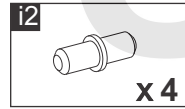
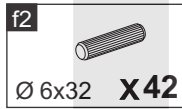
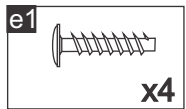
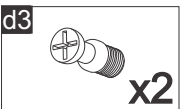
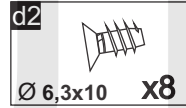
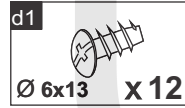
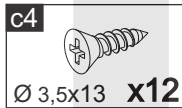
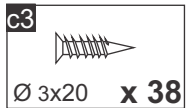
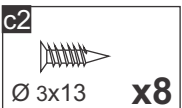
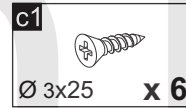
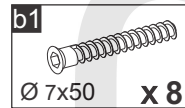
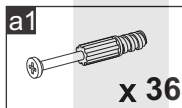
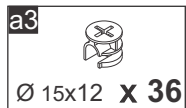
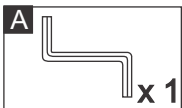
Instruction manual

MARYLOU

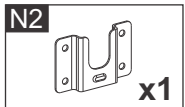
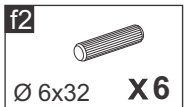
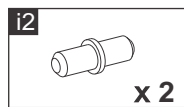
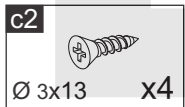
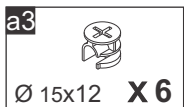
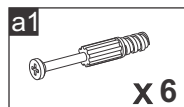
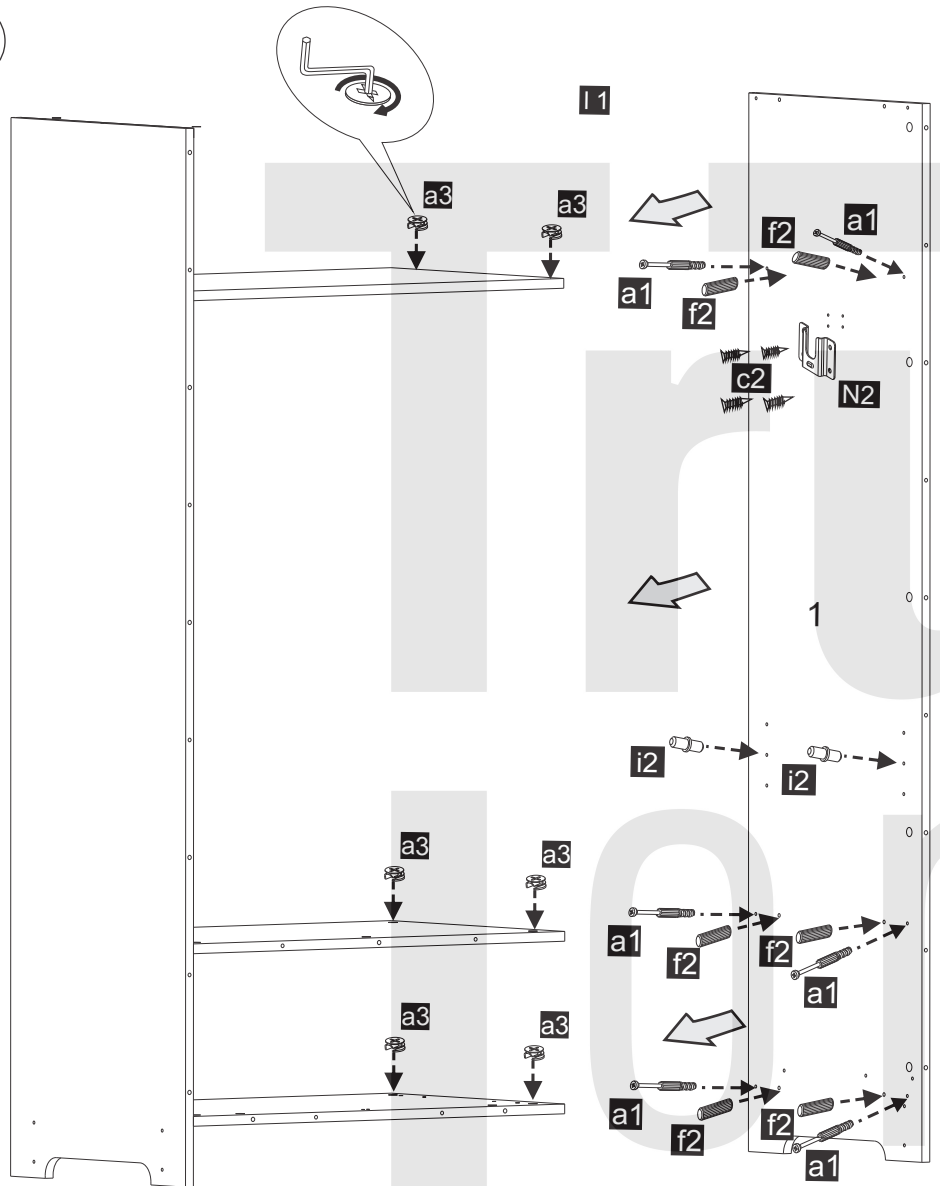
Wardrobe



symbol
B
Ø 6x60 x8
wymiały ilość akcesoriów

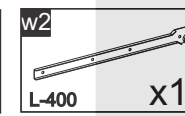
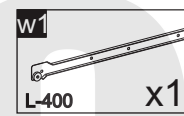
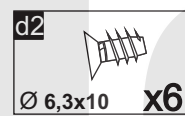
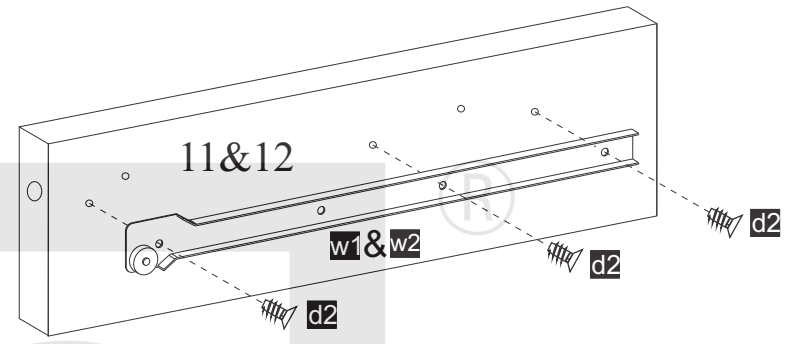


2

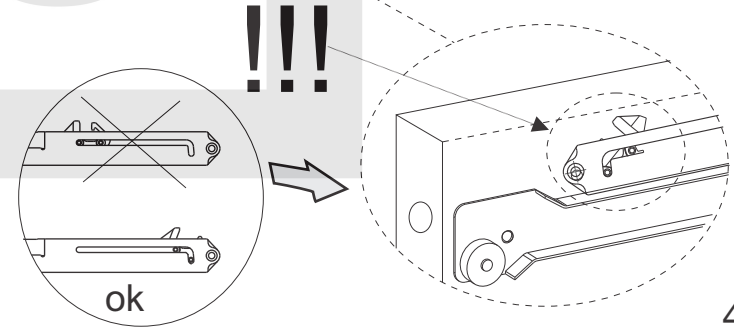
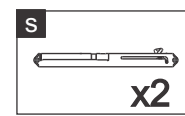
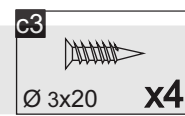
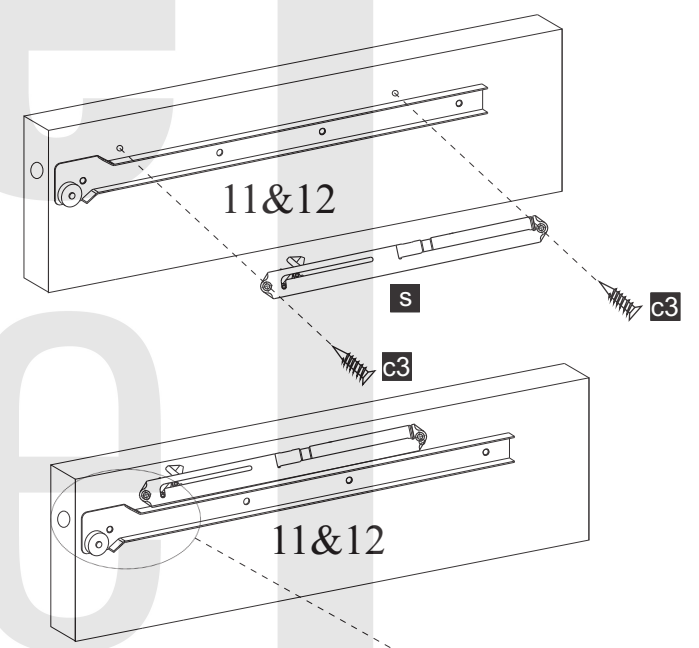


3/13

3

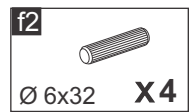
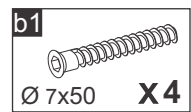
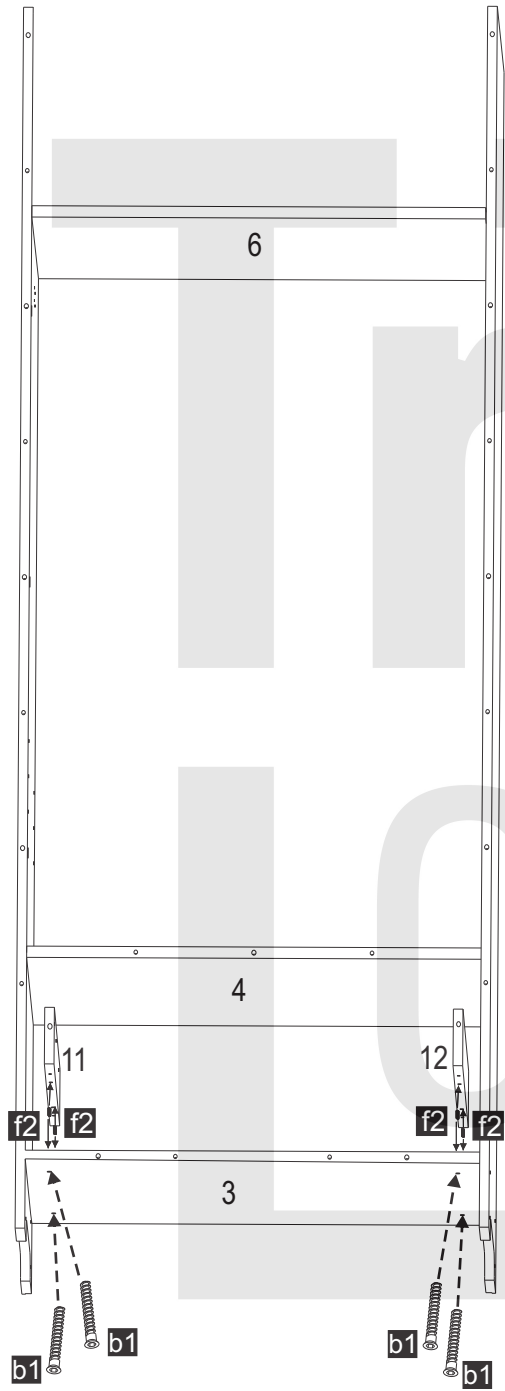


4

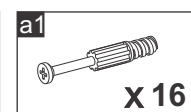
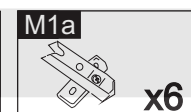
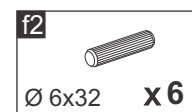
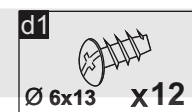
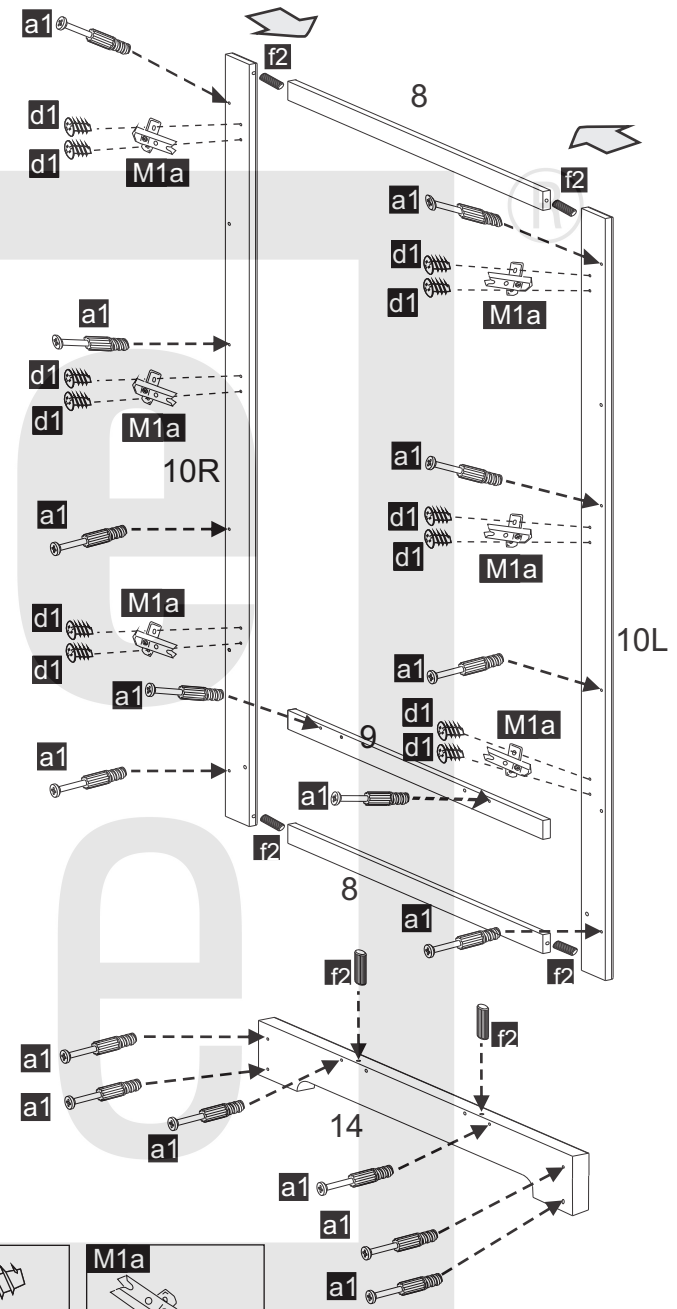


4/13

5

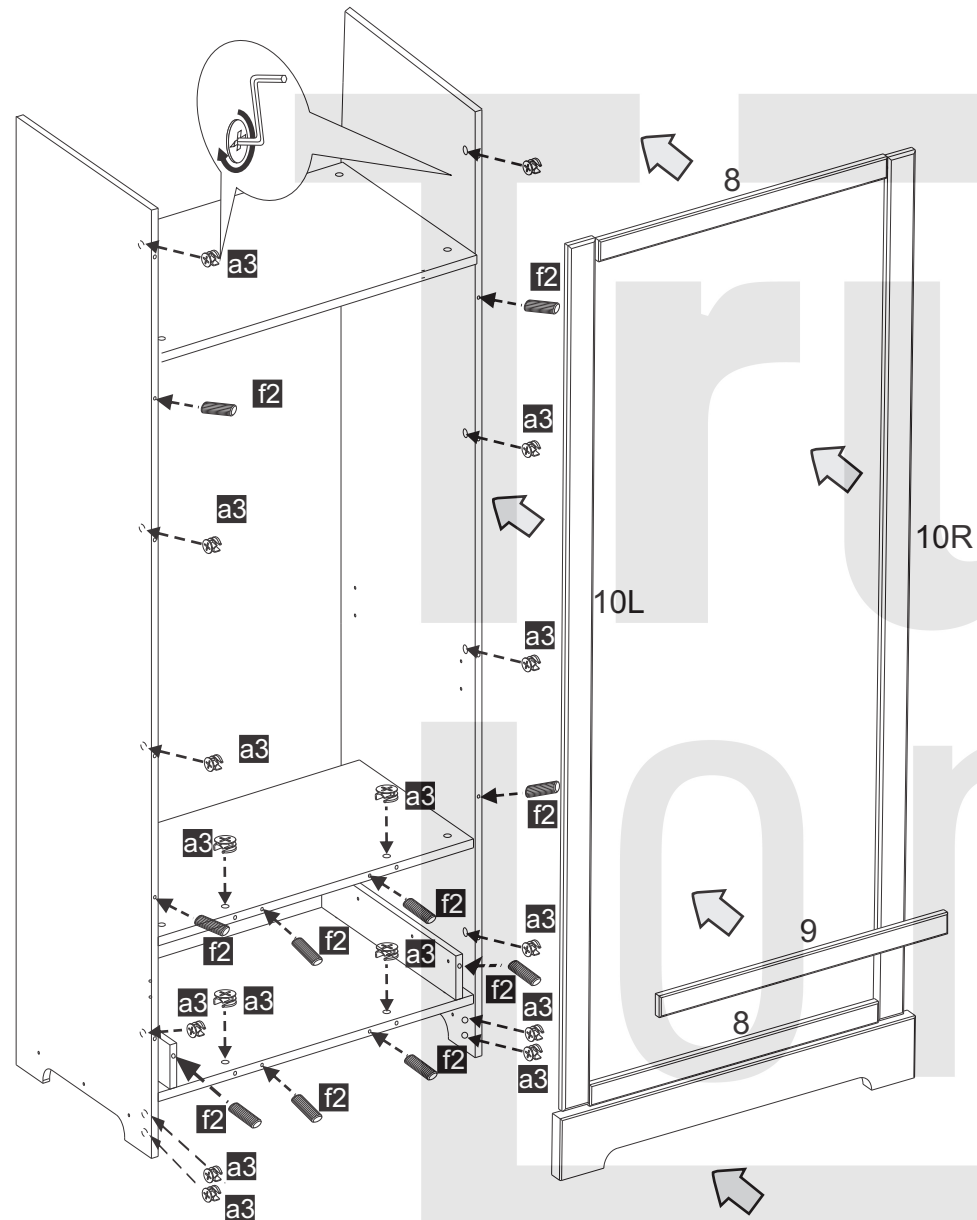


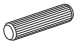

6



Attention: during installation of front side rails please notice occurrence of right and left rail according to picture above

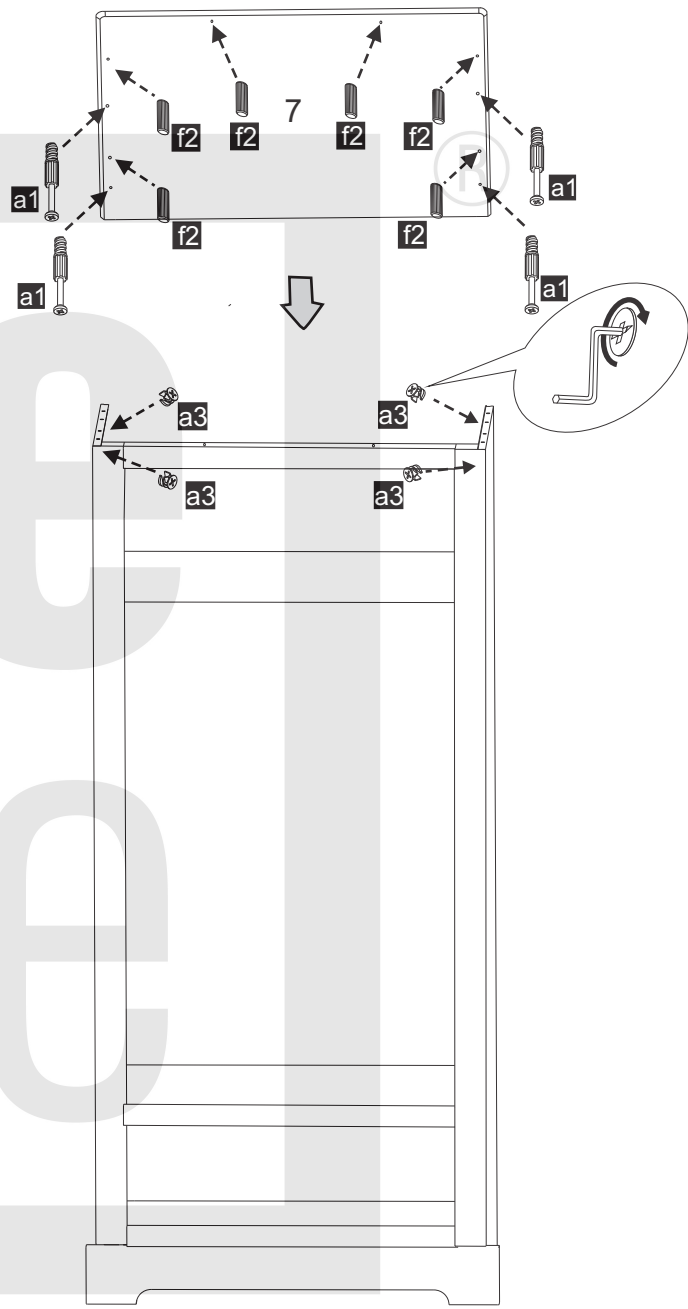
7

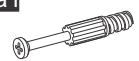

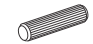


- f2**  $\varnothing 6 \times 32$ **X10**
- a3**  $\varnothing 15 \times 12$ **X16**

7/13

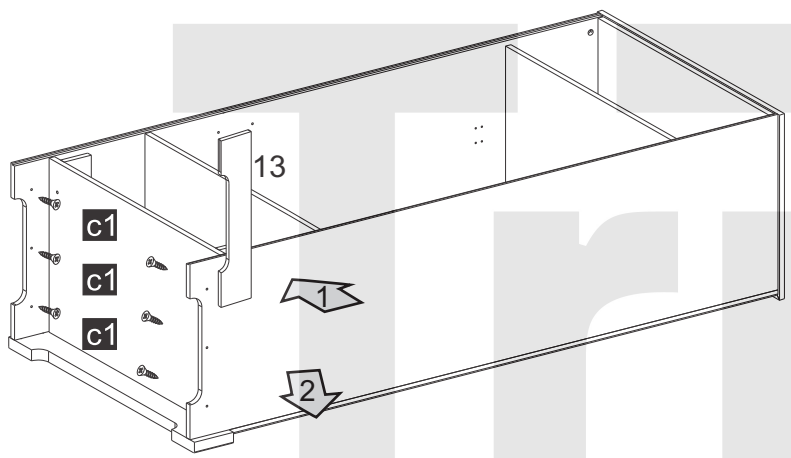
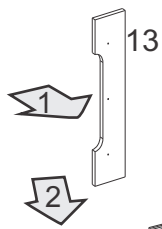
8



- a1**  **X4**
- a3**  $\varnothing 15 \times 12$ **X4**
- f2**  $\varnothing 6 \times 32$ **X6**

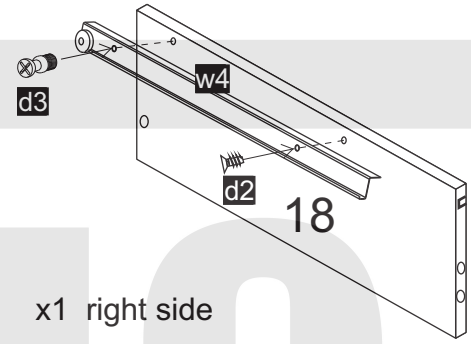
8/13

9

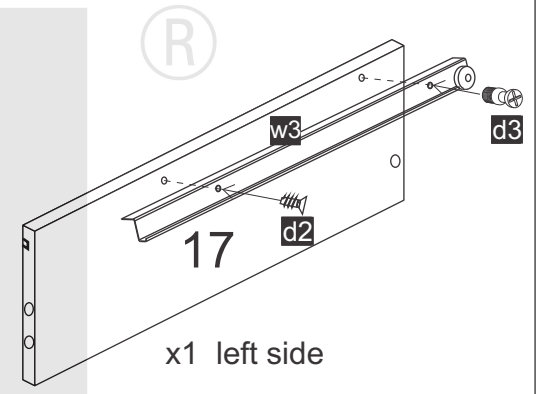


c1
Ø 3x25 x6

11



x1 right side



x1 left side

d2
Ø 6,3x10 x2

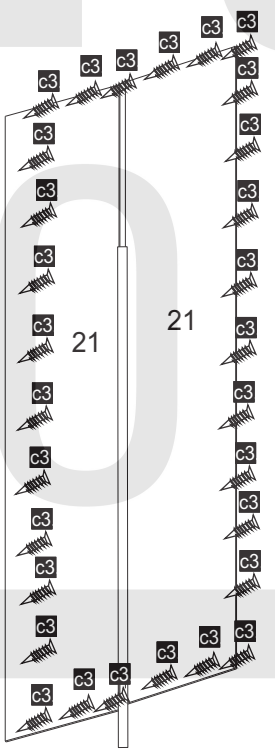
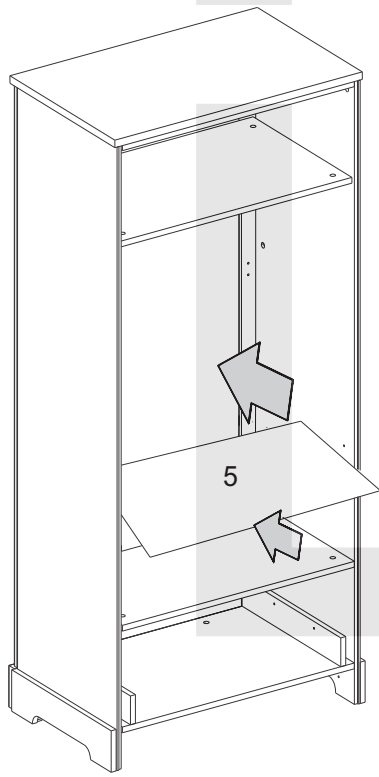
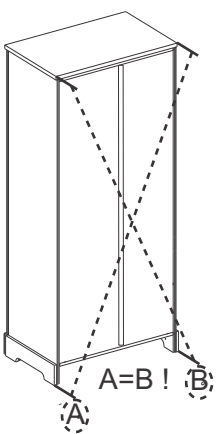
d3 x2

w3
L-400 x1

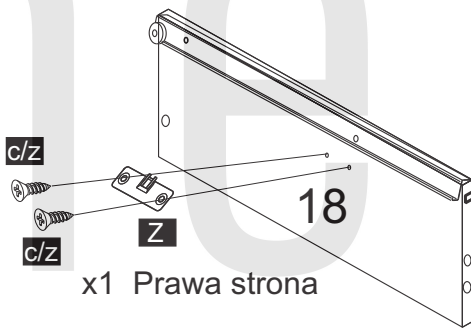
w4
L-400 x1

10

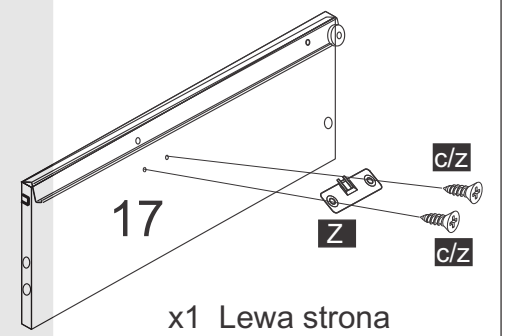
c3
Ø 3x20 x 30



12



x1 Prawa strona

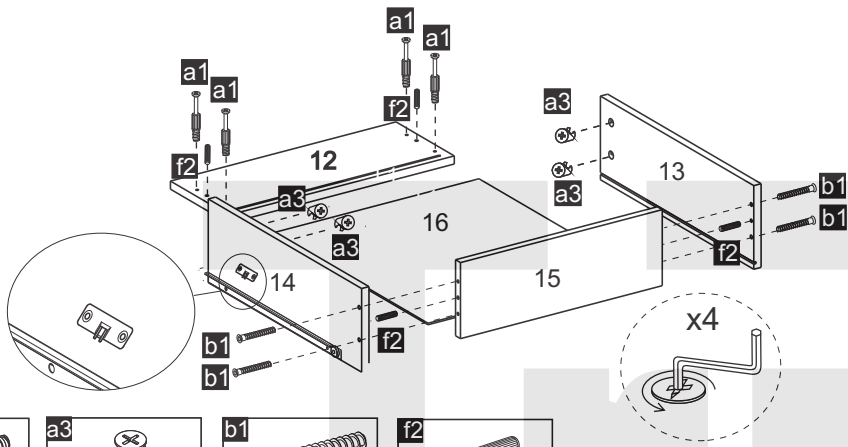



x1 Lewa strona

c/z
Ø 3x13 x4

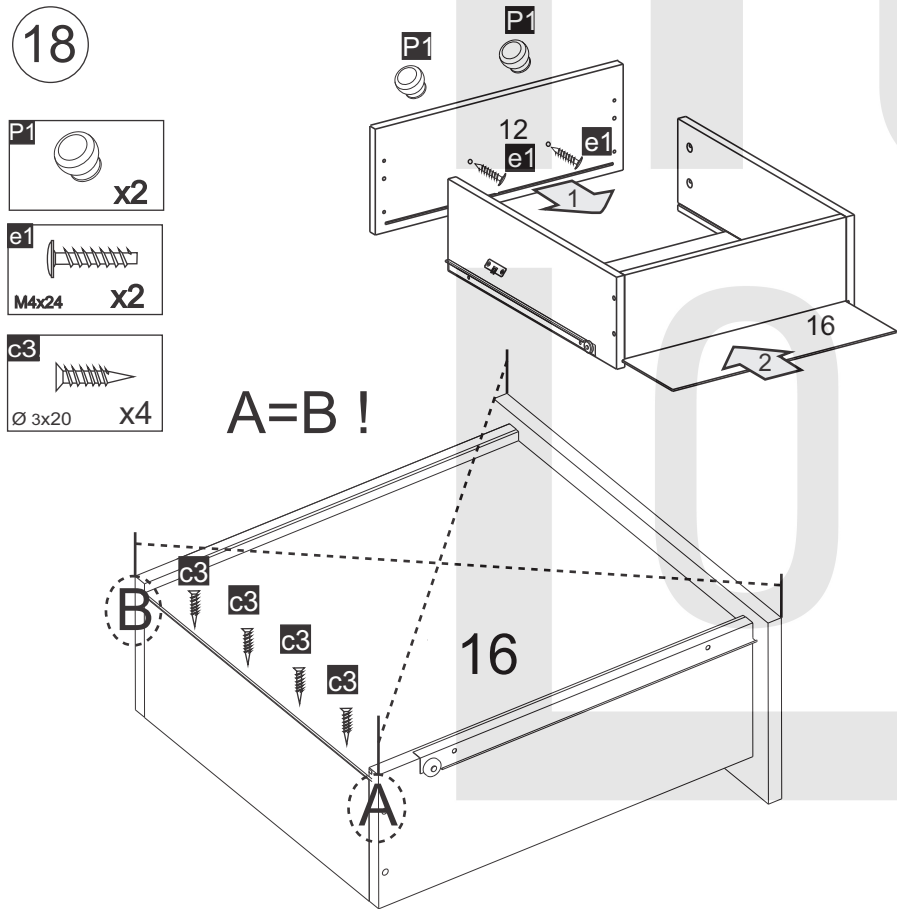
Z x2


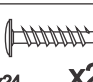
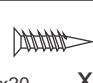
17



- a1**  **x4**
- a3**  **Ø 15x12** **x4**
- b1**  **Ø 7x50** **x4**
- f2**  **Ø 6x32** **x4**

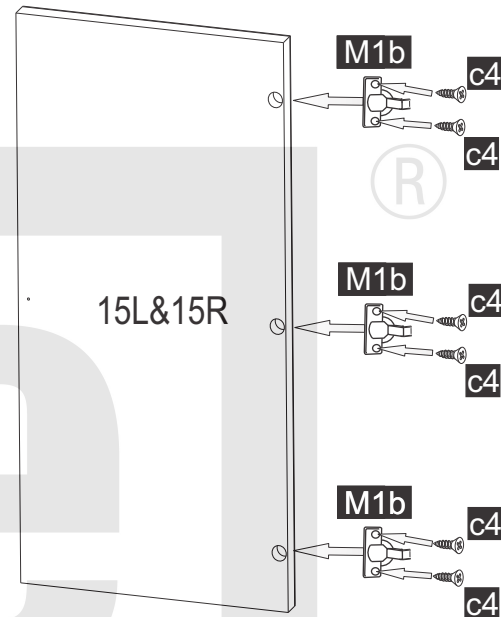
18

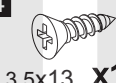
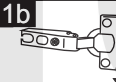


- P1**  **x2**
- e1**  **M4x24** **x2**
- c3**  **Ø 3x20** **x4**

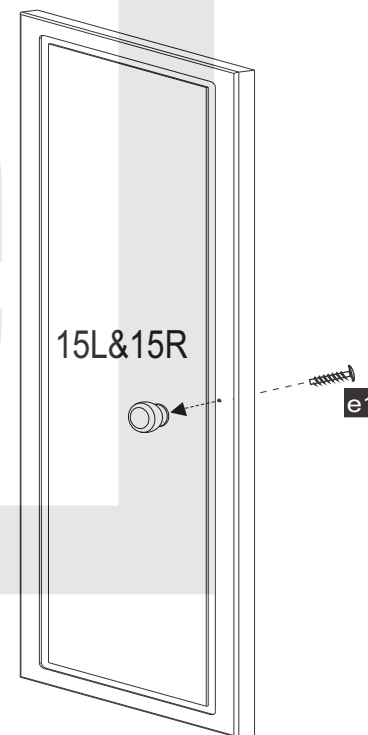
A=B!



15



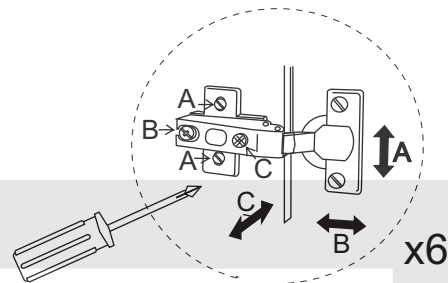
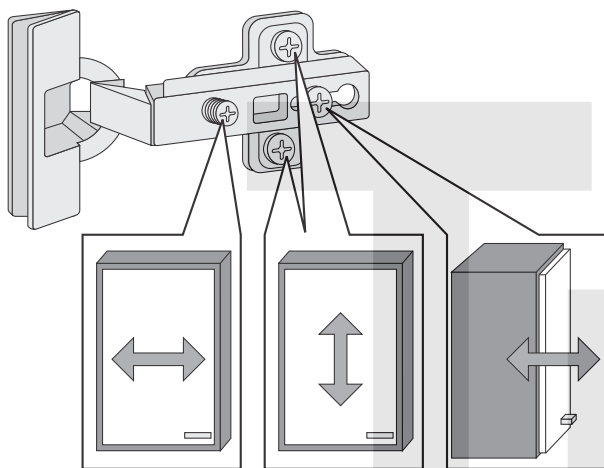
- c4**  **Ø 3,5x13** **x12**
- M1b**  **x6**

16

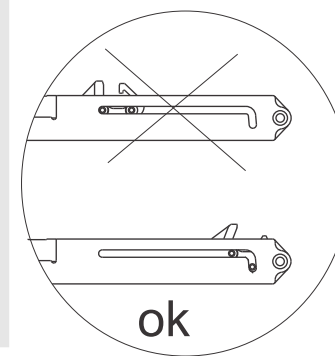
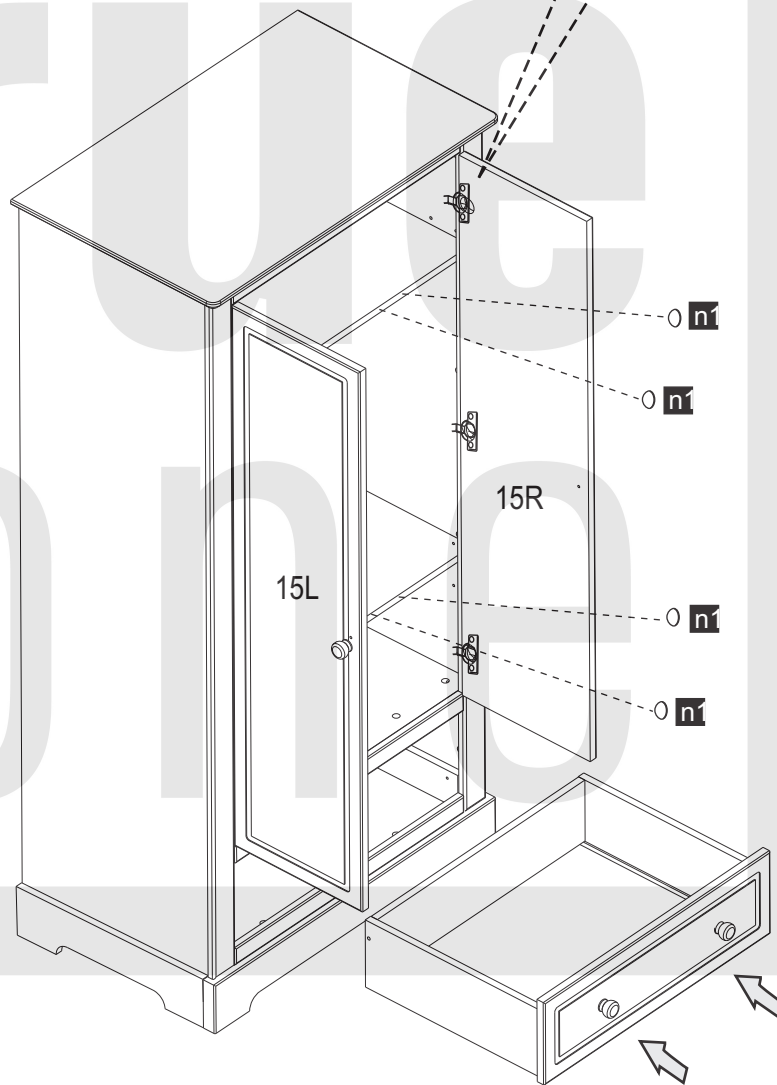


- P1**  **x2**
- e1**  **x2**

17



®



n ○ x4