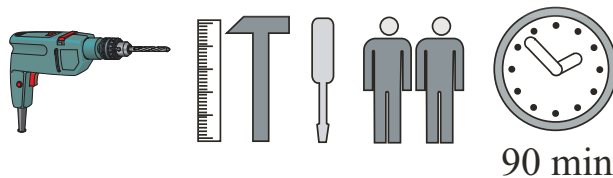
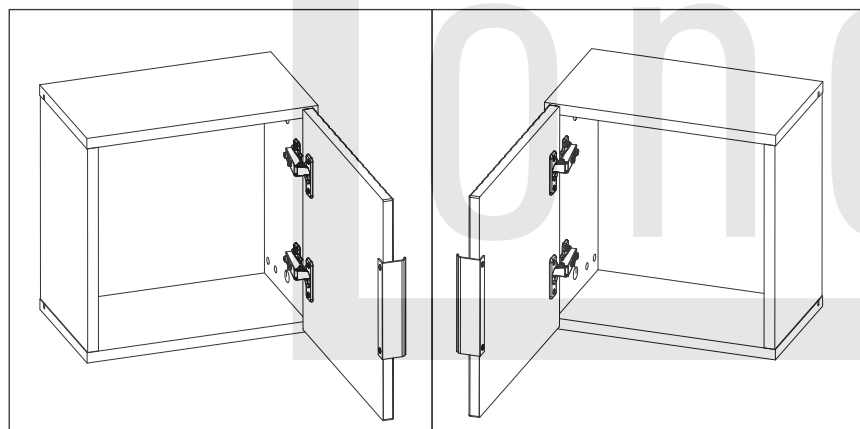
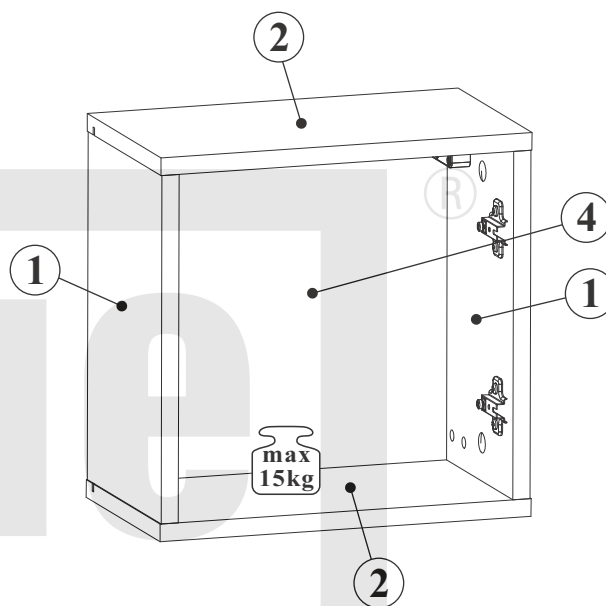
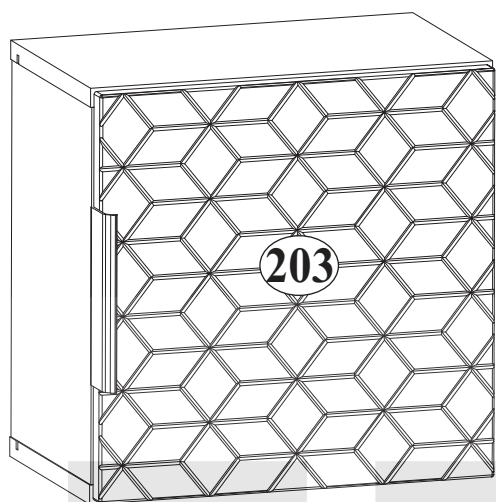
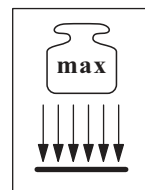
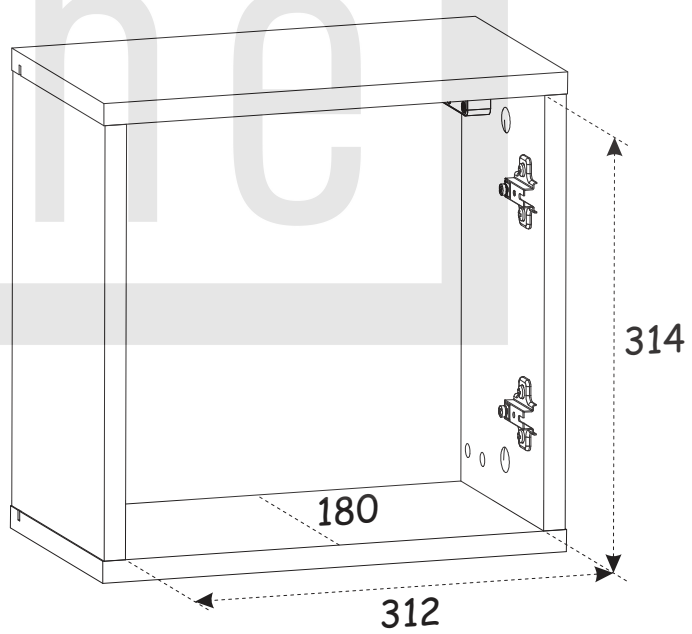
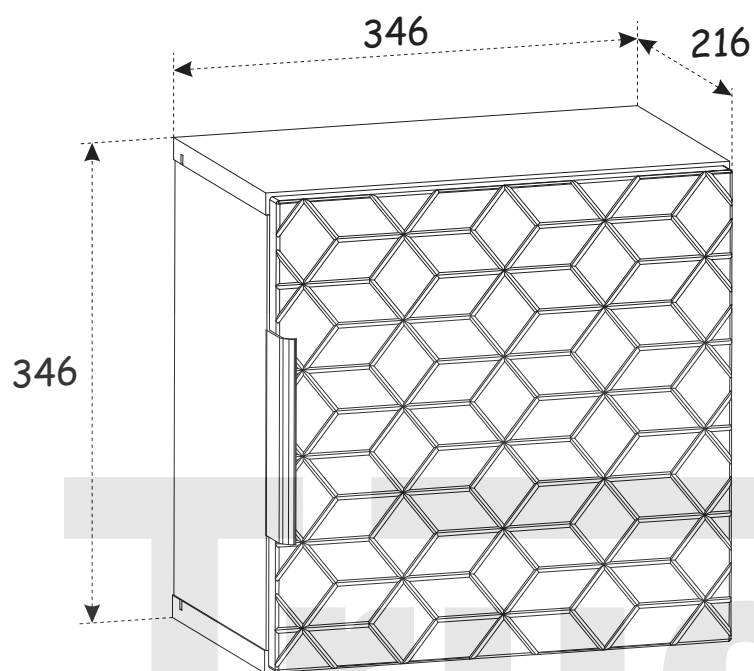


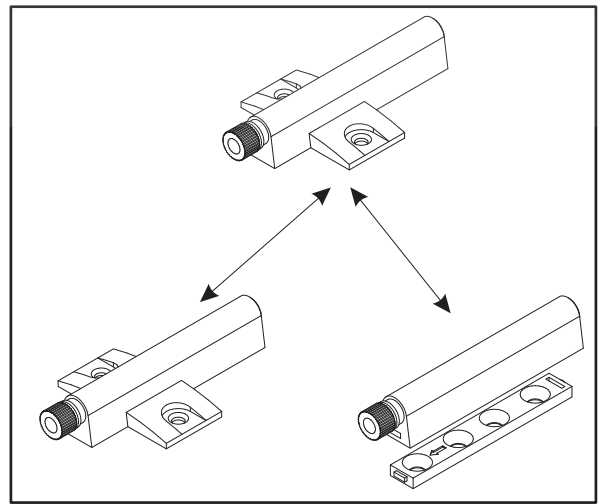
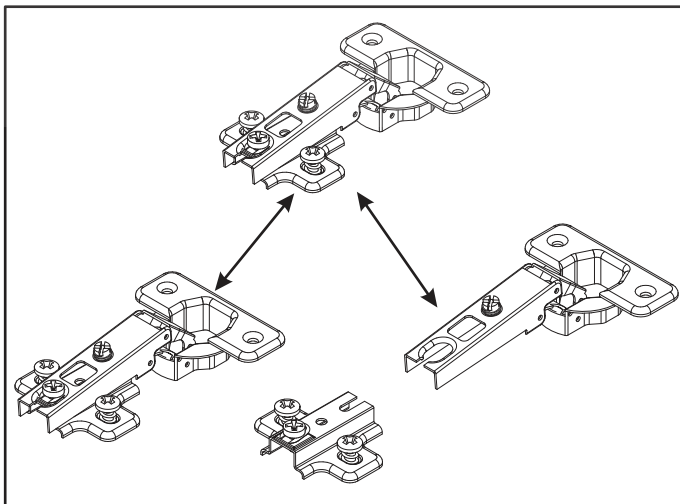
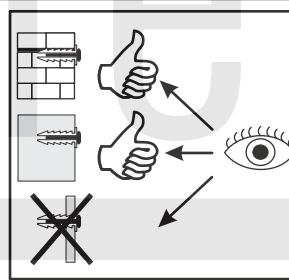
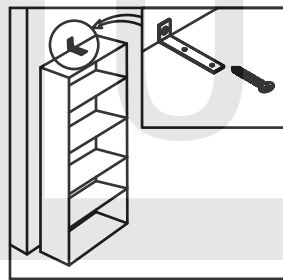
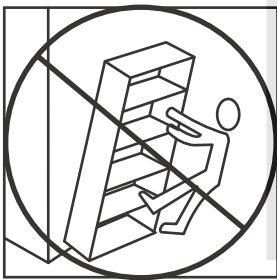
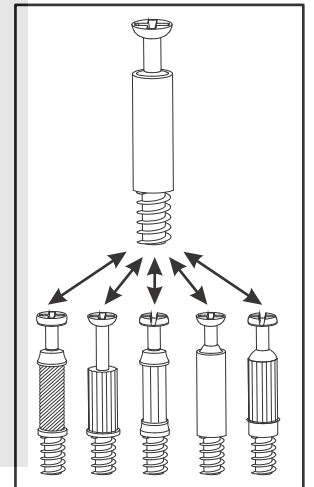
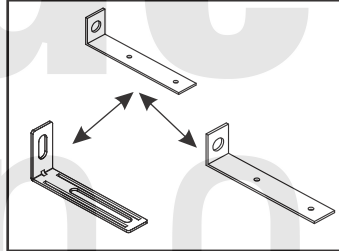
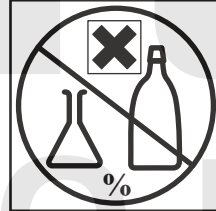
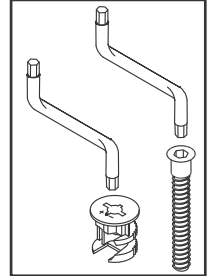
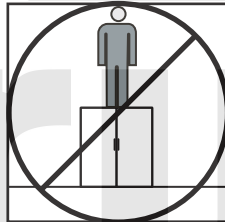
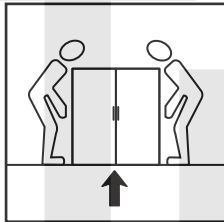
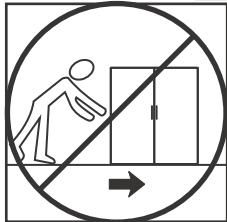
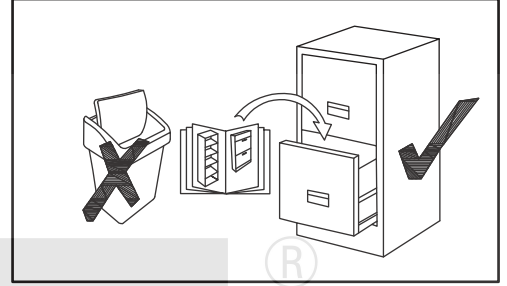
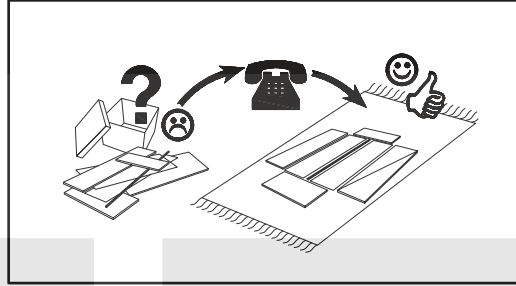
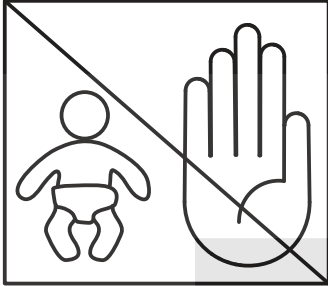
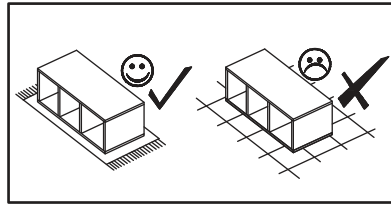
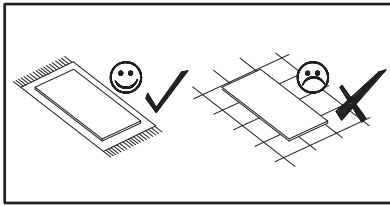
# SZAFKA 1D 83-01-D-1D



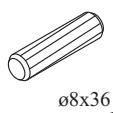
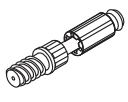


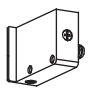

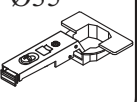





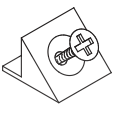
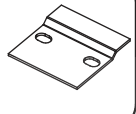
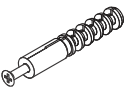



NO	Dim. [mm]			Col.-No	Qty
1	314	200	16	1	2
2	346	200	16	1	2
203	340	340	16	1	1
4	326	324	3	1	1

# SZAFKA 1D 83-01-D-1D

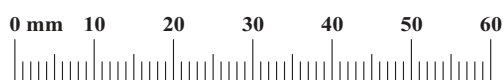
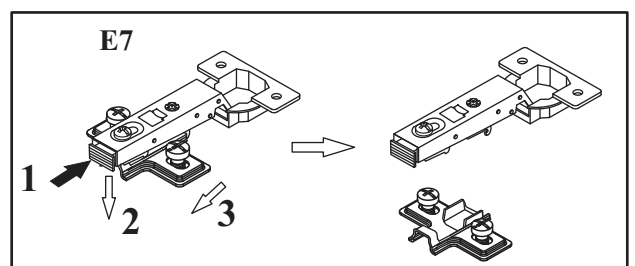
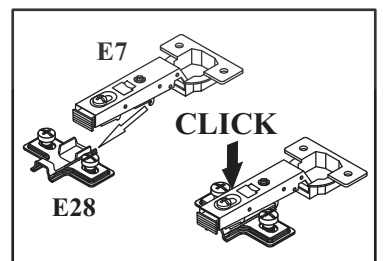




SZAFKA 1D 83-01-D-1D

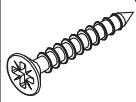
A1 x8  ø8x36	B4 x4 	B5 x4  ø15x12	G5 x4 	ZXP x1 	ZXL x1 
E7 x2  Ø35	E28 x2  H=0	D10 x4  USØ3,5x13	G04 x1  L-148mm.	Z2 x4  Ø5	Z5 x4  Ø10
S1 x4 	SZ7 x2 	KR1 x4 	D7 x2  USØ3x16	D6 x4  USØ3,5x30	G2 x1 


True one<sup>®</sup>

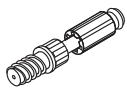



SZAFKA 1D 83-01-D-1D


1

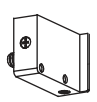
D6	
x4	USØ3,5x30

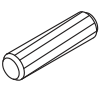
Z5	
x4	Ø10

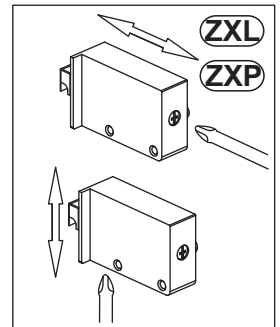
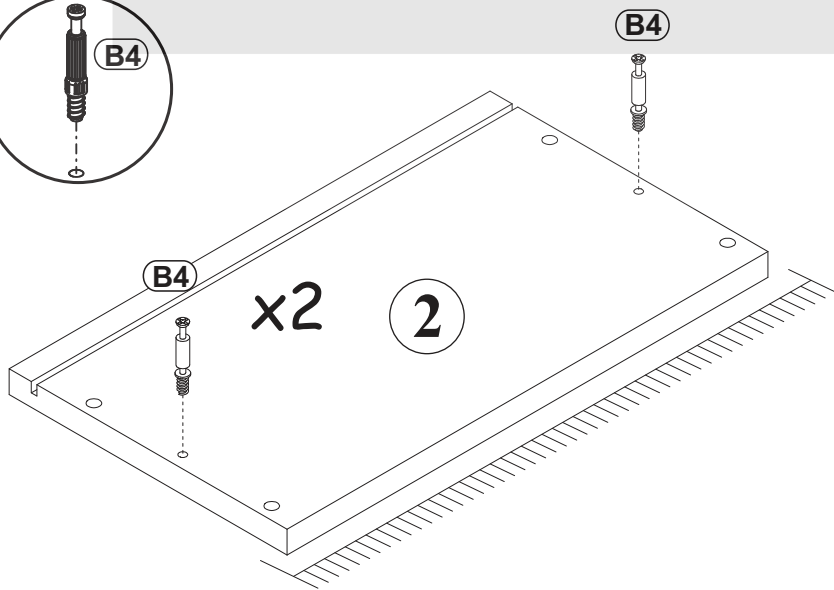
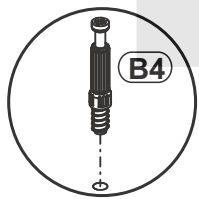
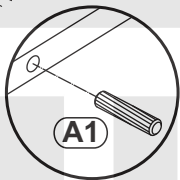
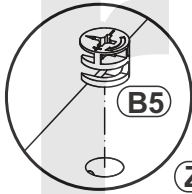
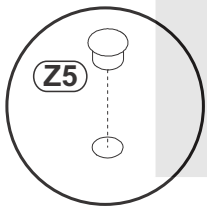
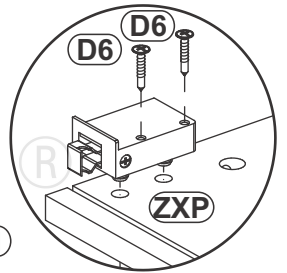
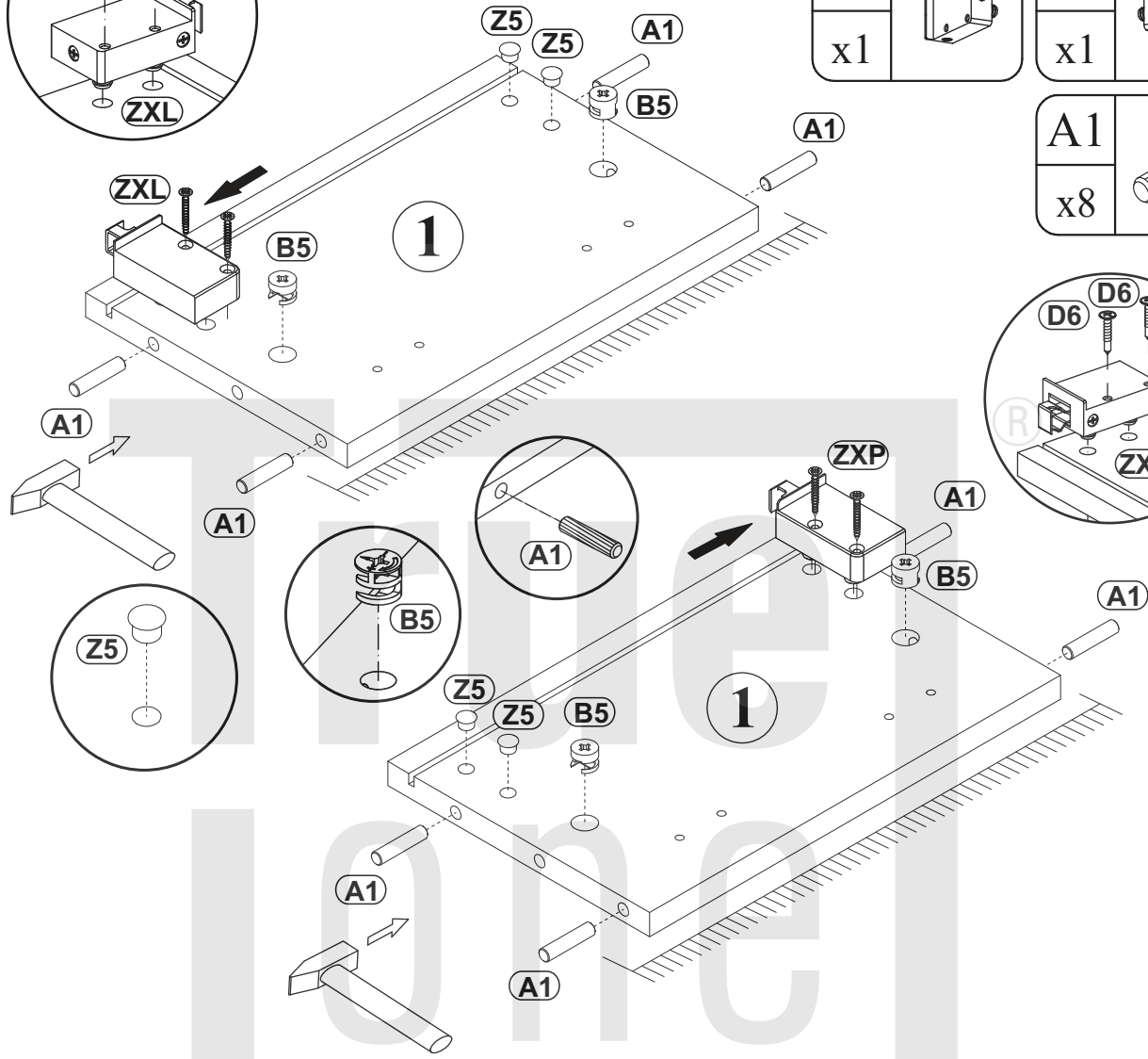
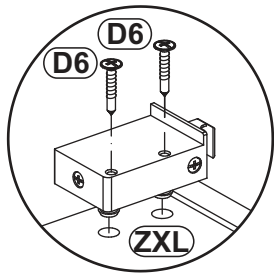
B4	
x4	

B5	
x4	Ø15x12


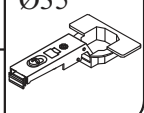
ZXP	
x1	

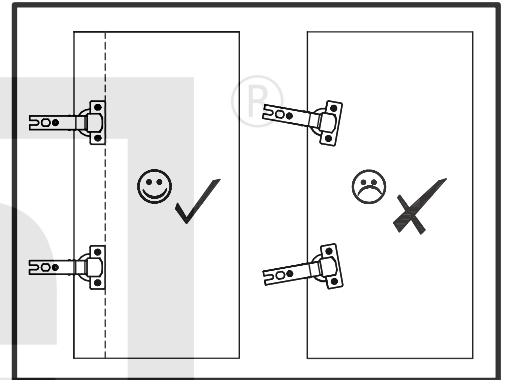
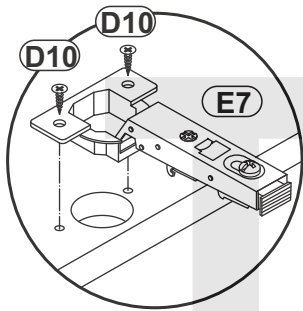
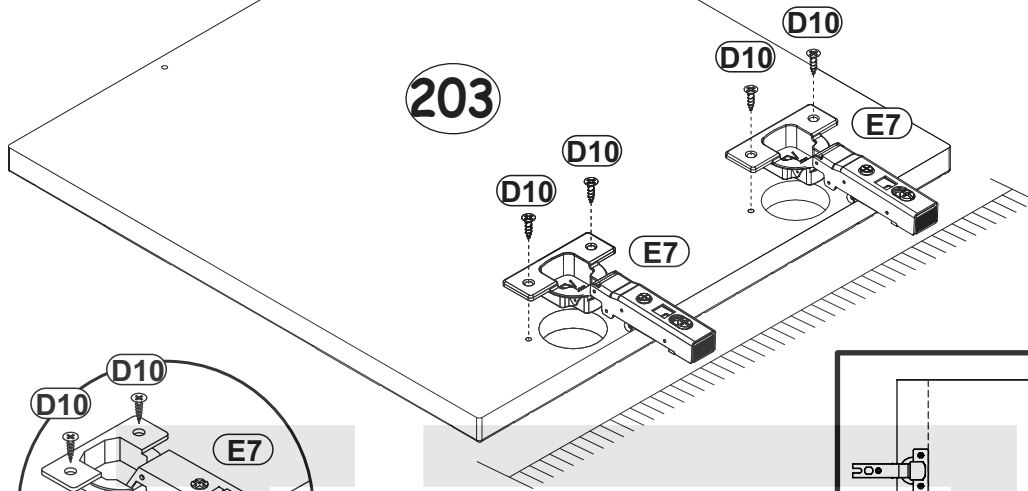
ZXL	
x1	

A1	
x8	Ø8x36




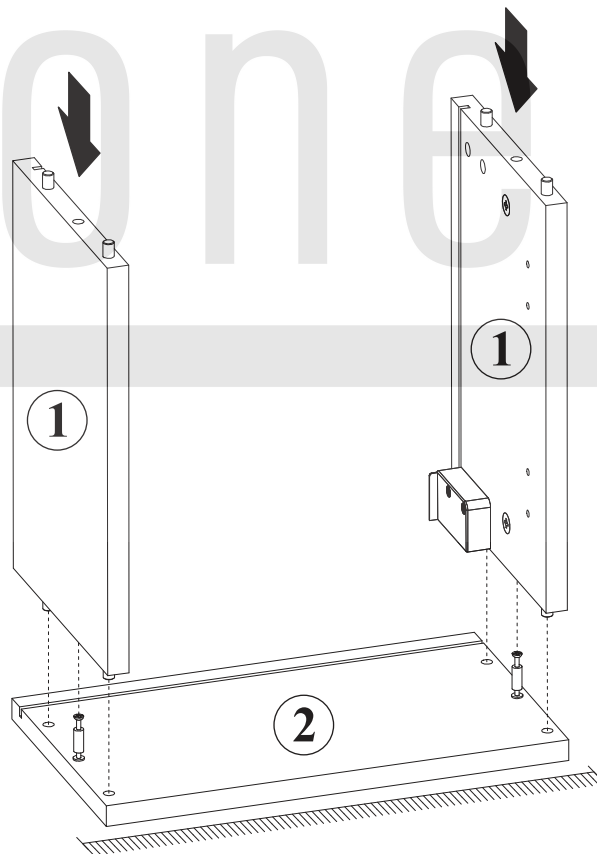
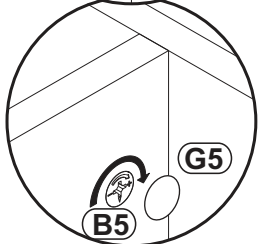
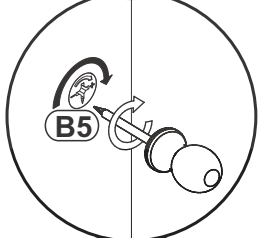
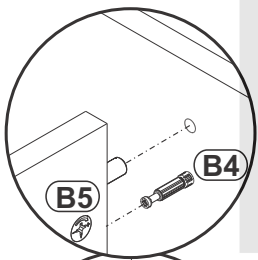
2

D10		E7	
x4		USØ3,5x13	

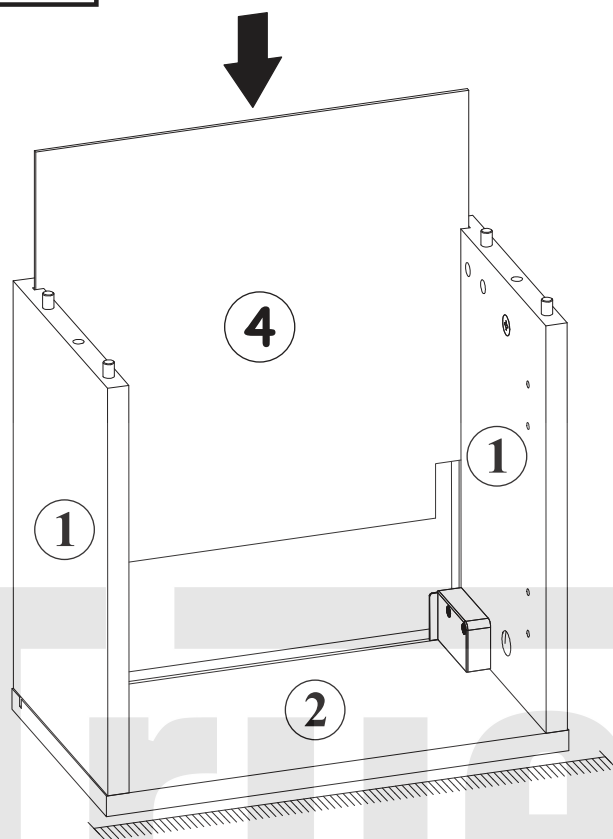


3

G5	
x2	

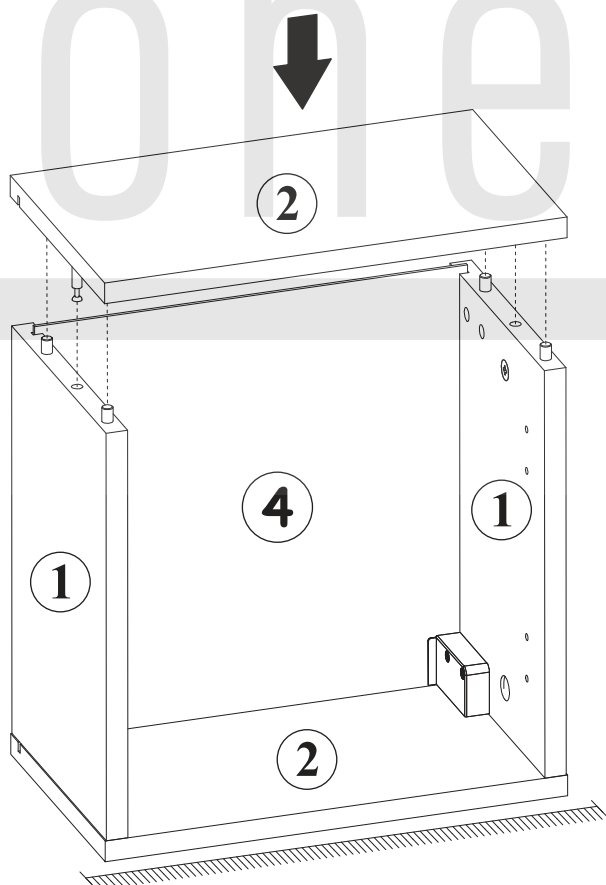
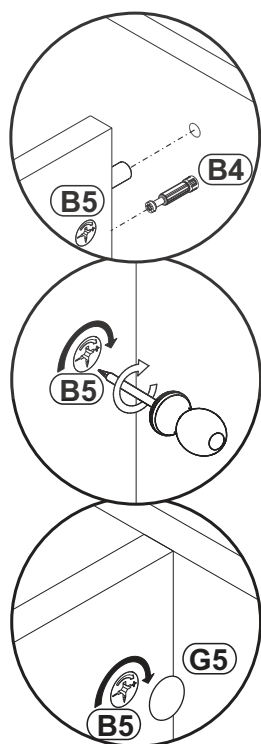


4



®

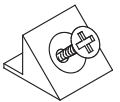
5

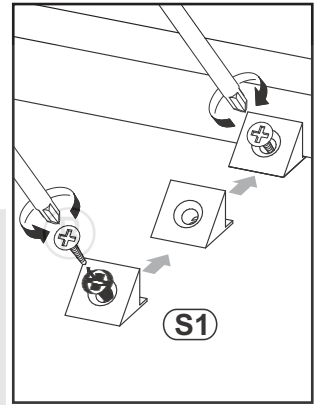
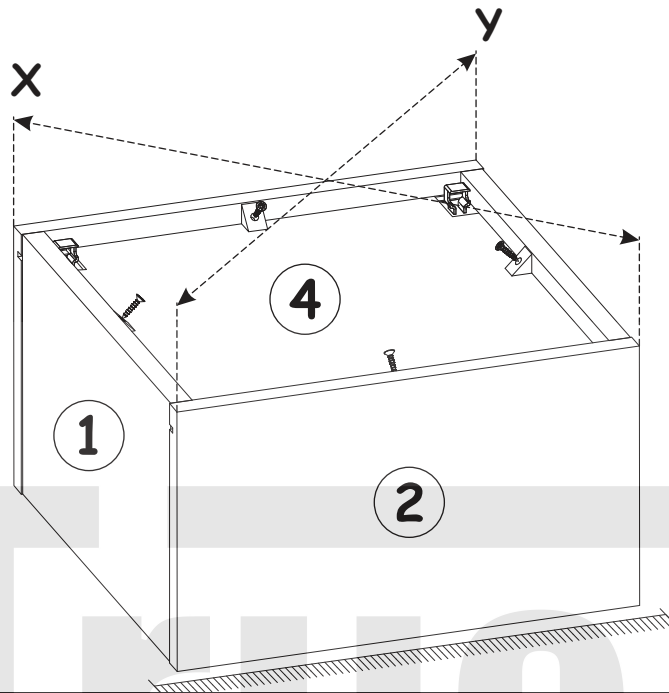
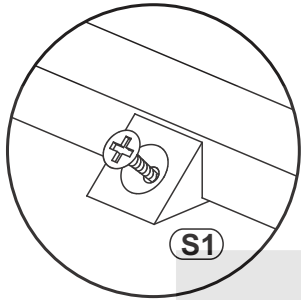


G5	
x2	

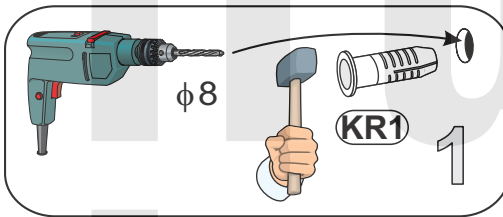
6

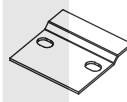
  $X=Y$   $90^\circ$

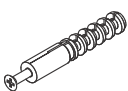
S1	
x4	

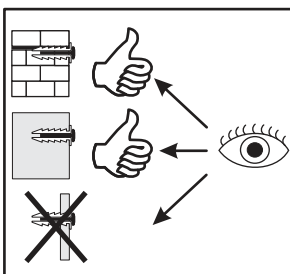
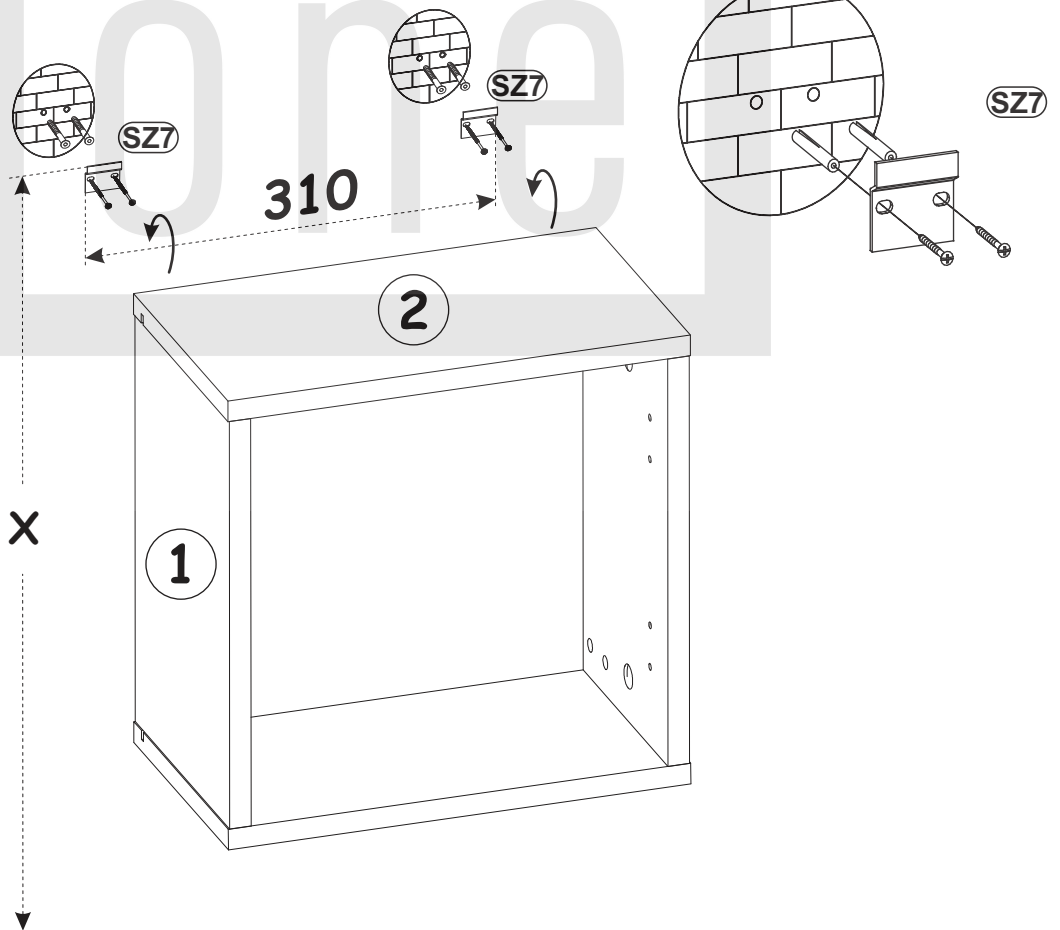


7

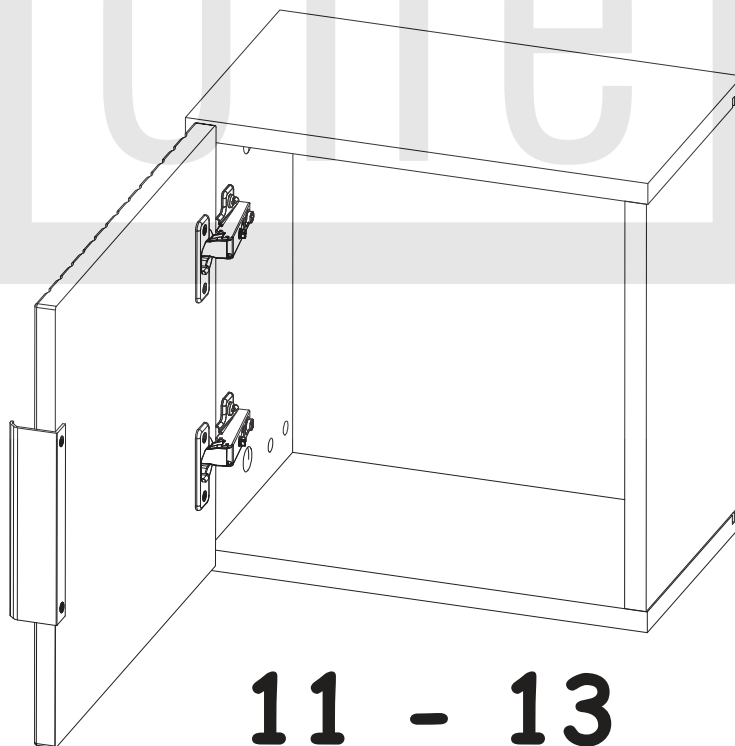
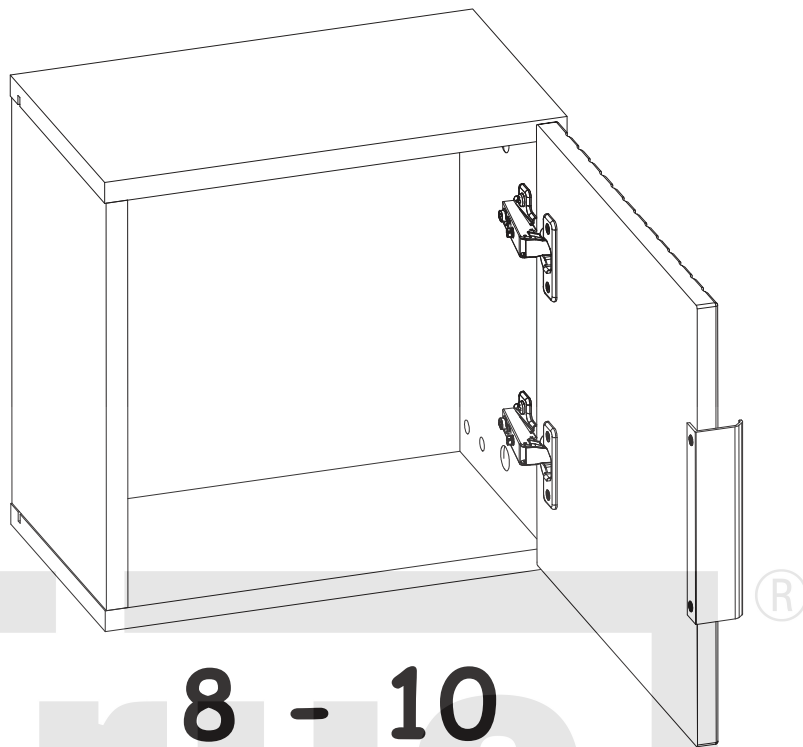



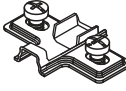
SZ7	
x2	

KR1	
x4	

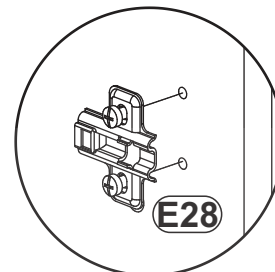
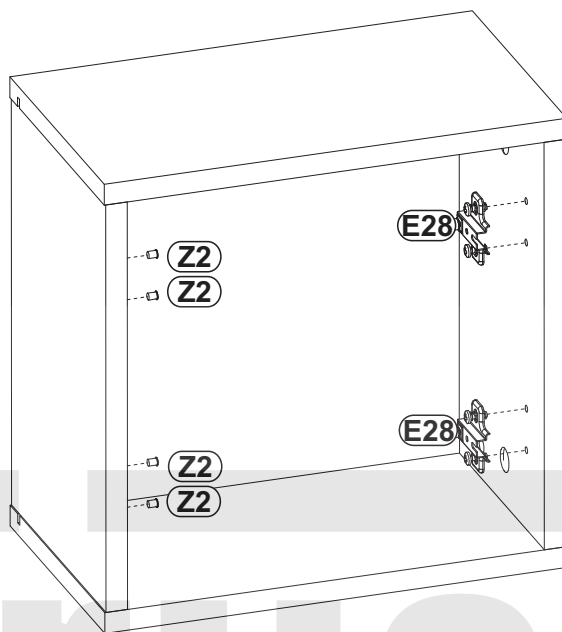
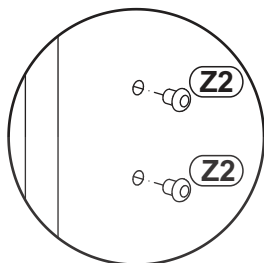
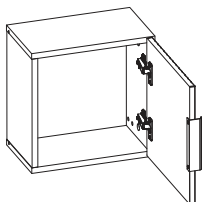






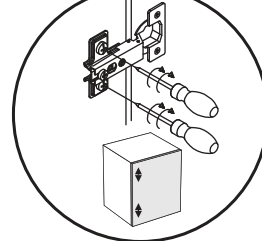
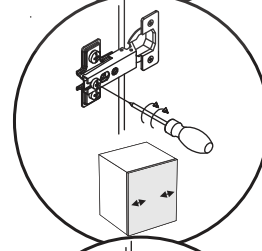
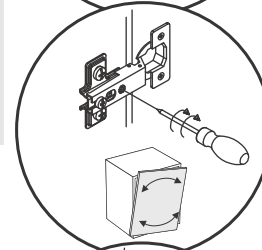
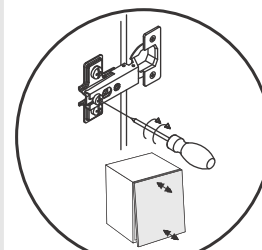
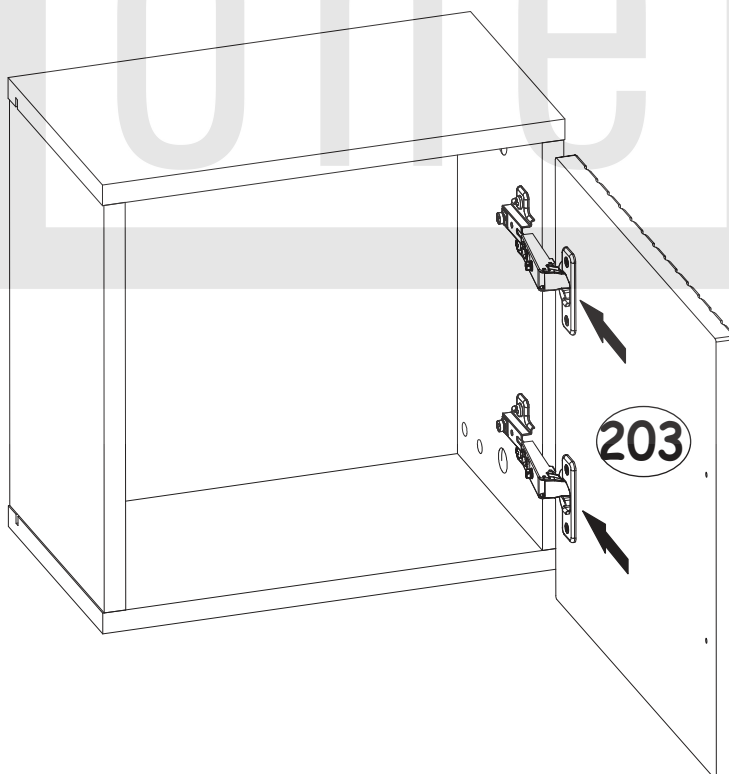
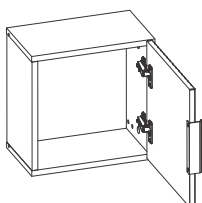
Z2		E28	
x4	Ø5	x2	H=0

8

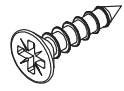



®

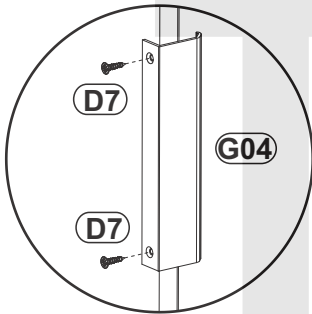
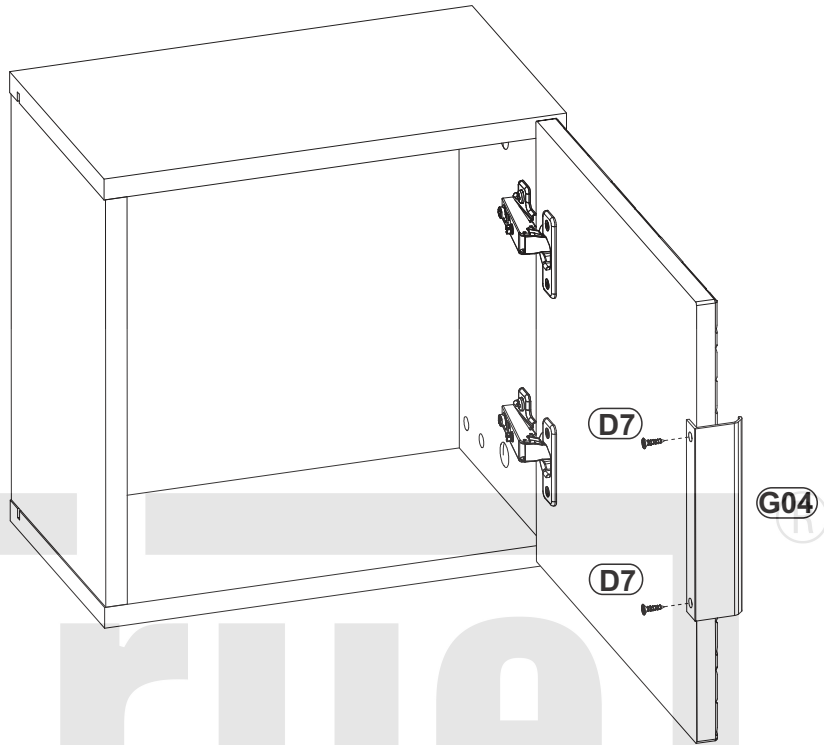
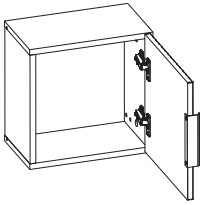
9




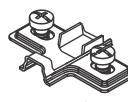
SZAFKA 1D 83-01-D-1D

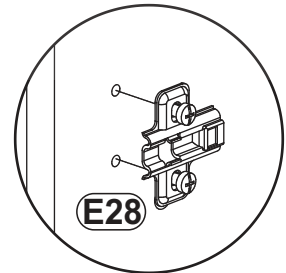
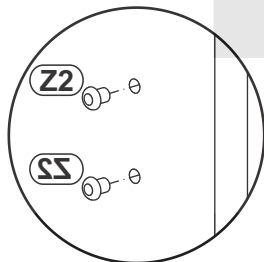
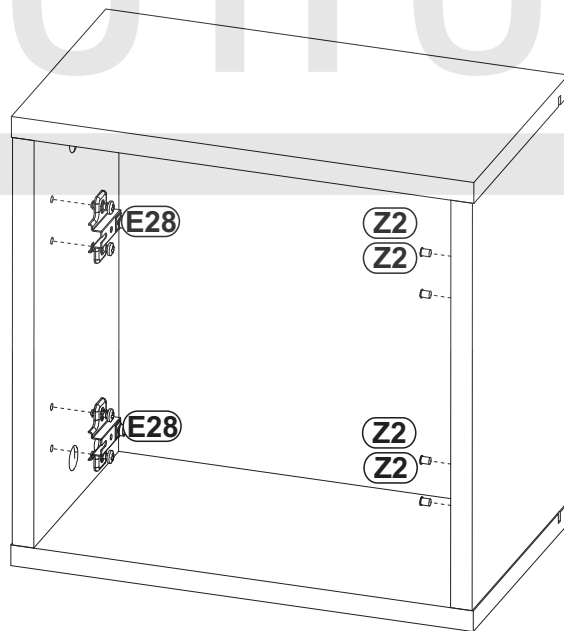
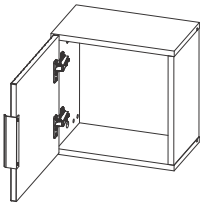
D7		G04	
x2	USØ3x16	x1	L-148mm.

10

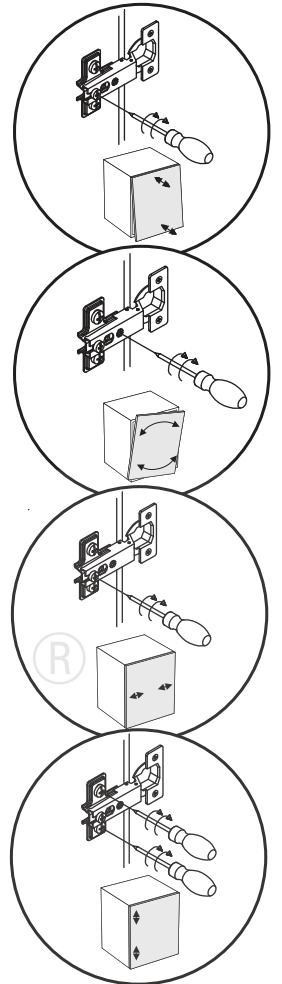
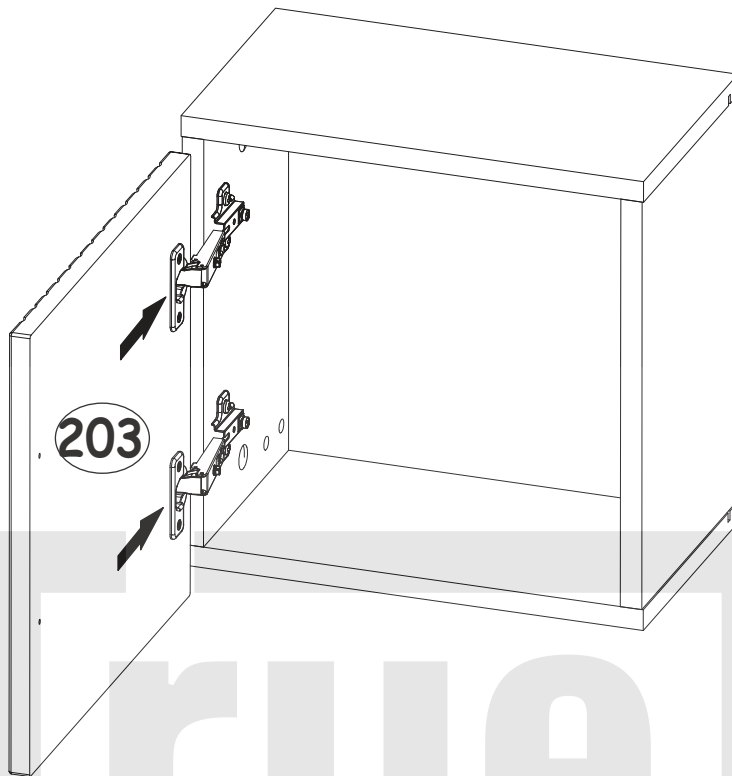
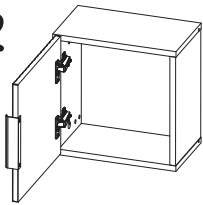


11

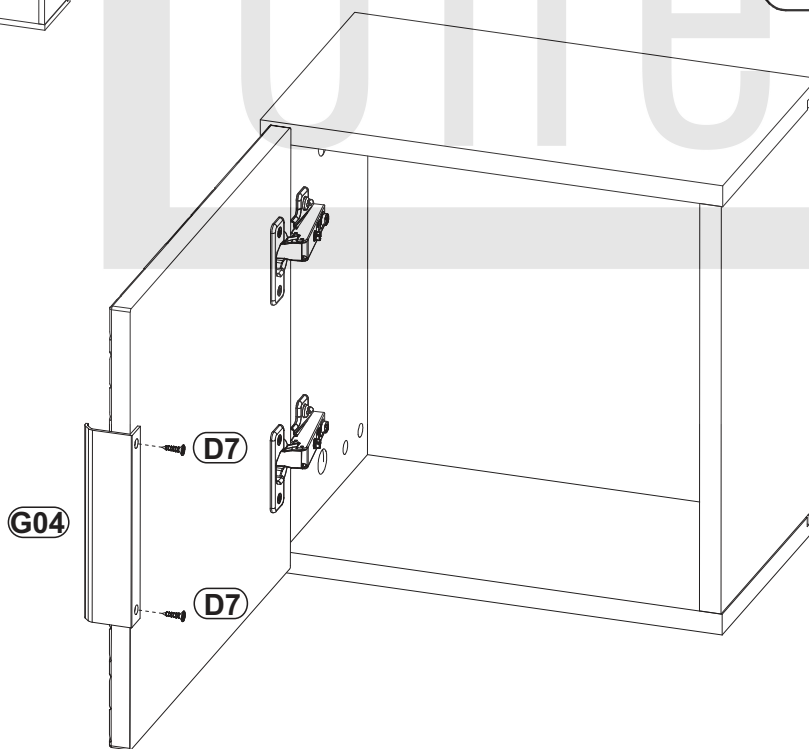
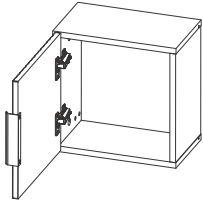
Z2		E28	
x4	Ø5	x2	H=0

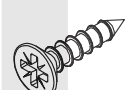



12



13



D7		G04	
x2	USØ3x16	x1	L-148mm.

