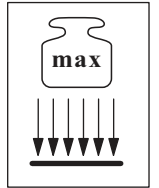
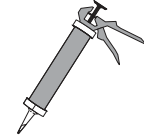
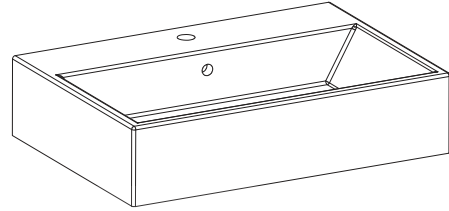


BLAT 120 CM BL852, 89-120-B

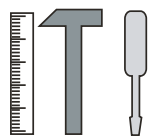
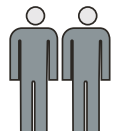
SILIKON



x2



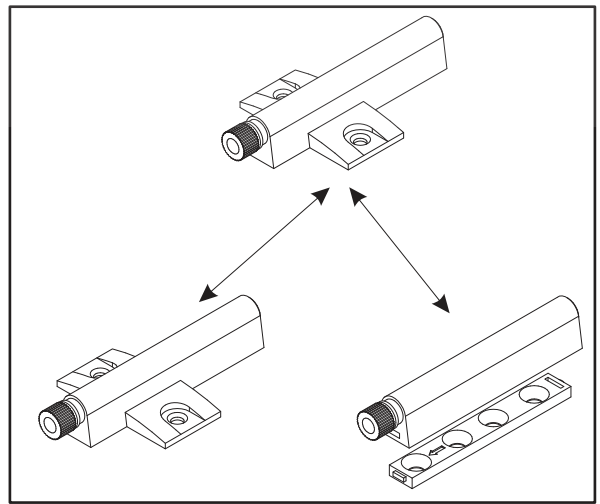
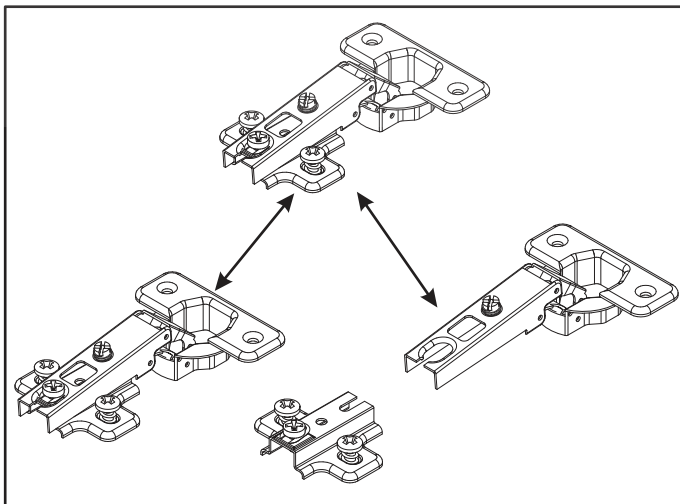
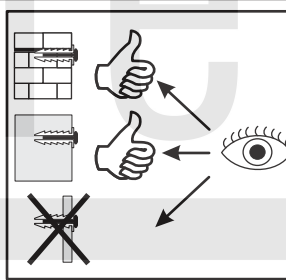
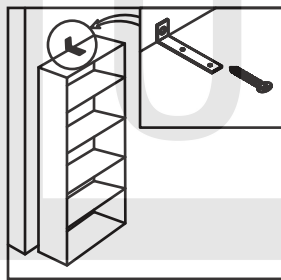
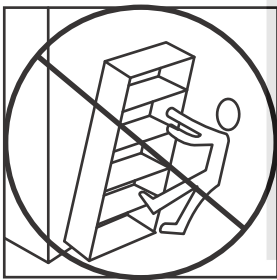
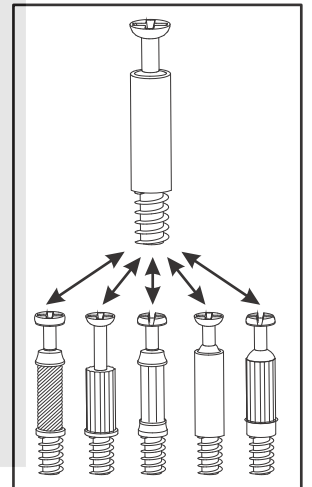
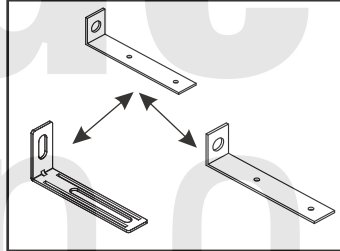
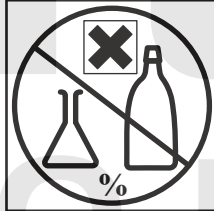
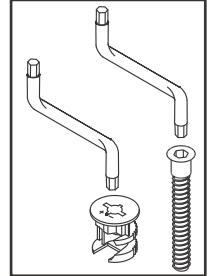
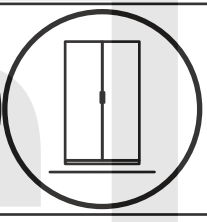
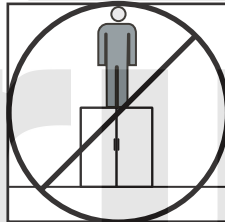
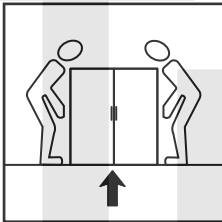
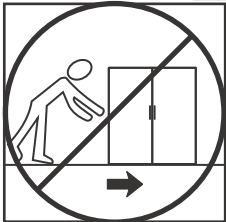
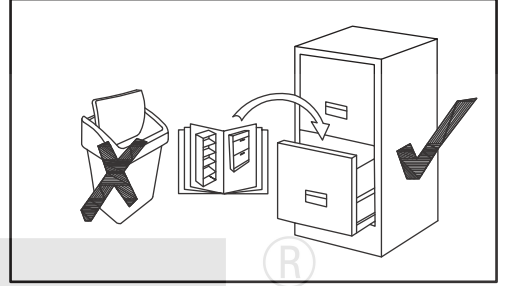
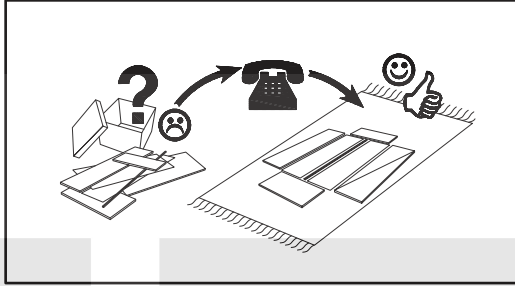
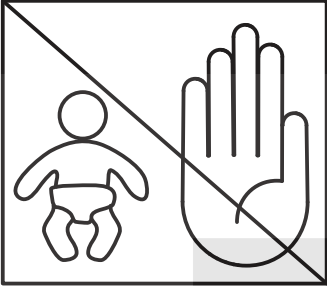
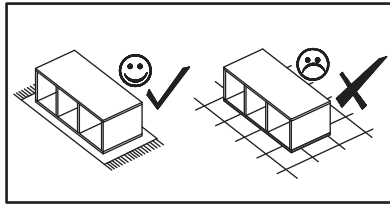
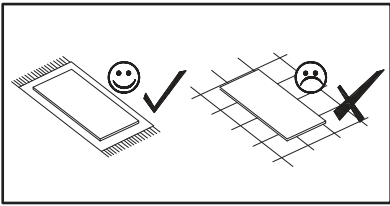
90 min



BLAT 120 CM BL852, 89-120-B

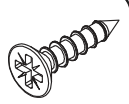
NO	Dim. [mm]			Col.-No	Qty
1	1208	465	22	1	1





BLAT 120 CM BL852, 89-120-B

D30



USØ3,5x16

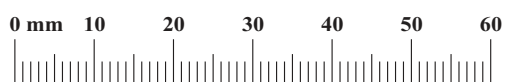
x16

KM1



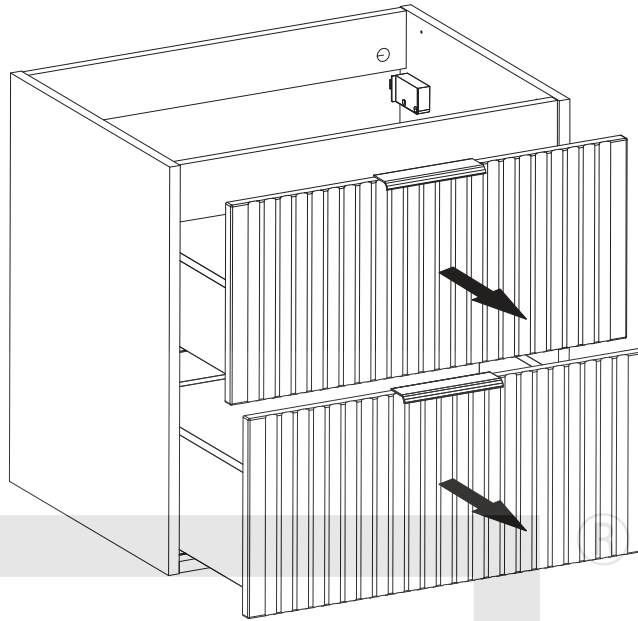
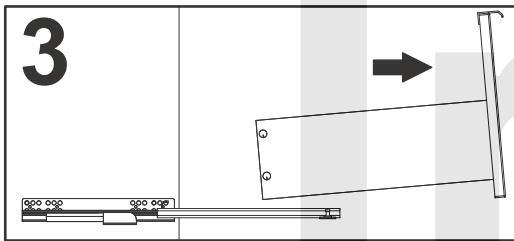
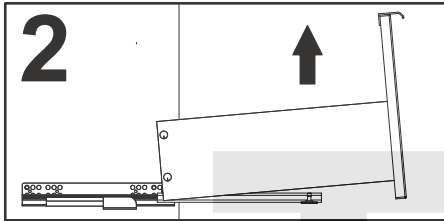
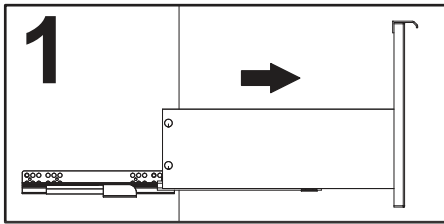
x8

True
one

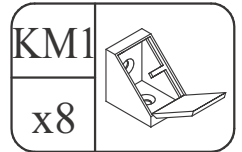
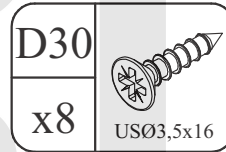


1

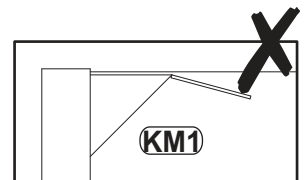
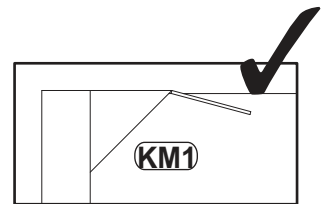
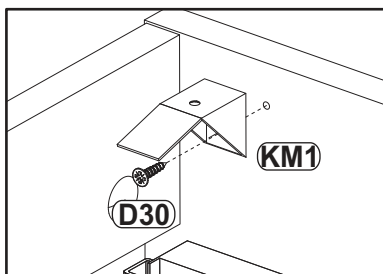
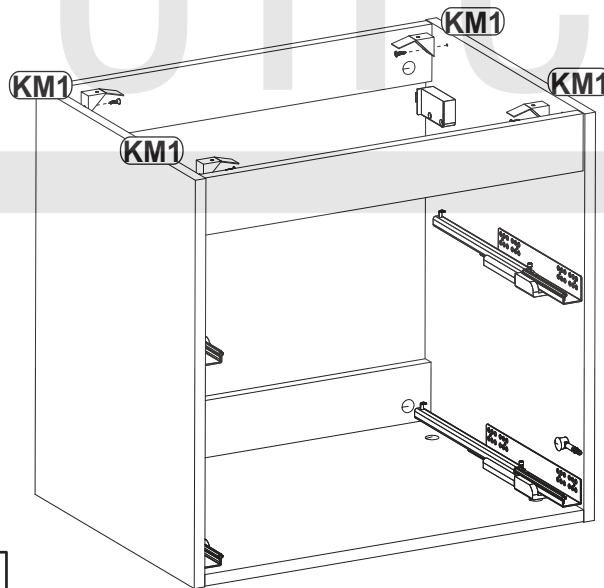
x2



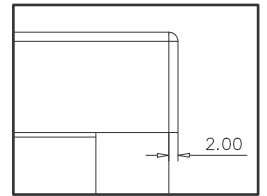
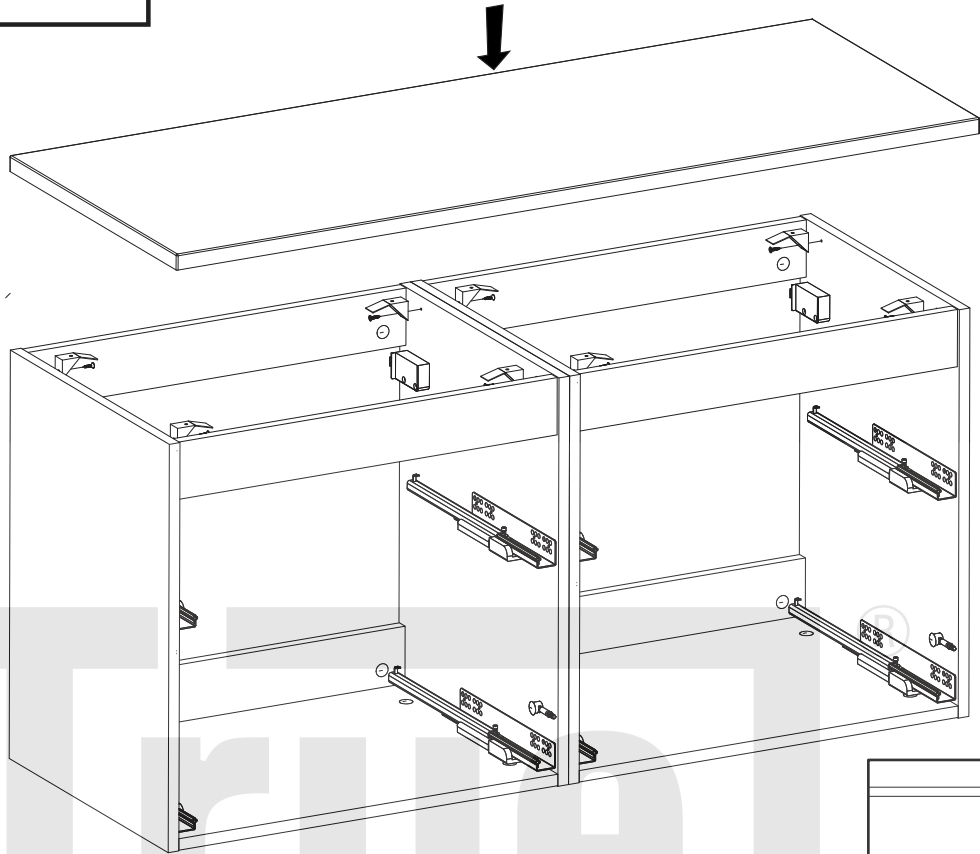
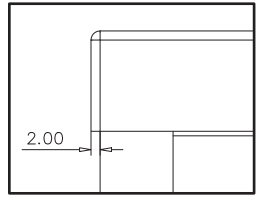
2



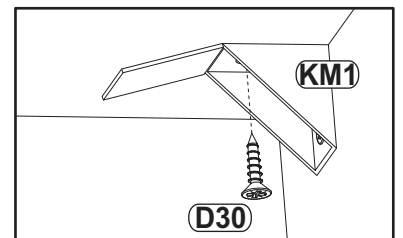
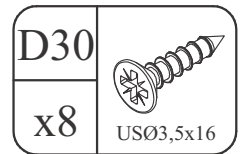
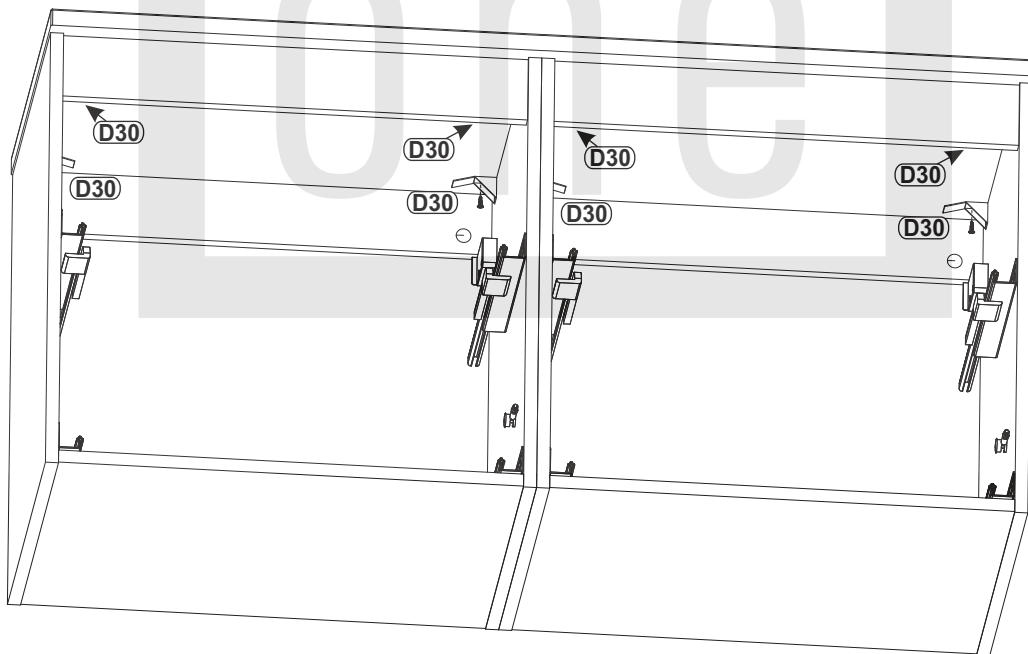
x2



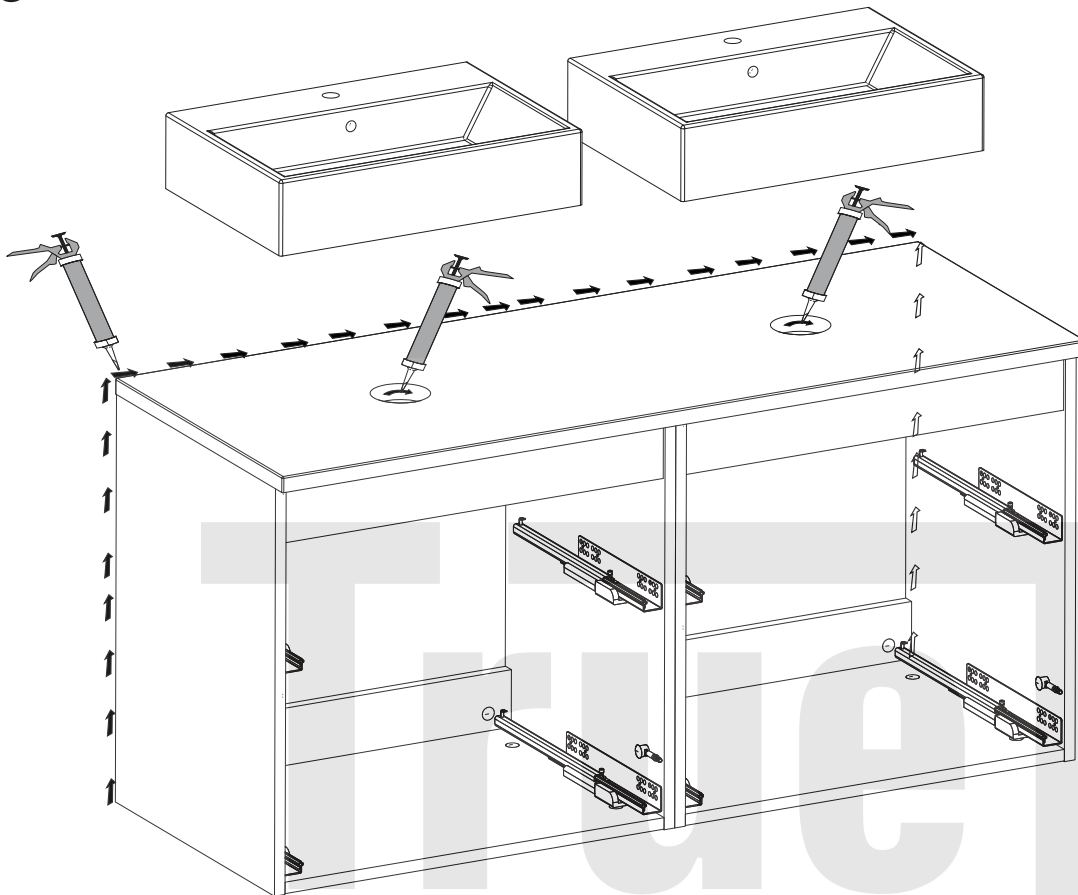
3



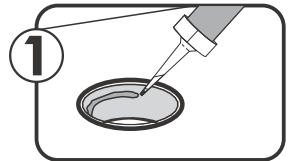
4



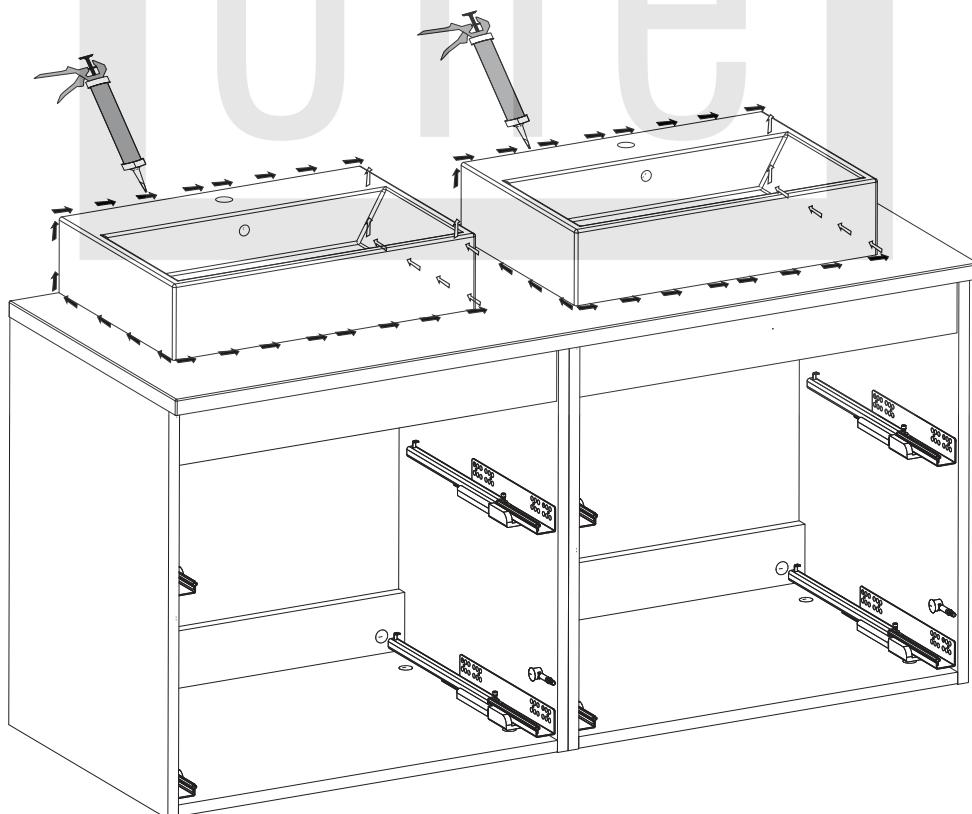
5



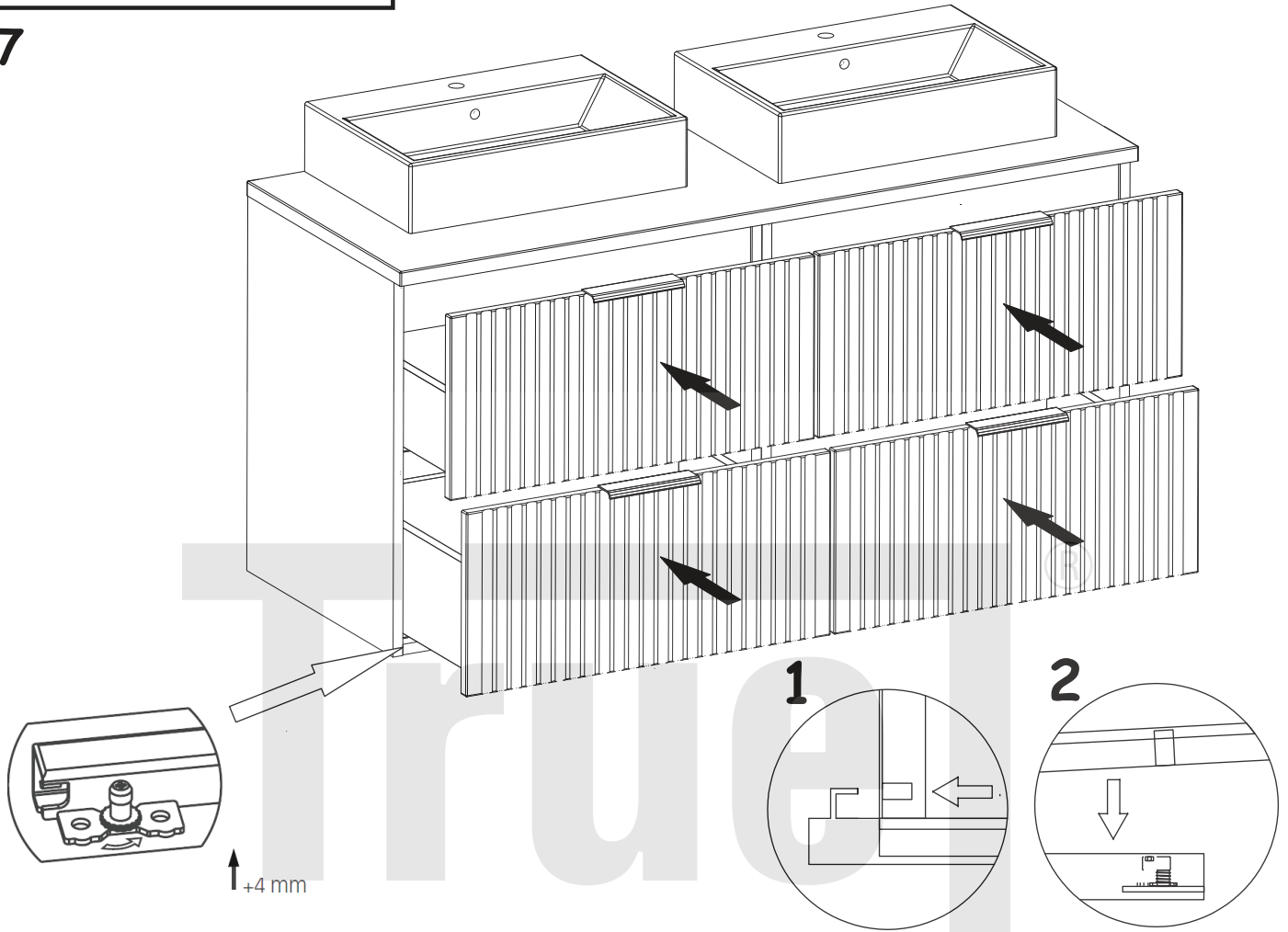
®



6



7



8

