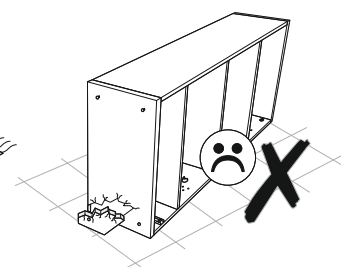
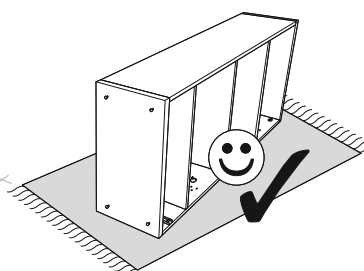
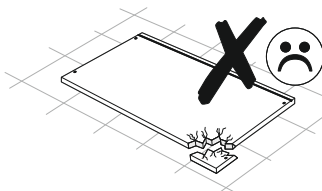
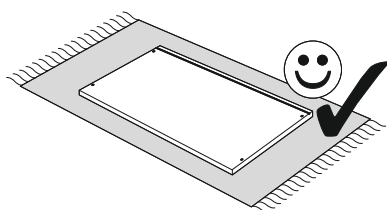
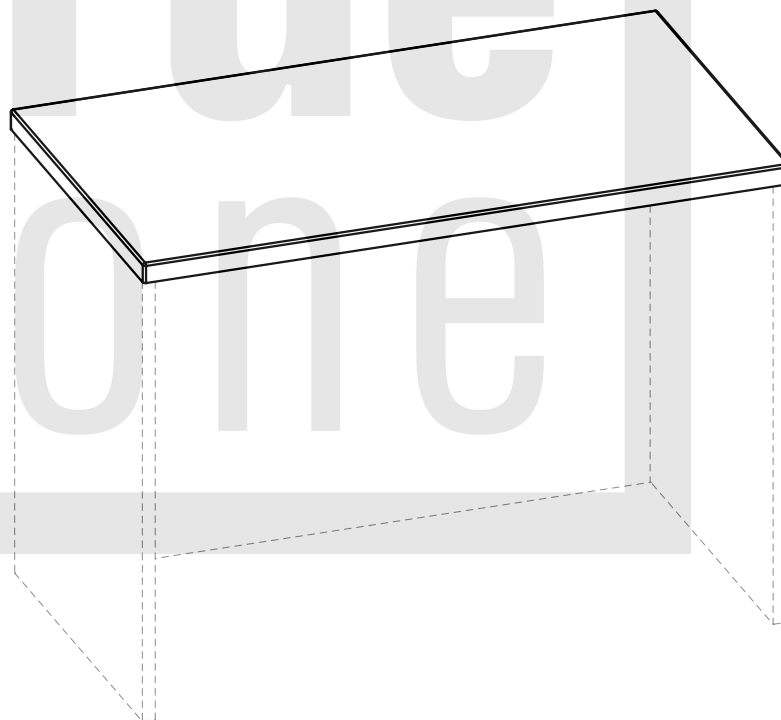
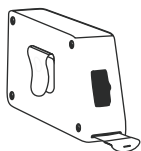
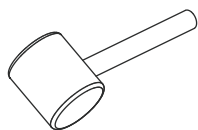
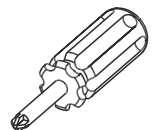
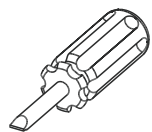
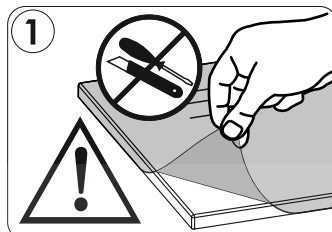
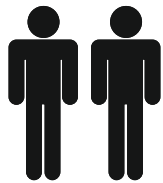
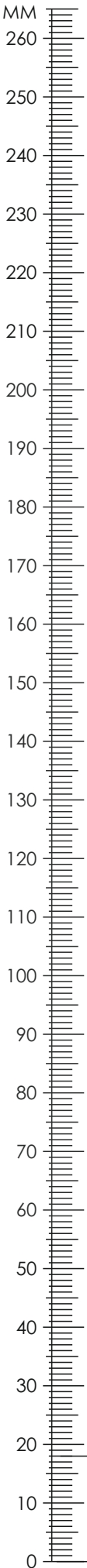


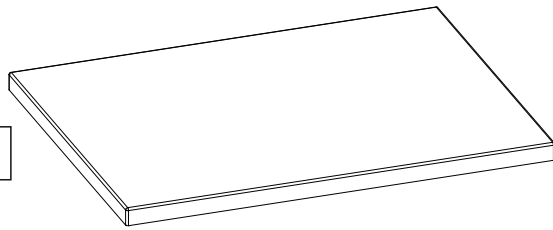
# TYP 890 891 892 893



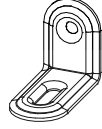
# TYP 890 891 892 893



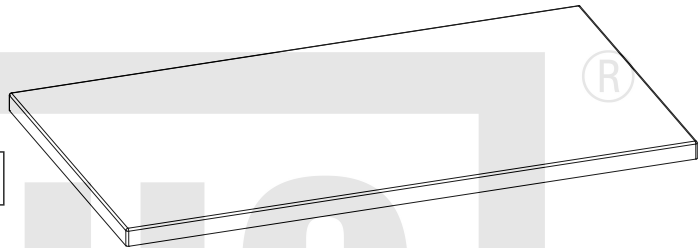
604 456 25 x1 1/1



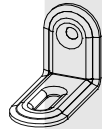
## TYP 890

<b>J4</b>	3,5 x 16 mm	x12	<b>Q8</b>		x6
-----------	-------------	-----	-----------	---	----

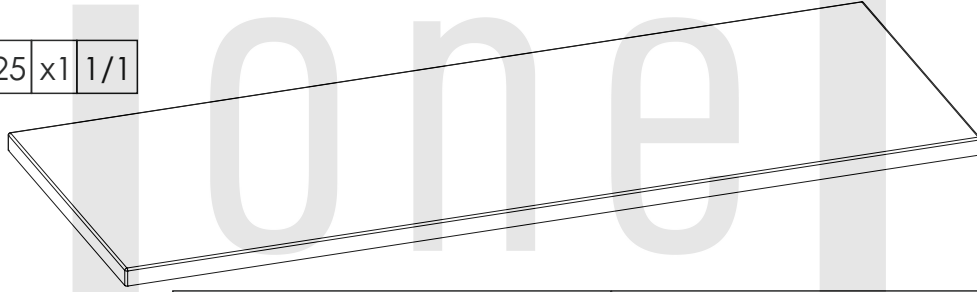
804 456 25 x1 1/1



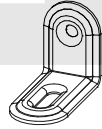
## TYP 891

<b>J4</b>	3,5 x 16 mm	x12	<b>Q8</b>		x6
-----------	-------------	-----	-----------	--	----

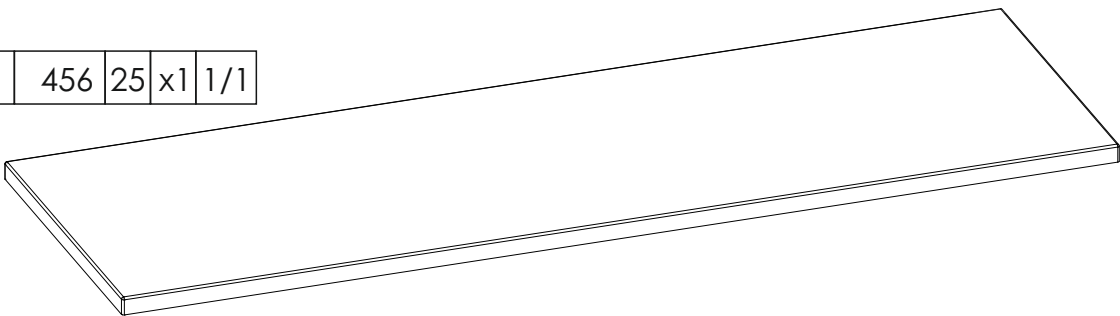
1204 456 25 x1 1/1



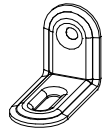
## TYP 892

<b>J4</b>	3,5 x 16 mm	x12	<b>Q8</b>		x6
-----------	-------------	-----	-----------	---	----

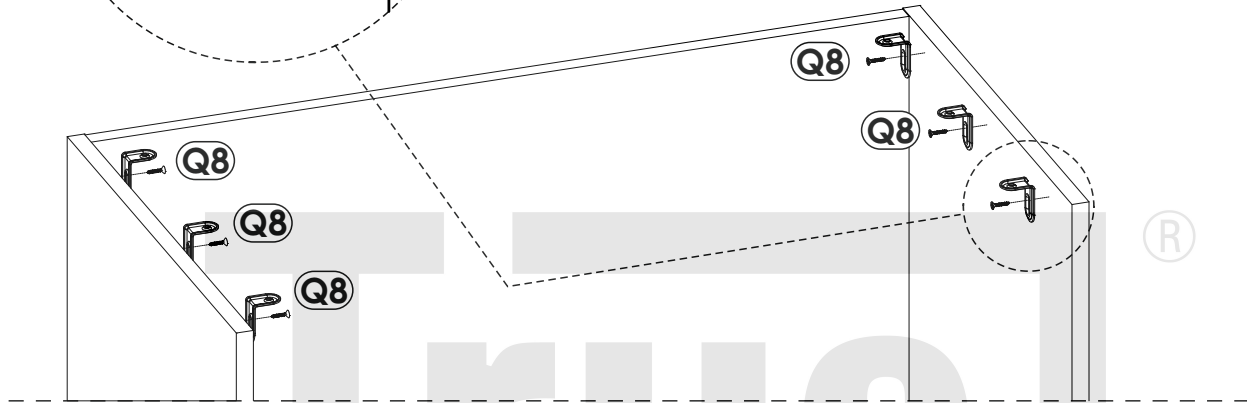
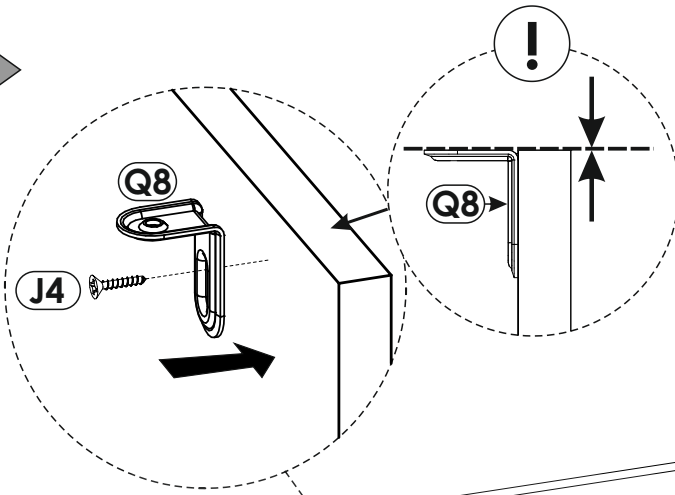
1404 456 25 x1 1/1



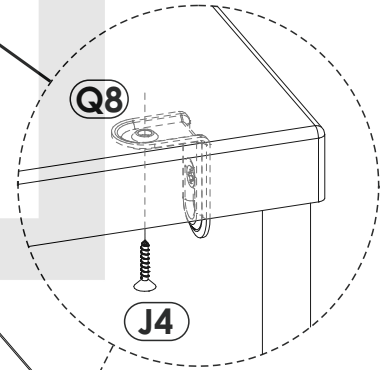
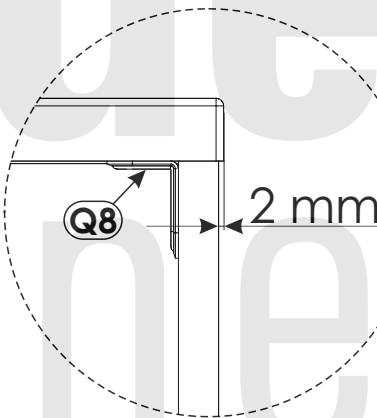
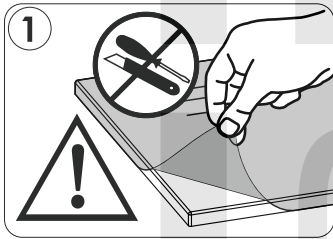
## TYP 893

<b>J4</b>	3,5 x 16 mm	x18	<b>Q8</b>		x9
-----------	-------------	-----	-----------	---	----

1 ▶



2 ▶



TYP 890/891/892/893

