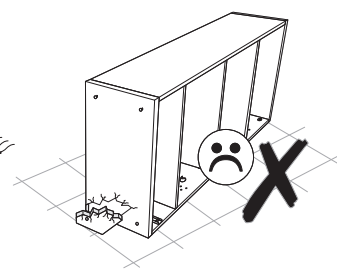
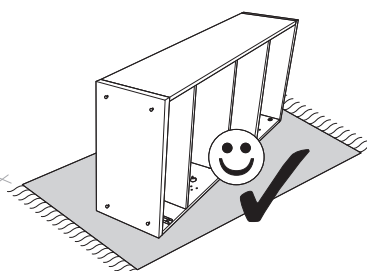
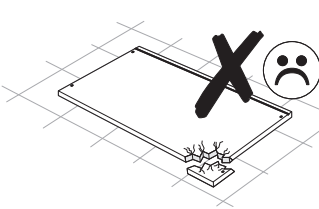
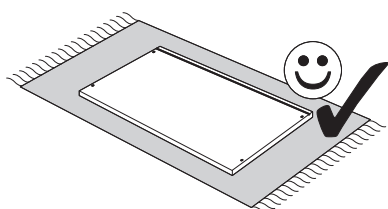
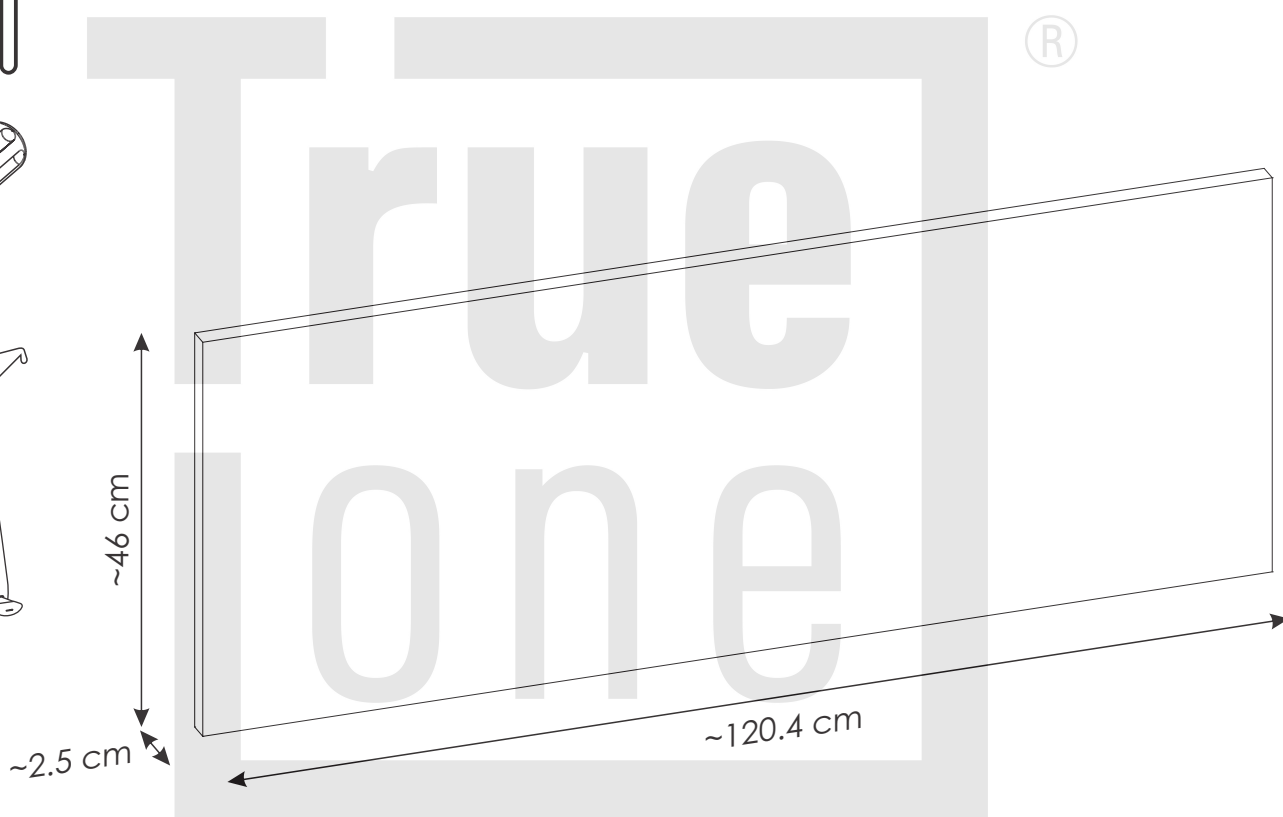
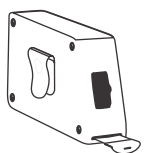
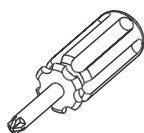
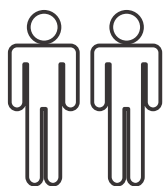
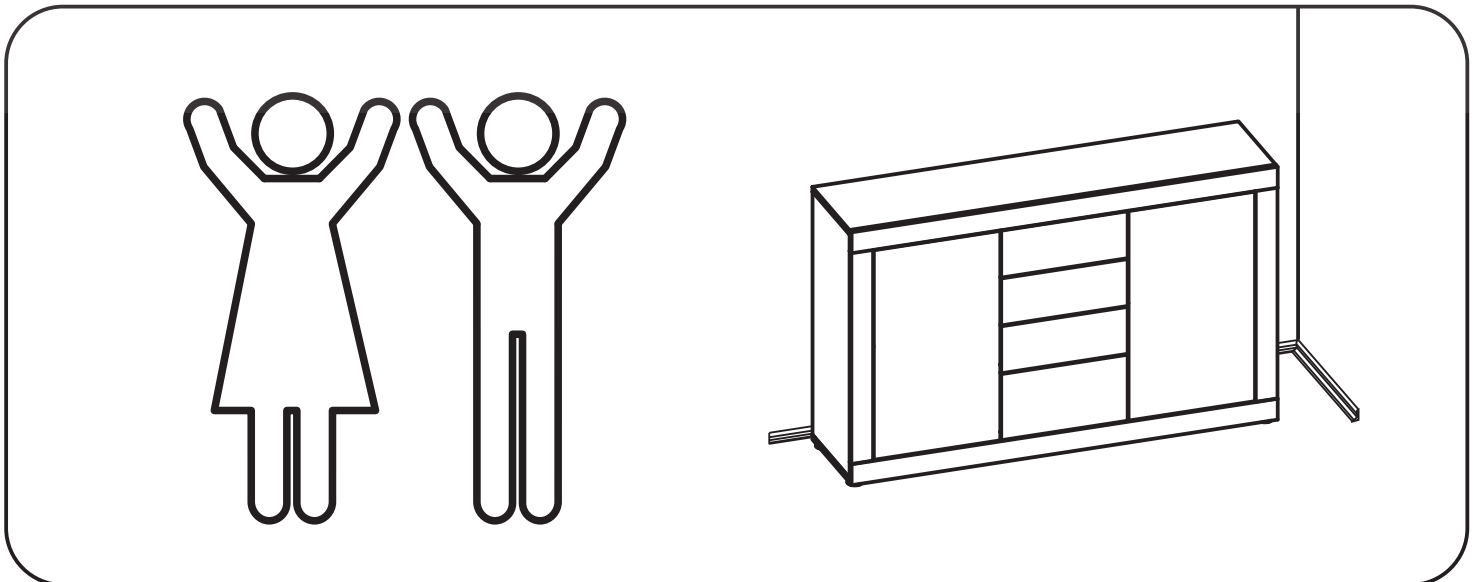
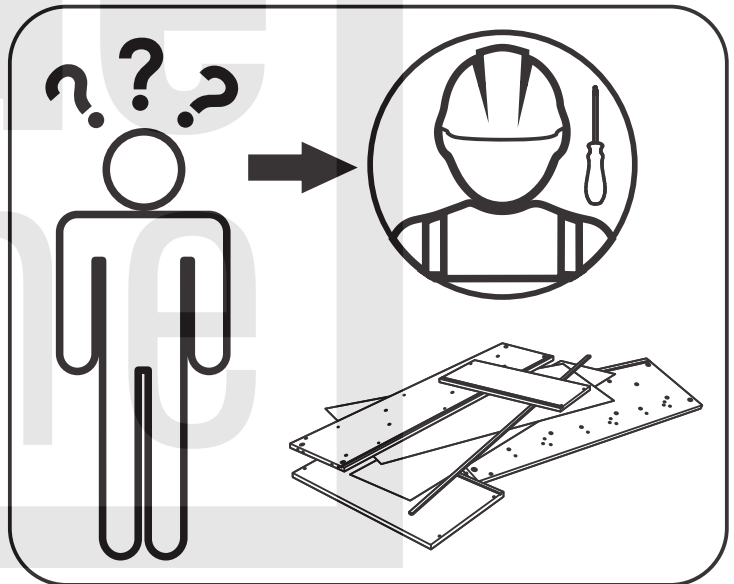
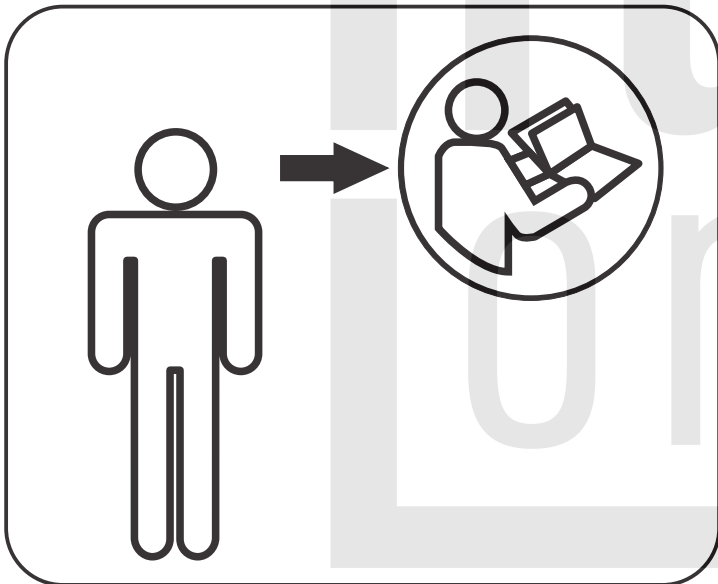
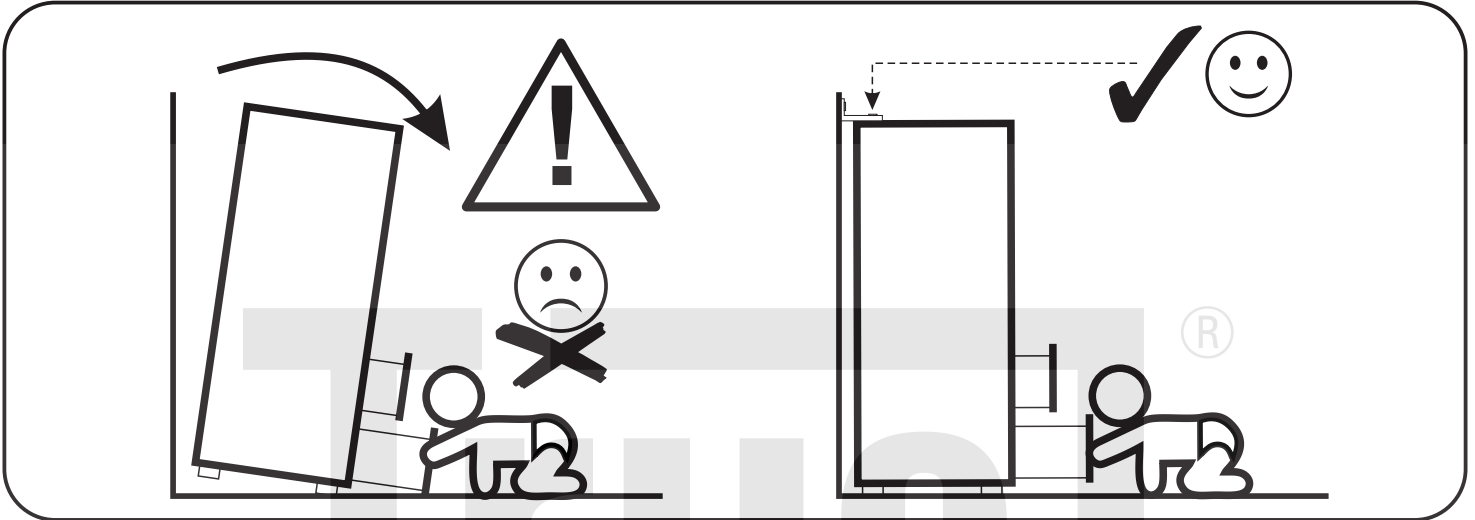
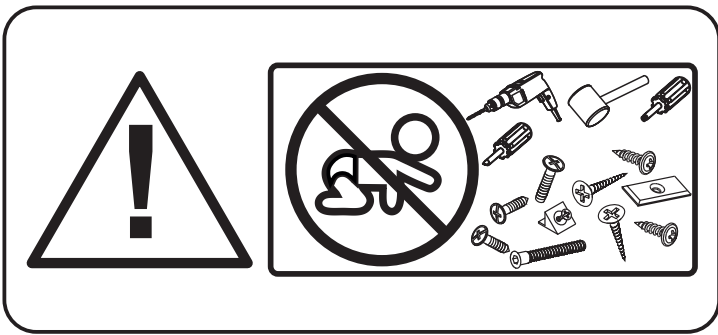
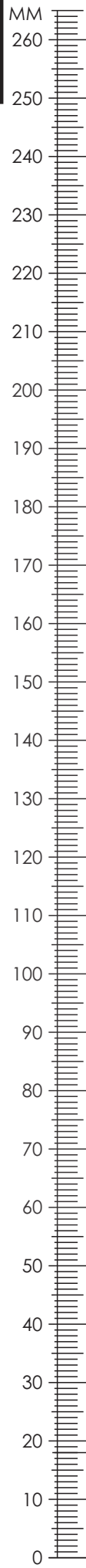


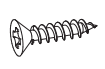
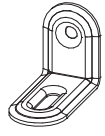
SANTA FE 89-120

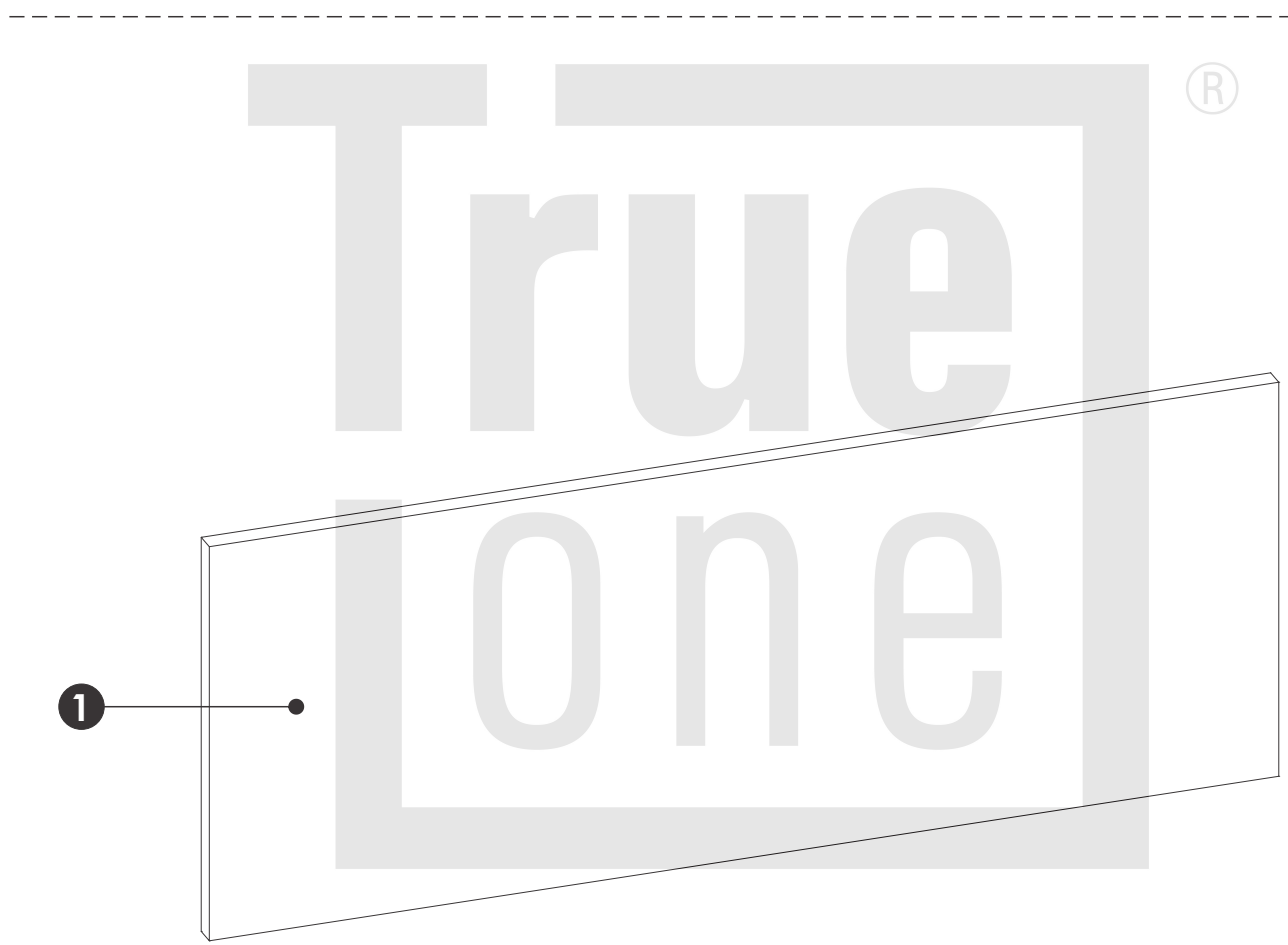




SANTA FE 89-120



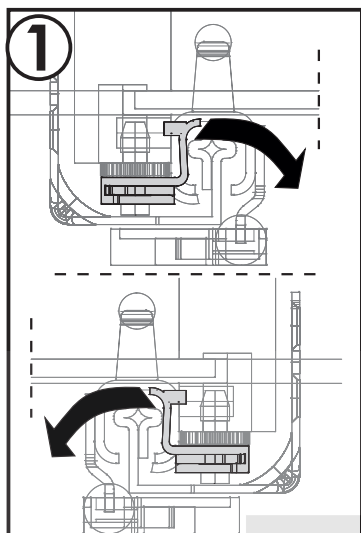
N5	3,5 x 16 mm	x24	Q8	x12
				



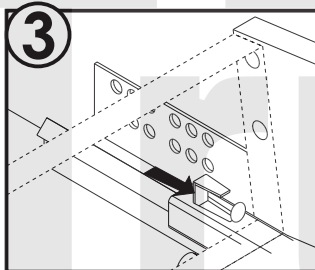
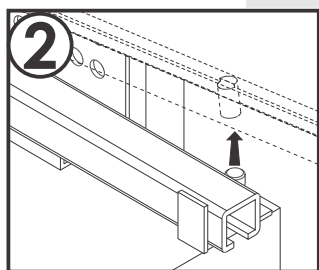
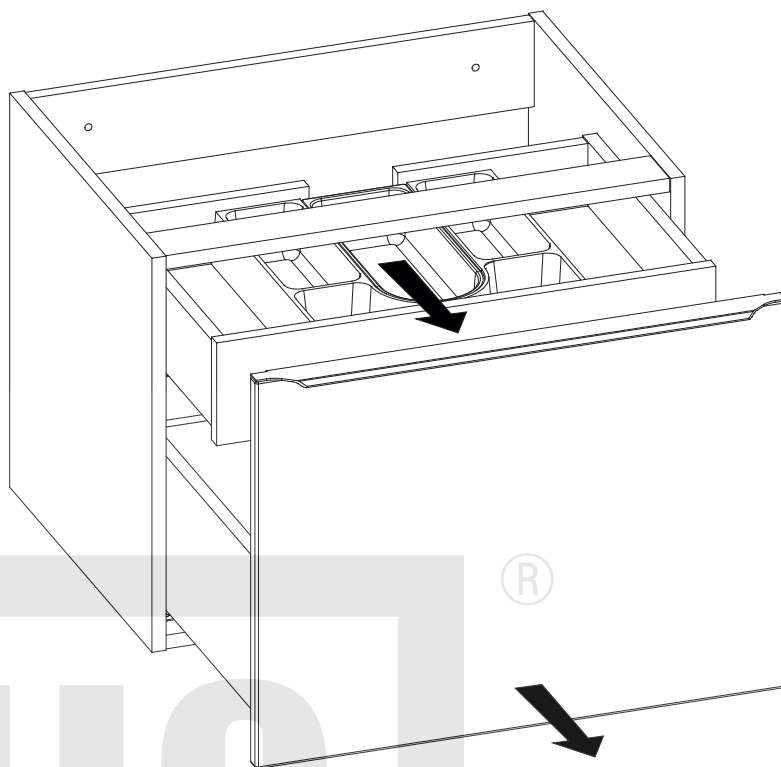
1	1204	460	25	x1	1/1
----------	------	-----	----	----	-----



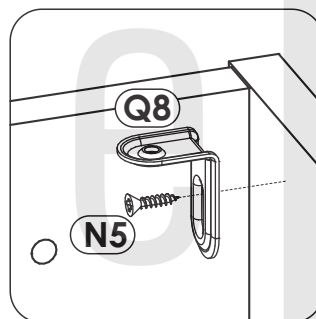
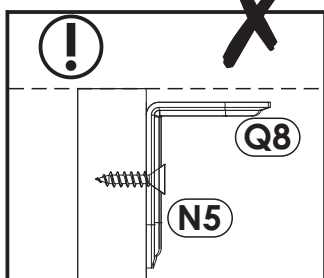
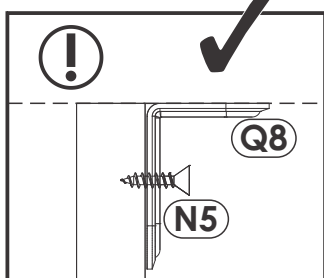
1 ▶



x2



2 ▶



x6

x2

