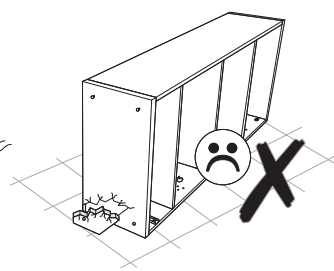
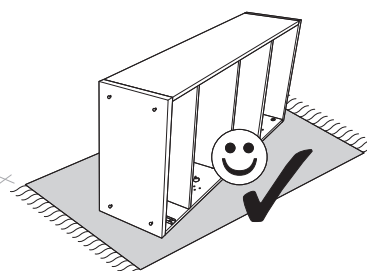
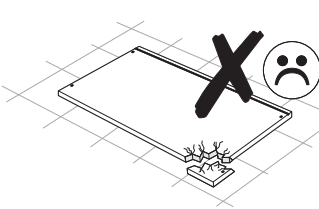
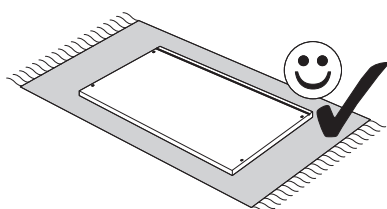
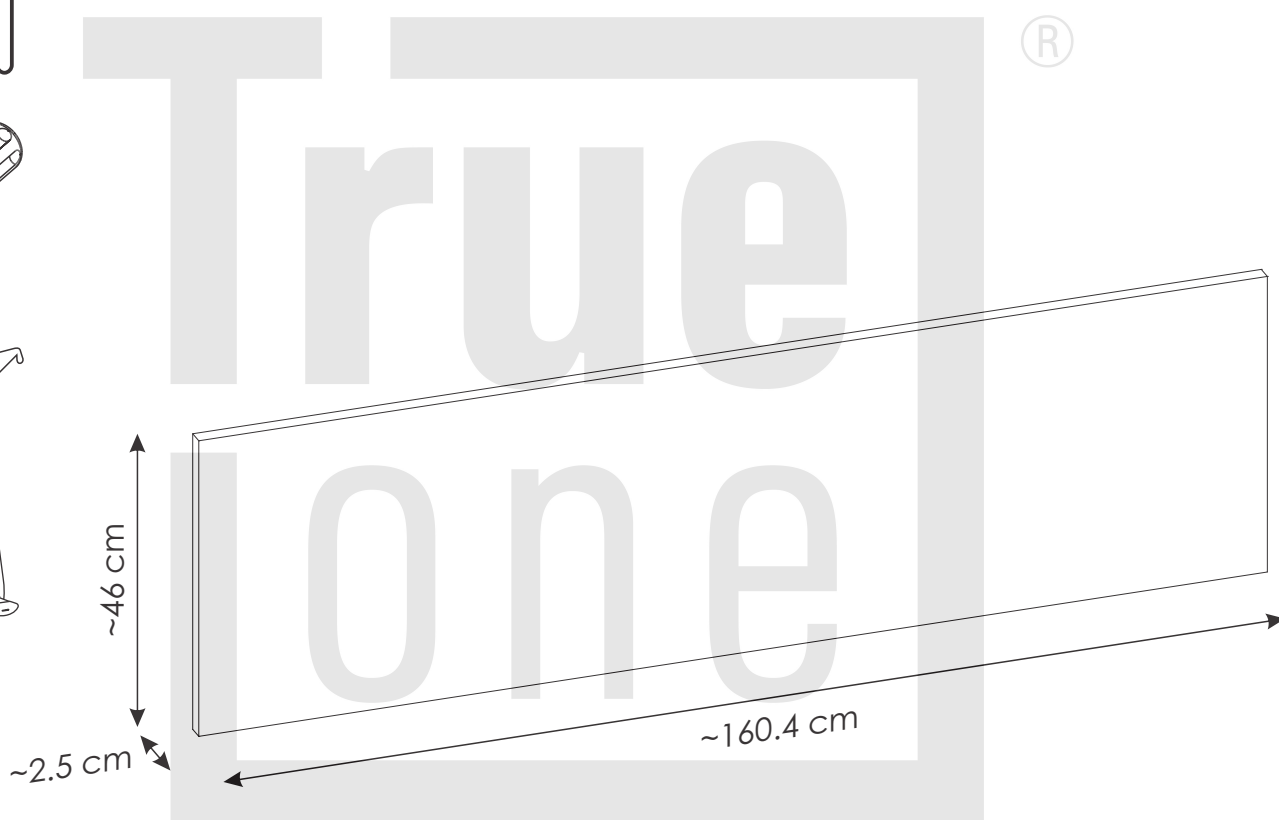
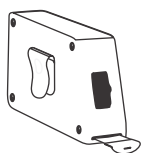
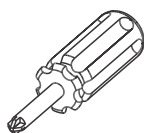
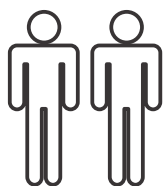
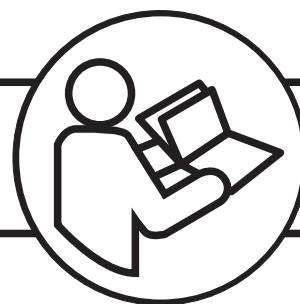
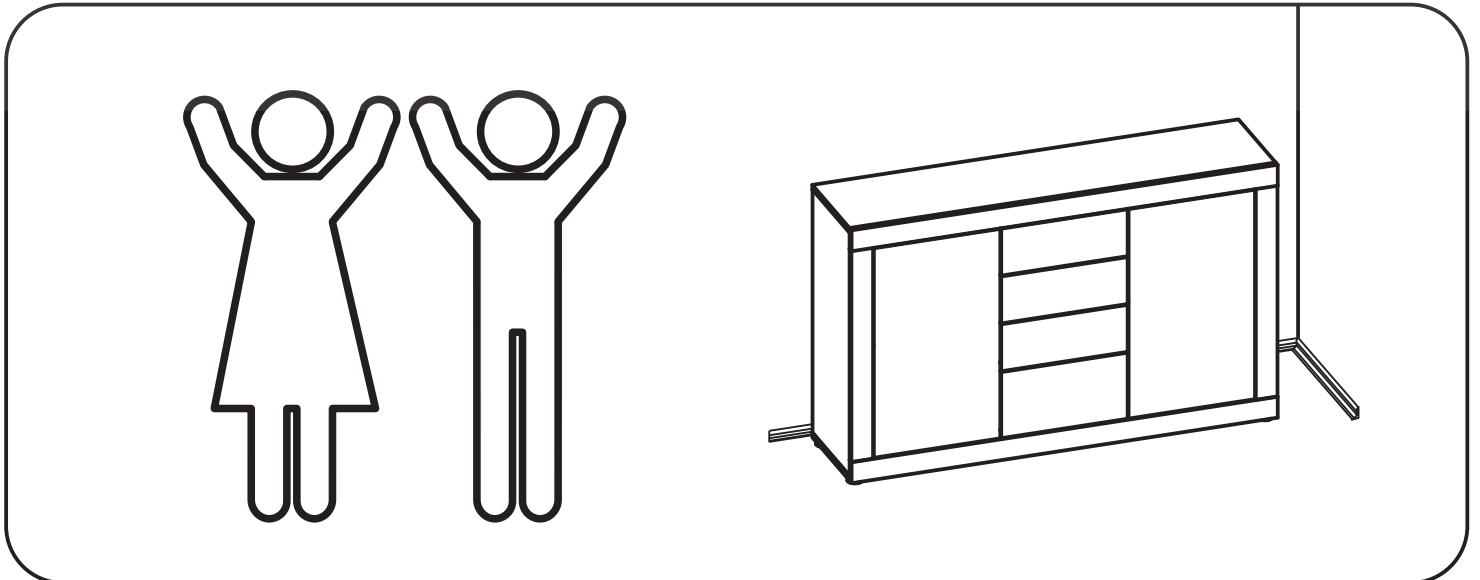
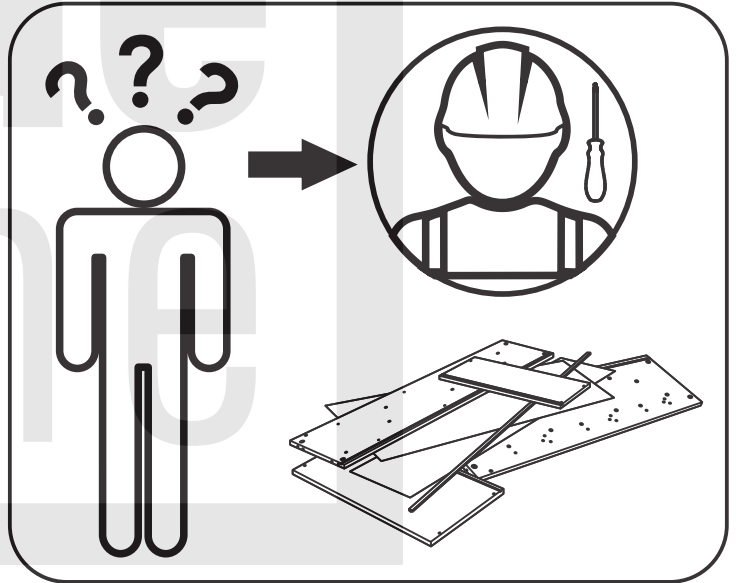
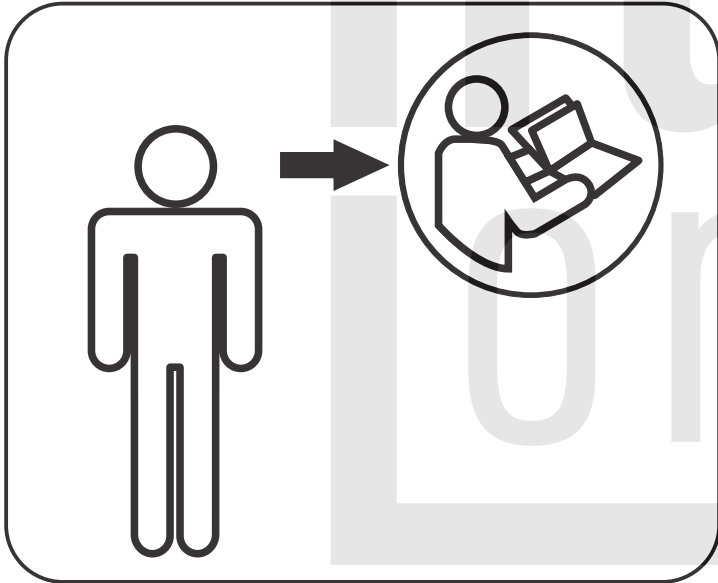
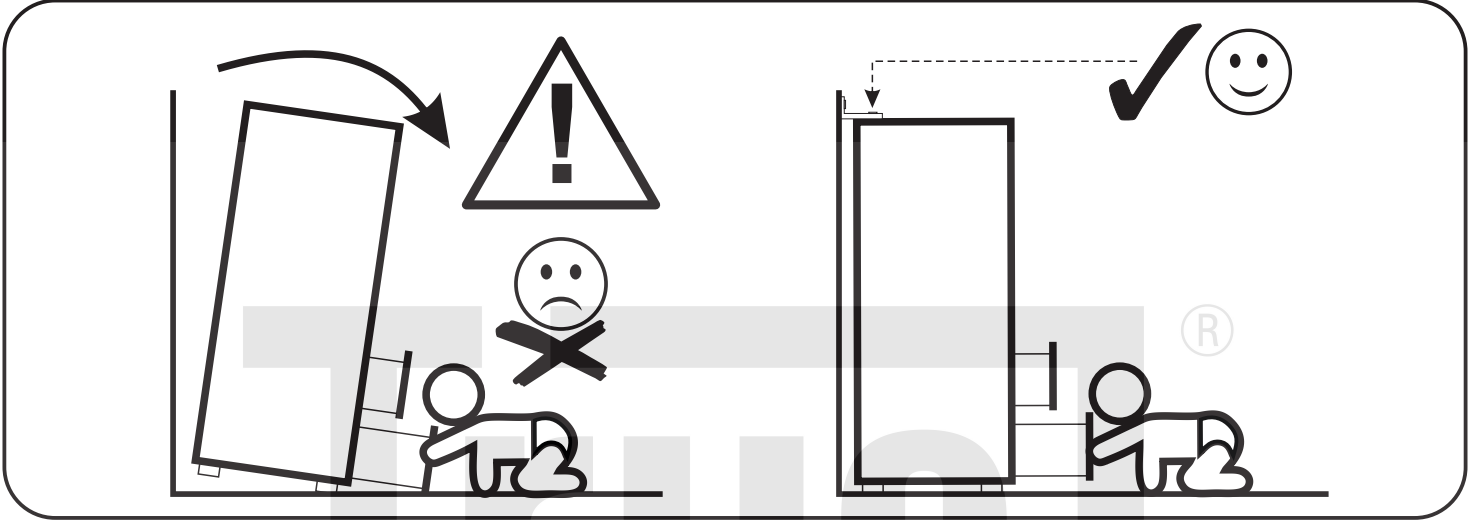
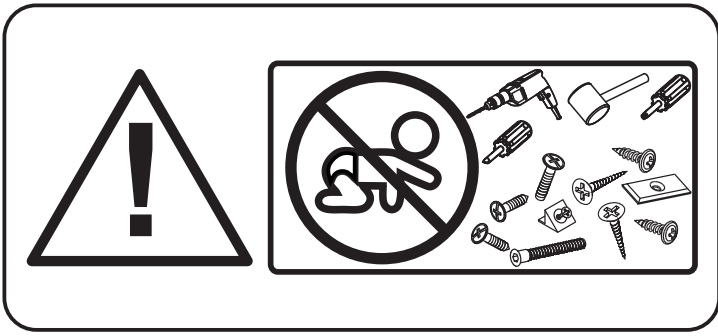
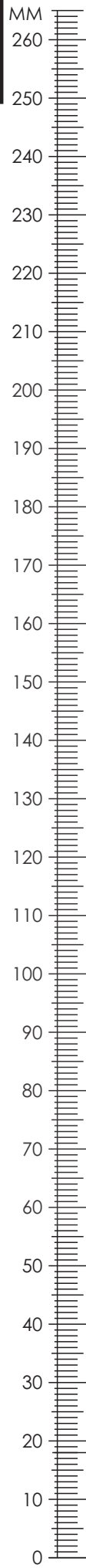



SANTA FE 89-160

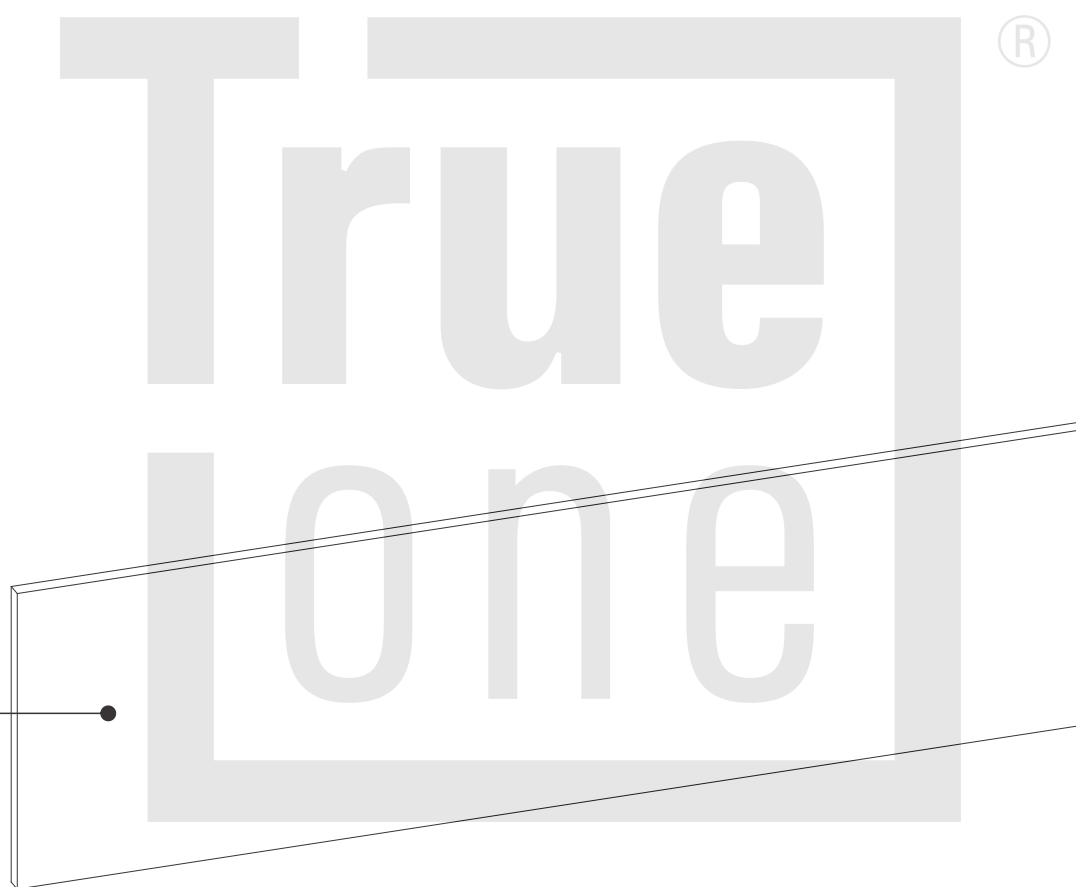




SANTA FE 89-160



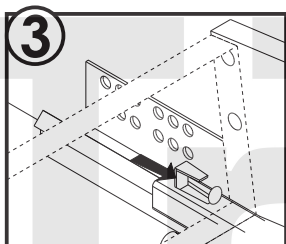
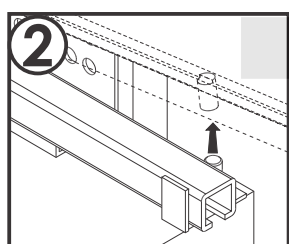
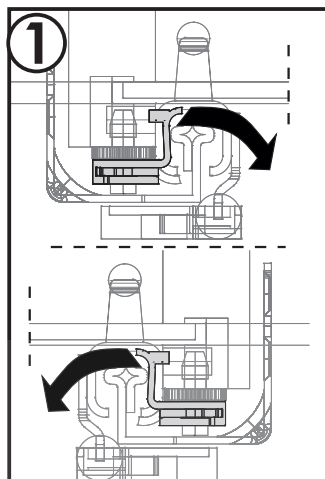
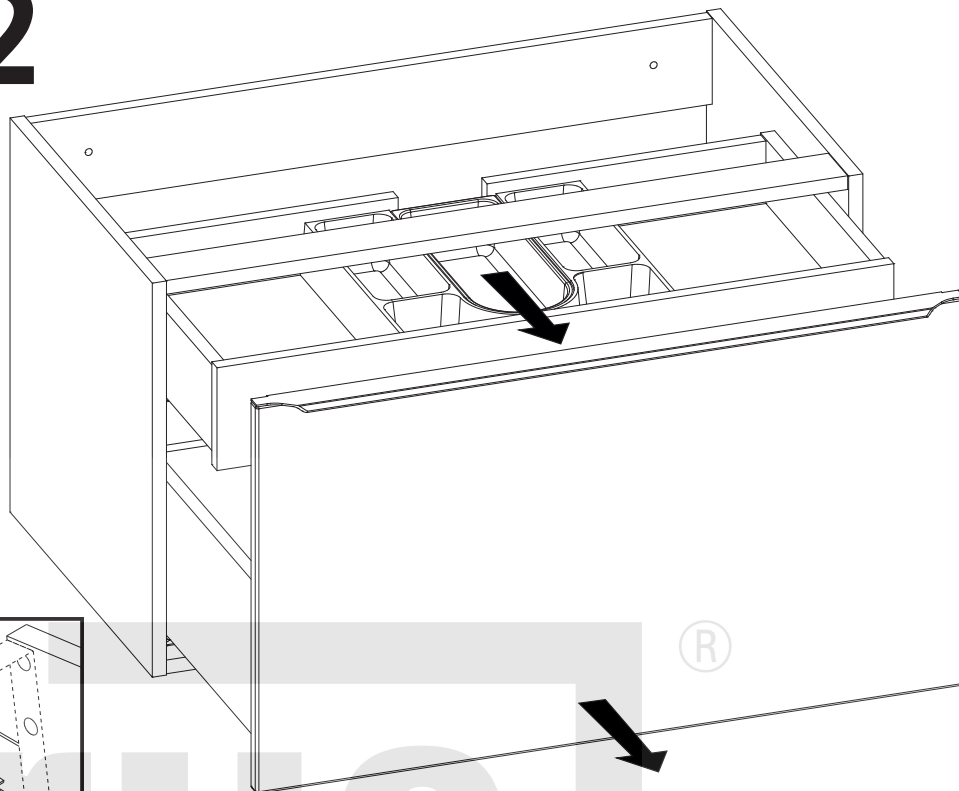
N5	3,5 x 16 mm	x24	Q8		x12
-----------	-------------	-----	-----------	---	-----



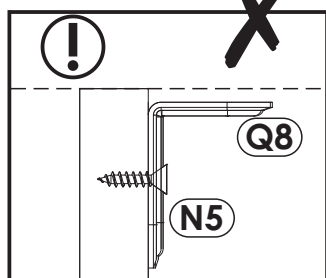
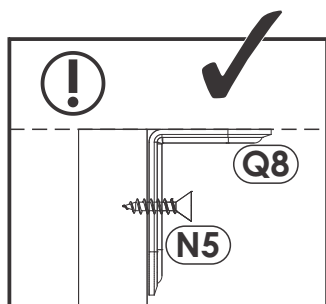
1	1604	460	25	x1	1/1
----------	------	-----	----	----	-----

1 ▶

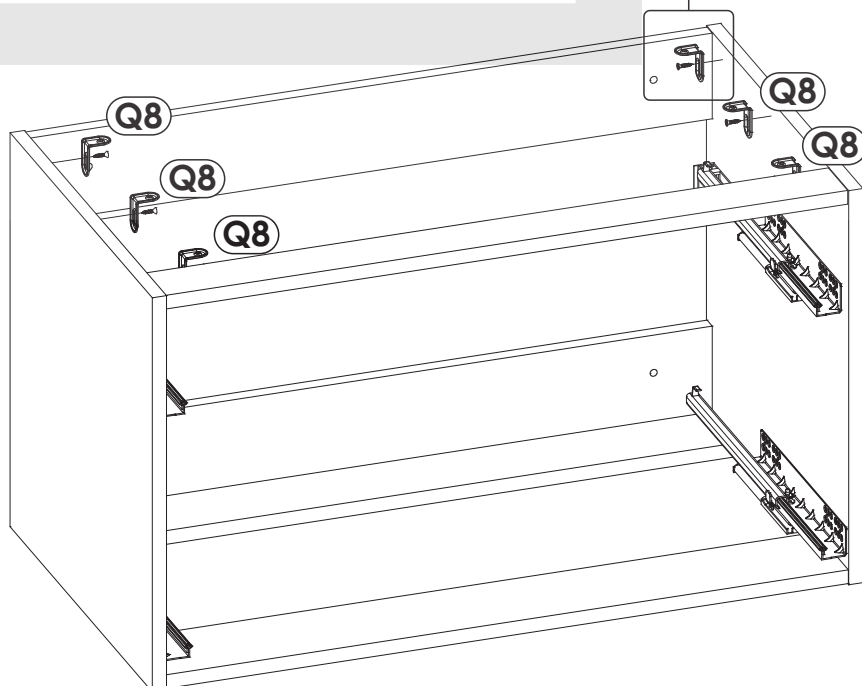
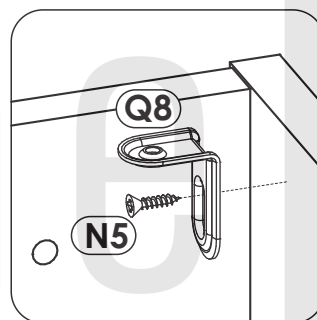
x2

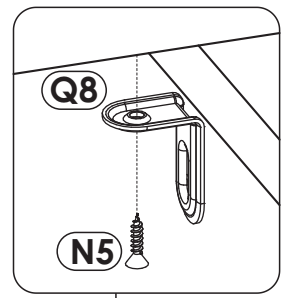
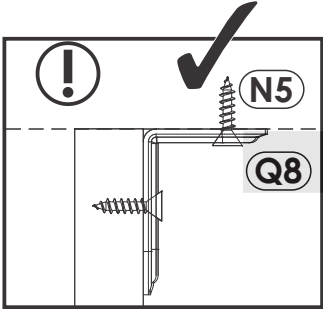
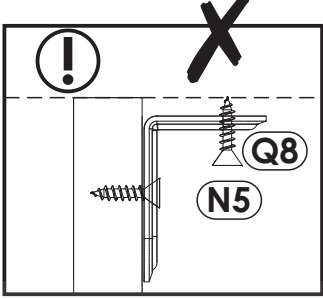
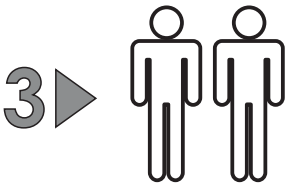


2 ▶

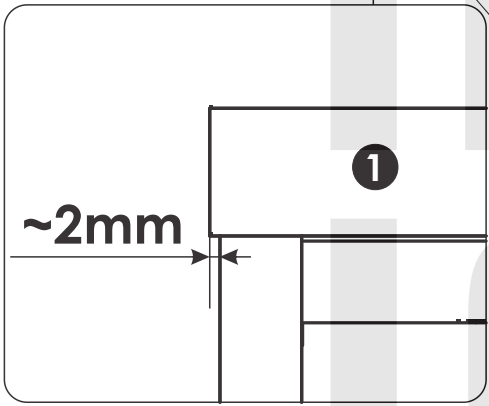
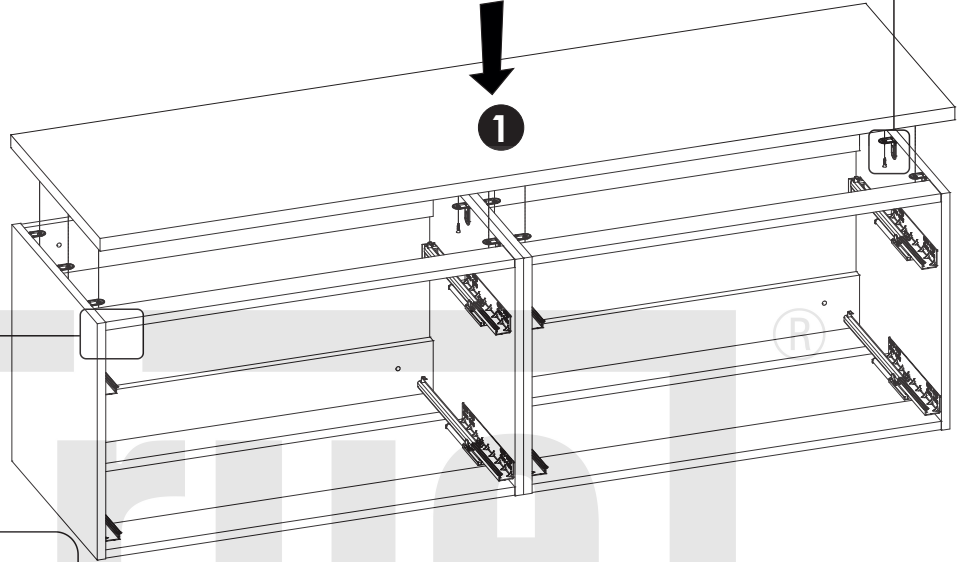


x2

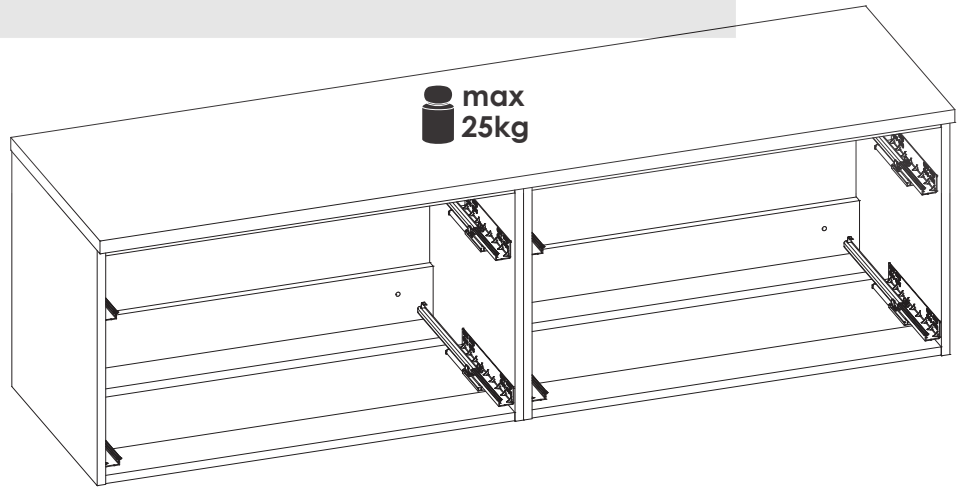


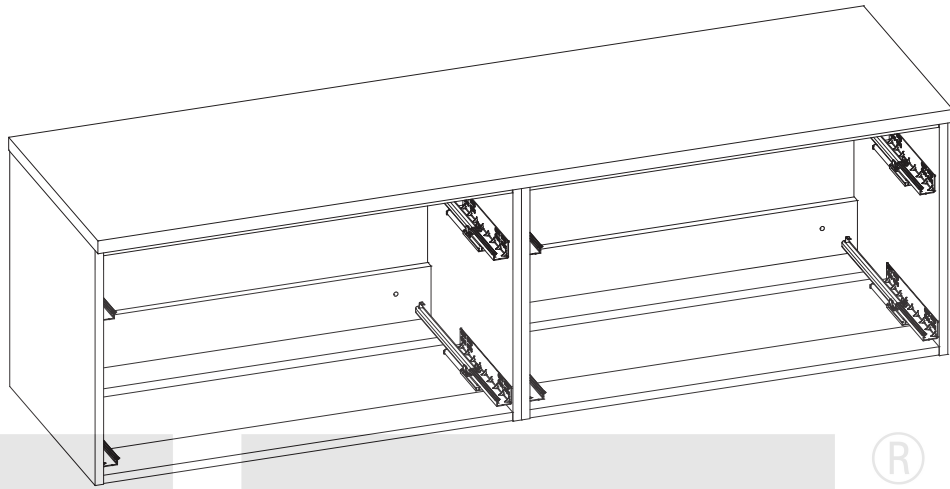


x12

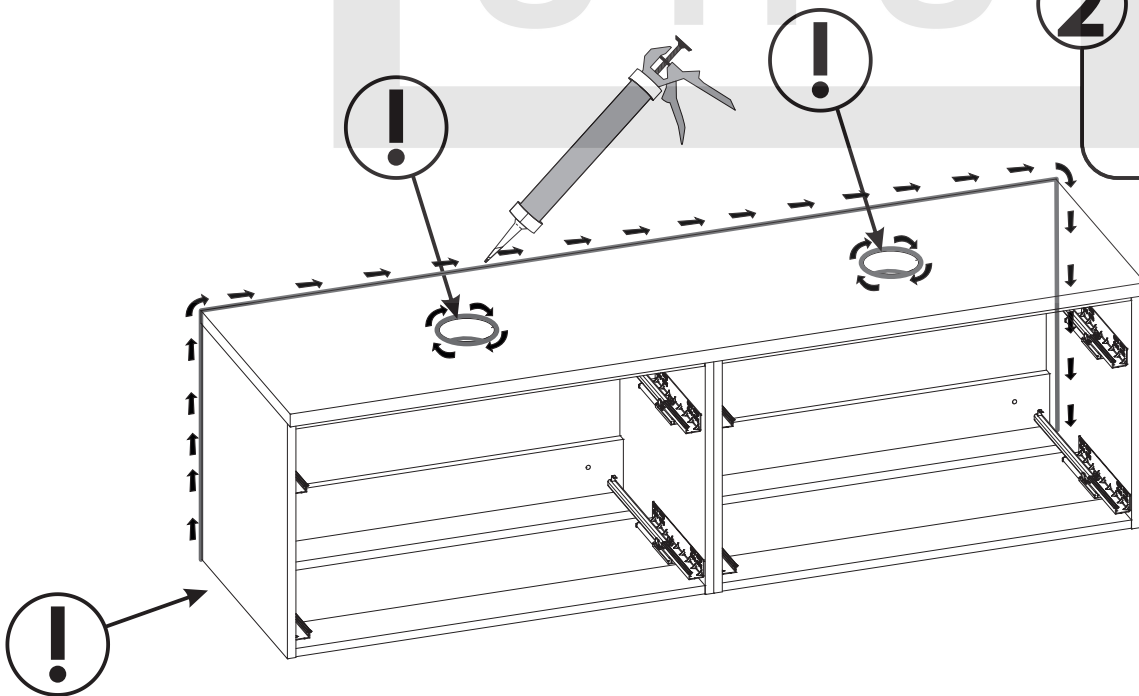
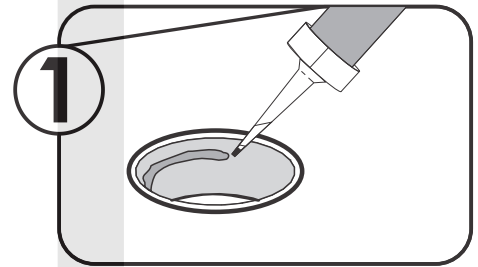
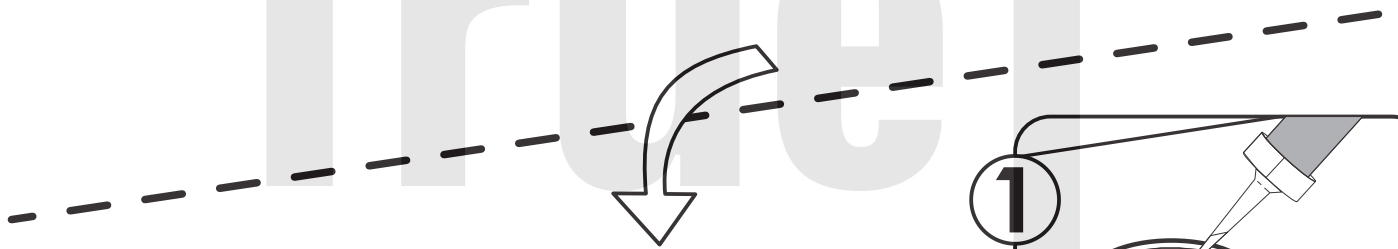


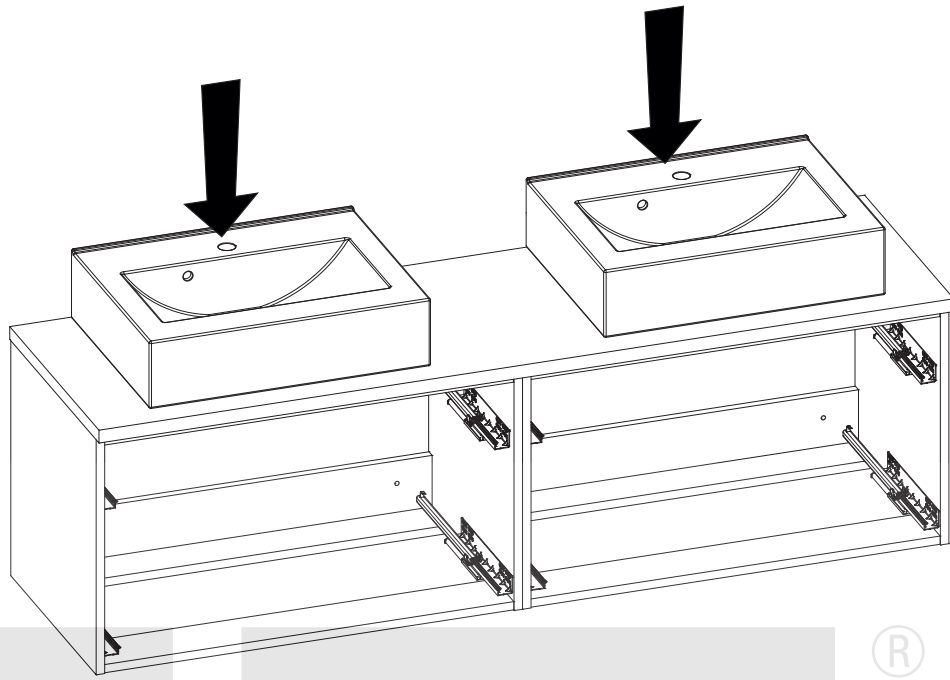
4 ▶





®





®

