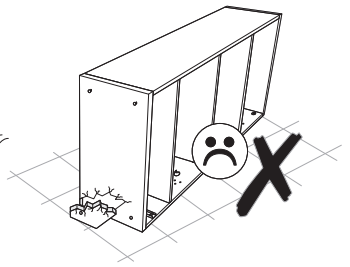
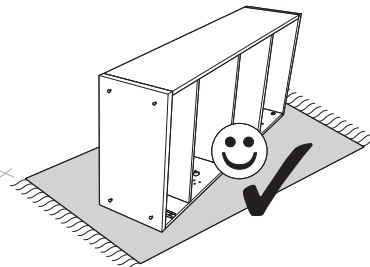
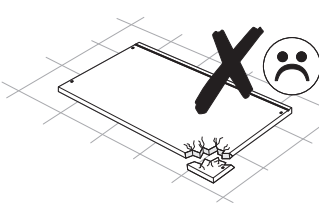
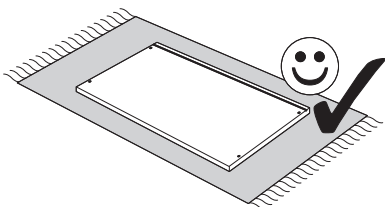
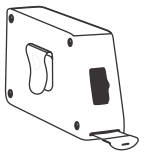
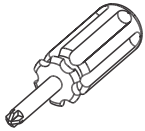
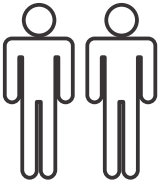
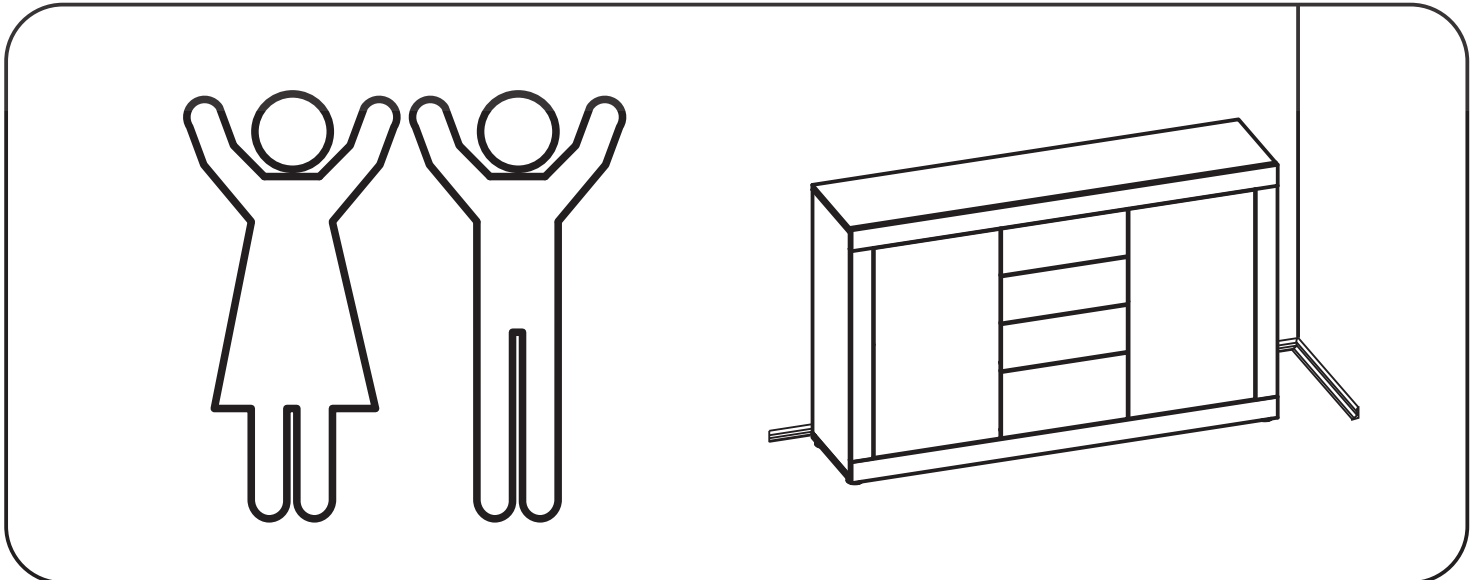
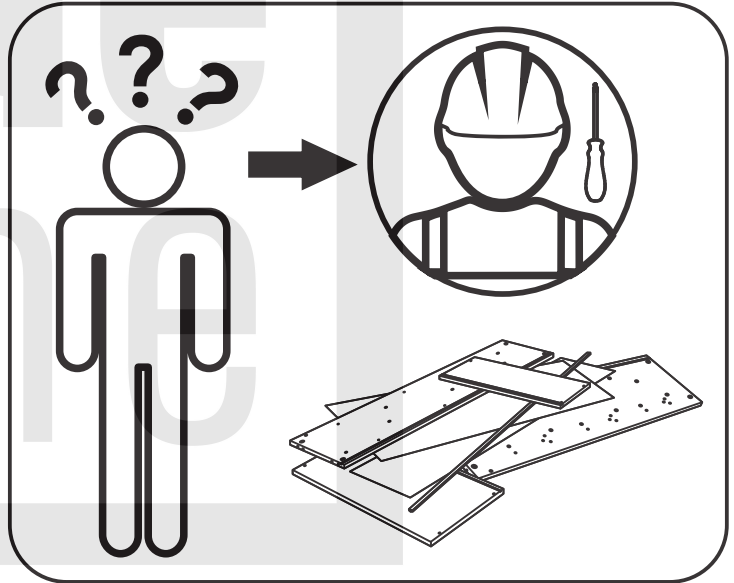
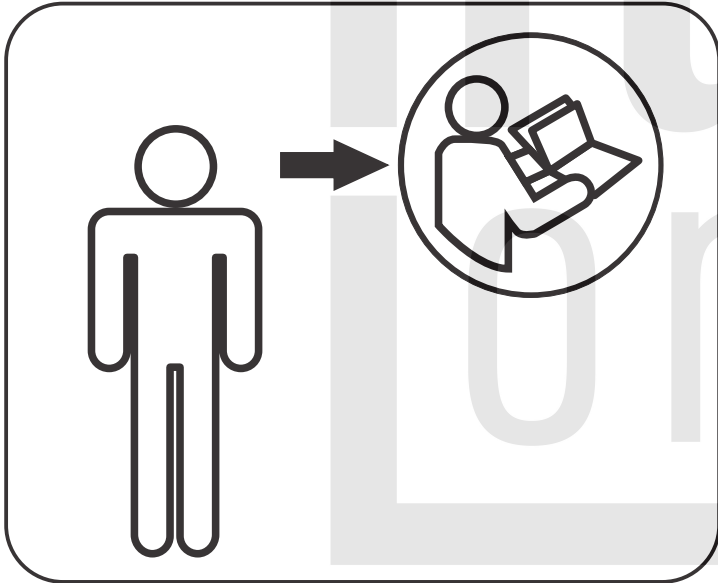
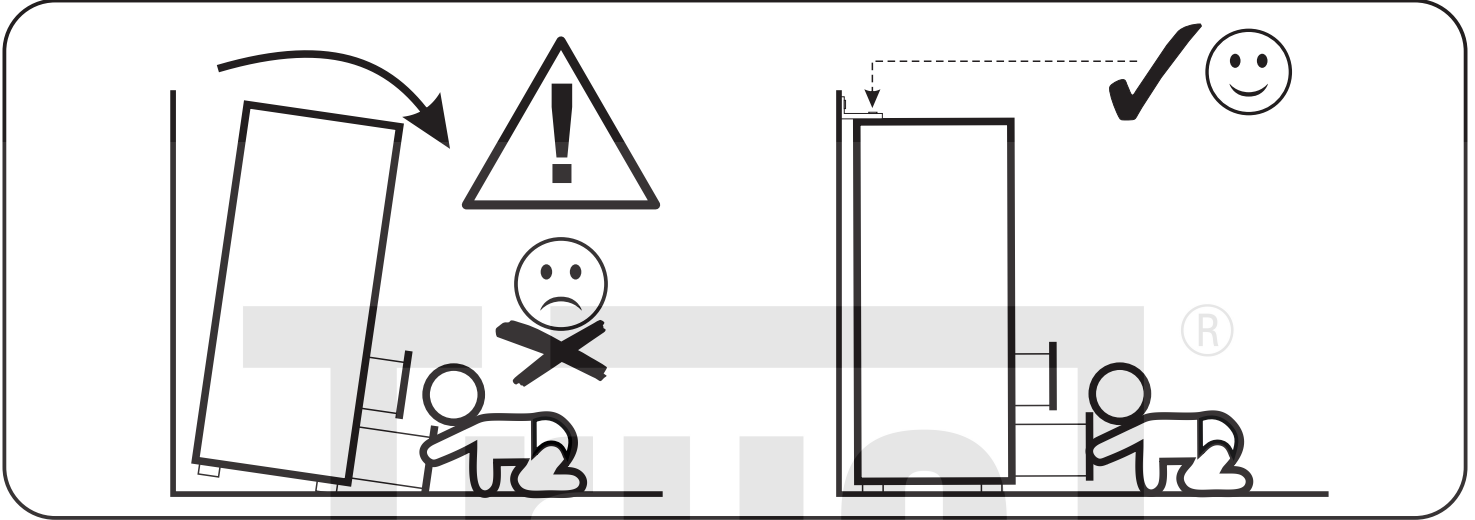
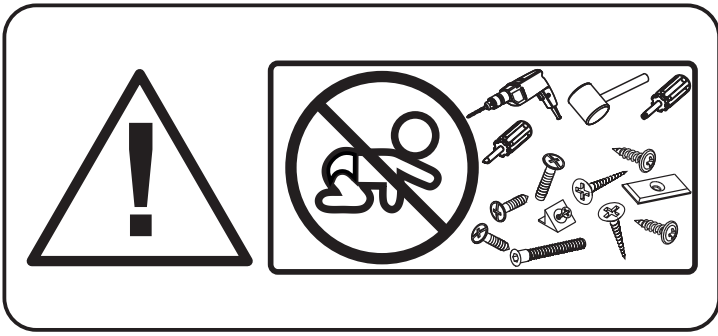
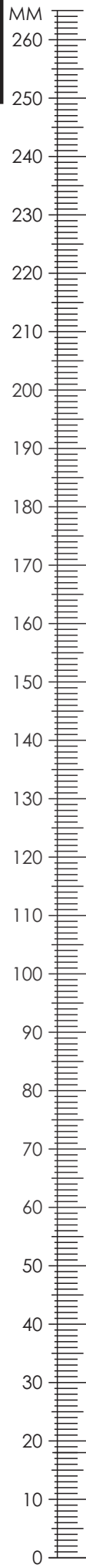



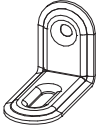
SANTA FE 89-180

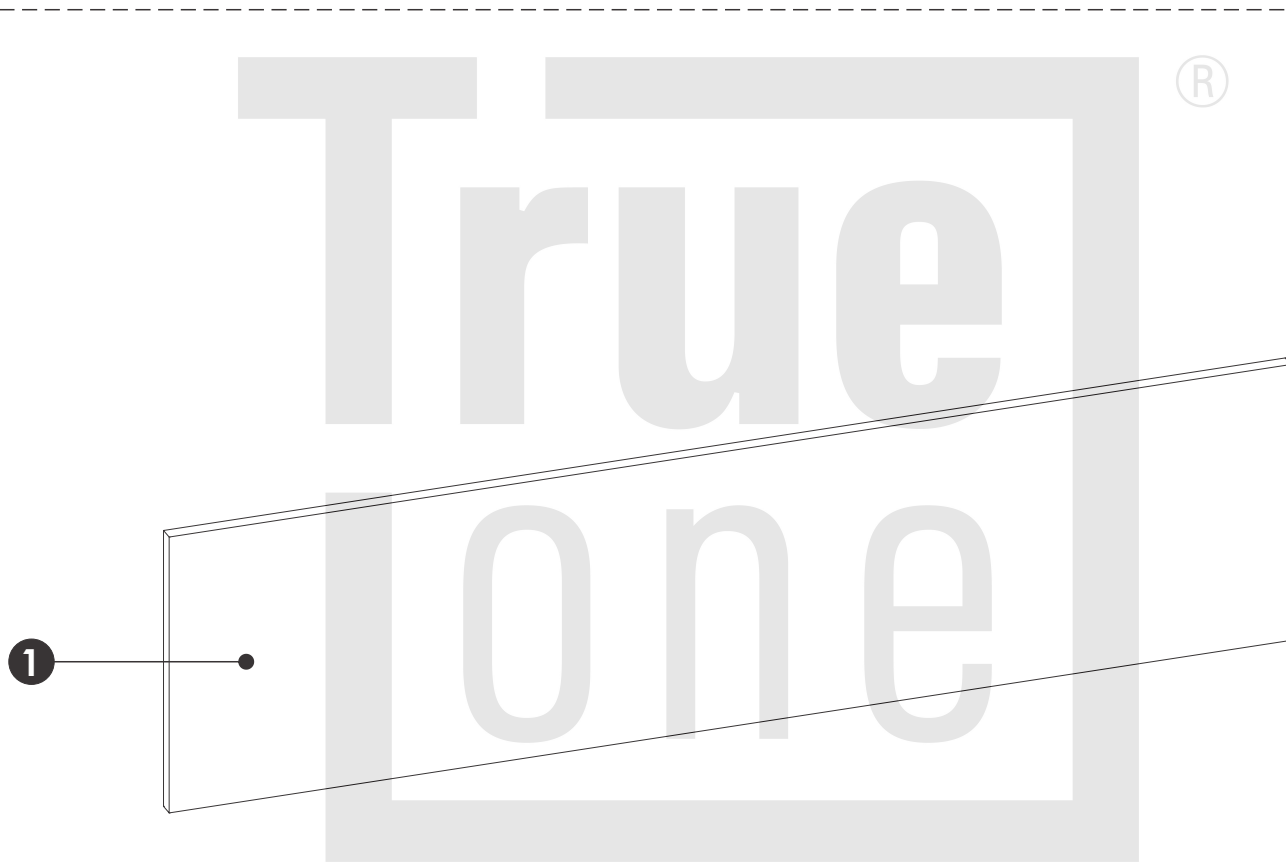




SANTA FE 89-180

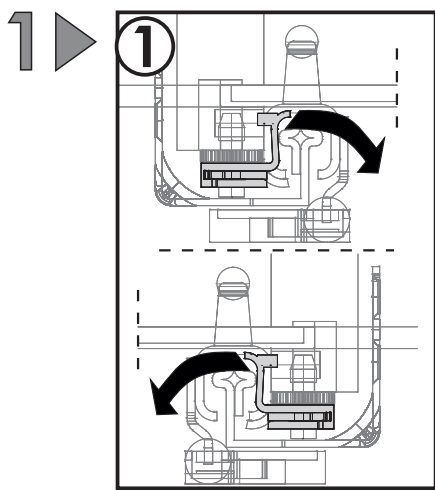


N5	3,5 x 16 mm	x36	Q8	x18
				

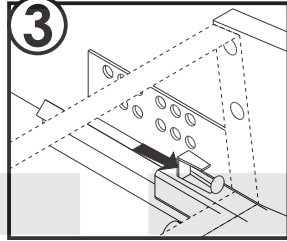
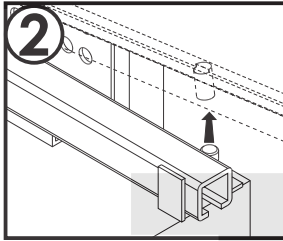
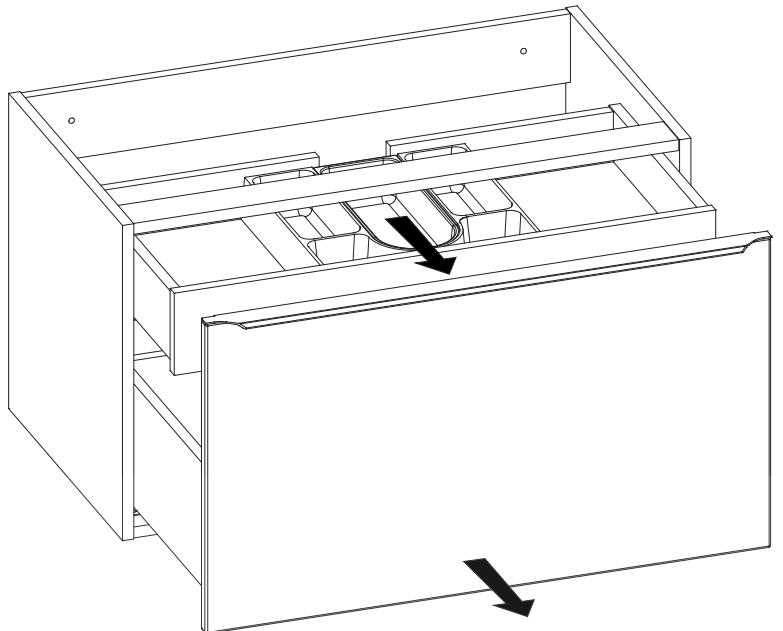


1	1804	460	25	x1	1/1
----------	------	-----	----	----	-----

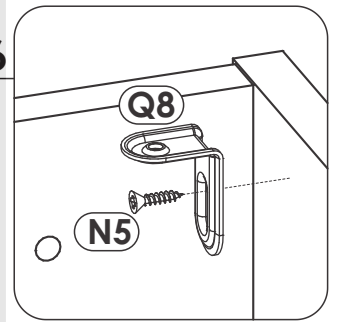
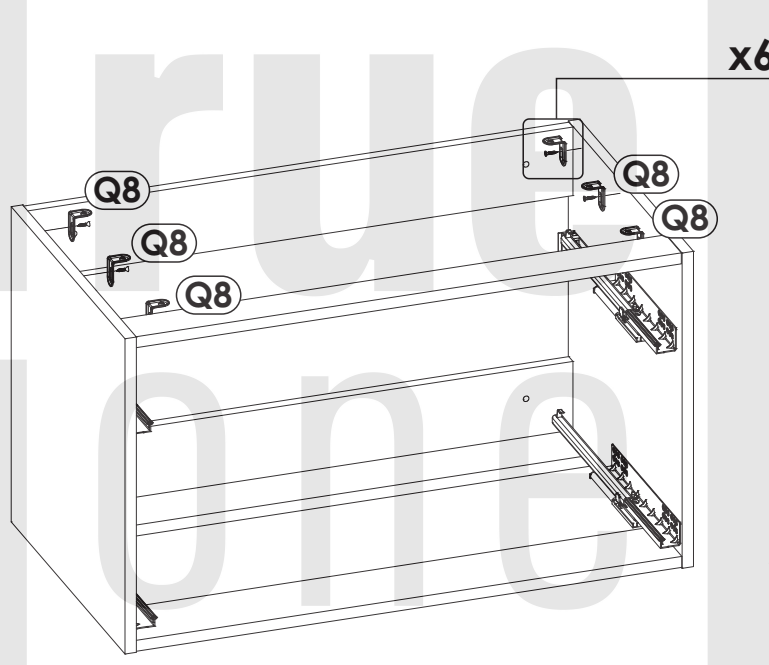
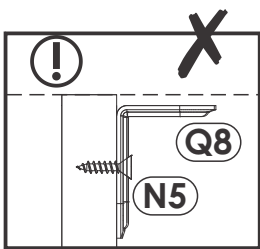
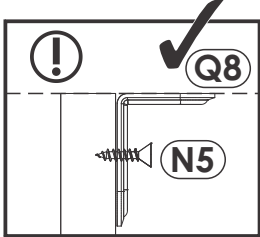




x2

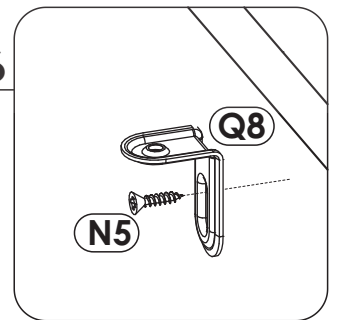
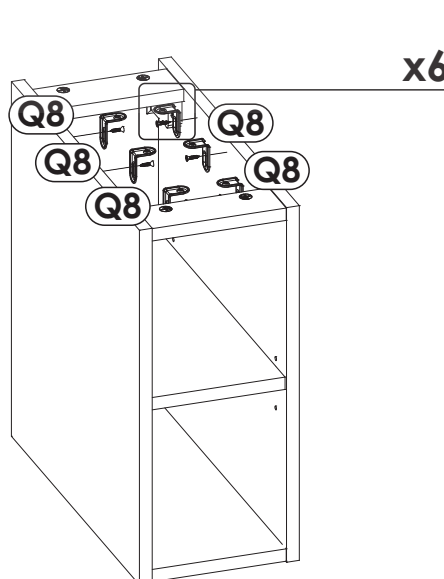
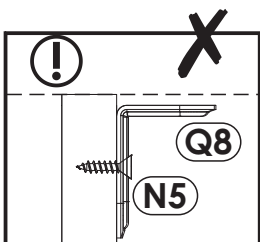
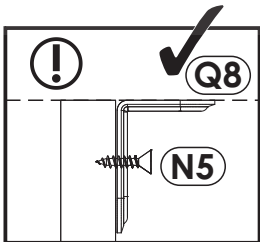


2 ▶

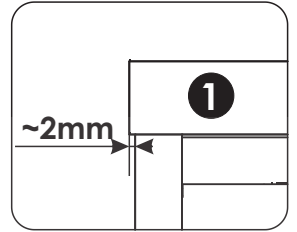
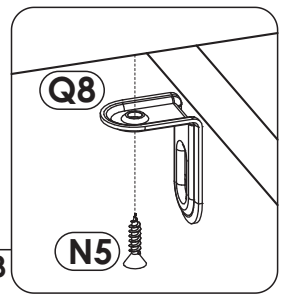
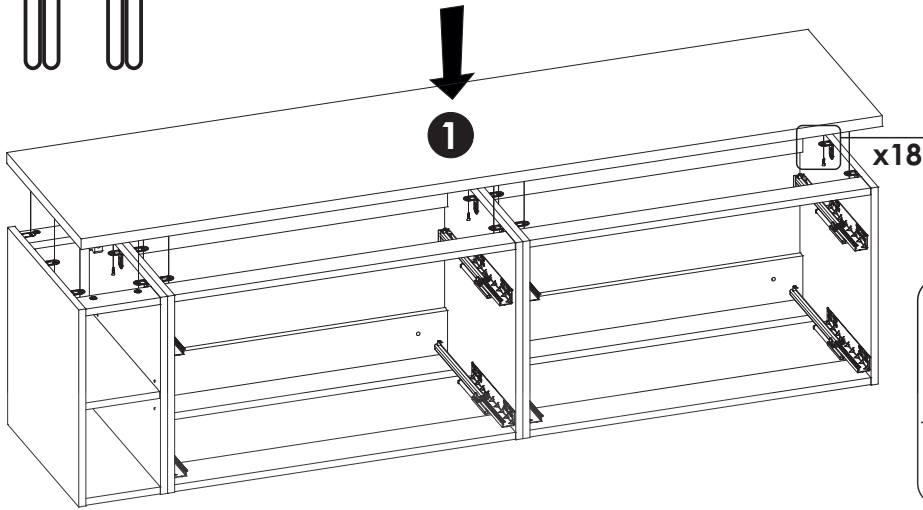
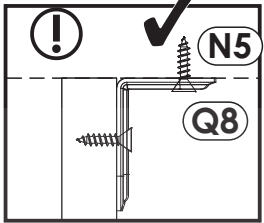
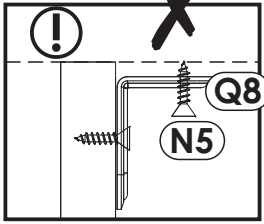
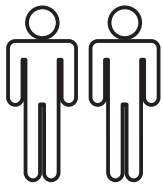


x2

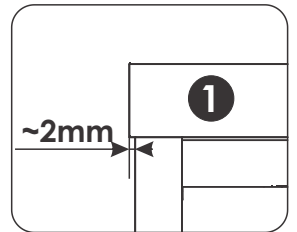
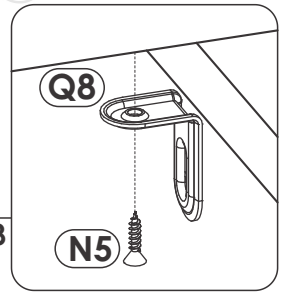
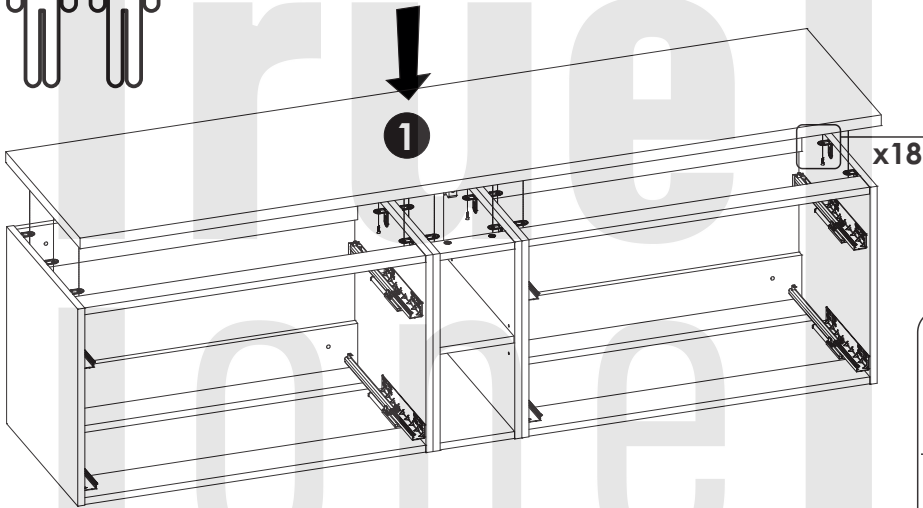
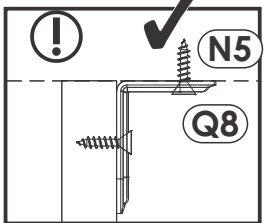
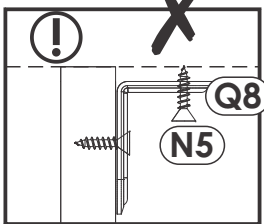
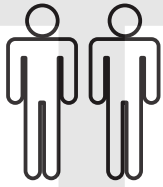
3 ▶



4 ▶ A.



B.



C.

