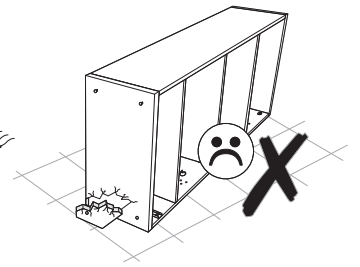
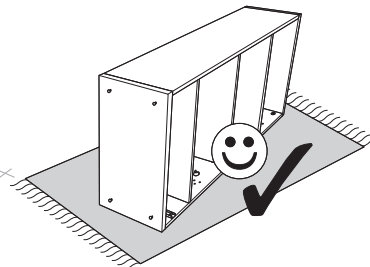
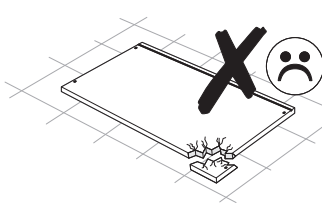
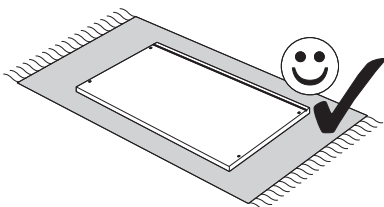
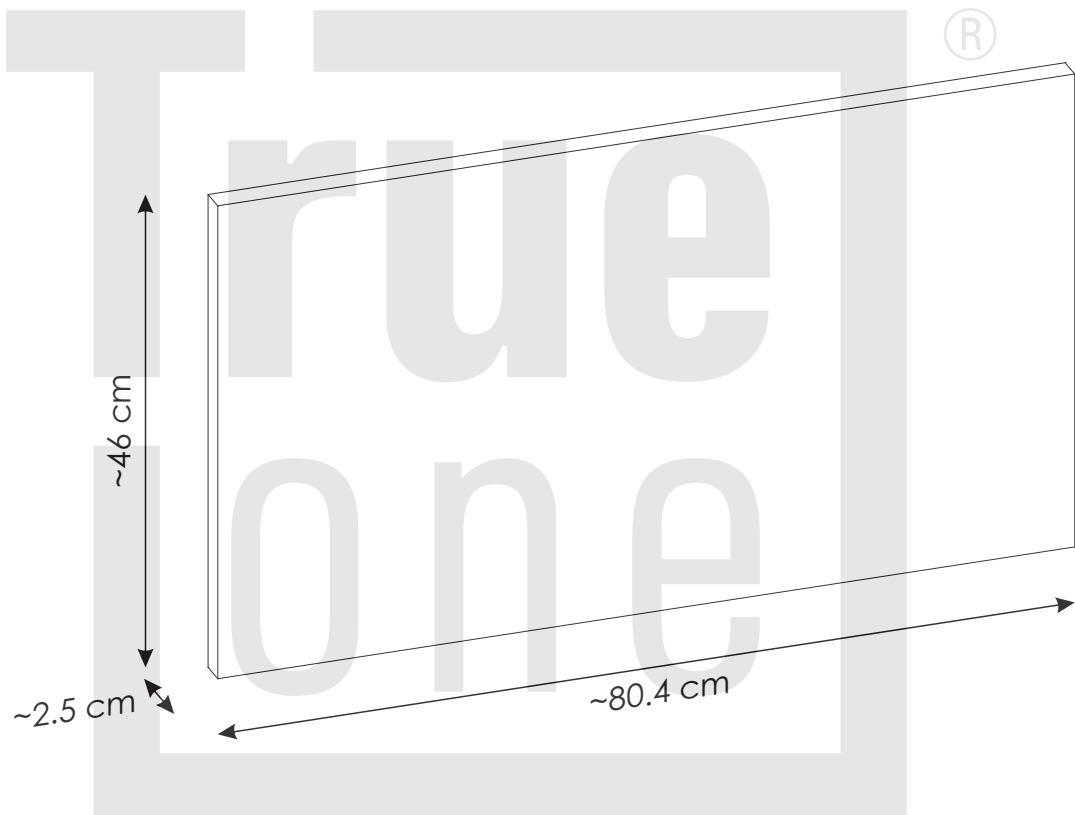
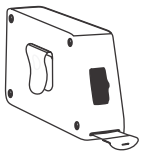
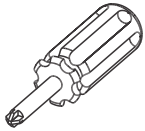
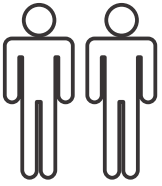
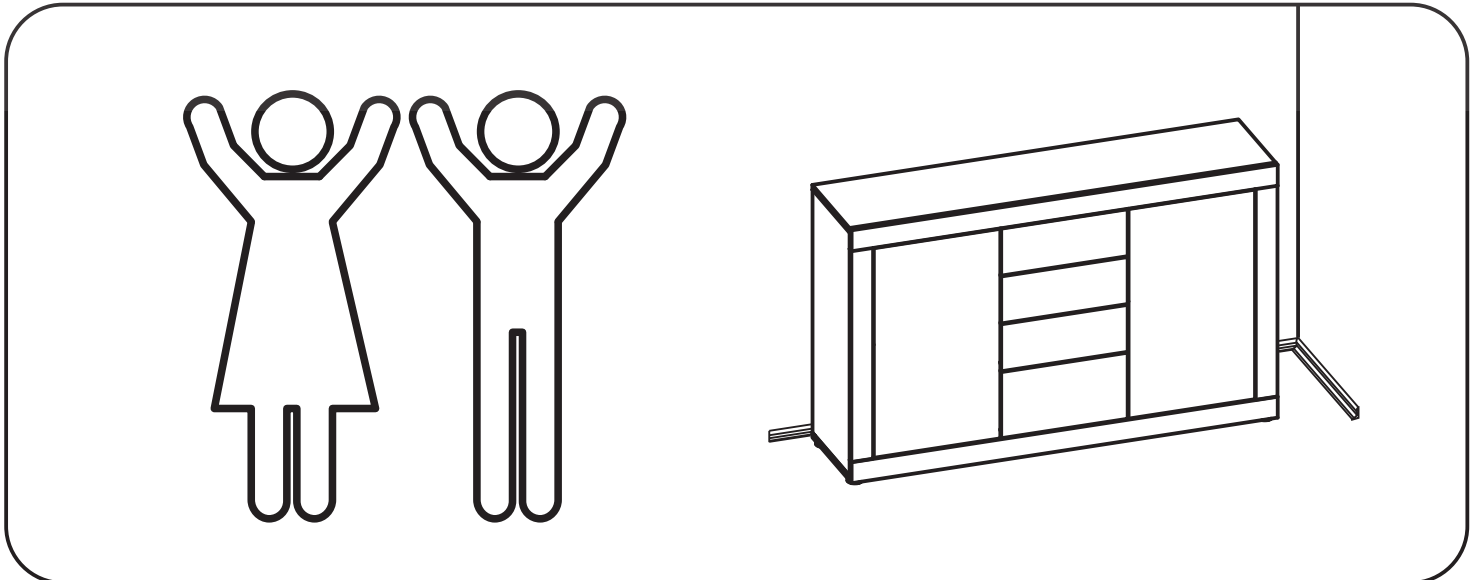
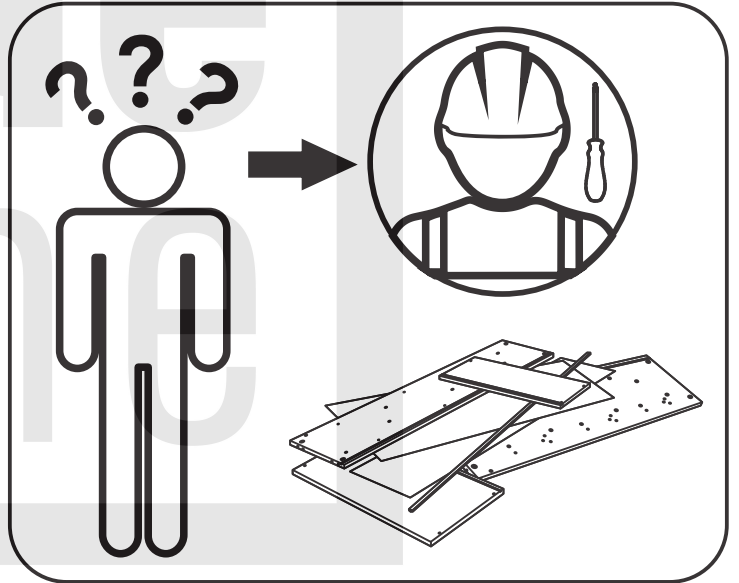
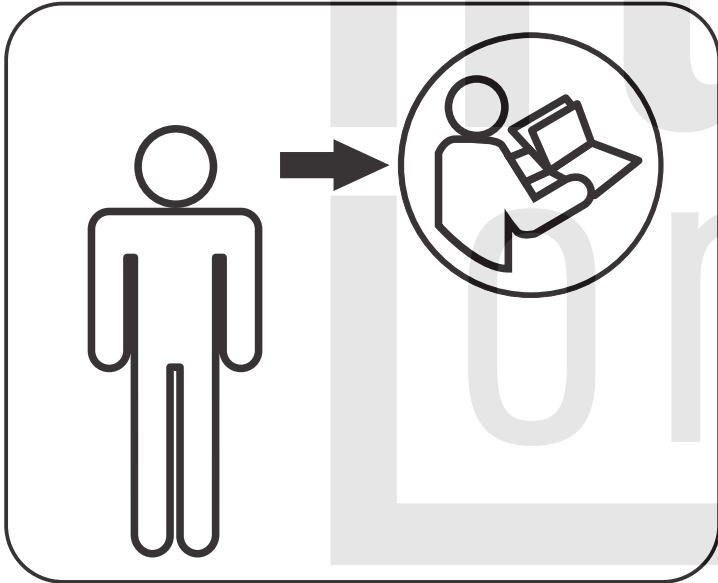
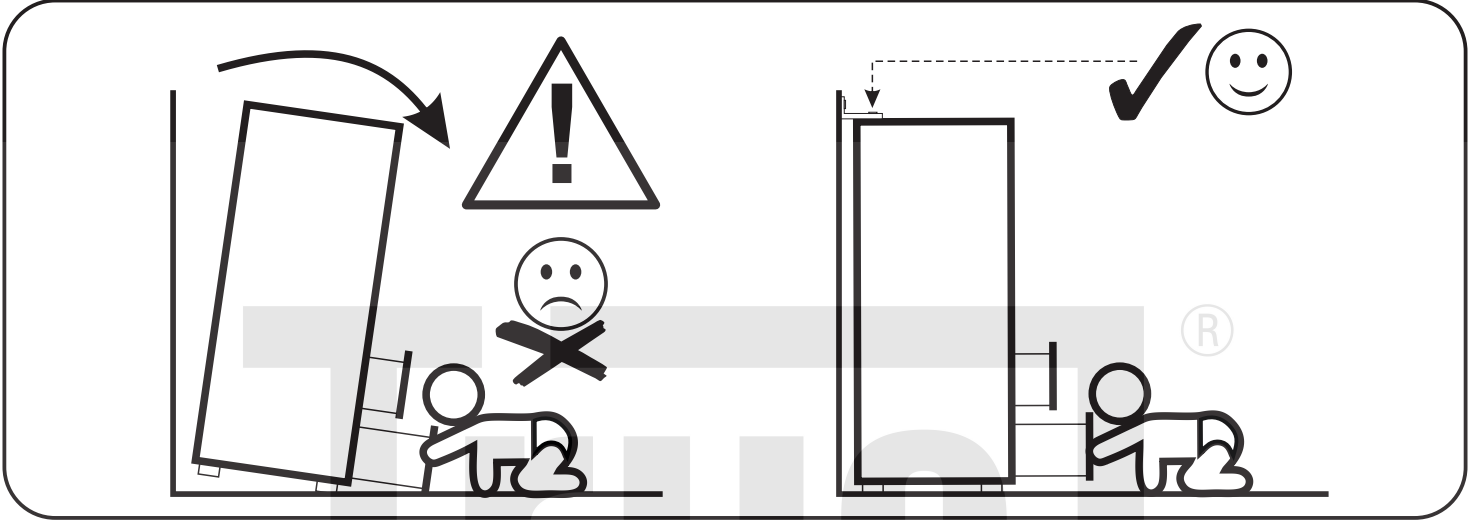
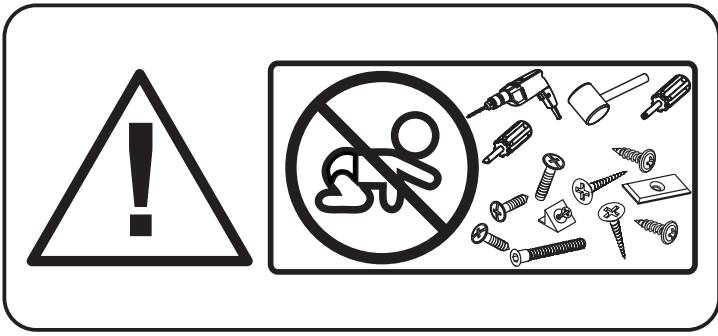
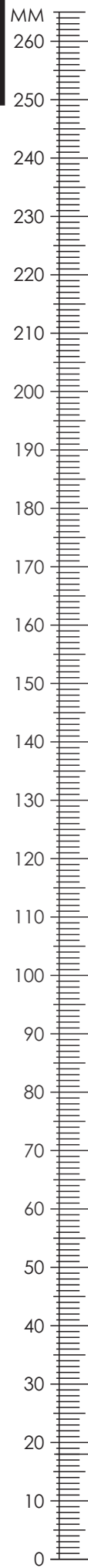



SANTA FE 89-80

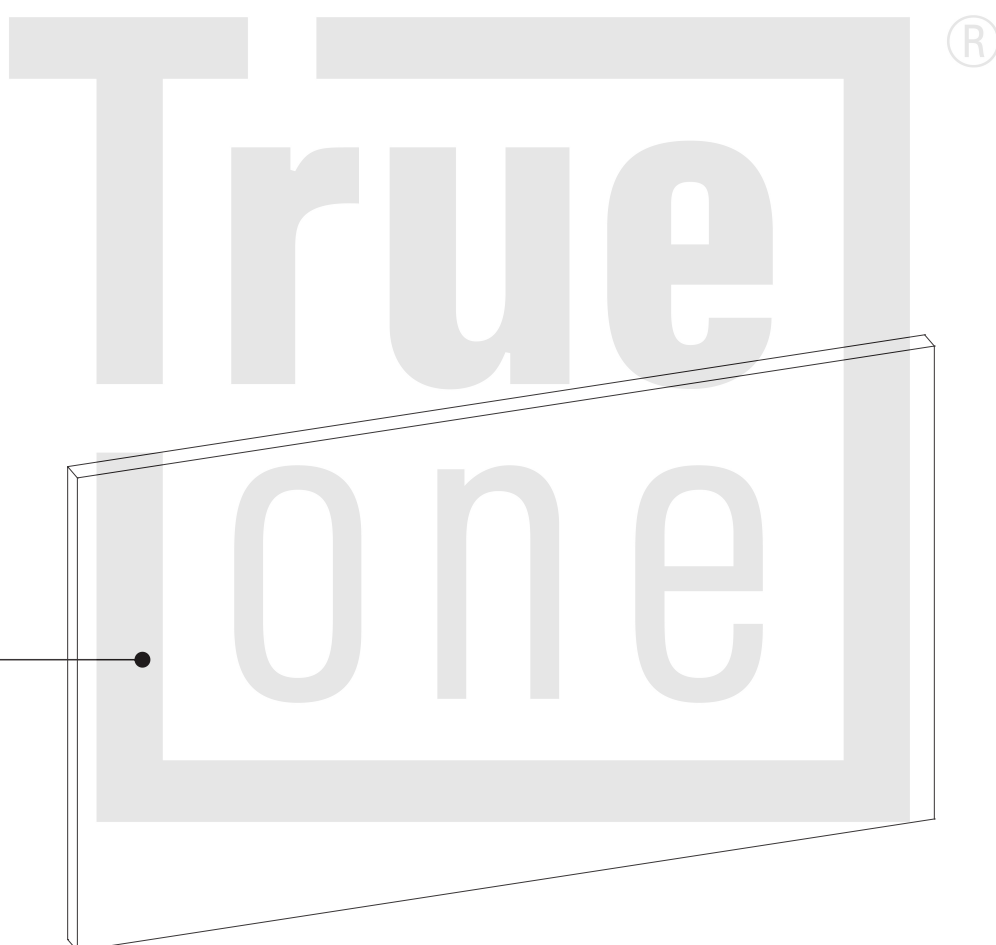




SANTA FE 89-80



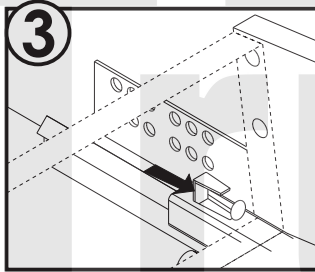
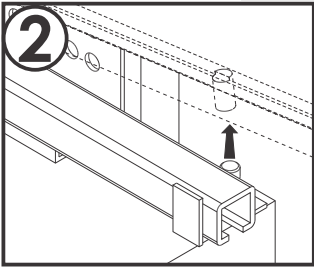
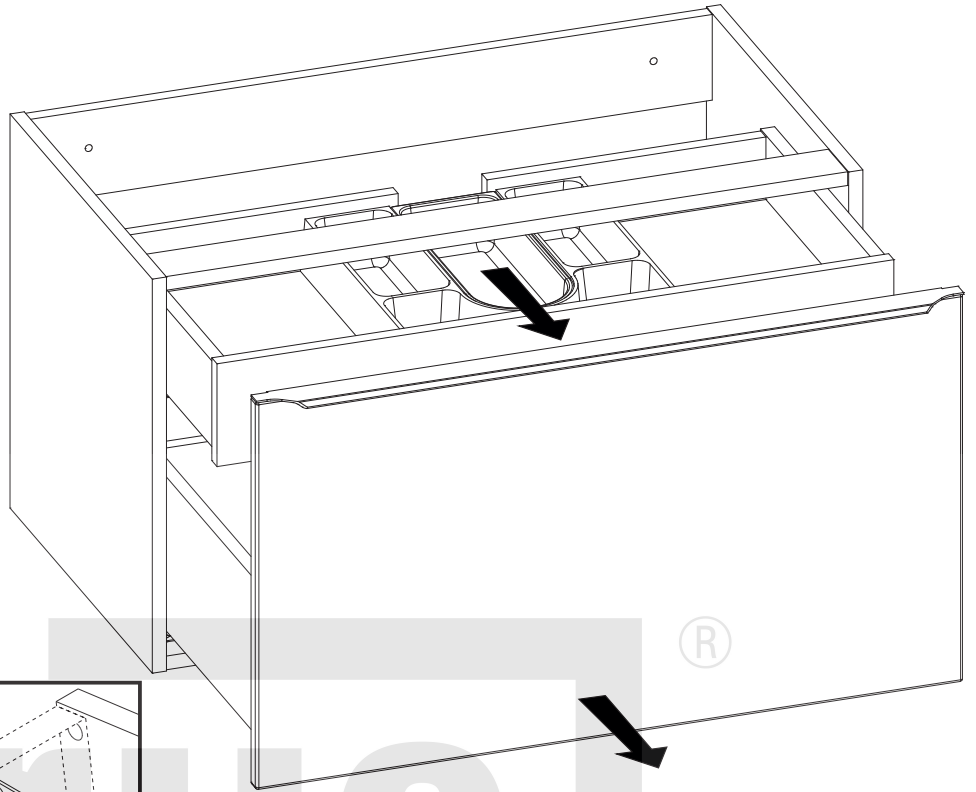
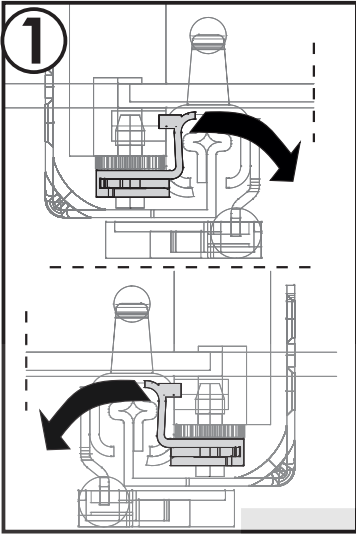
N5	3,5 x 16 mm	x12	Q8		x6
-----------	-------------	-----	-----------	---	----



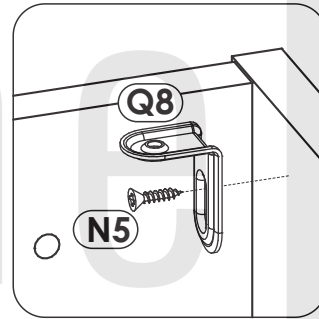
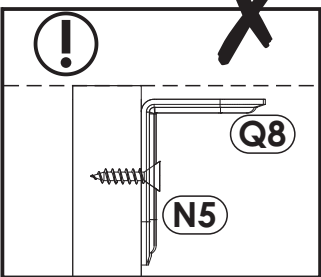
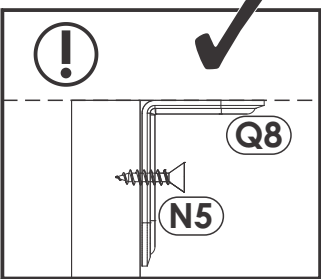
1	804	460	25	x1	1/1
----------	-----	-----	----	----	-----



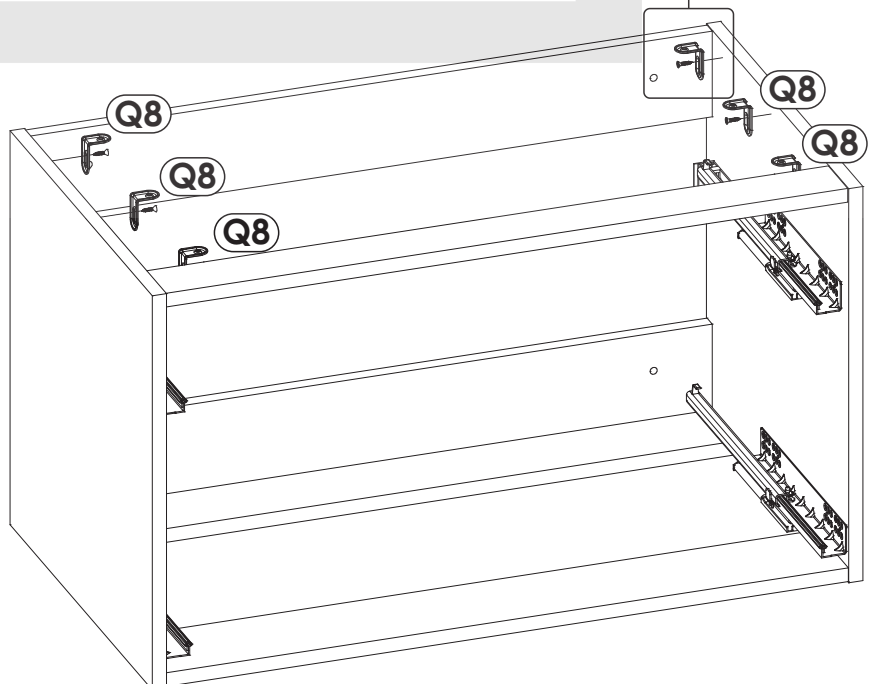
1 ▶

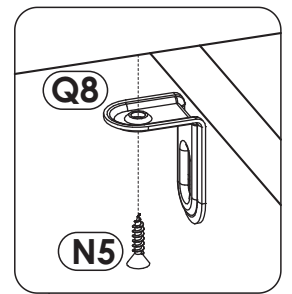
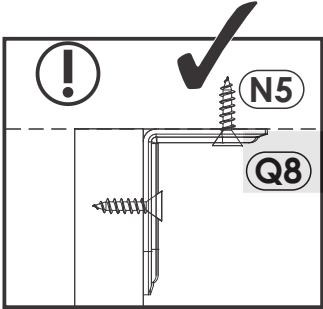
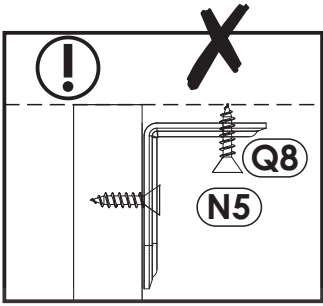
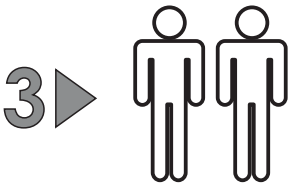


2 ▶



x6





x6

