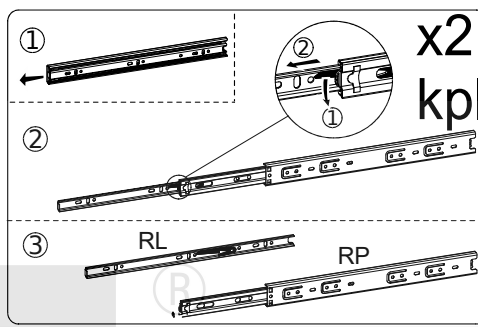
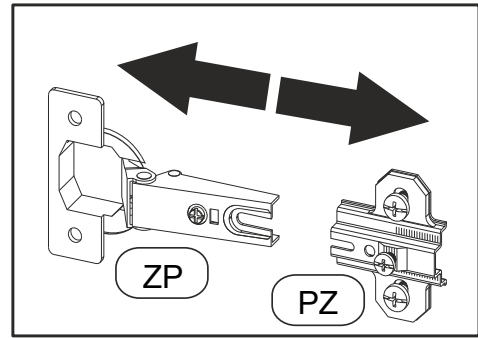
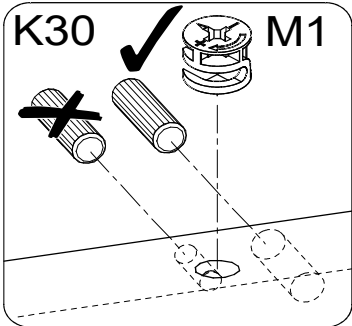
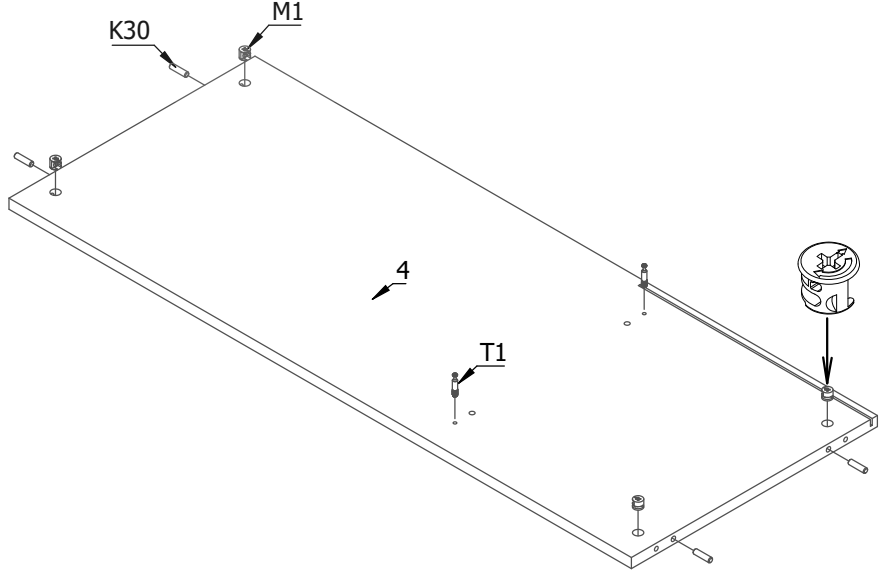
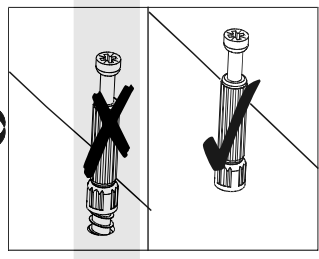
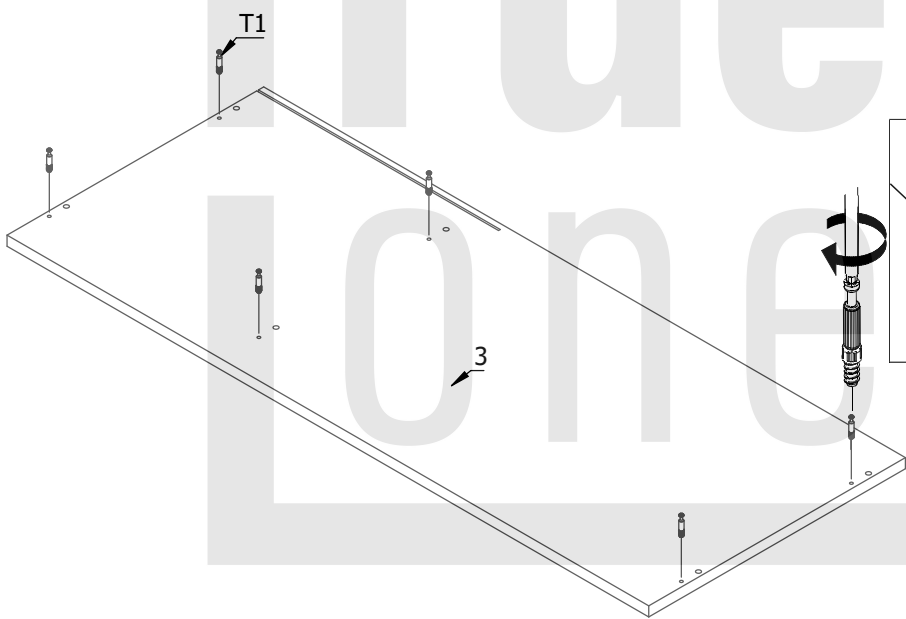
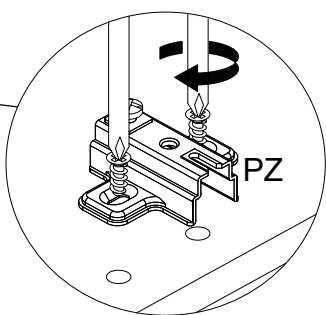
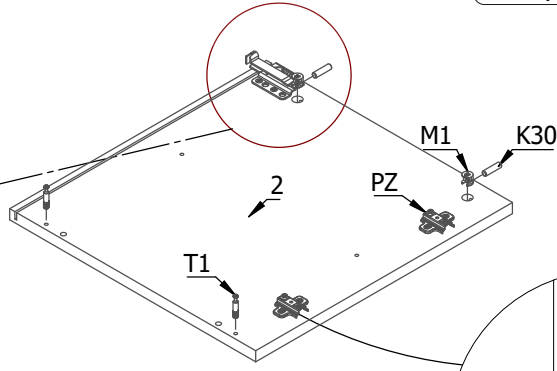
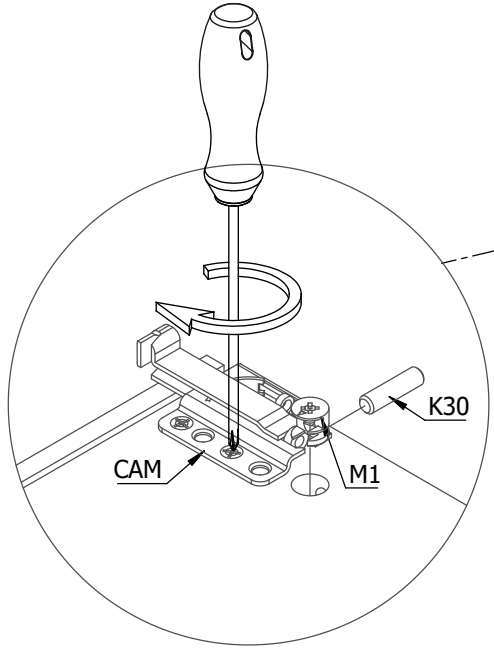
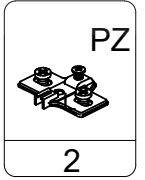
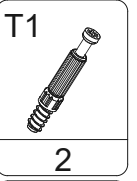
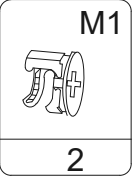
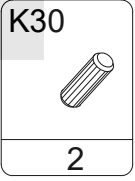
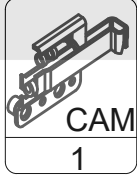
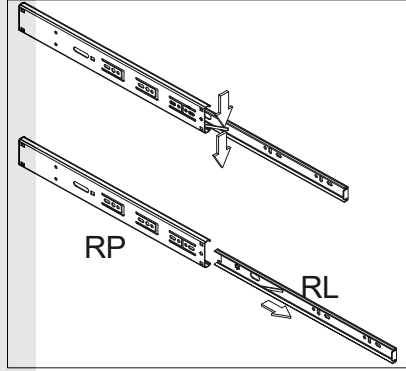
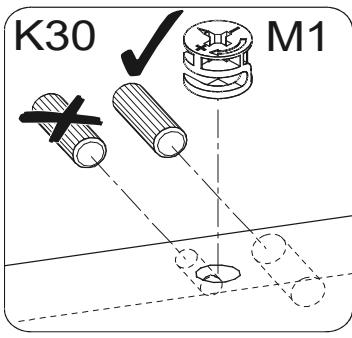
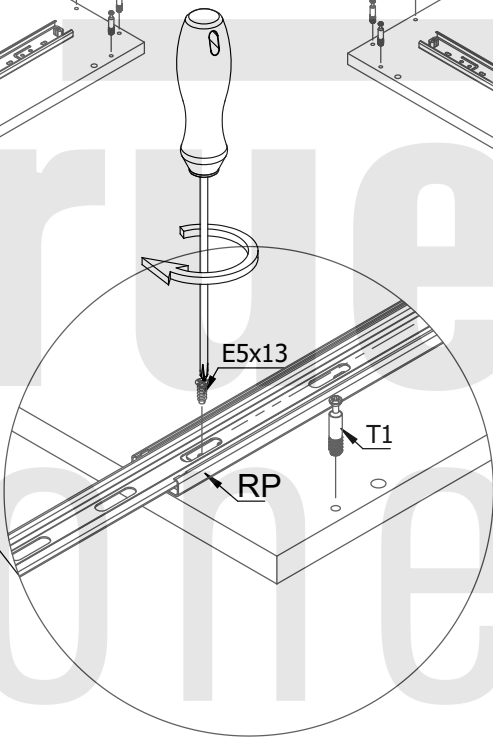
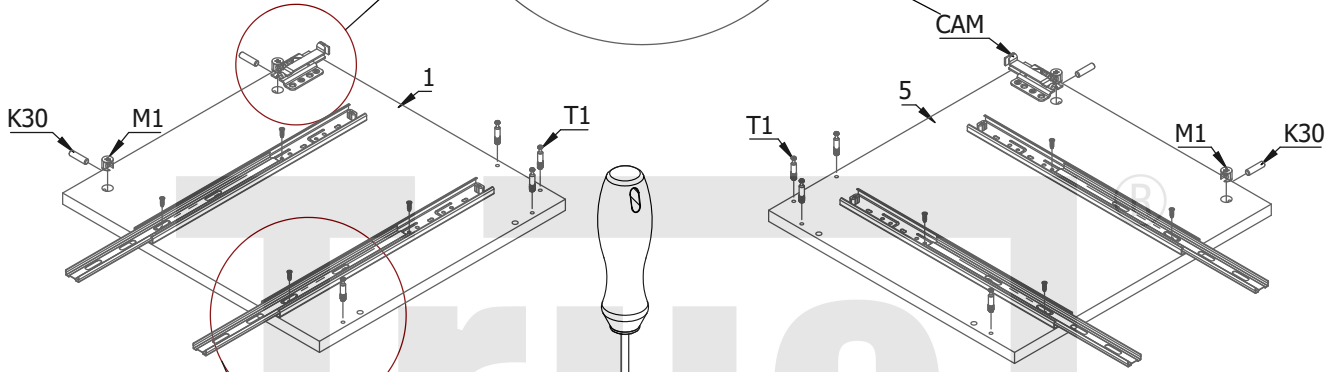
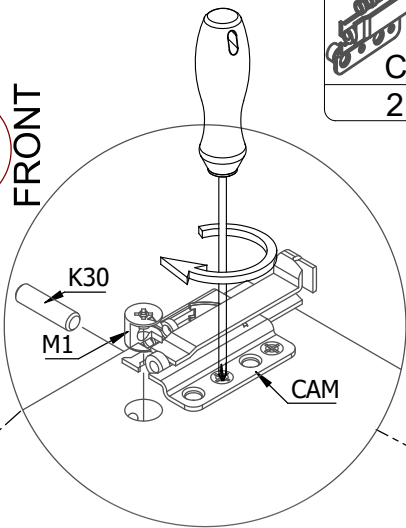
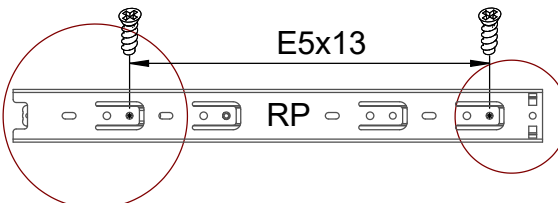
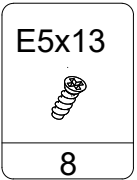
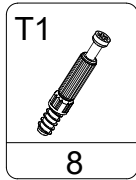
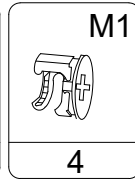
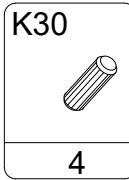
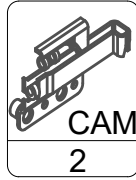











10x80 KR 6	KF50 6	Q 1	x 28	E5x13 16	UM L-304 2
K30 30	T1 28	M1 28	CAM 3	ZA 3	W3x13 2
W4x16 4	ZP 2	PZ 2	PP 4	UM L-220 1	W3,5x16 6

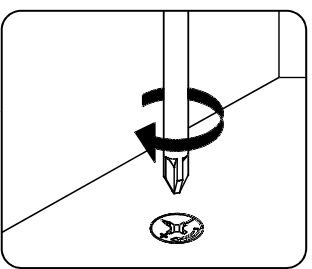
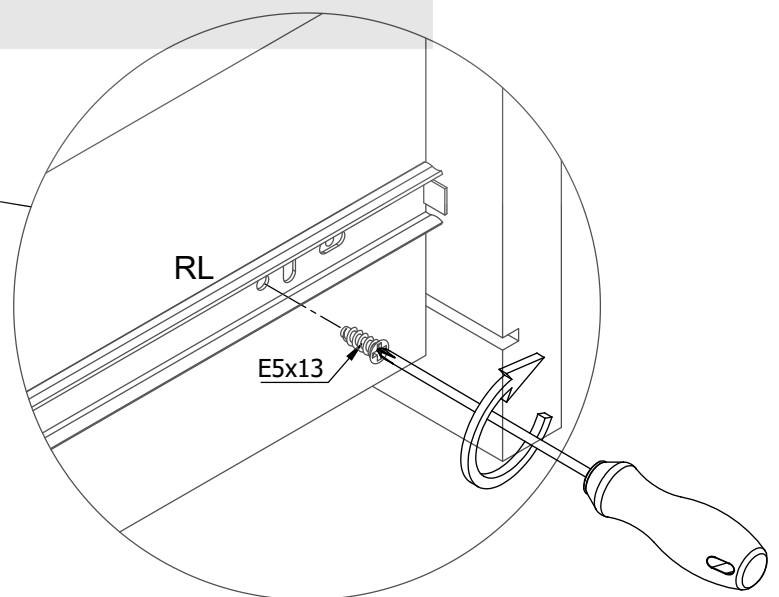
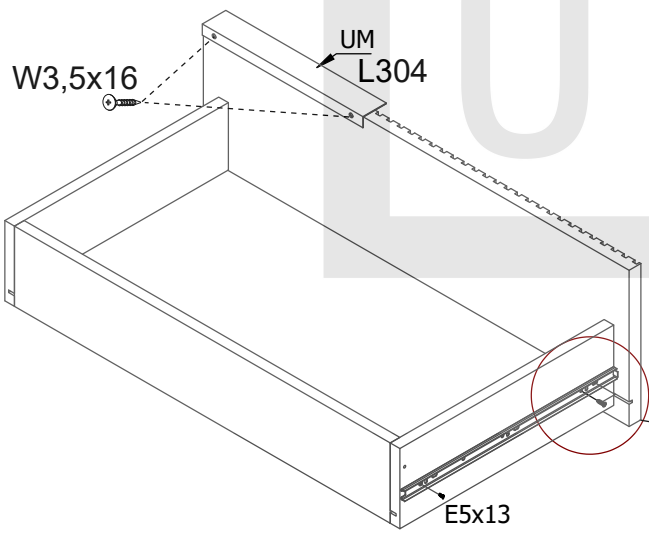
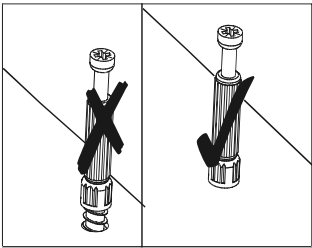
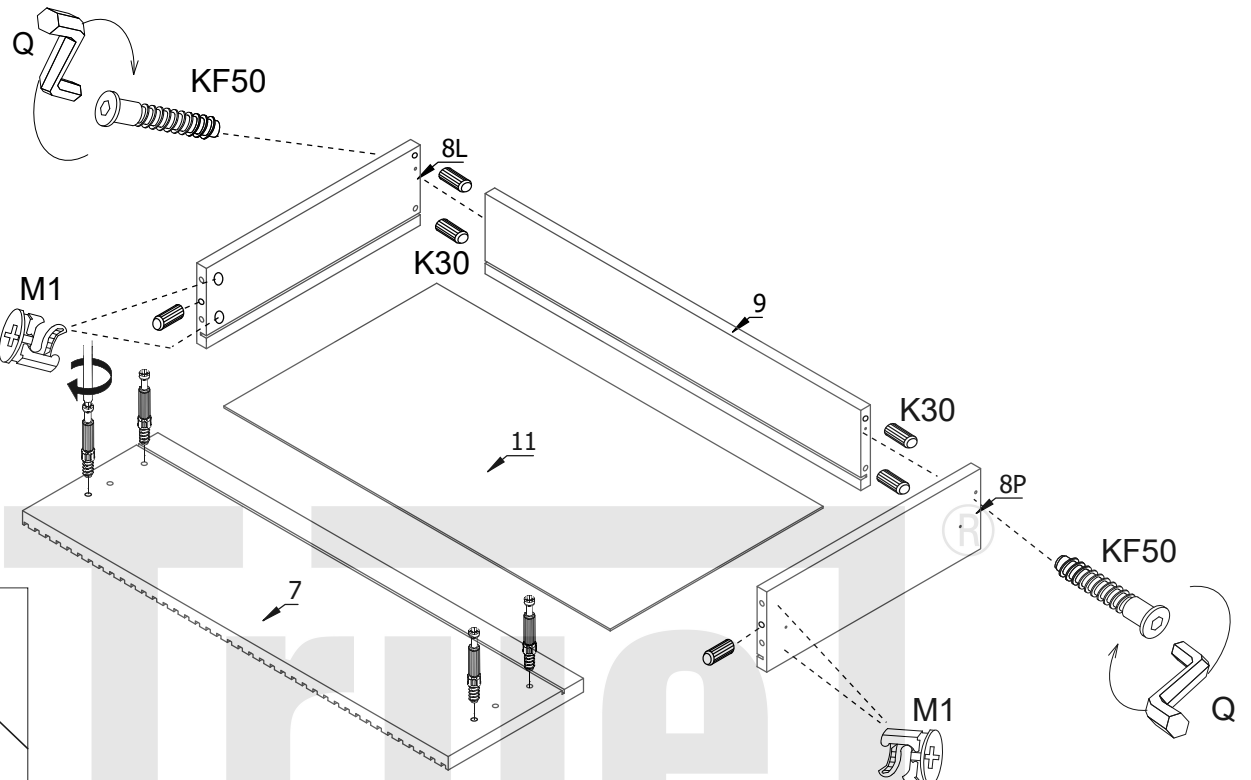












K30 4	M1 4	T1 8
----------	---------	---------

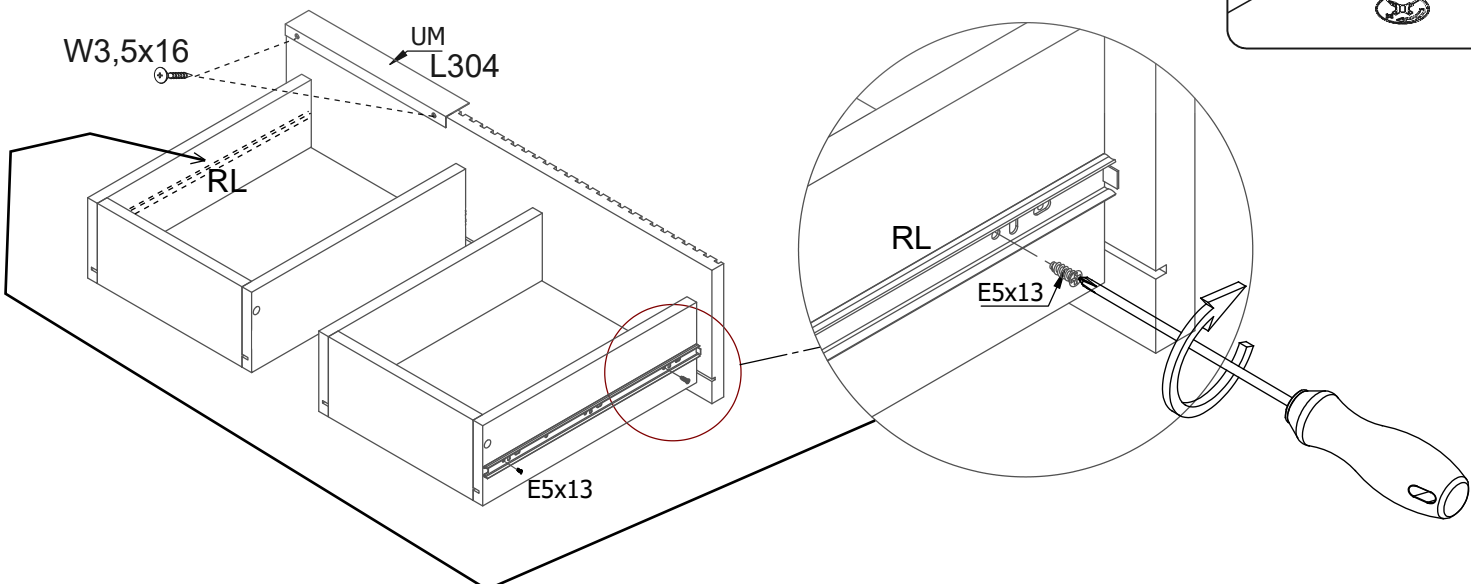
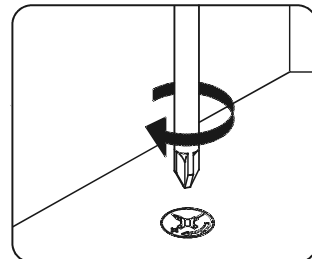
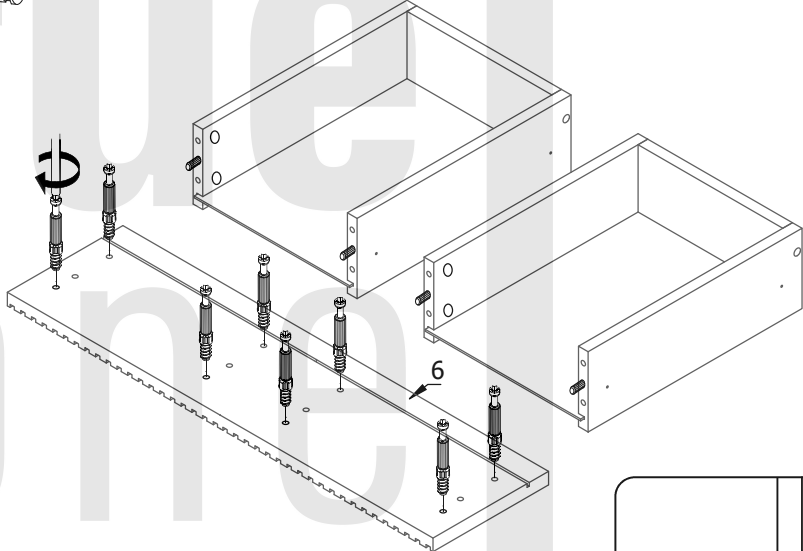
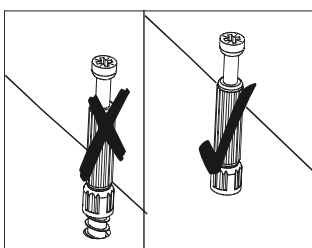
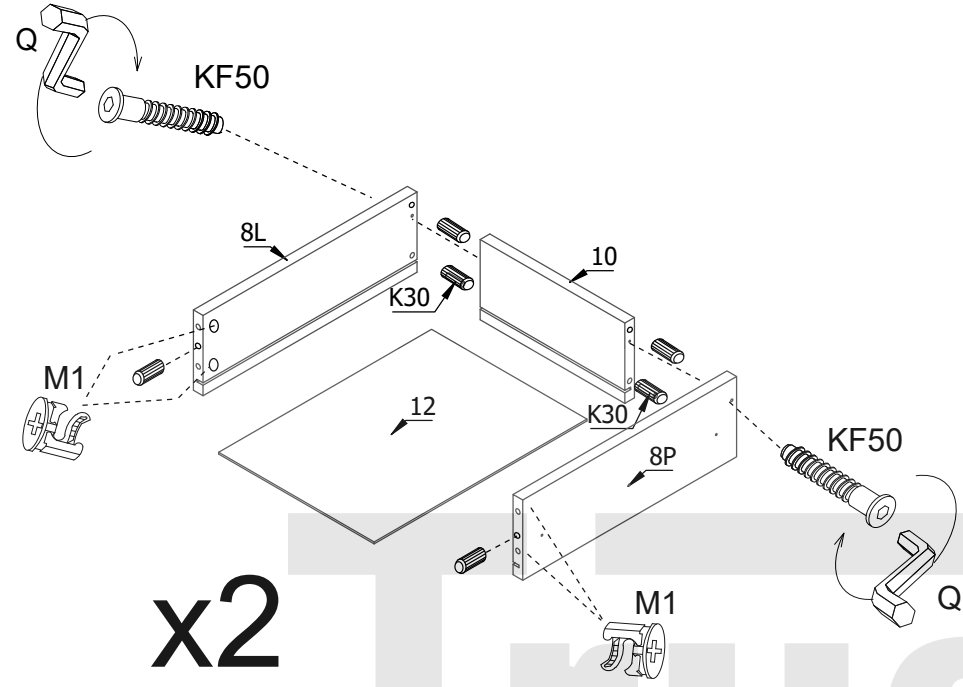


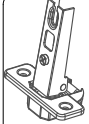



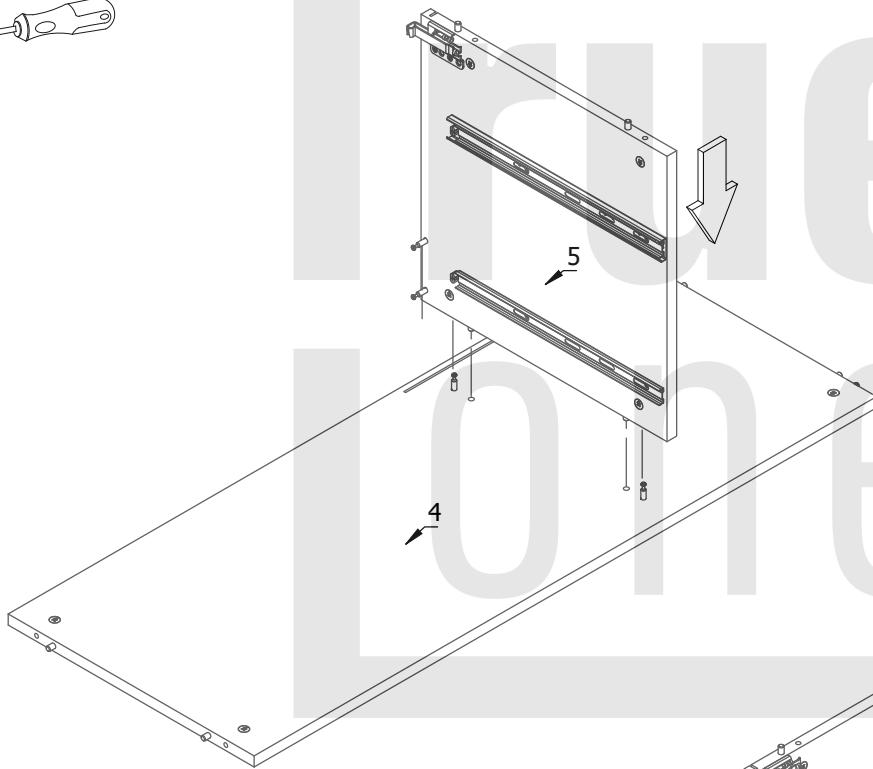
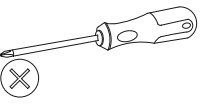
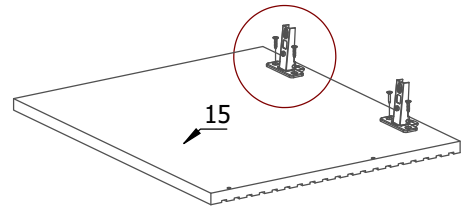
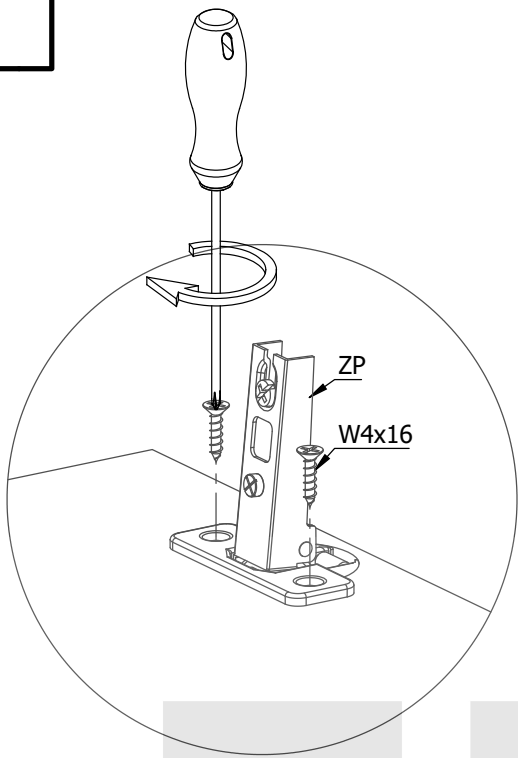
K30  6	M1  4	T1  4	E5x13  4	RL  2	Q  1	KF50  2	UM  1	W3,5x16  2
-----------------------------------------------------------------------------------------------------	----------------------------------------------------------------------------------------------------	----------------------------------------------------------------------------------------------------	-------------------------------------------------------------------------------------------------------	-----------------------------------------------------------------------------------------------------	-----------------------------------------------------------------------------------------------------	--------------------------------------------------------------------------------------------------------	------------------------------------------------------------------------------------------------------	-----------------------------------------------------------------------------------------------------------

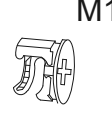


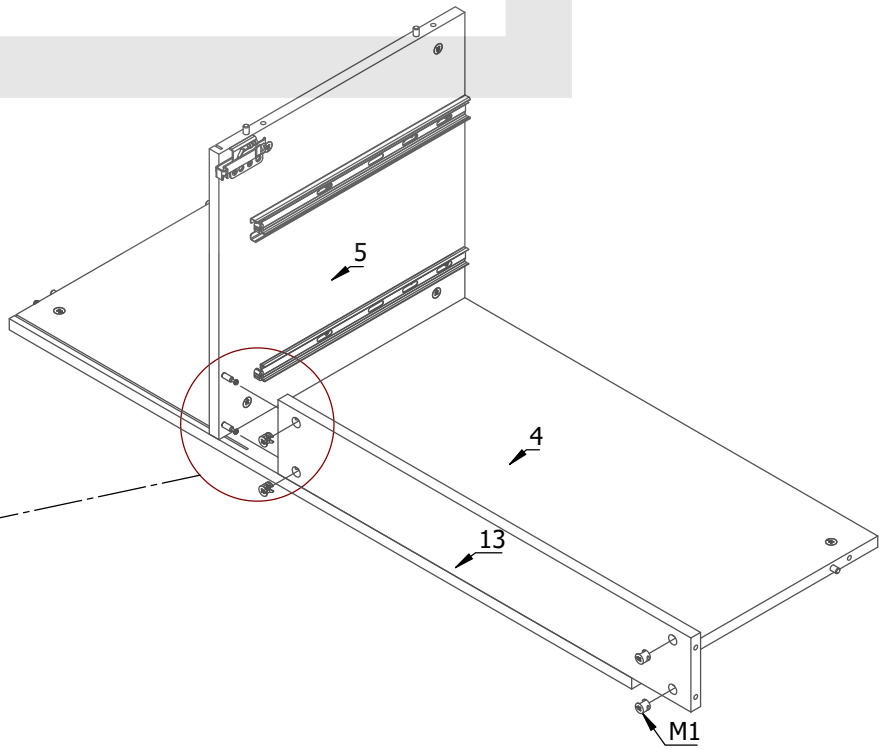
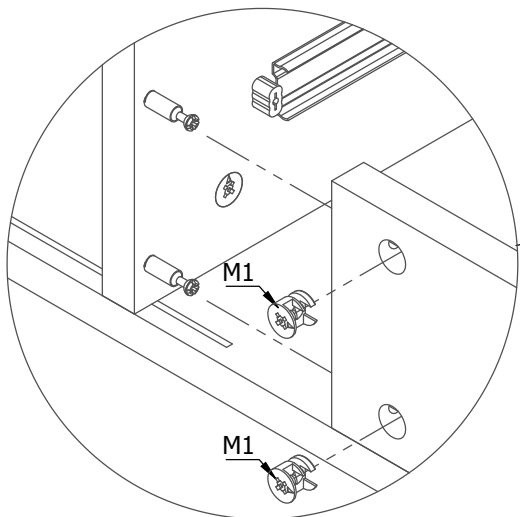
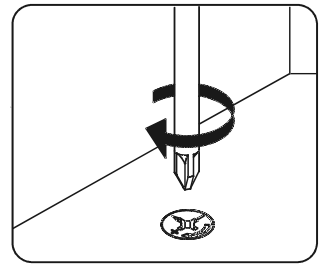
K30  12	M1  8	T1  8	E5x13  4	RL  2	Q  1	KF50  4	UM  1	L304  1	W3,5x16  2
-----------------------------------------------------------------------------------------------	---------------------------------------------------------------------------------------------	---------------------------------------------------------------------------------------------	------------------------------------------------------------------------------------------------	---------------------------------------------------------------------------------------------	----------------------------------------------------------------------------------------------	-------------------------------------------------------------------------------------------------	-----------------------------------------------------------------------------------------------	-------------------------------------------------------------------------------------------------	----------------------------------------------------------------------------------------------------

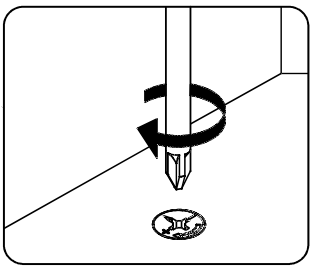
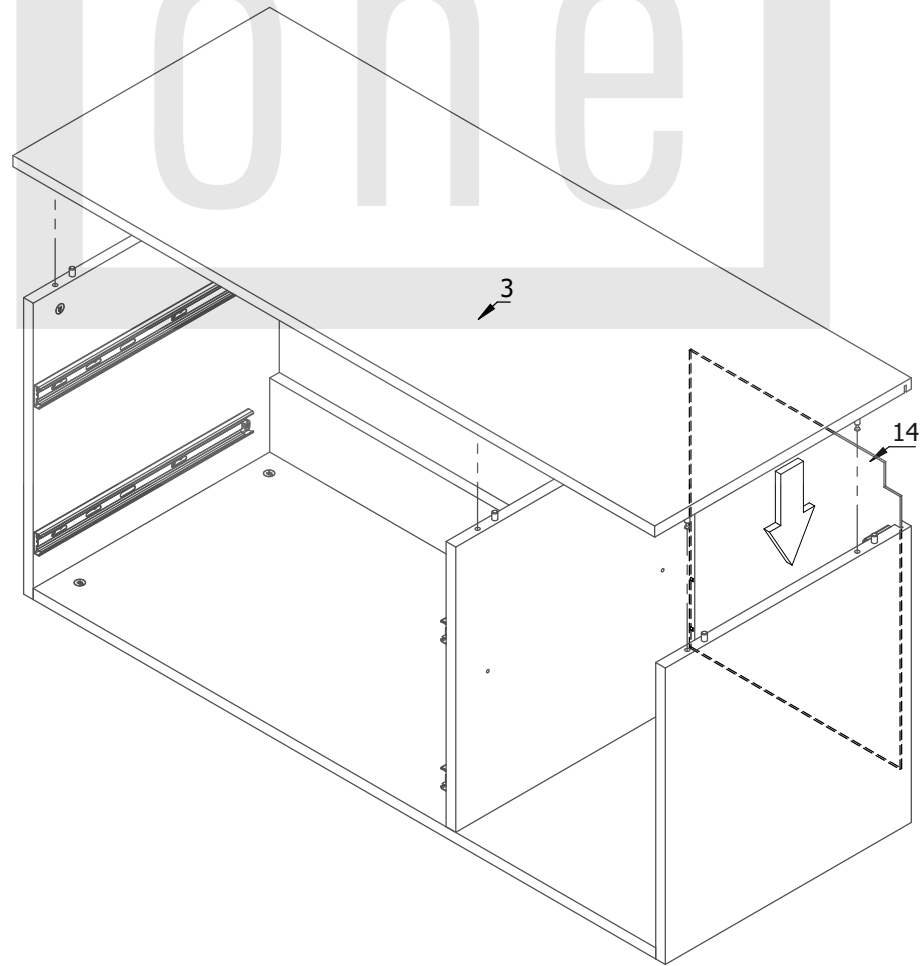
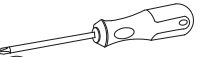
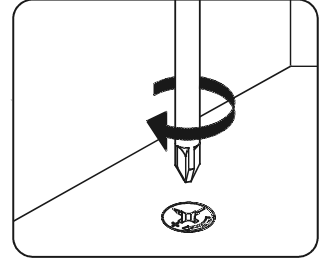
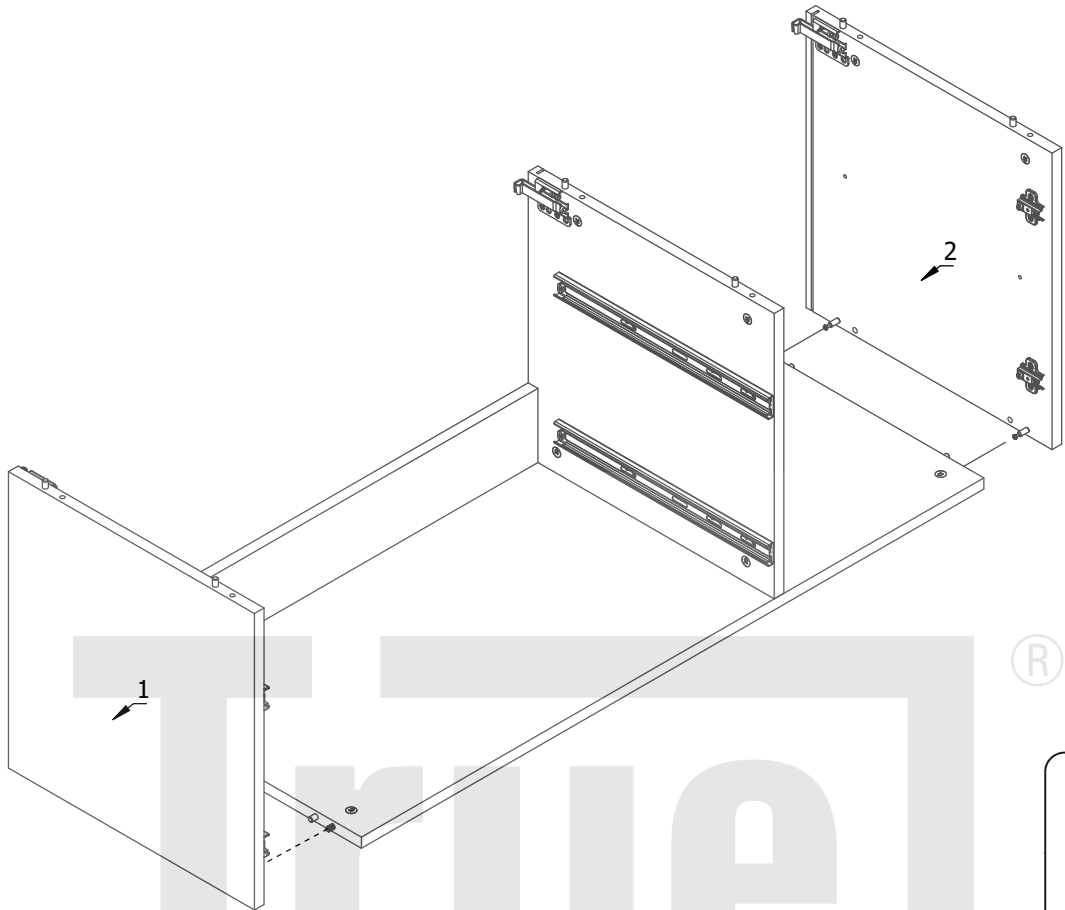
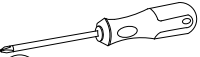



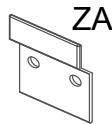
 ZP	 W4x16
2	4

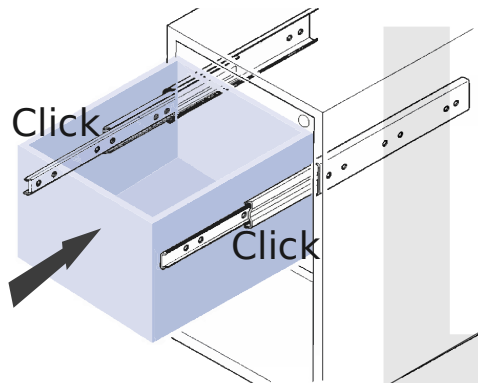
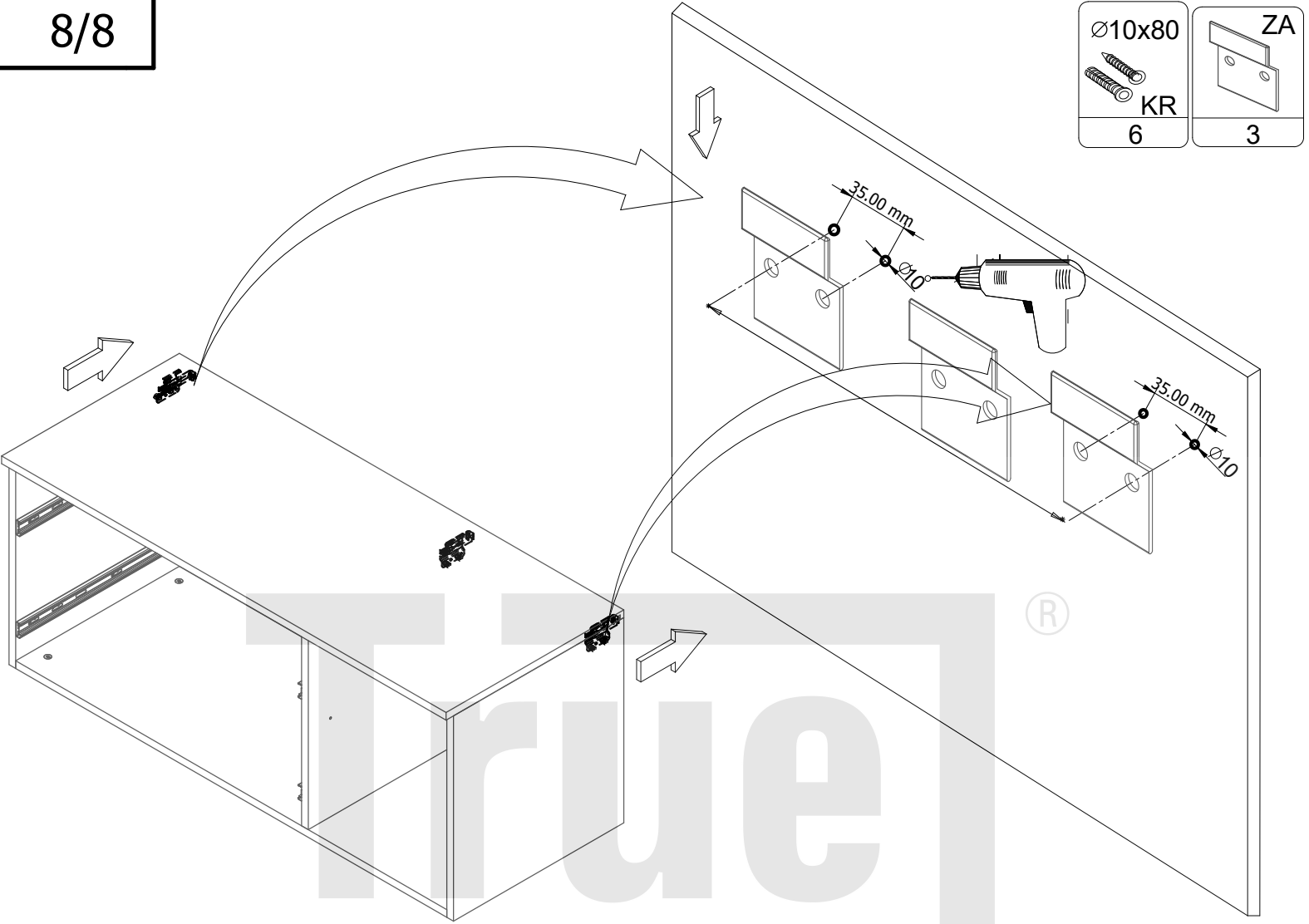



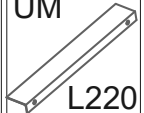

 M1
4





$\varnothing 10 \times 80$  KR 6	 ZA 3
-----------------------------------------------------------------------------------------------------------------------------	-----------------------------------------------------------------------------------------------



PP  4	UM  L220 1	W3,5x16  2
--------------------------------------------------------------------------------------------------	----------------------------------------------------------------------------------------------------------	-------------------------------------------------------------------------------------------------------

