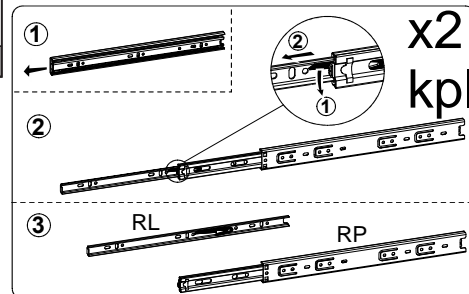



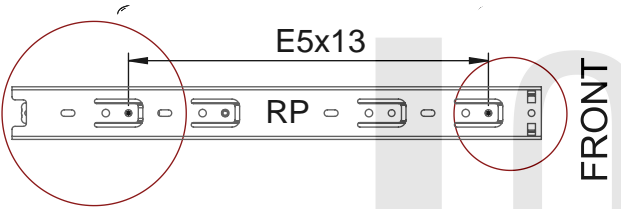
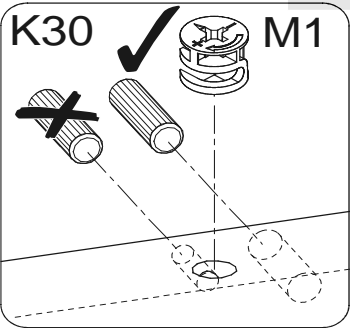
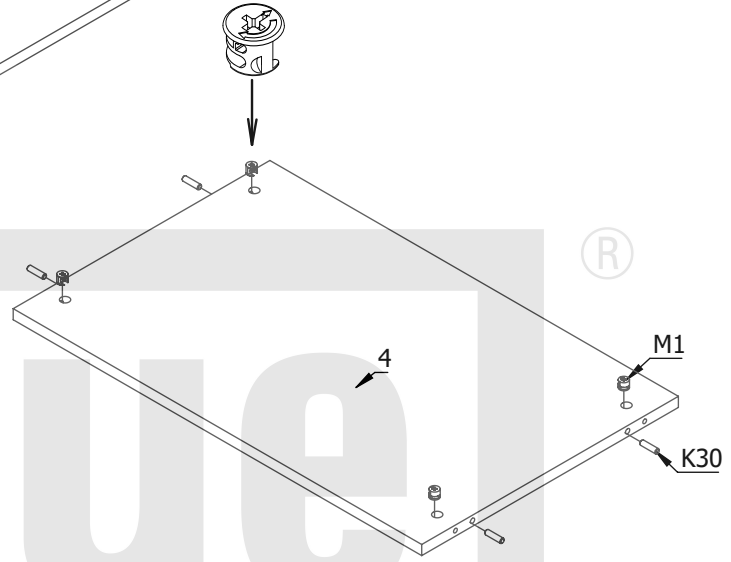
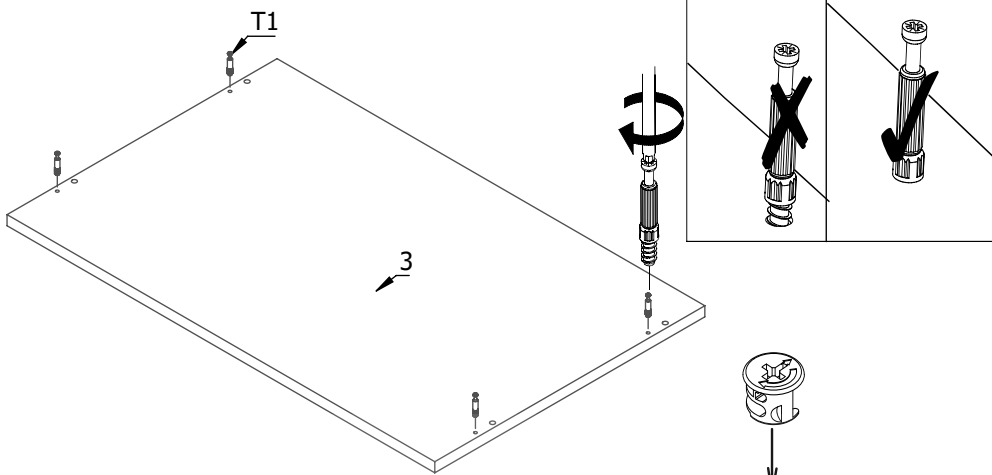







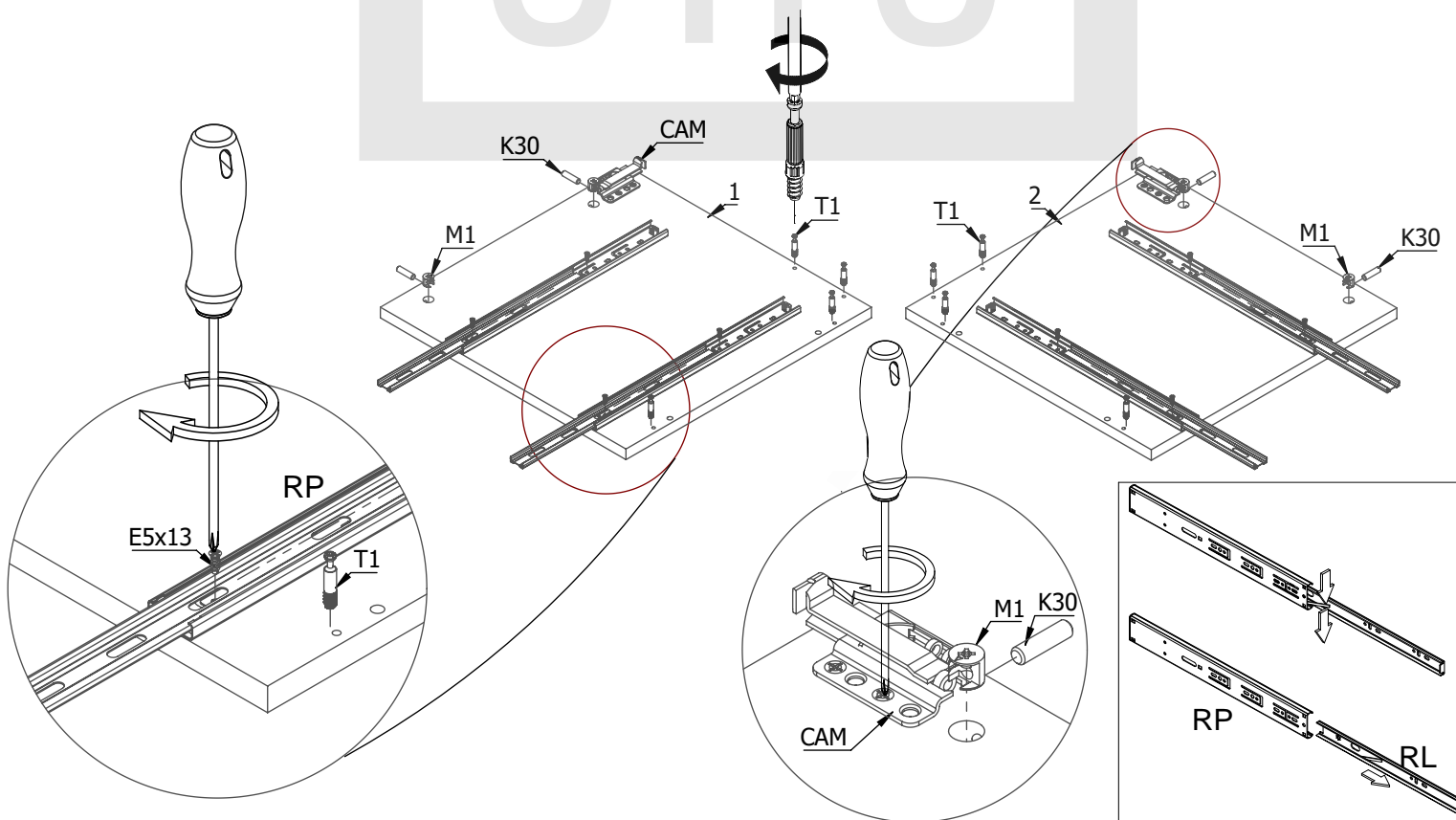
<p>10x80 KR 4</p>	<p>KF50 6</p>	<p>Q 1</p>	<p>X 24</p>	<p>E5x13 16</p>	<p>UM 2</p>	<p>W3,5x16 4</p>
<p>K30 26</p>	<p>T1 24</p>	<p>M1 24</p>	<p>CAM 2</p>	<p>ZA 2</p>	<p>W3x13 2</p>	












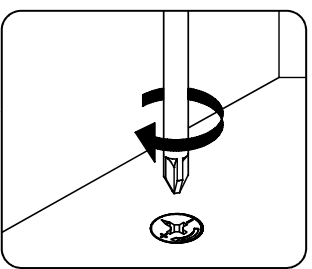
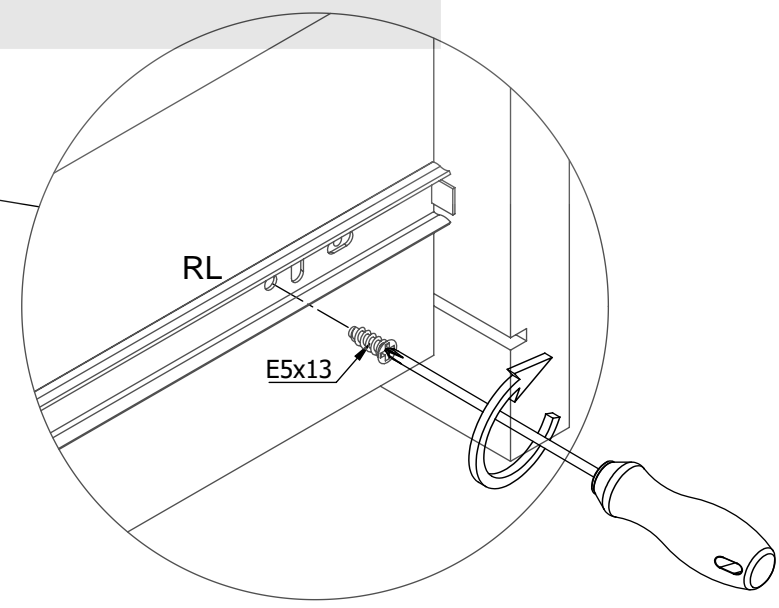
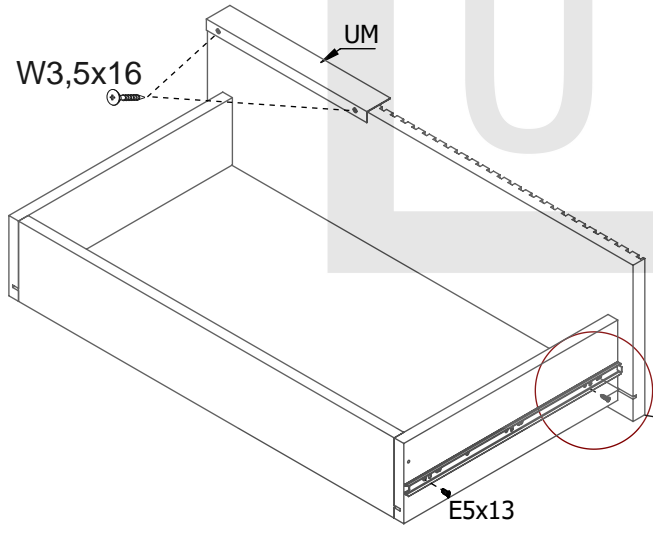
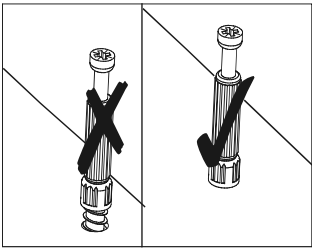
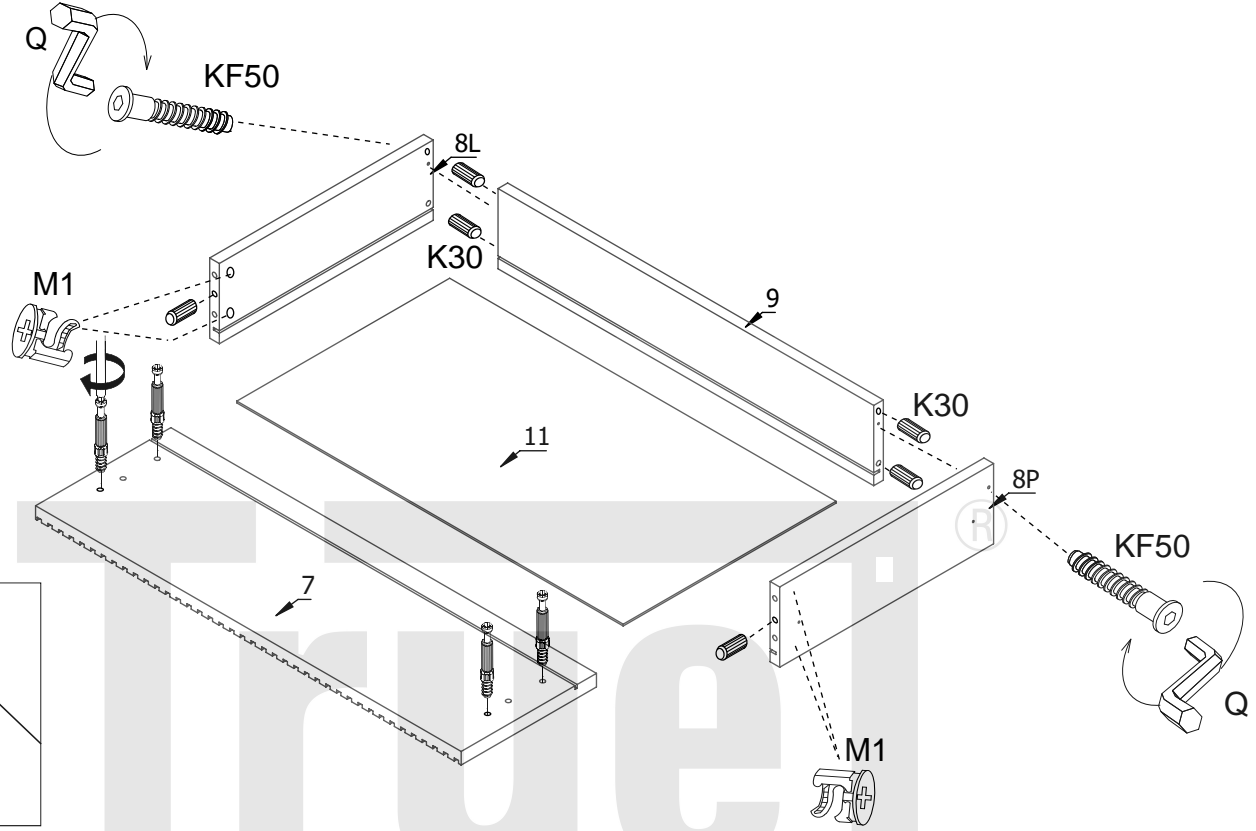
K30  4	M1  4	T1  4
------------------------------------------------------------------------------------------------	-----------------------------------------------------------------------------------------------	-----------------------------------------------------------------------------------------------












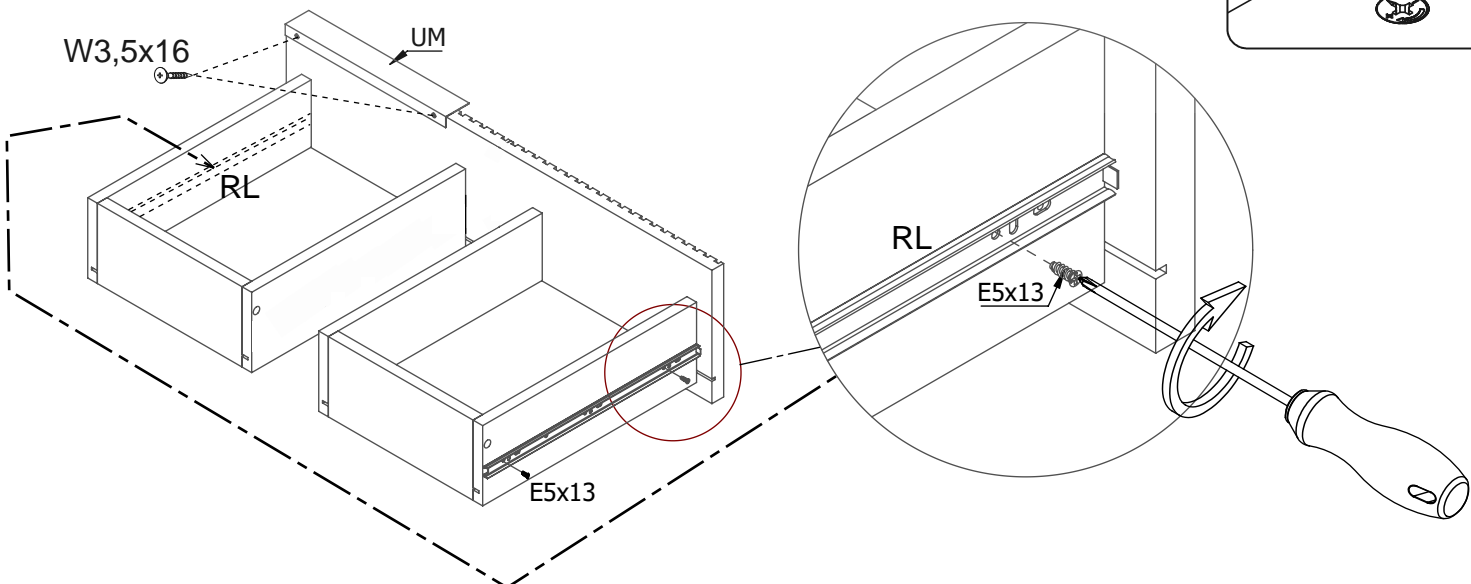
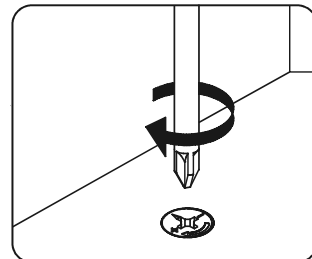
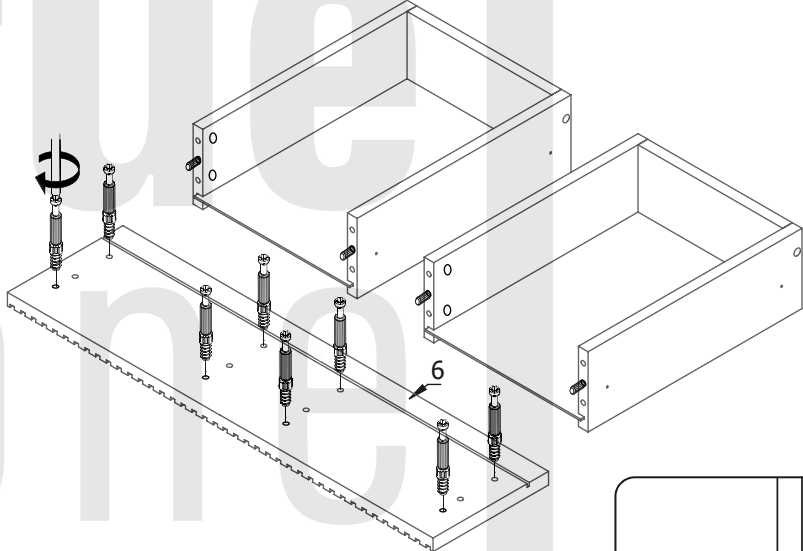
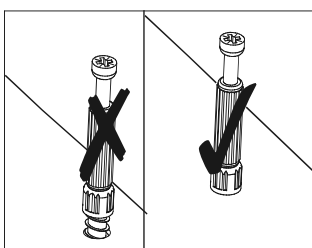
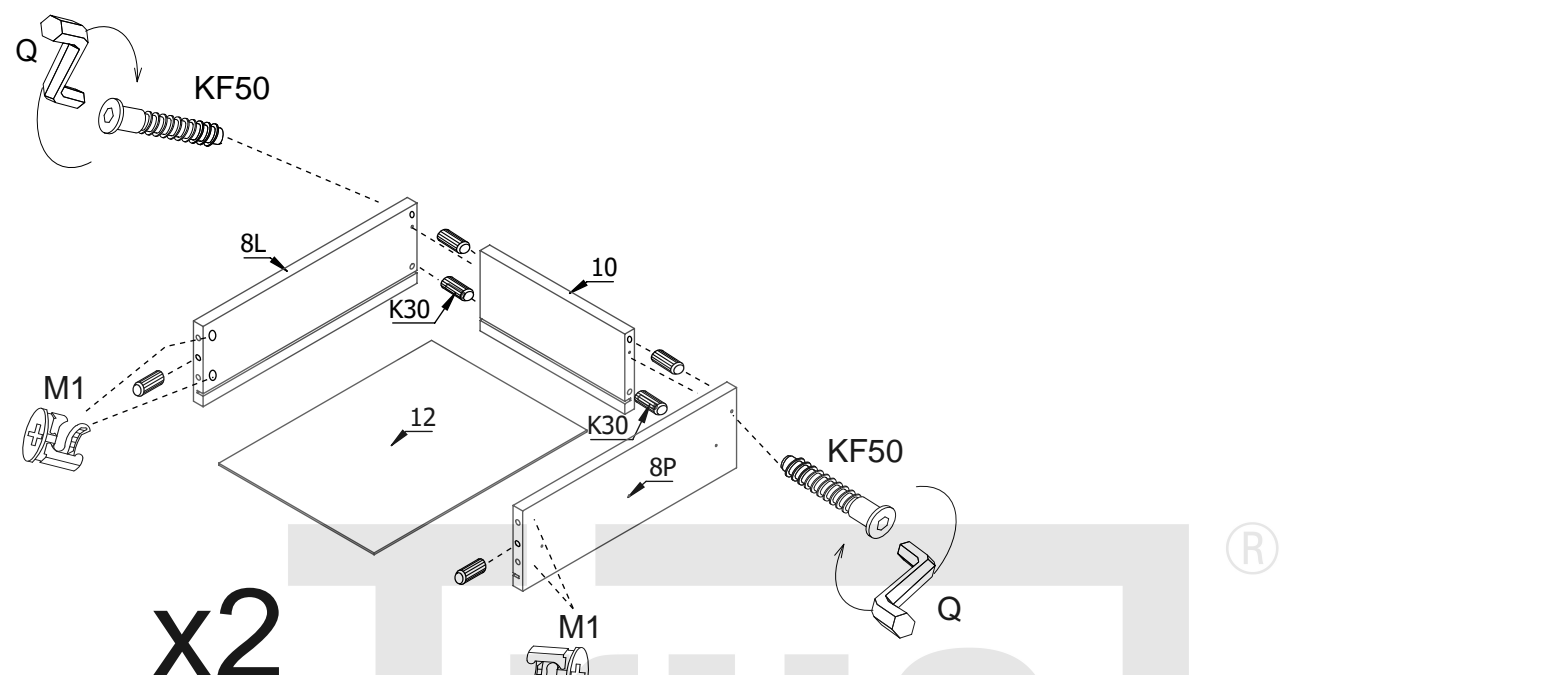
CAM  2	K30  4	M1  4	T1  8	E5x13  8
--------------------------------------------------------------------------------------------------	---------------------------------------------------------------------------------------------------	--------------------------------------------------------------------------------------------------	--------------------------------------------------------------------------------------------------	-----------------------------------------------------------------------------------------------------

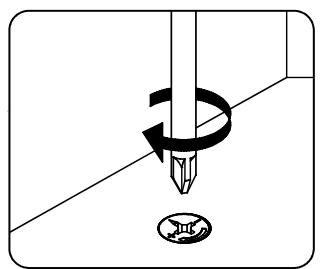
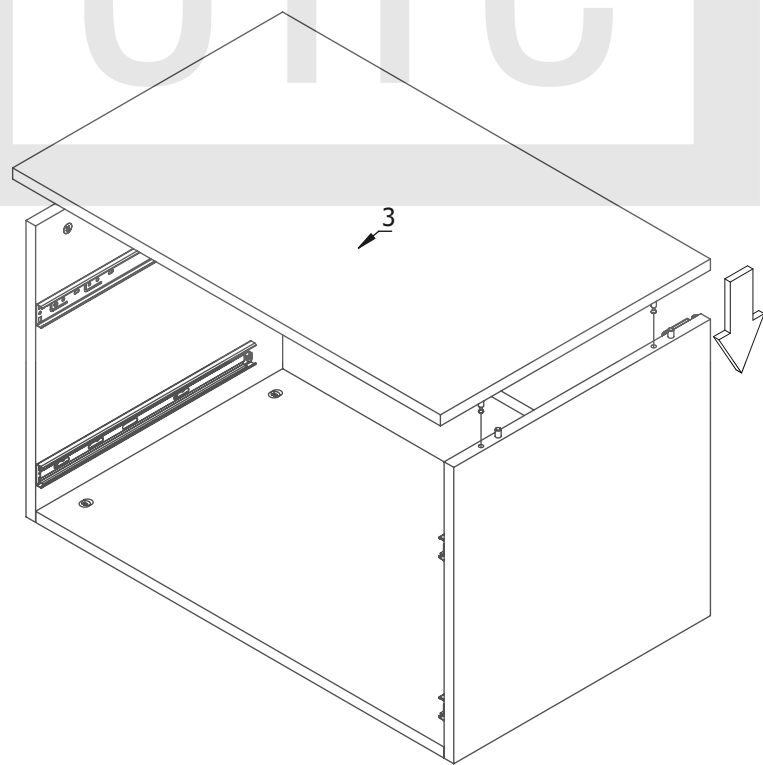
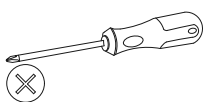
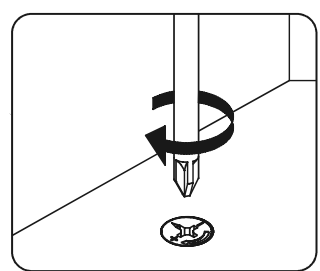
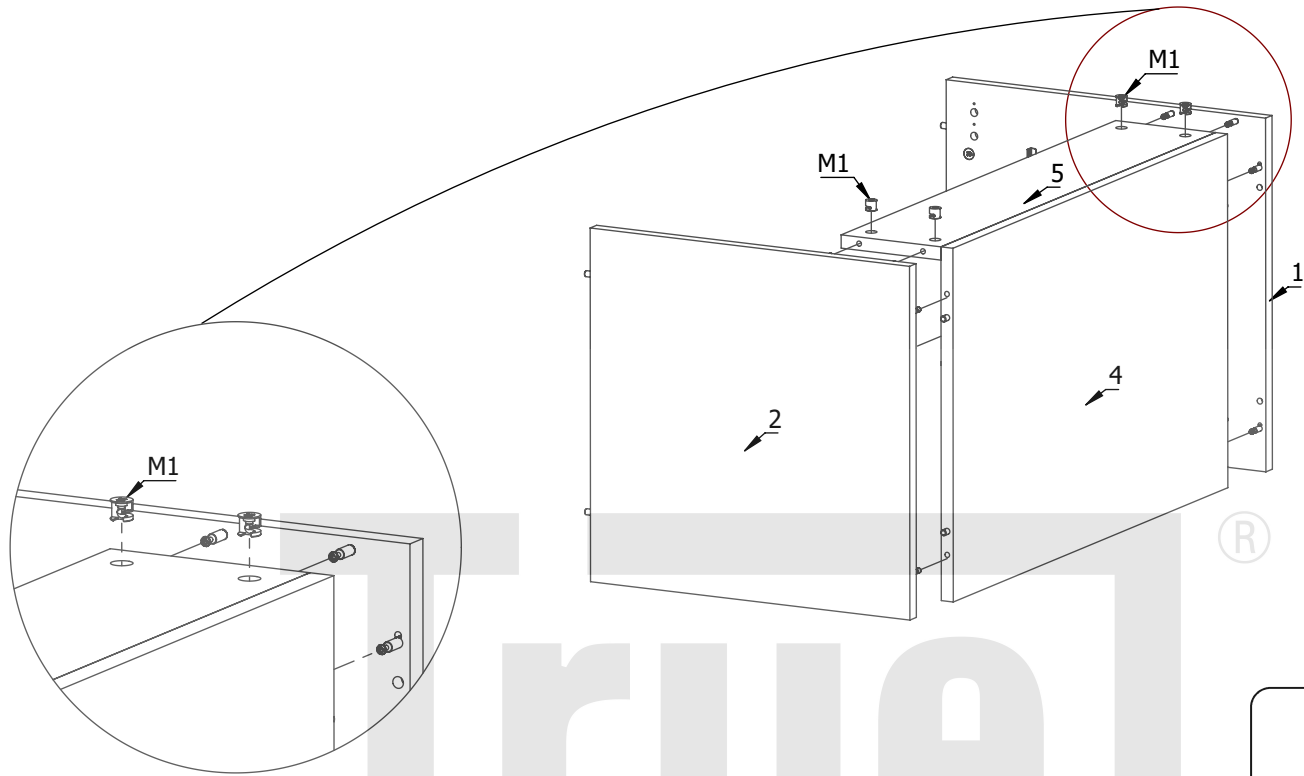
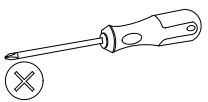



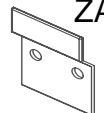
K30  6	M1  4	T1  4	E5x13  4	RL  2	Q  1	KF50  2	UM  1	W3,5x16  2
-----------------------------------------------------------------------------------------------------	----------------------------------------------------------------------------------------------------	----------------------------------------------------------------------------------------------------	-------------------------------------------------------------------------------------------------------	----------------------------------------------------------------------------------------------------	-----------------------------------------------------------------------------------------------------	--------------------------------------------------------------------------------------------------------	------------------------------------------------------------------------------------------------------	-----------------------------------------------------------------------------------------------------------



K30  12	M1  8	T1  8	E5x13  4	RL  2	Q  1	KF50  4	UM  1	W3,5x16  2
-----------------------------------------------------------------------------------------------	---------------------------------------------------------------------------------------------	---------------------------------------------------------------------------------------------	------------------------------------------------------------------------------------------------	---------------------------------------------------------------------------------------------	----------------------------------------------------------------------------------------------	-------------------------------------------------------------------------------------------------	-----------------------------------------------------------------------------------------------	----------------------------------------------------------------------------------------------------





$\varnothing 10 \times 80$  KR 4	 ZA 2
-----------------------------------------------------------------------------------------------------------------------------	-----------------------------------------------------------------------------------------------

