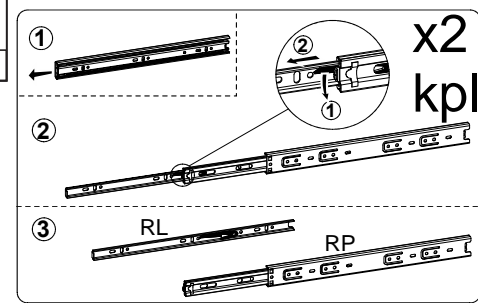



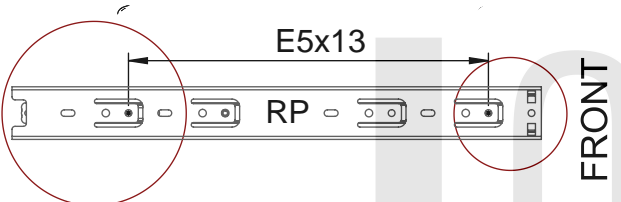
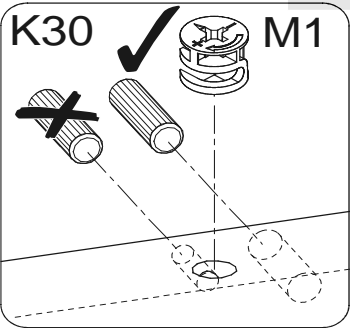
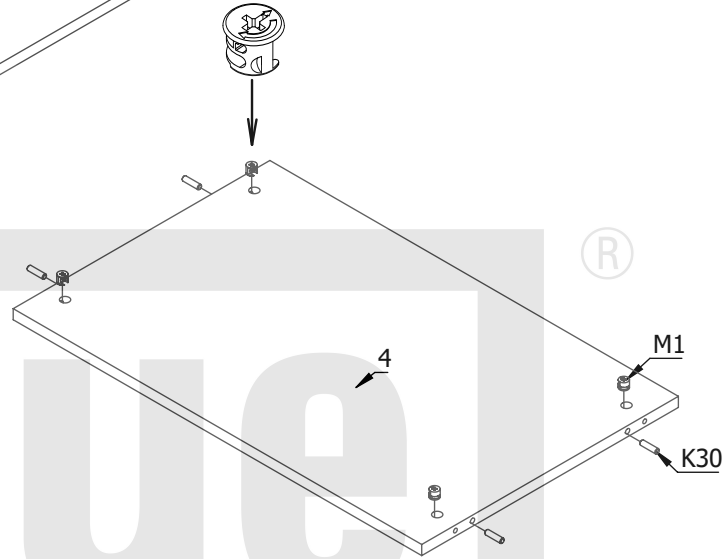
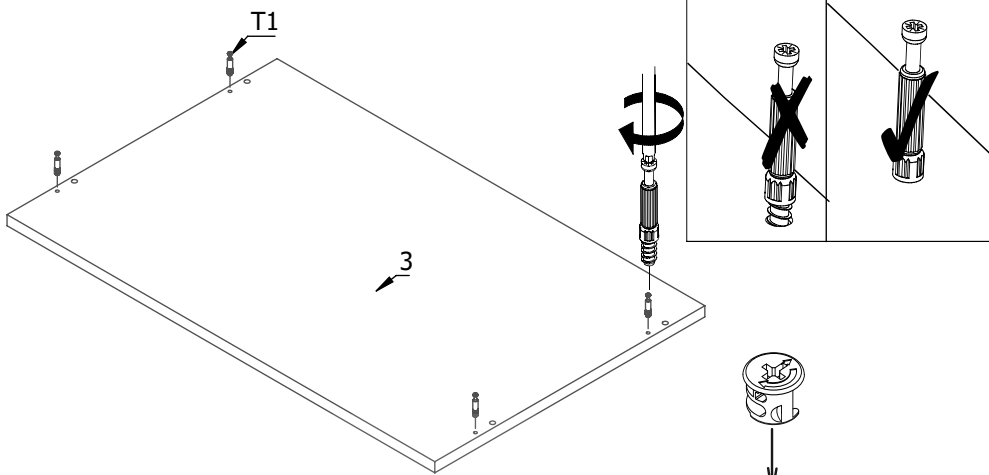







<p>10x80 KR 4</p>	<p>KF50 6</p>	<p>Q 1</p>	<p>X 24</p>	<p>E5x13 16</p>	<p>UM 2</p>	<p>W3,5x16 4</p>
-----------------------	---------------	------------	-------------	-----------------	-------------	------------------

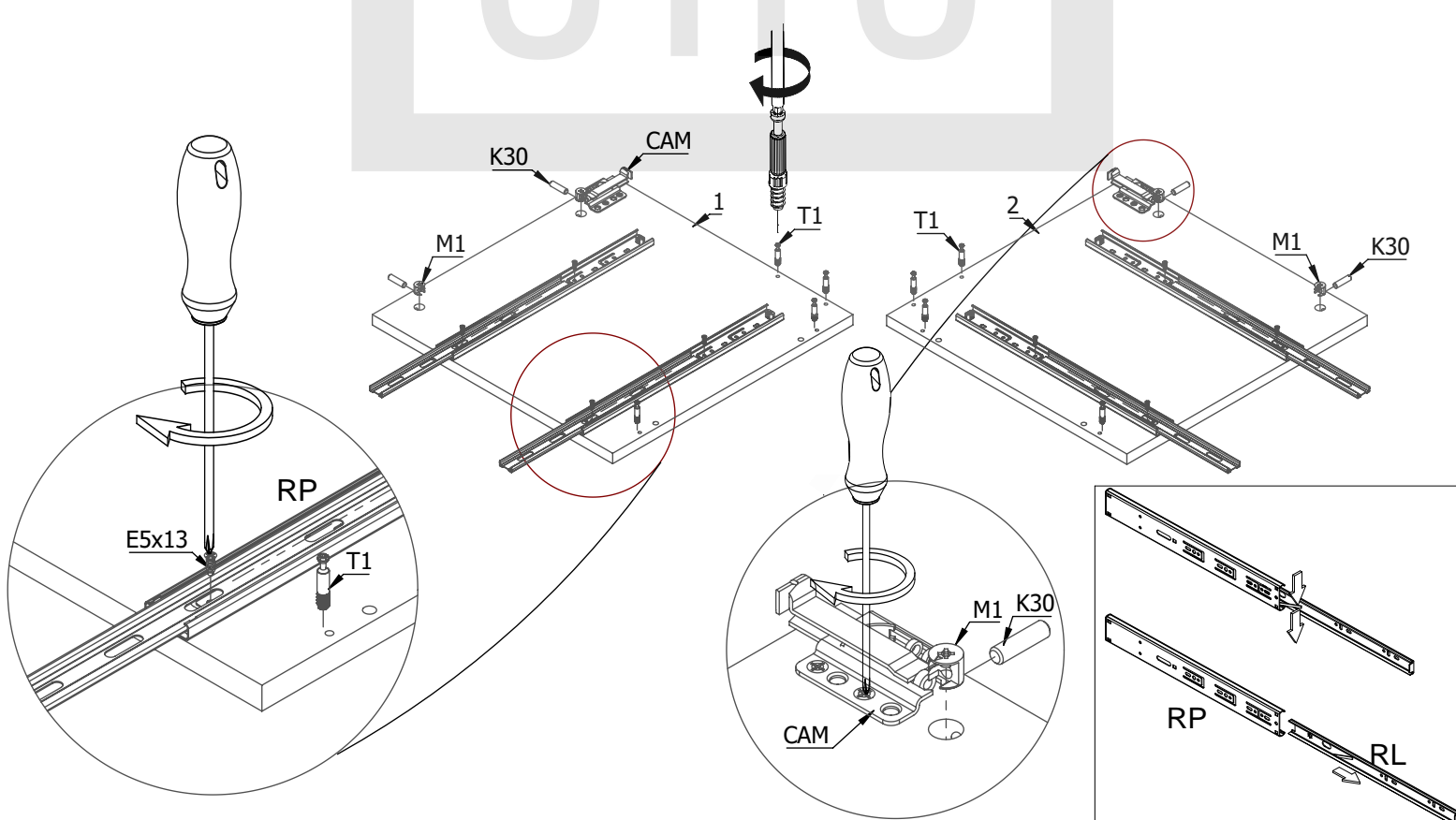
<p>K30 26</p>	<p>T1 24</p>	<p>M1 24</p>	<p>CAM 2</p>	<p>ZA 2</p>	<p>W3x13 2</p>
---------------	--------------	--------------	--------------	-------------	----------------













K30  4	M1  4	T1  4
--	---	---

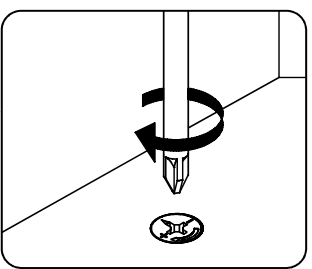
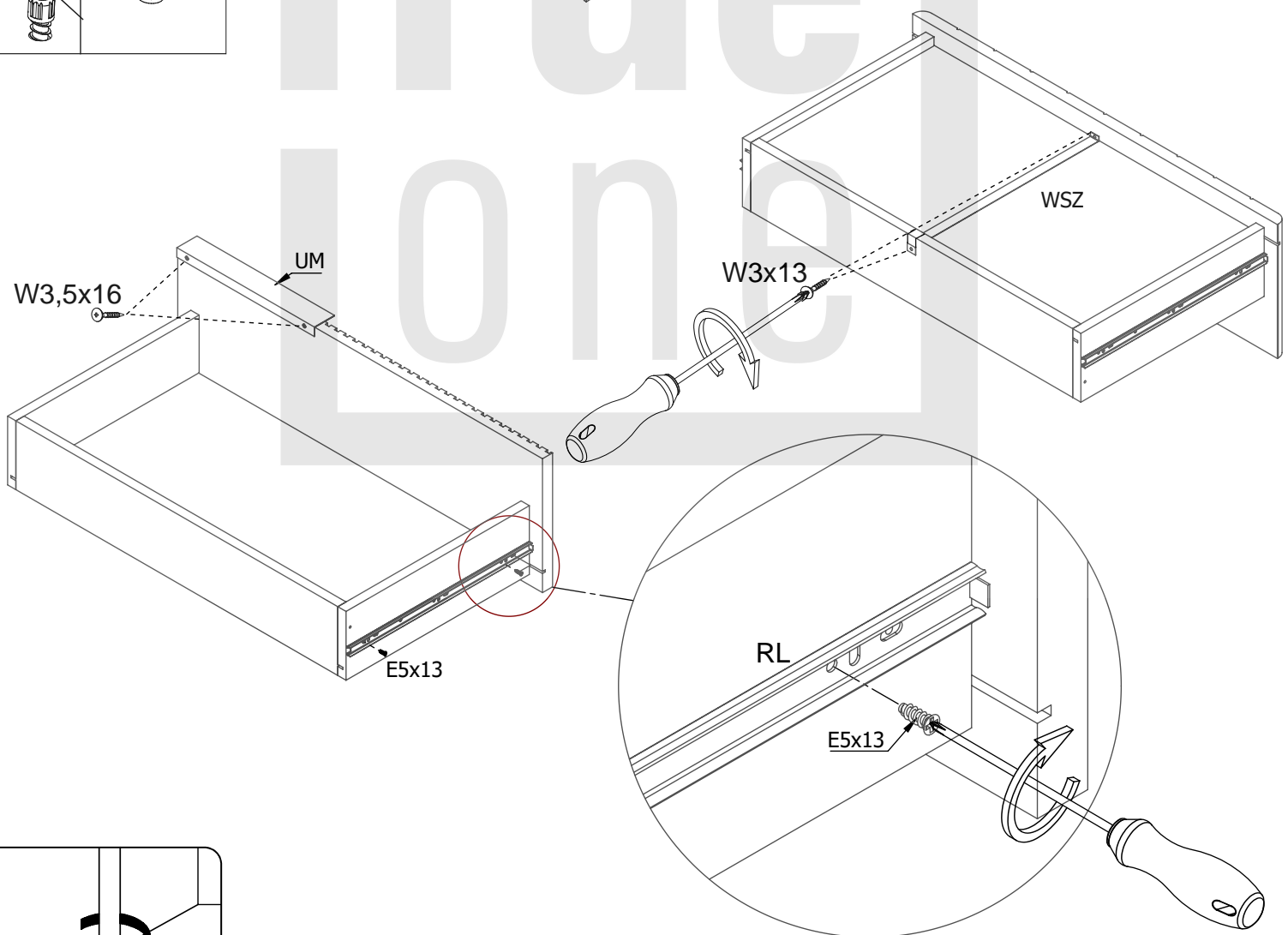
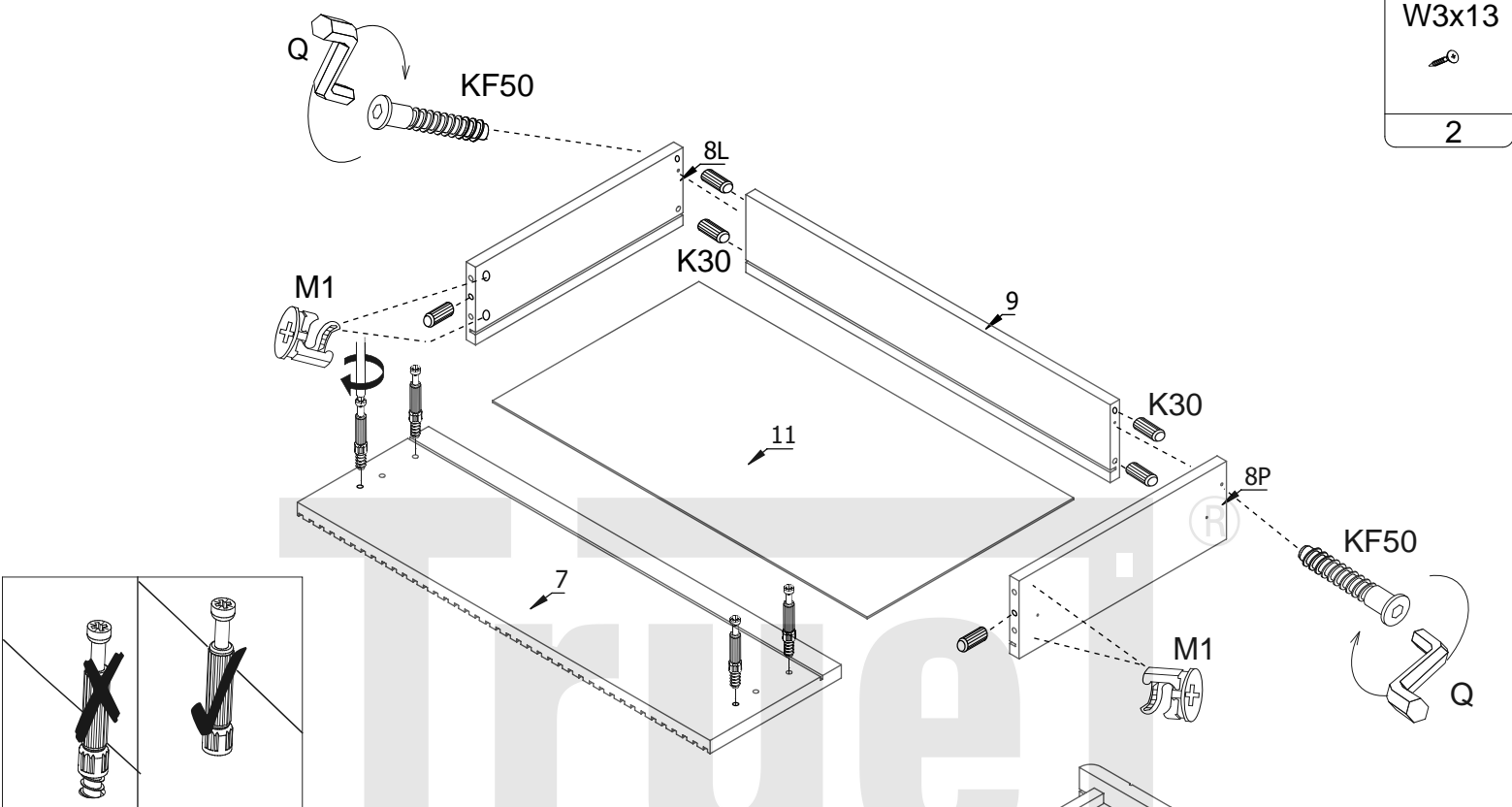











CAM  2	K30  4	M1  4	T1  8	E5x13  8
--	---	--	--	---

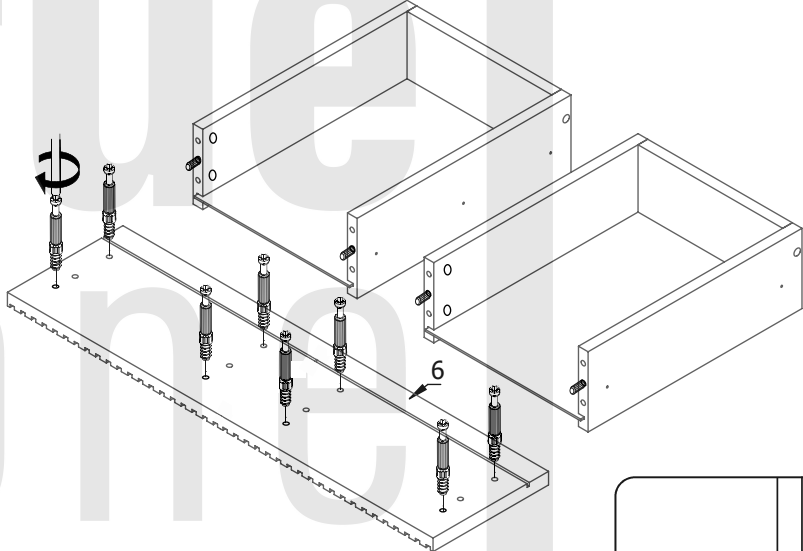
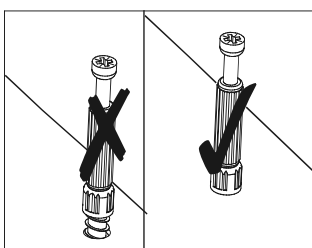
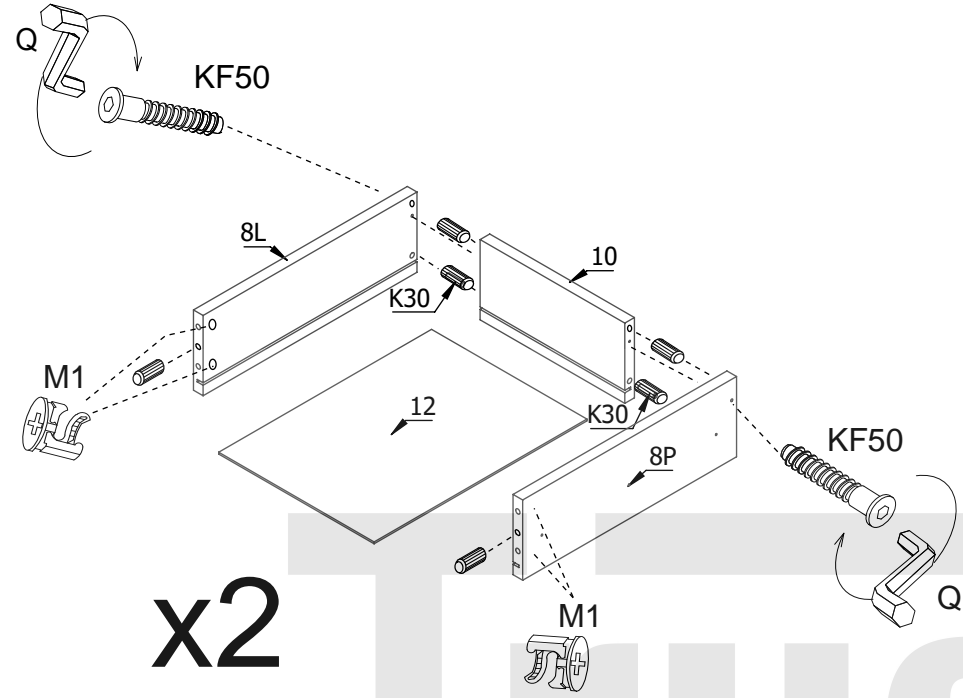


K30  6	M1  4	T1  4	E5x13  4	RL  2	Q  1	KF50  2	UM  1	W3,5x16  2
---	--	--	---	--	---	--	--	---

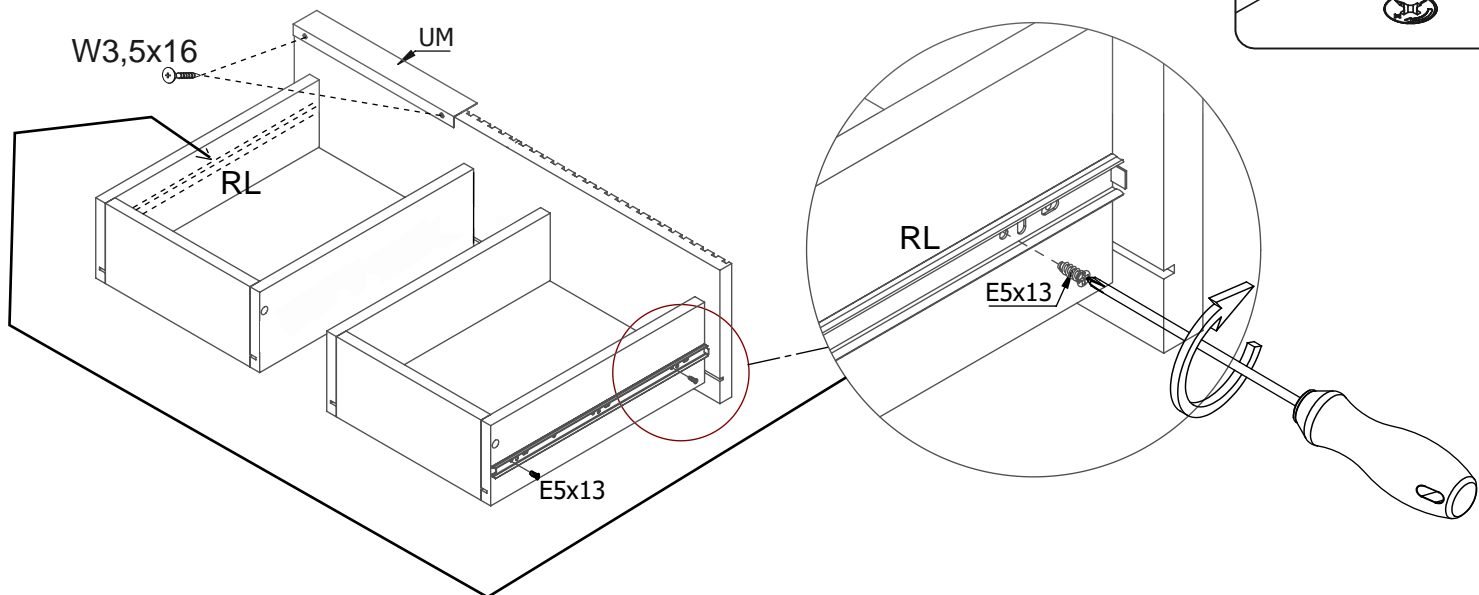
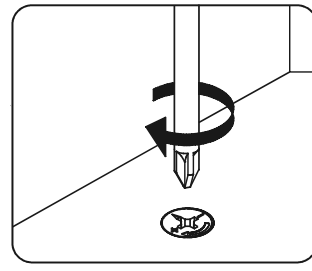
W3x13  2
--

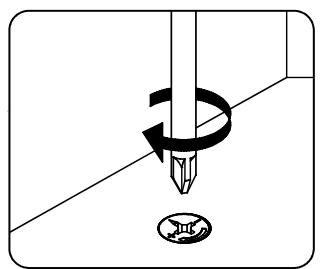
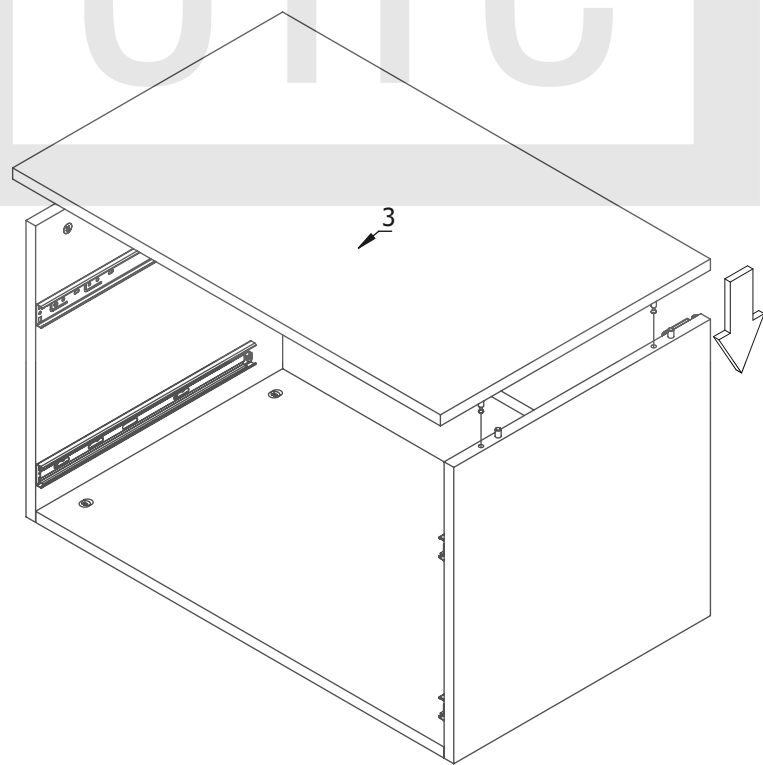
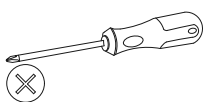
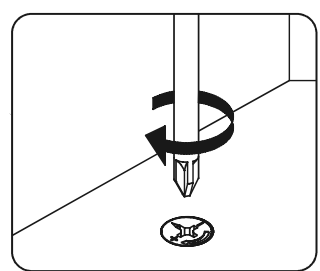
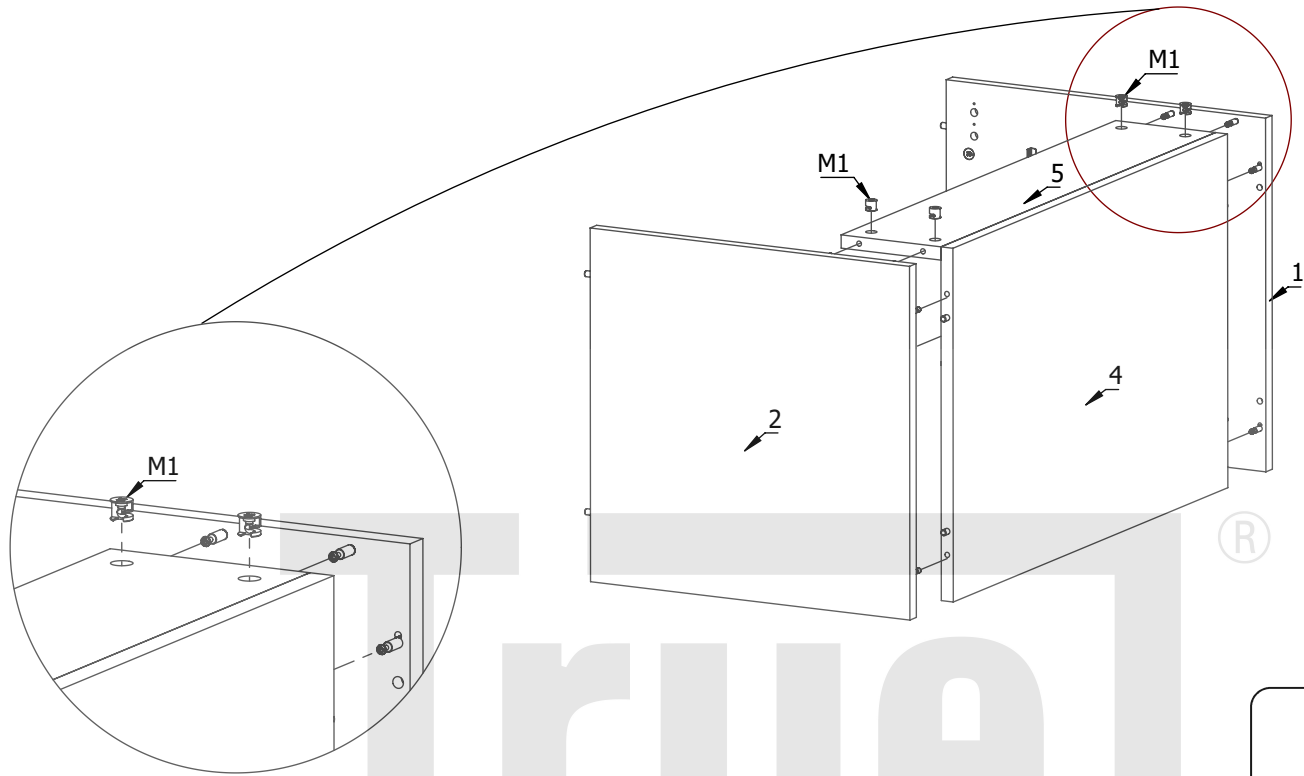
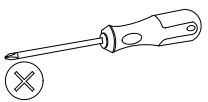



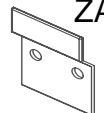

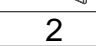
K30  12	M1  8	T1  8	E5x13  4	RL  2	Q  1	KF50  4	UM  1	W3,5x16  2
---	---	---	--	---	--	---	---	--



®





 Ø10x80	 ZA
 KR	 2
4	2

