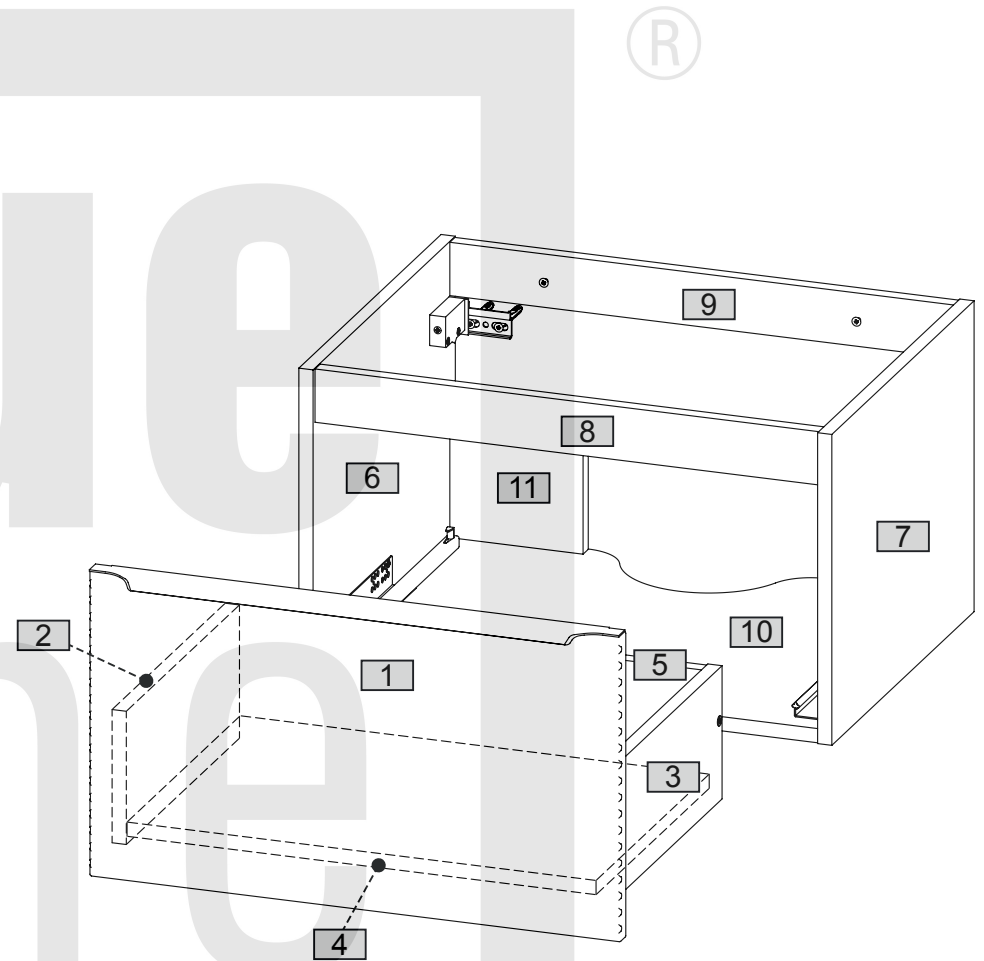
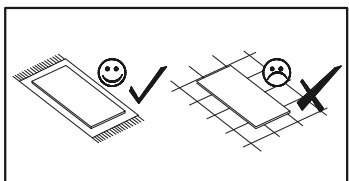
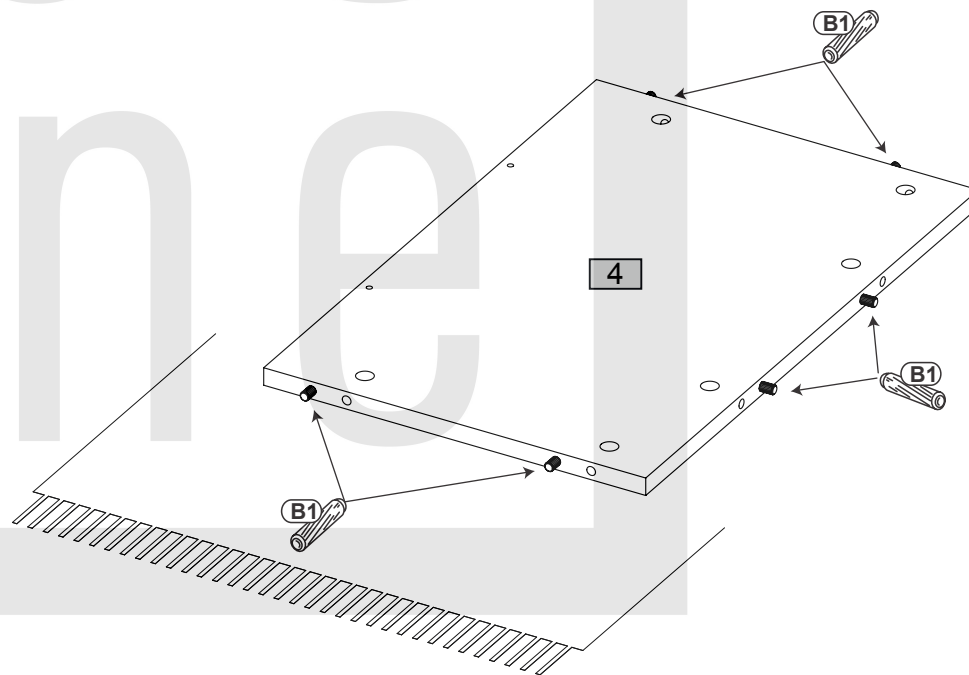
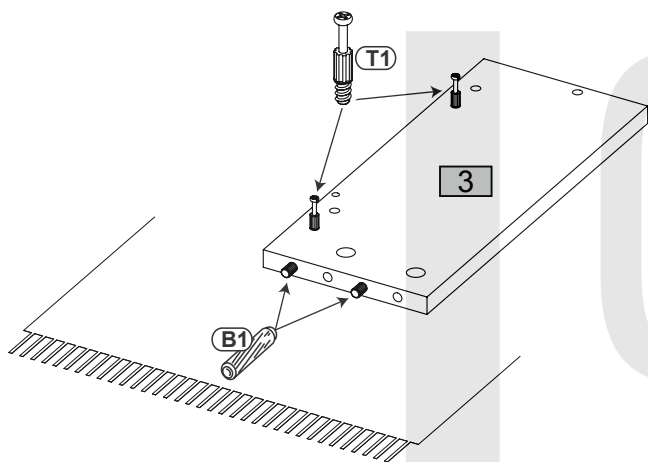
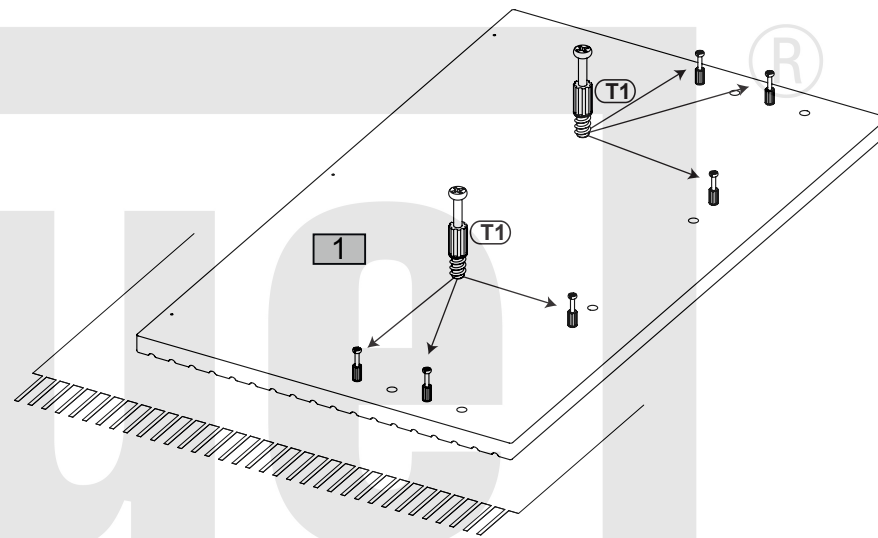
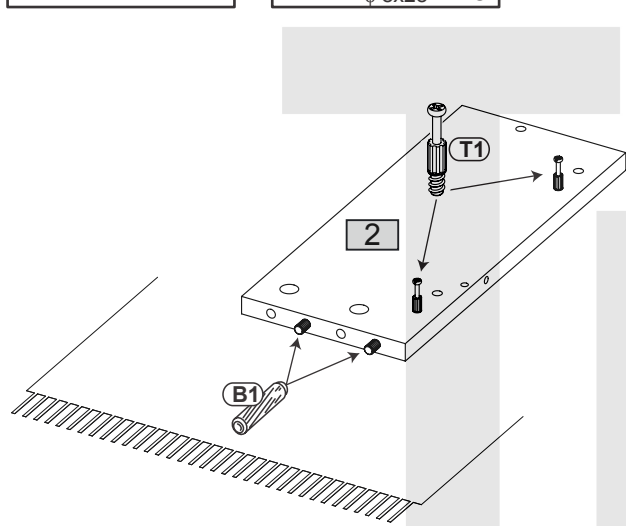
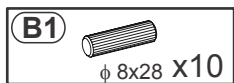
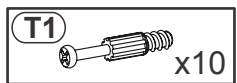


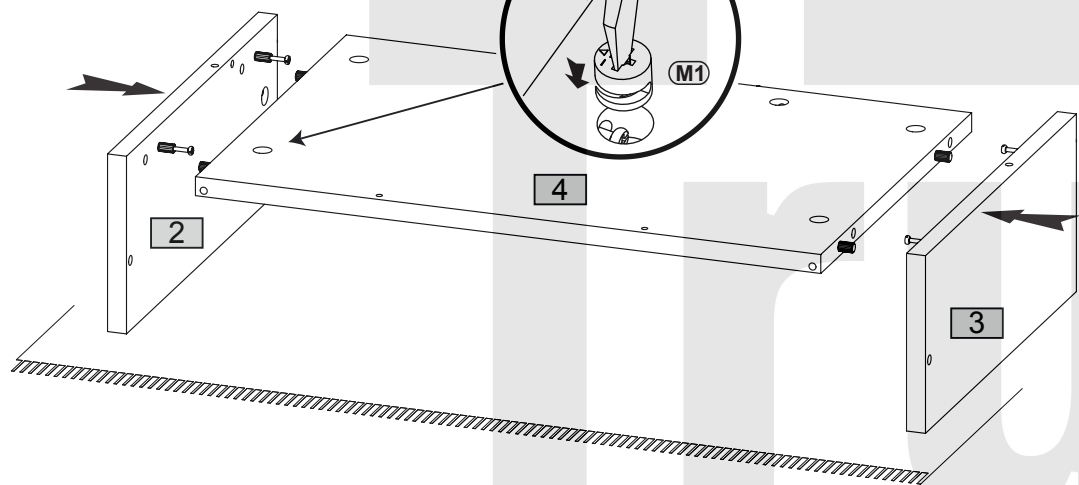
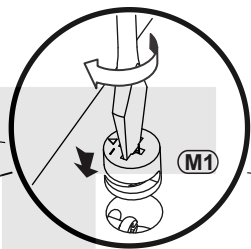
| Nr | | | | pcs |
|----|-----|-----|----|-----|
| 1 | 598 | 344 | 16 | 1 |
| 2 | 350 | 150 | 16 | 1 |
| 3 | 350 | 150 | 16 | 1 |
| 4 | 528 | 350 | 16 | 1 |
| 5 | 528 | 123 | 16 | 1 |
| 6 | 350 | 440 | 16 | 1 |
| 7 | 350 | 440 | 16 | 1 |
| 8 | 568 | 60 | 16 | 1 |
| 9 | 568 | 60 | 16 | 1 |
| 10 | 568 | 439 | 16 | 1 |
| 11 | 150 | 150 | 16 | 2 |



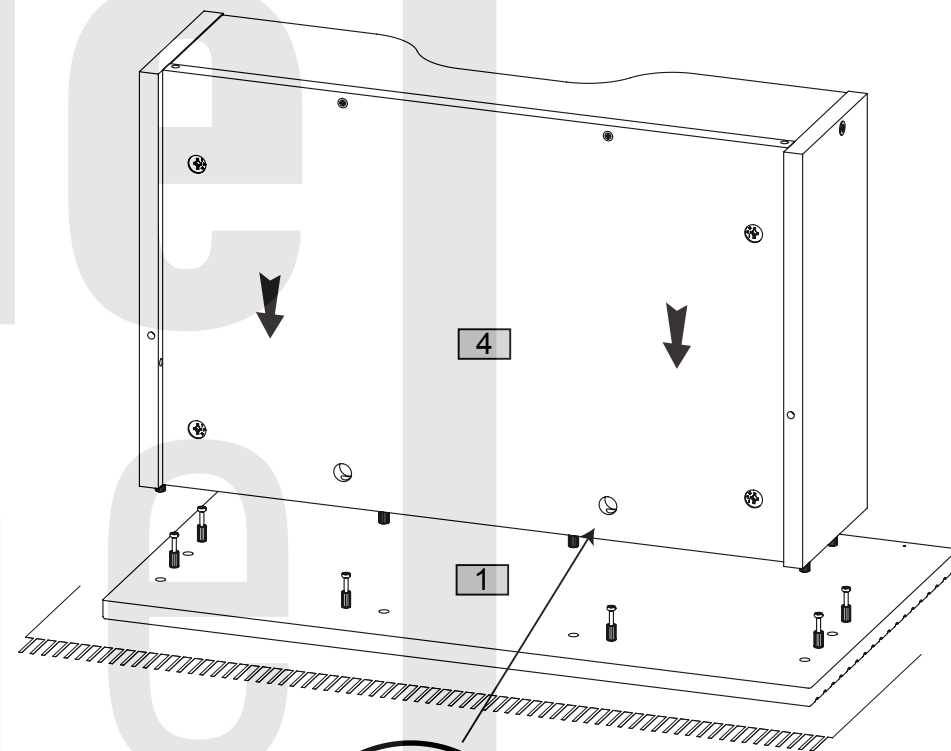
1




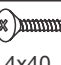
2 **M1**  x4

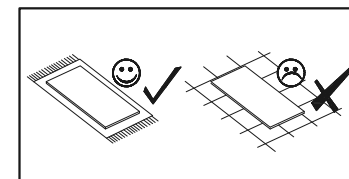
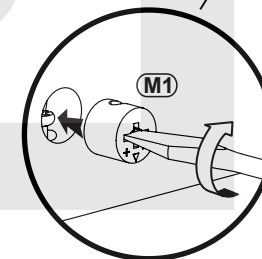
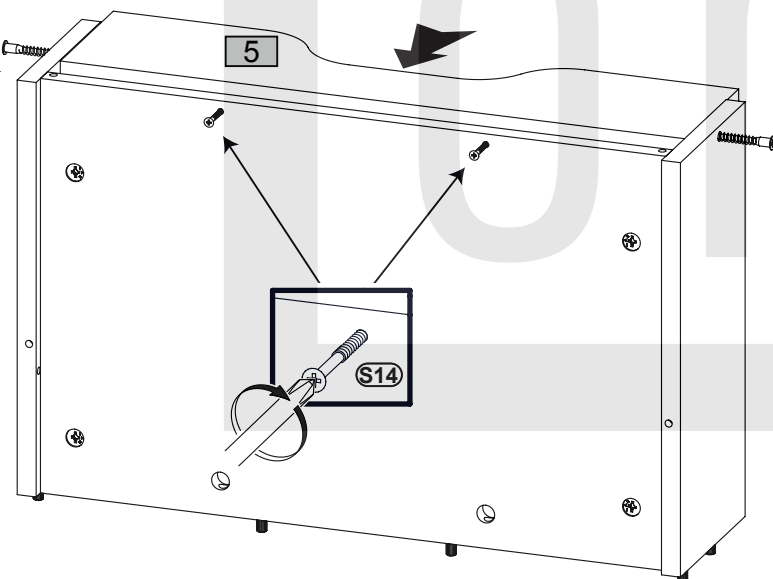
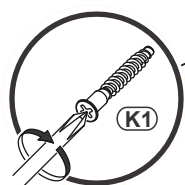


4 **M1**  x6

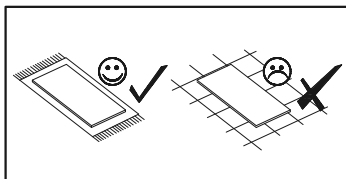
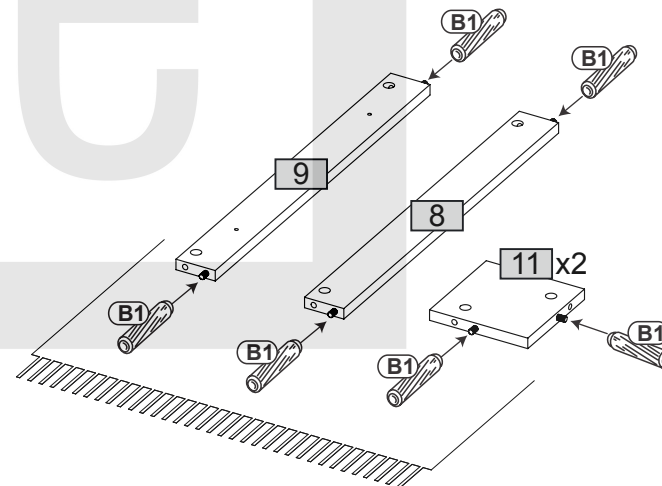
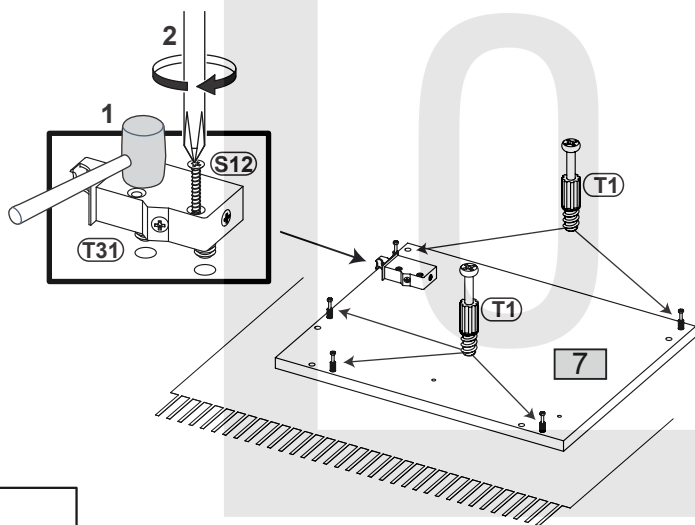
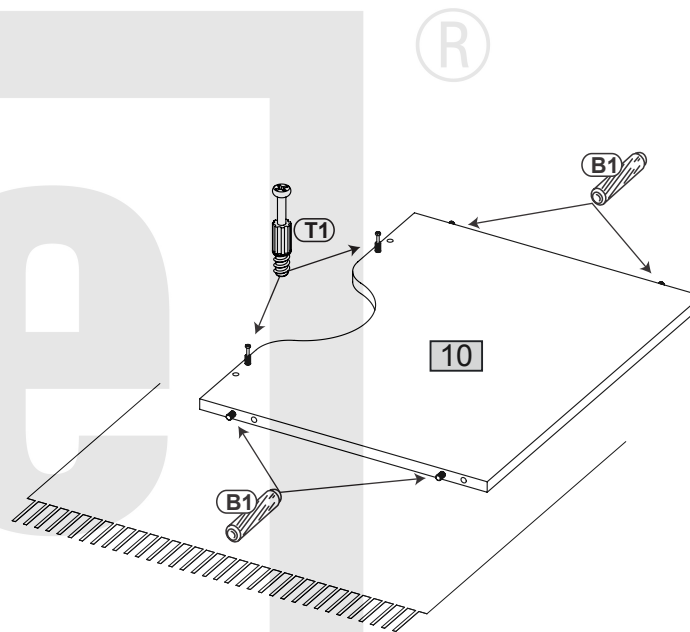
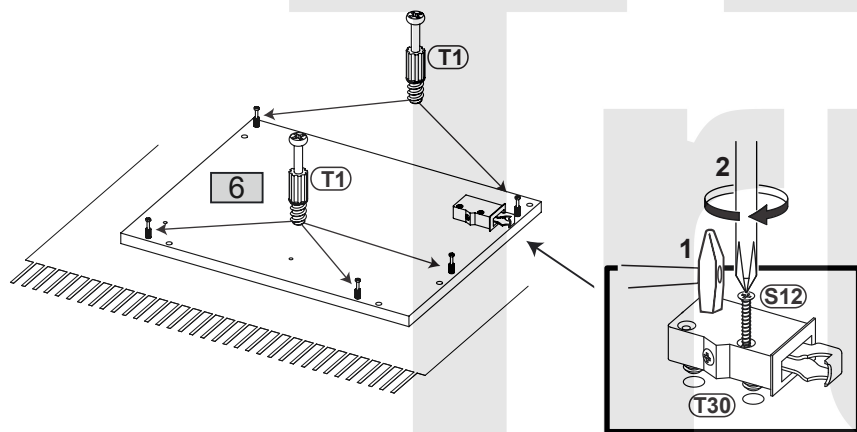
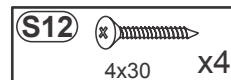
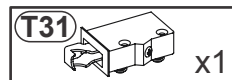
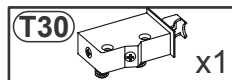
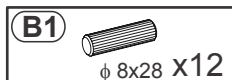
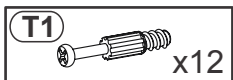


3 **K1**  7x50 x2

S14  4x40 x2

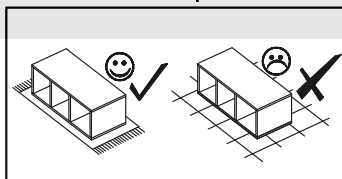
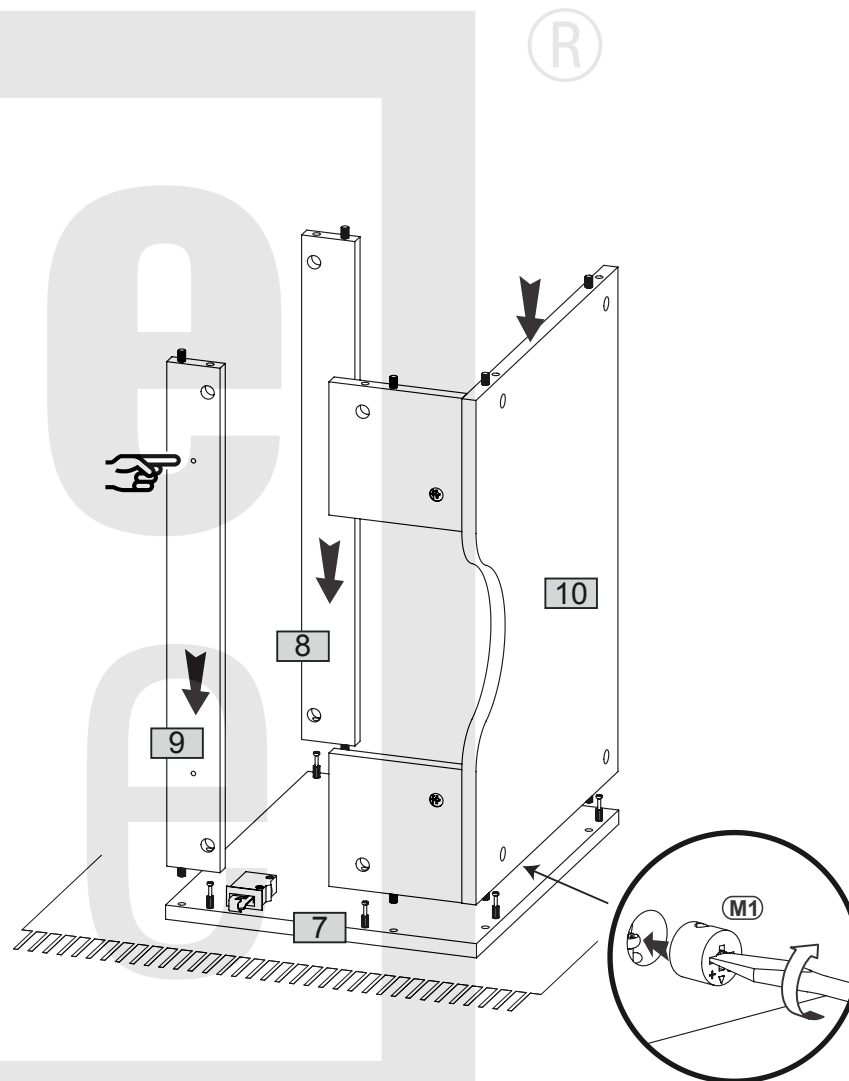
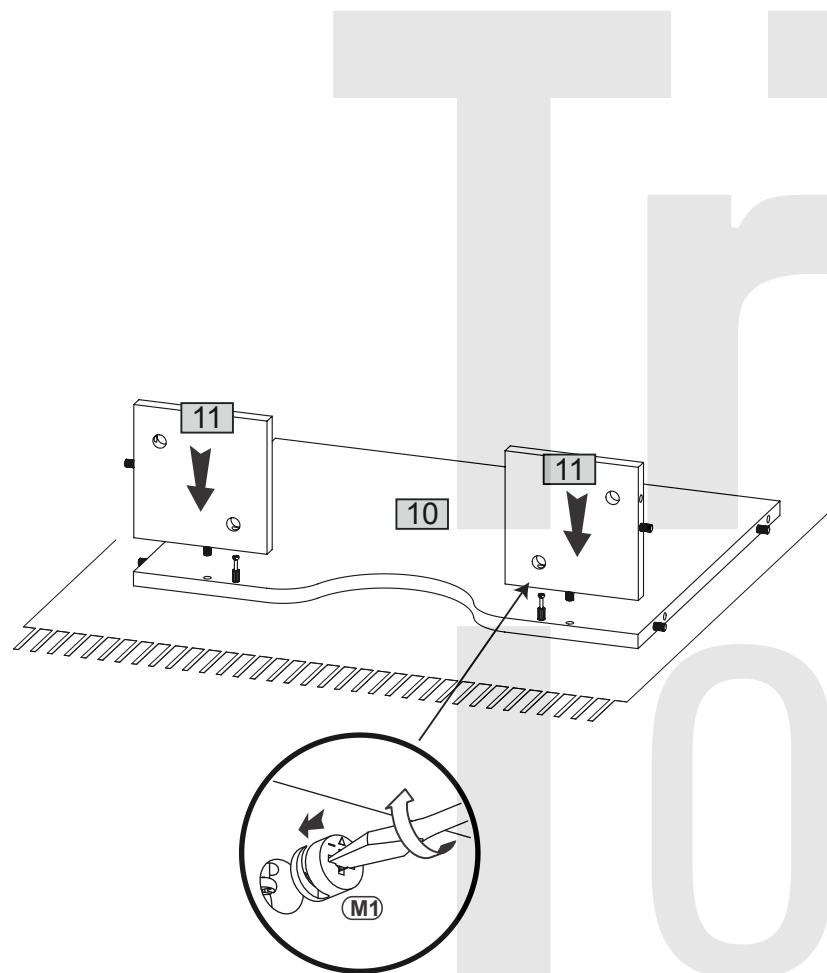


5

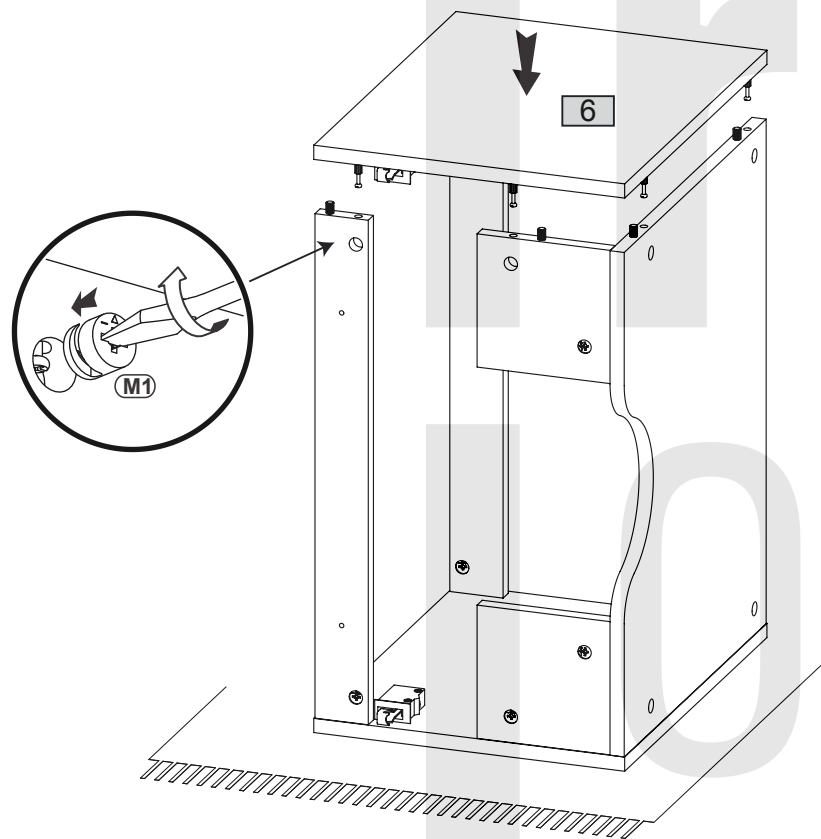


6  x2

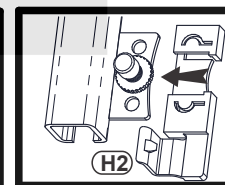
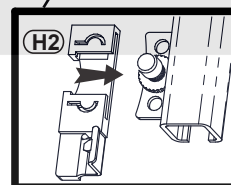
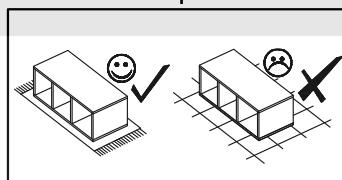
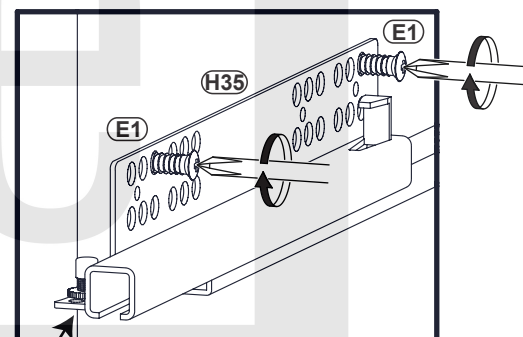
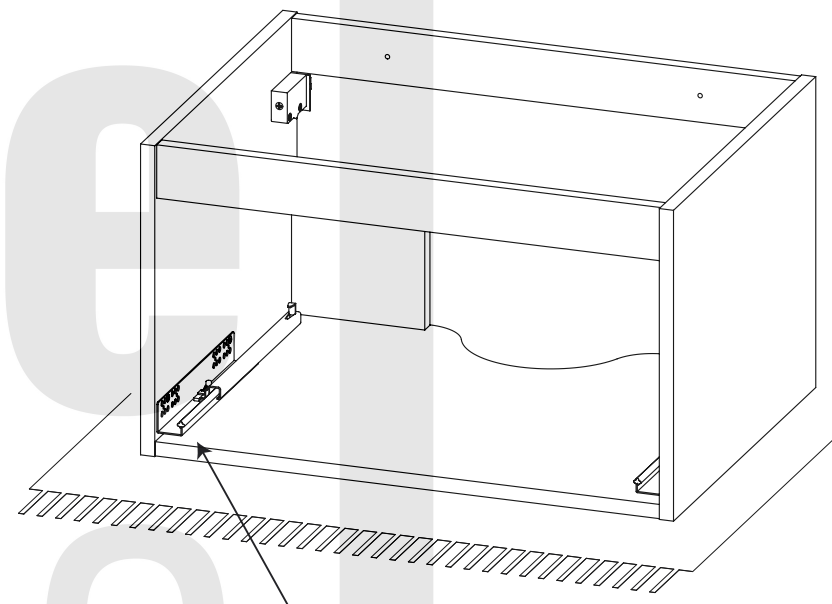
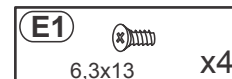
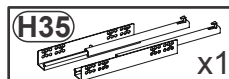
7  x5



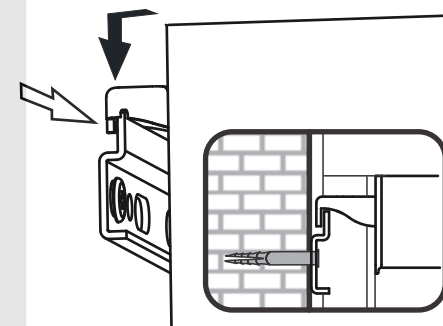
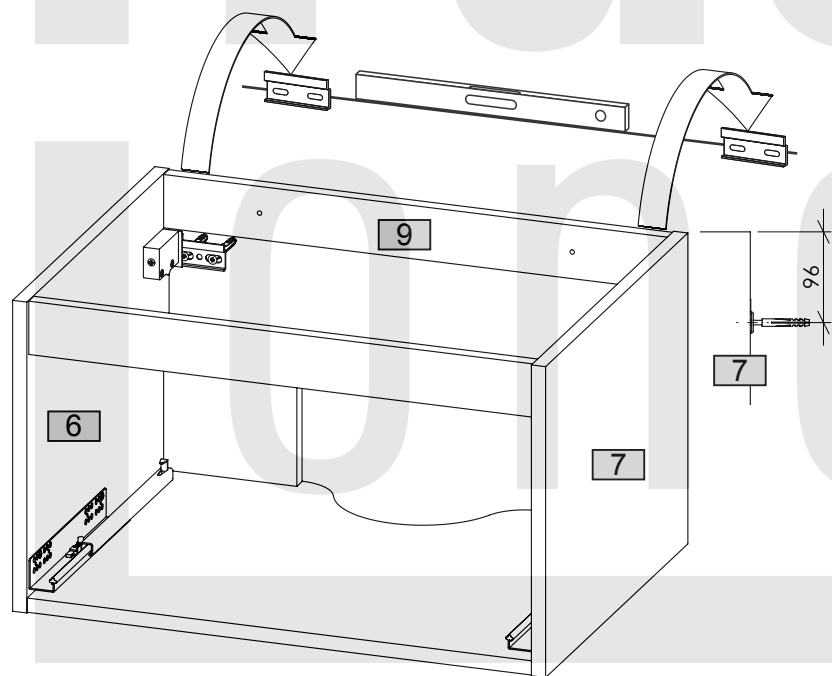
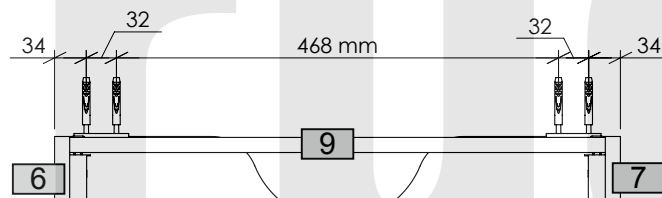
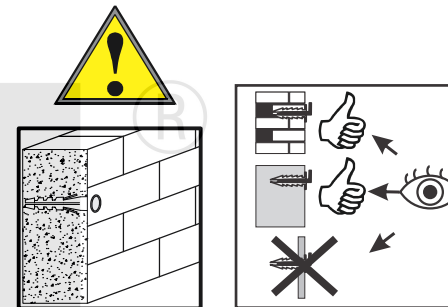
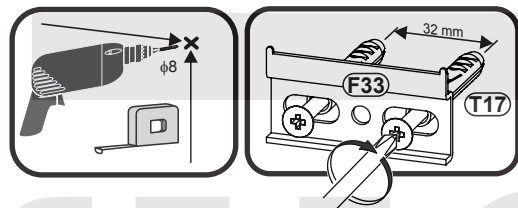
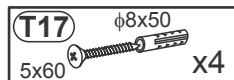
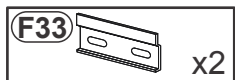
8



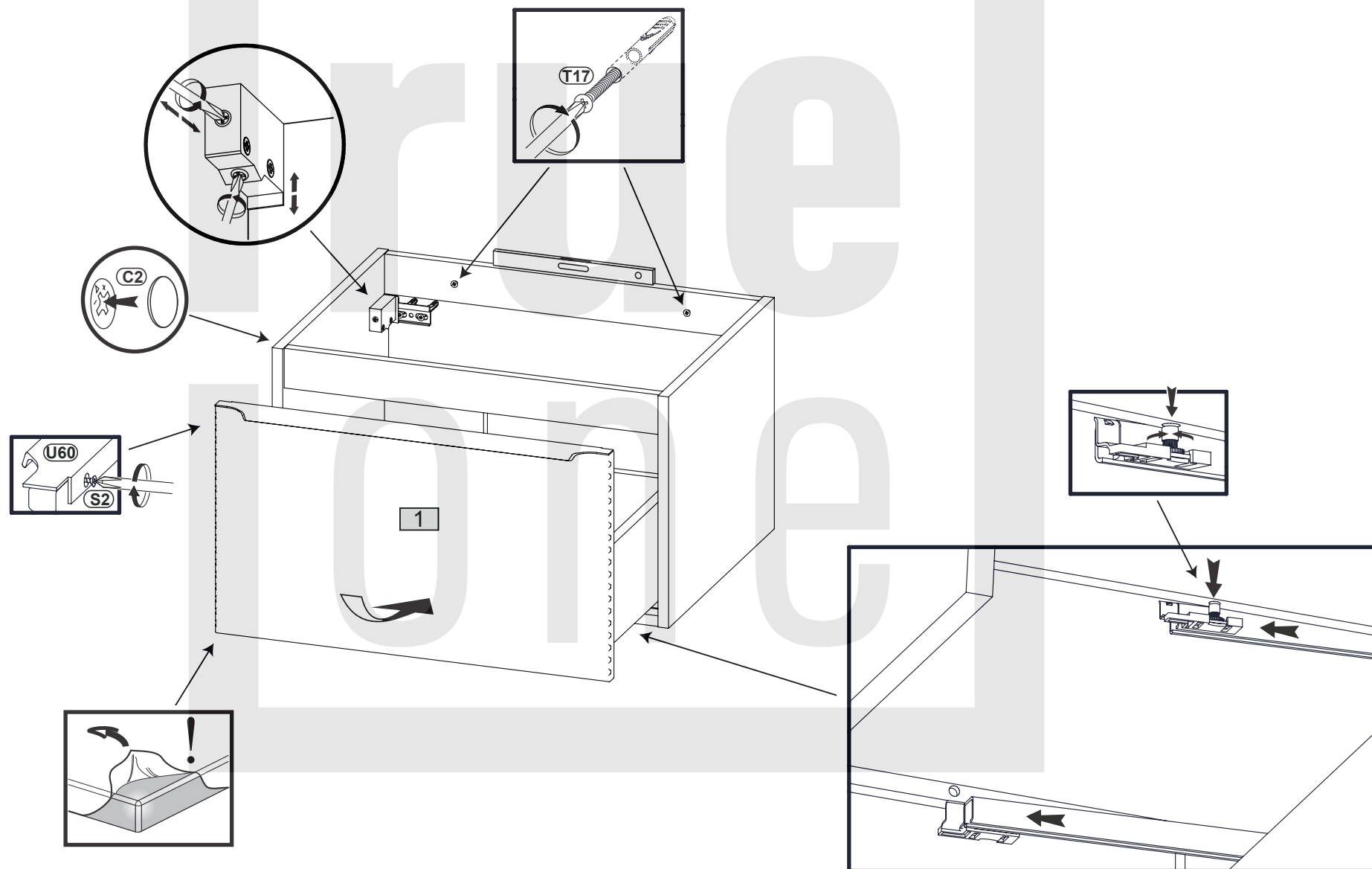
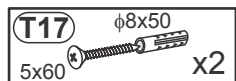
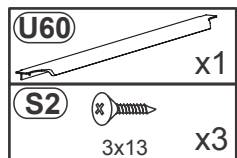
9



10



11





OPTION

