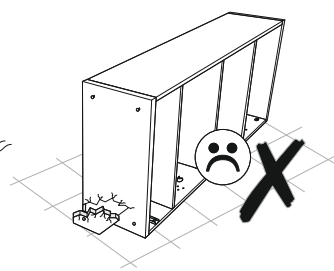
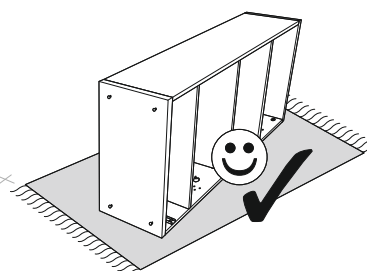
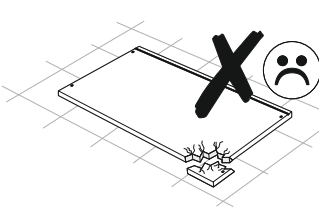
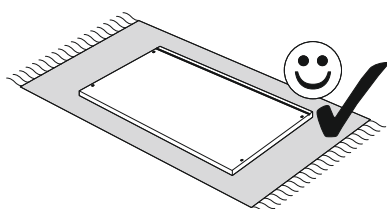
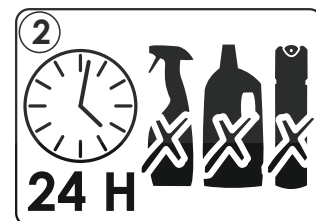
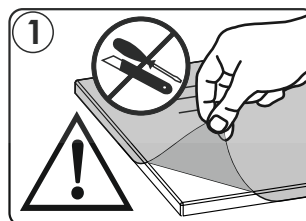
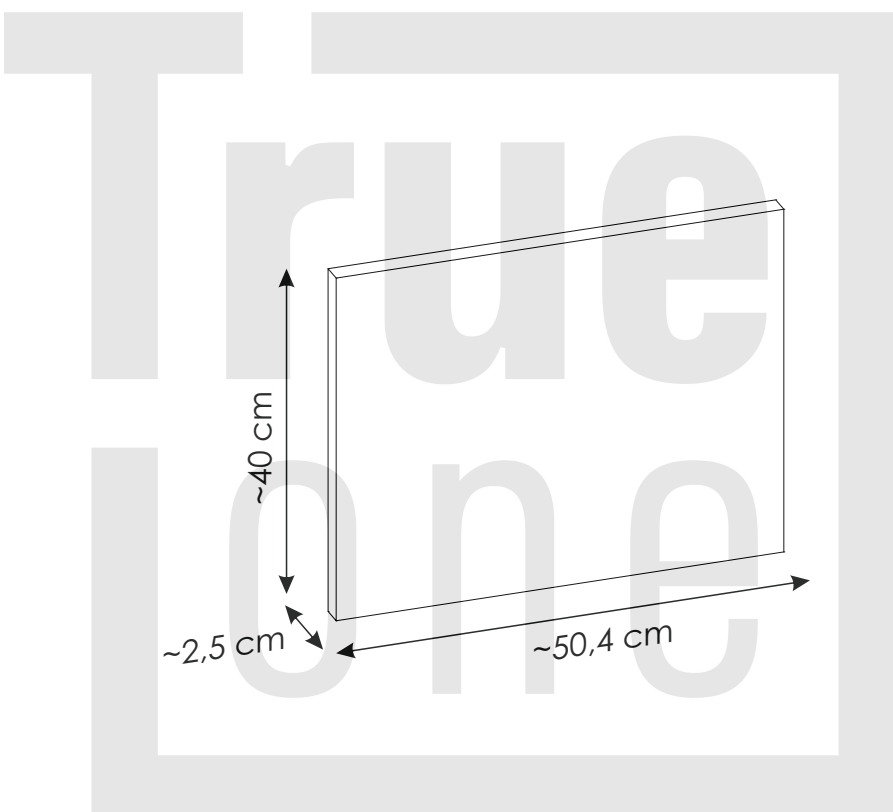
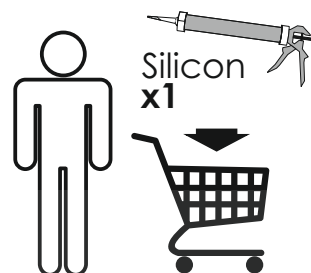
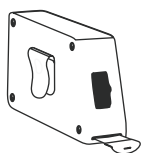
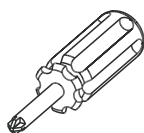
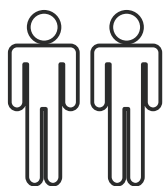
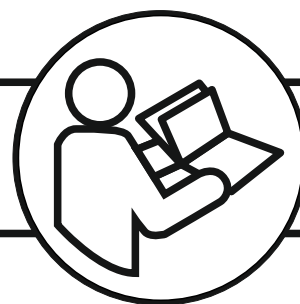
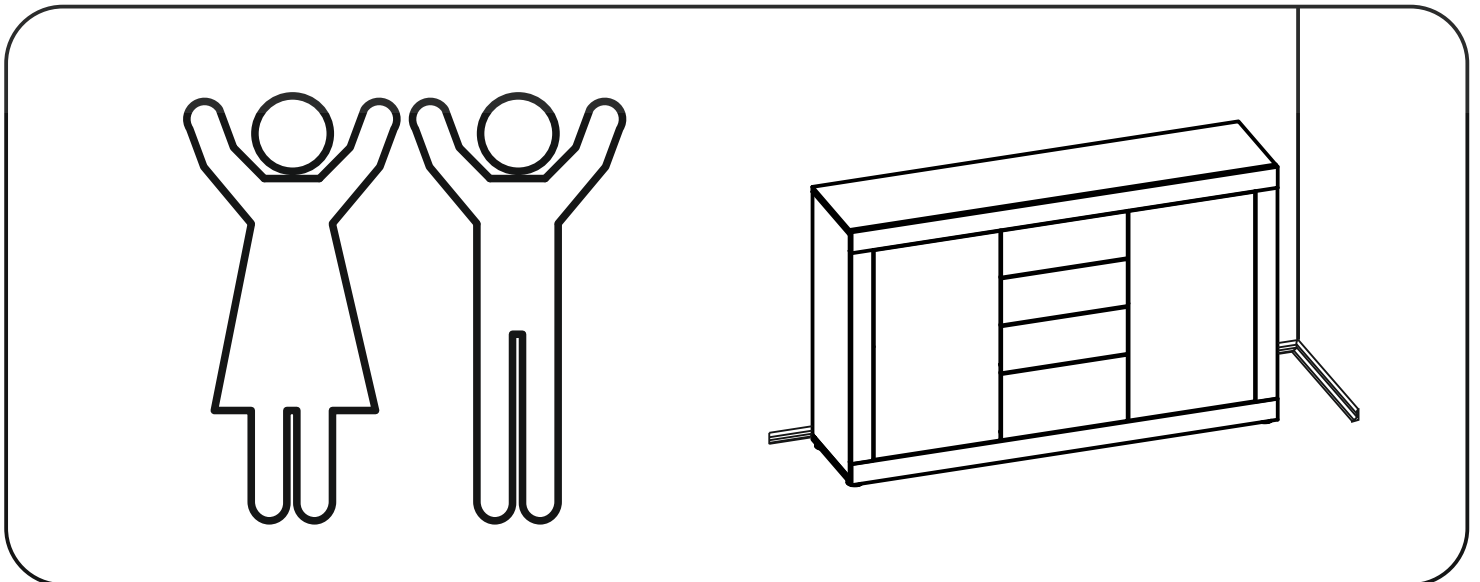
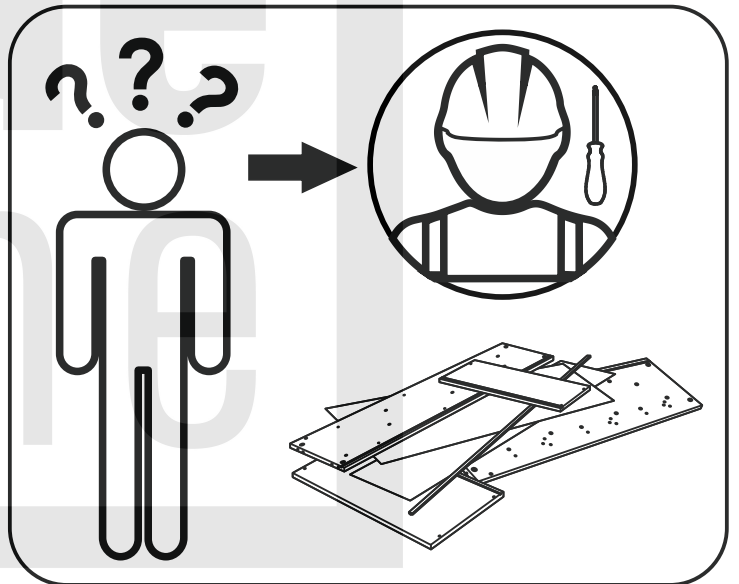
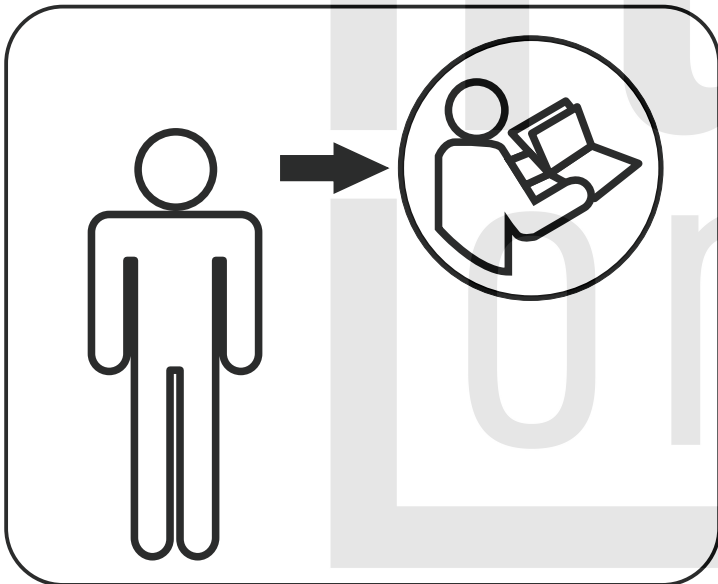
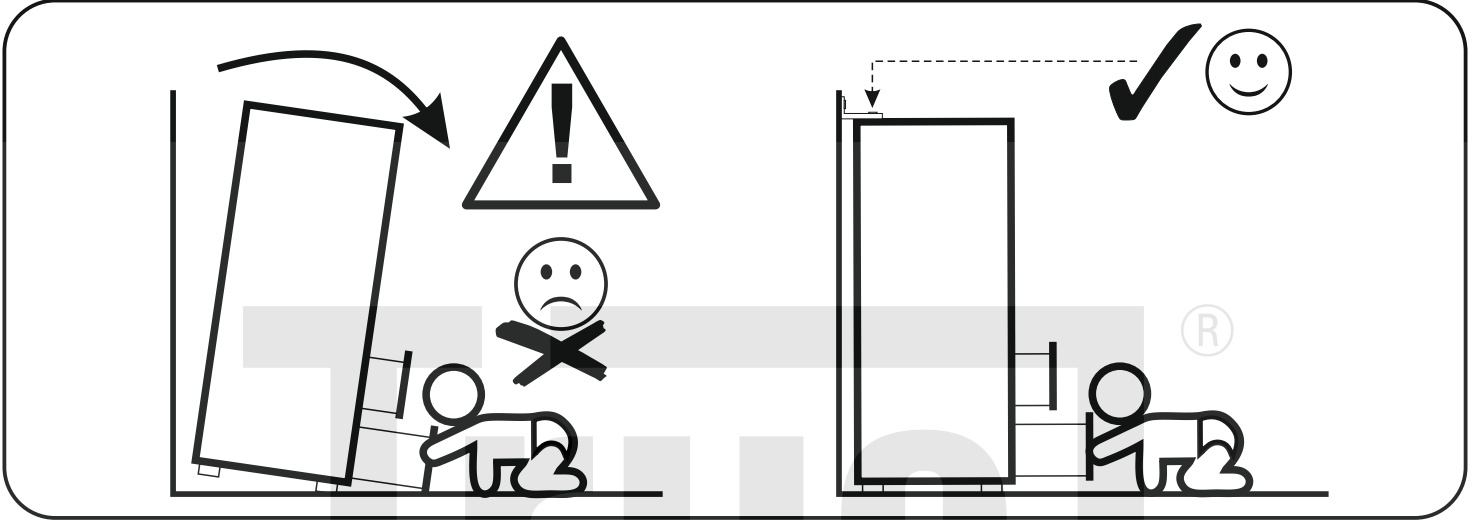
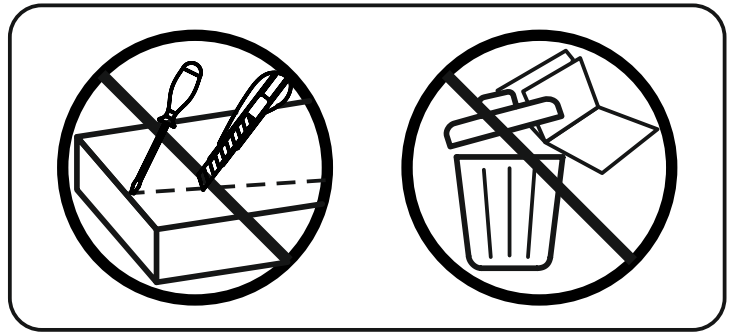
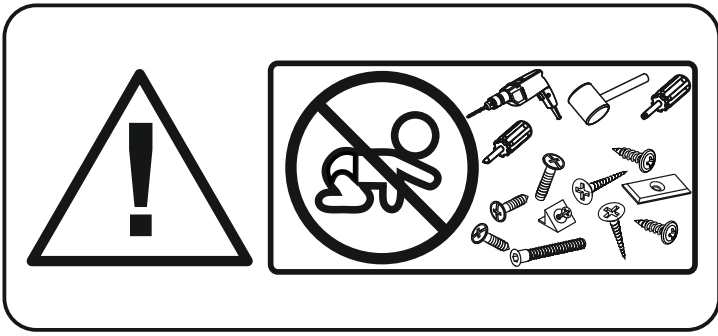
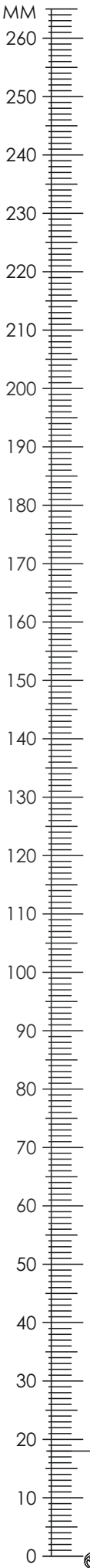


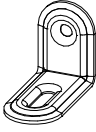
TYP 004-89-50-B

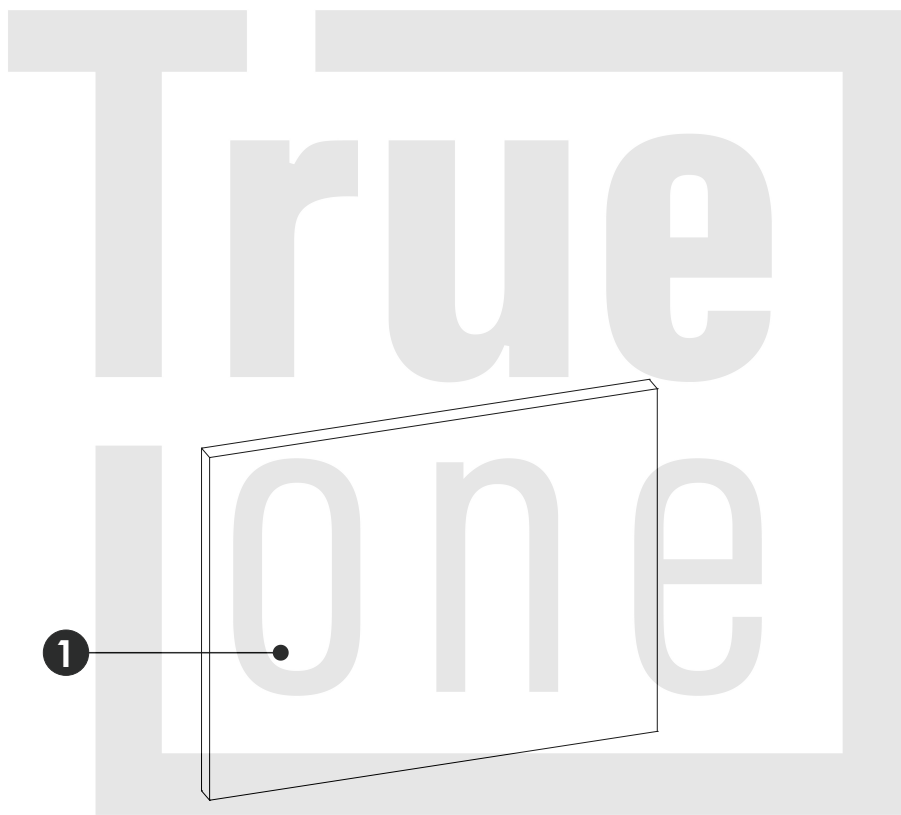




TYP 004-89-50-B



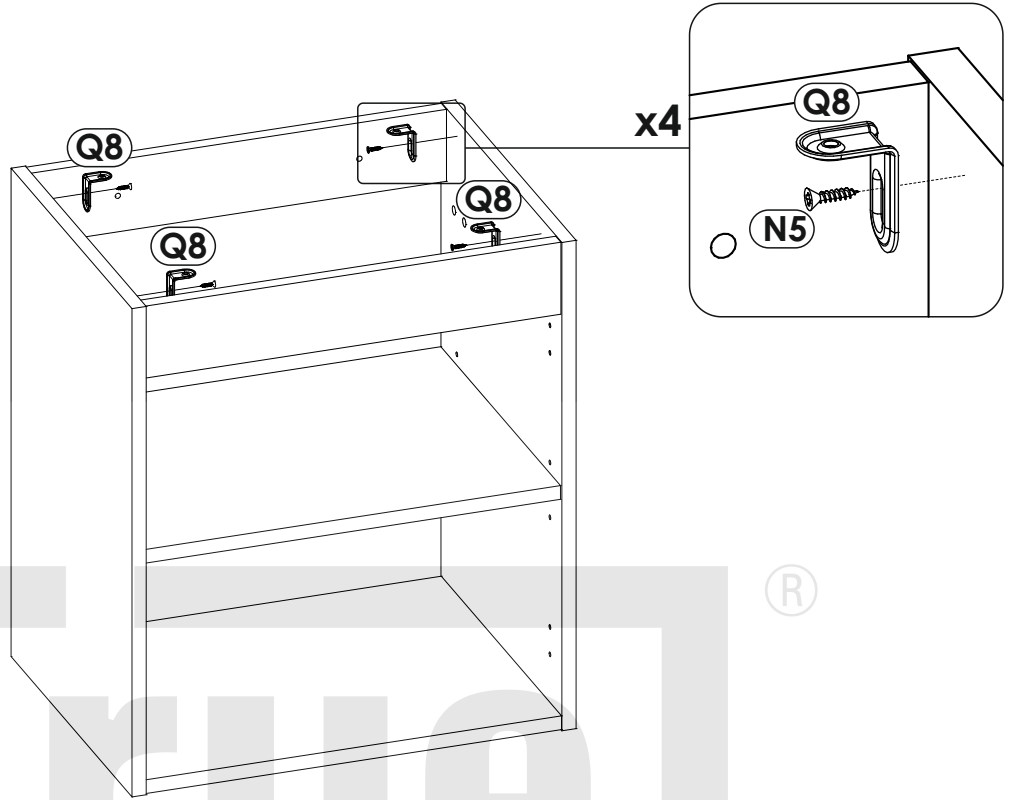
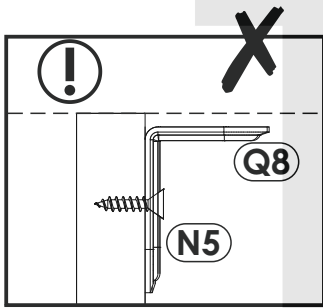
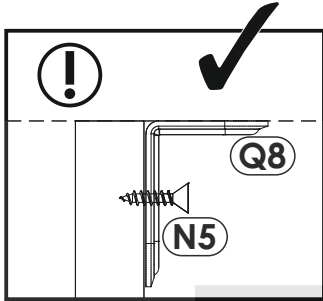
N5	3,5 x 16 mm	x8	Q8		x4
-----------	-------------	----	-----------	---	----



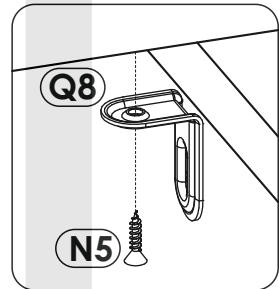
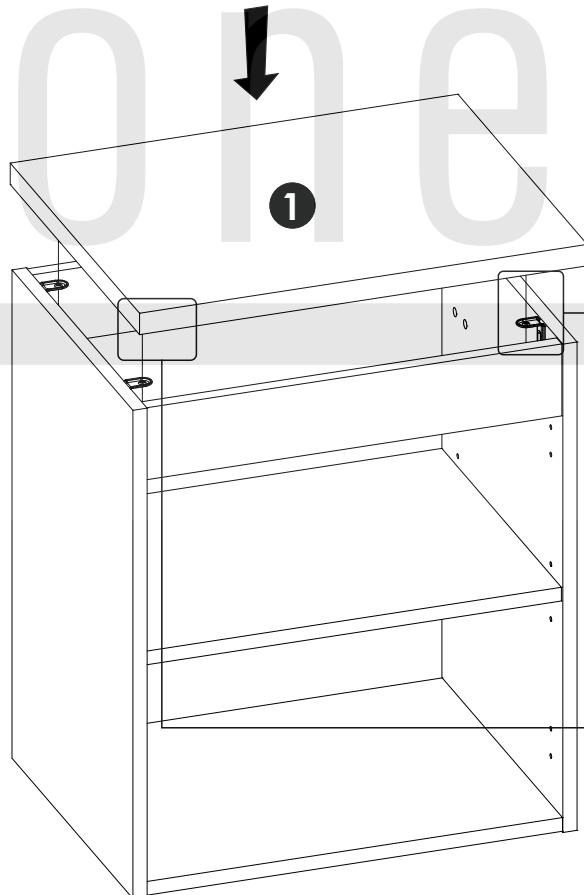
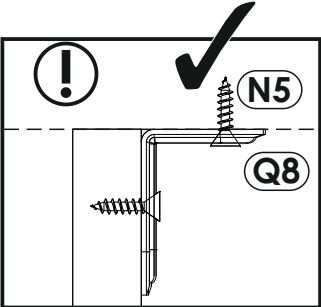
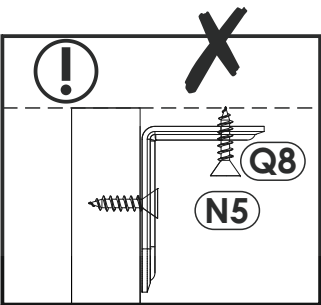
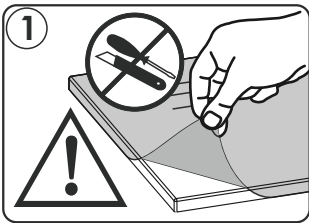
1	504	400	25	x1	1/1
----------	-----	-----	----	----	-----



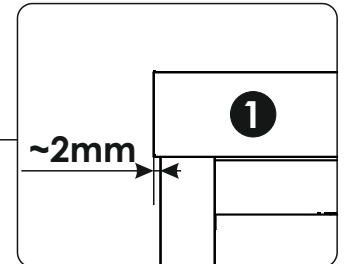
1 ▶



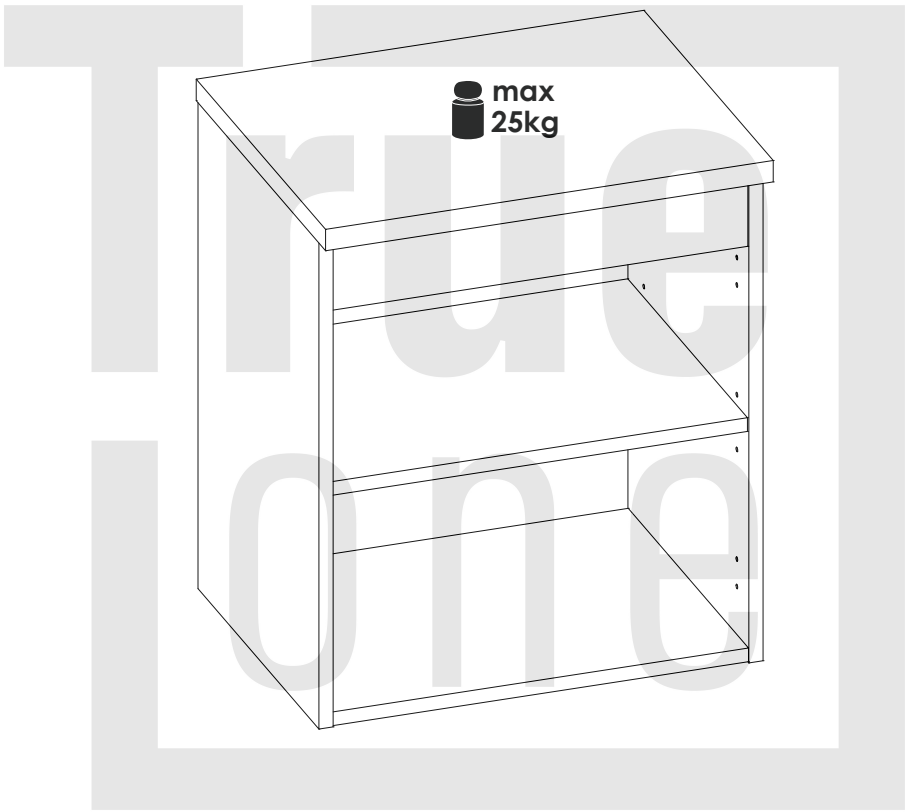
2 ▶



x4

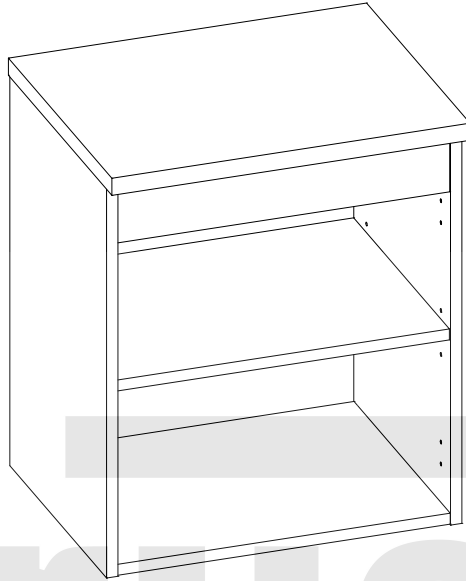
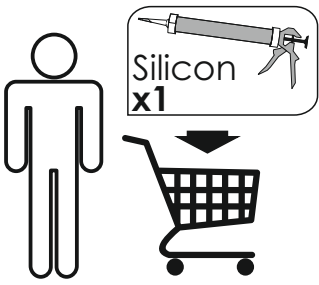


3 ▶



®





®

