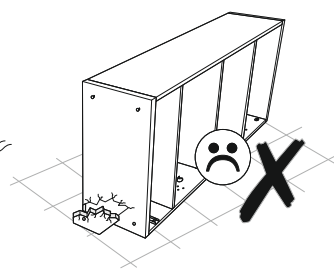
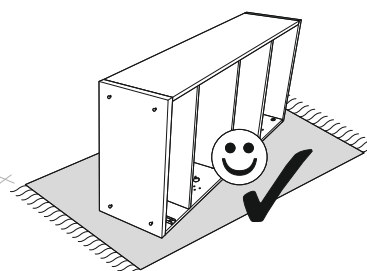
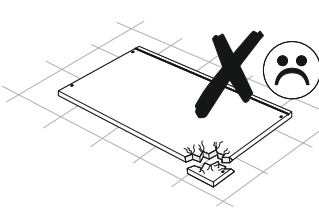
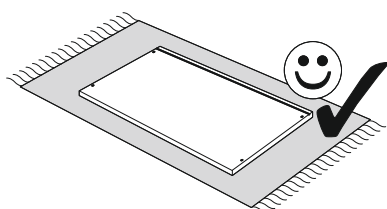
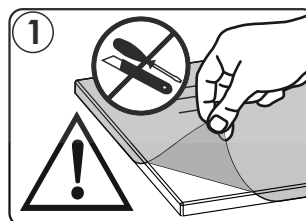
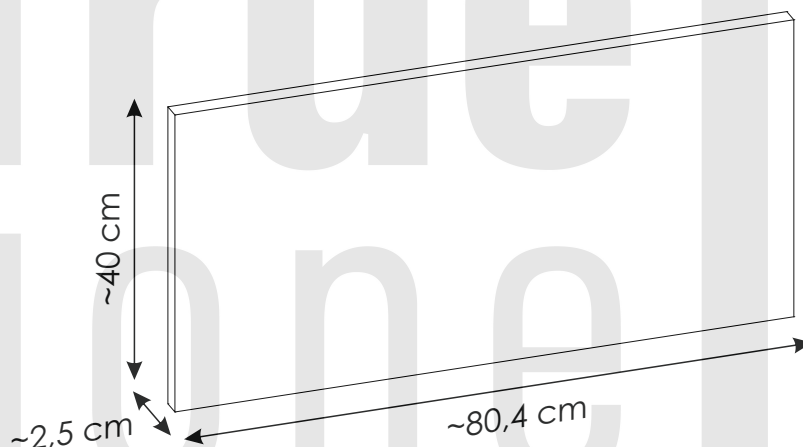
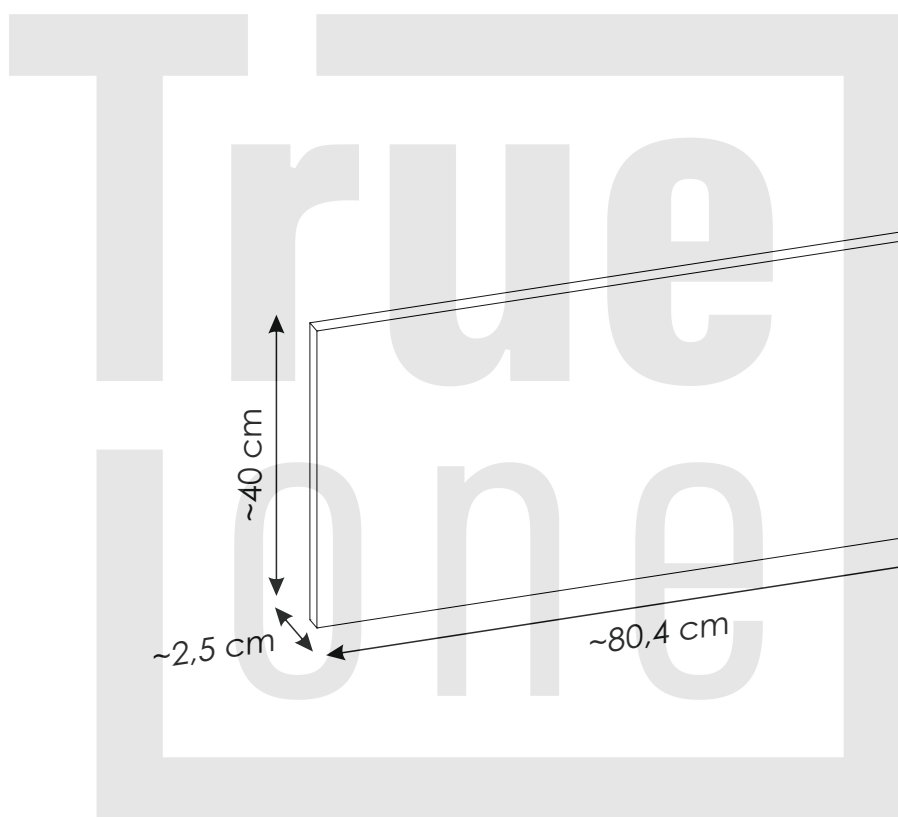
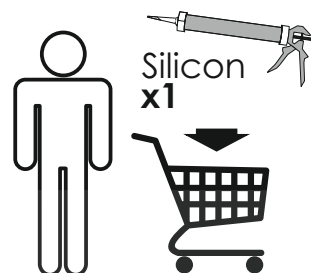
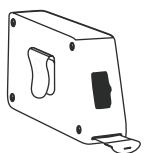
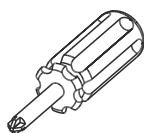
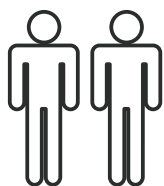
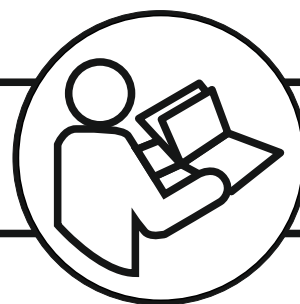
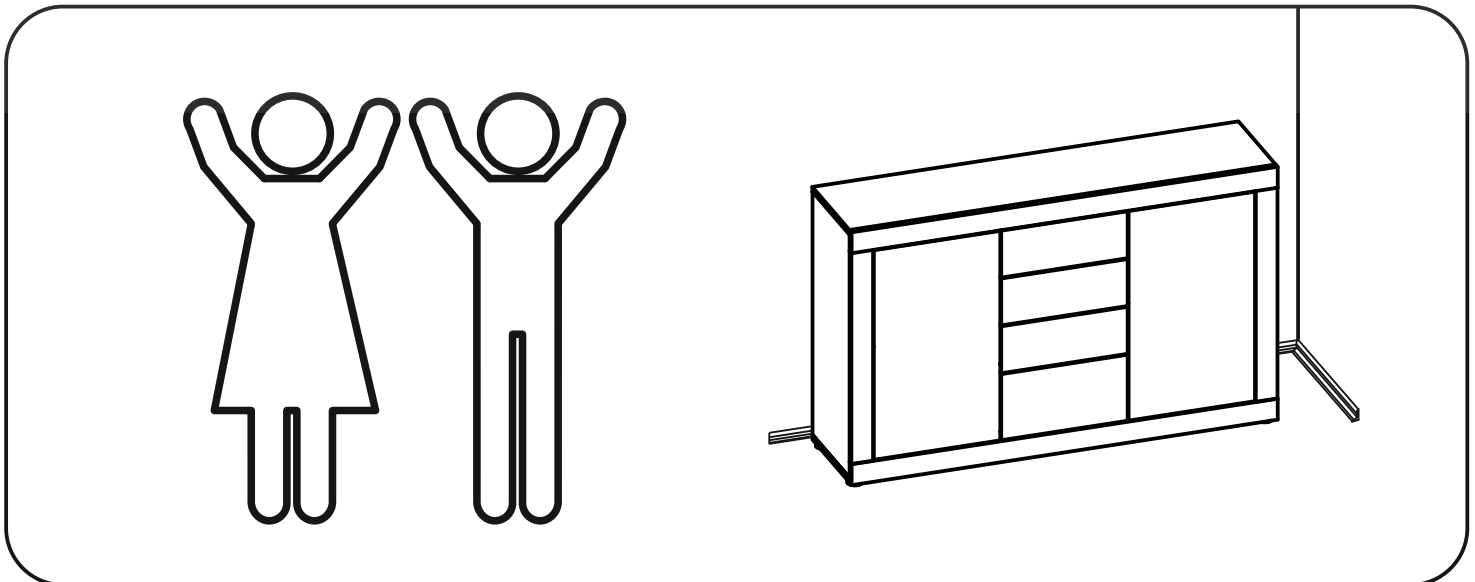
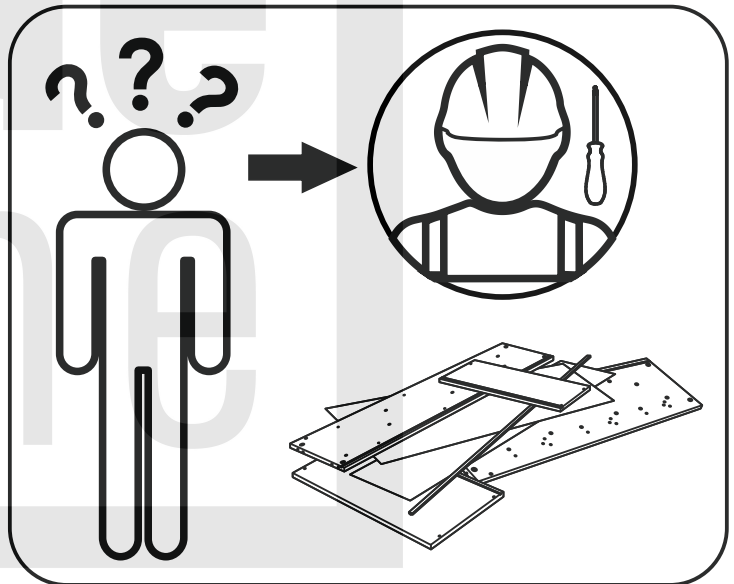
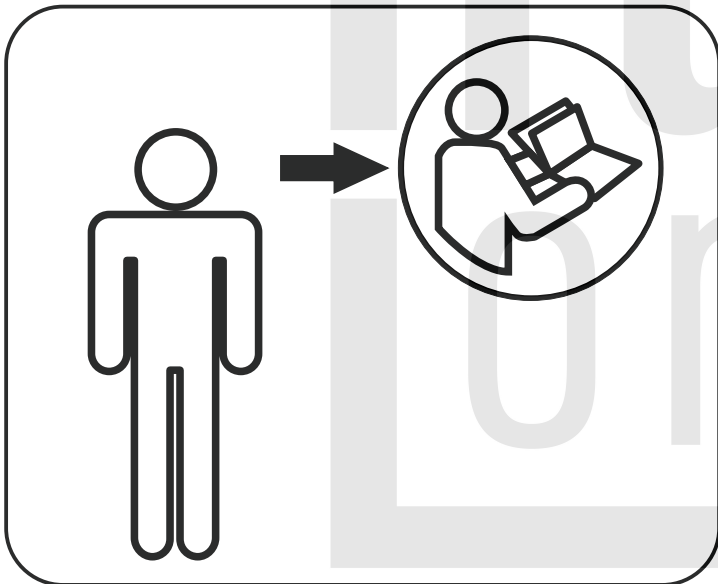
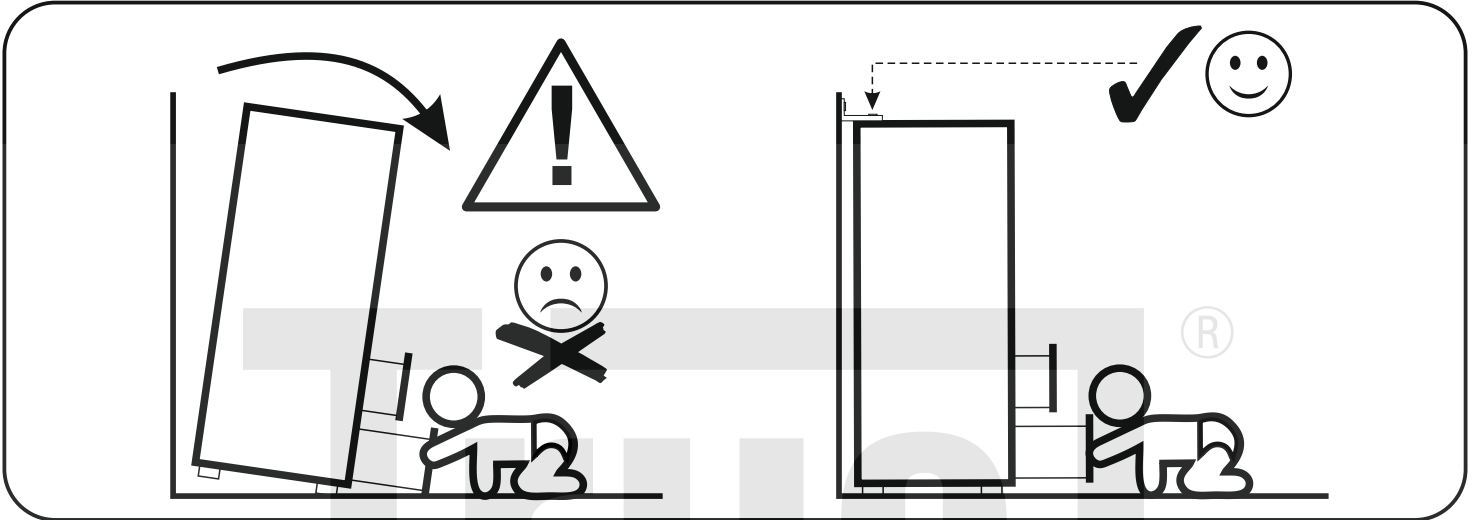
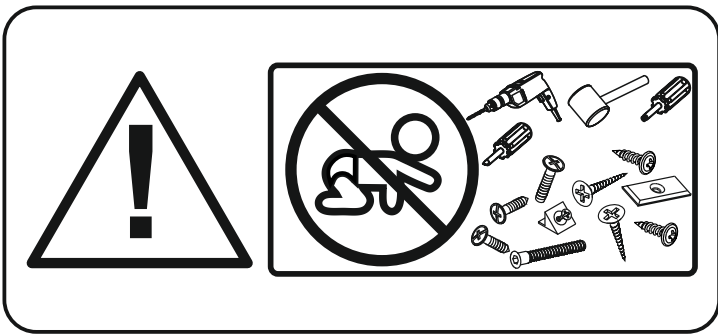
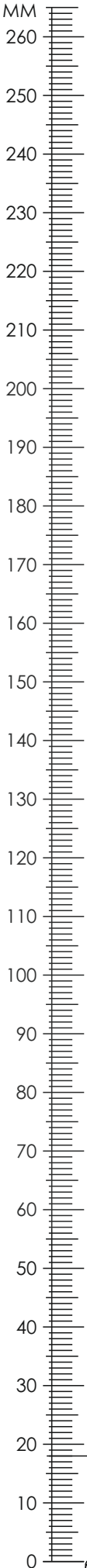


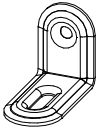
TYP 004-89-80-B

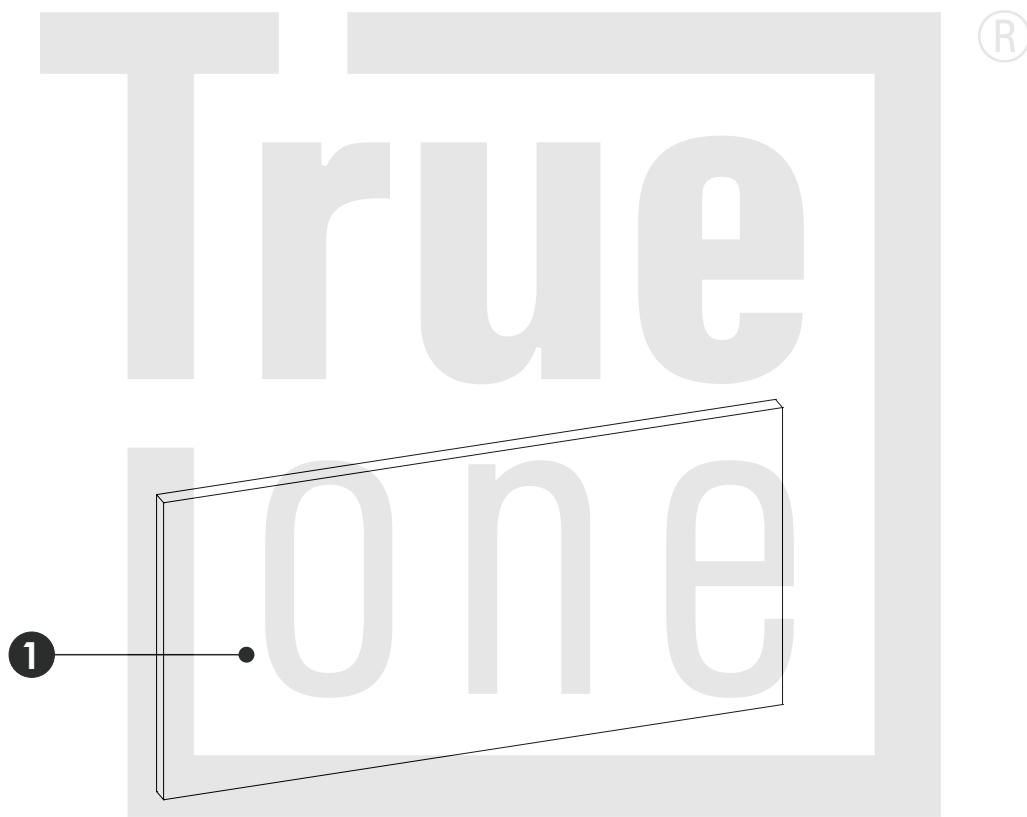




TYP 004-89-80-B



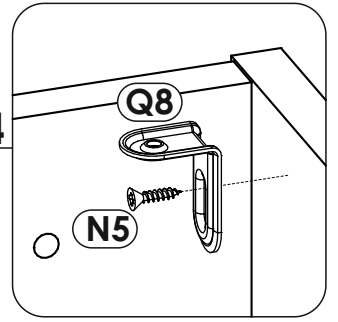
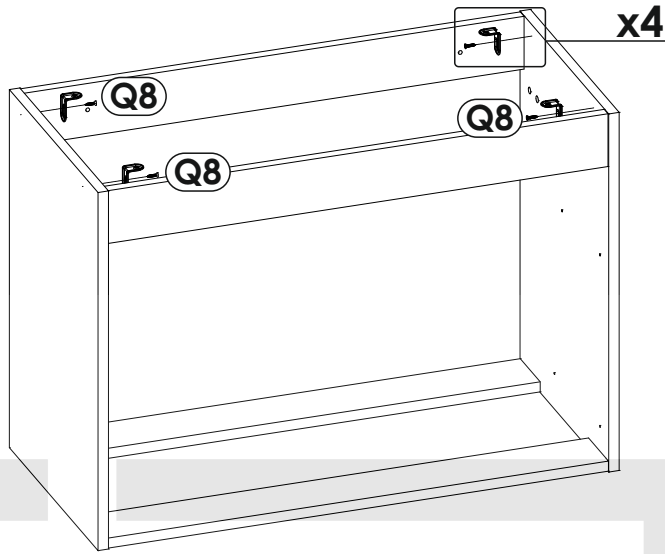
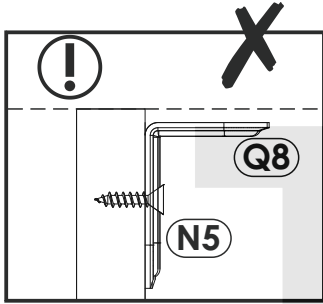
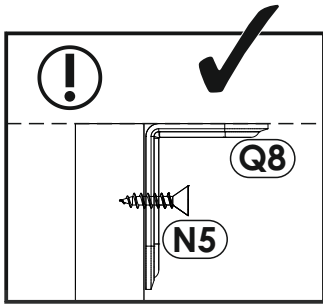
N5	3,5 x 16 mm	x16	Q8		x8
-----------	-------------	-----	-----------	---	----



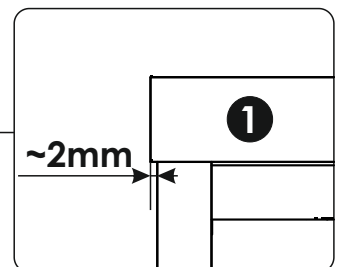
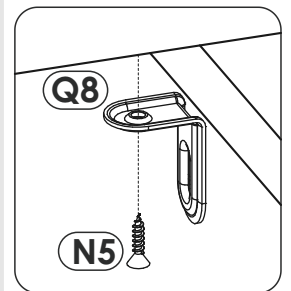
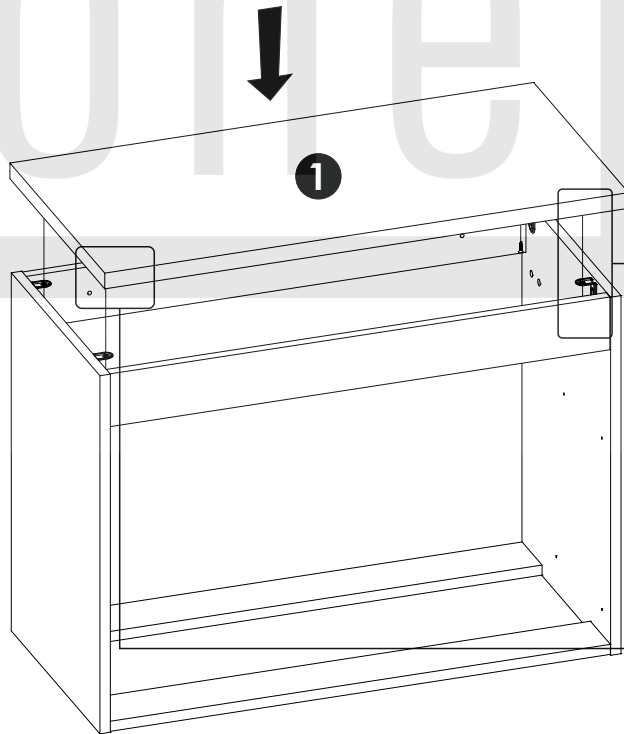
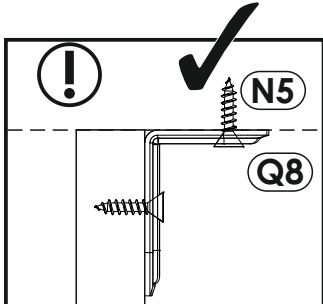
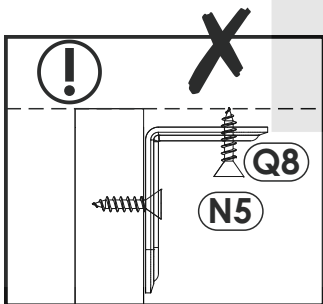
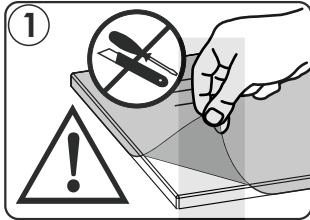
1	804	400	25	x1	1/1
----------	-----	-----	----	----	-----



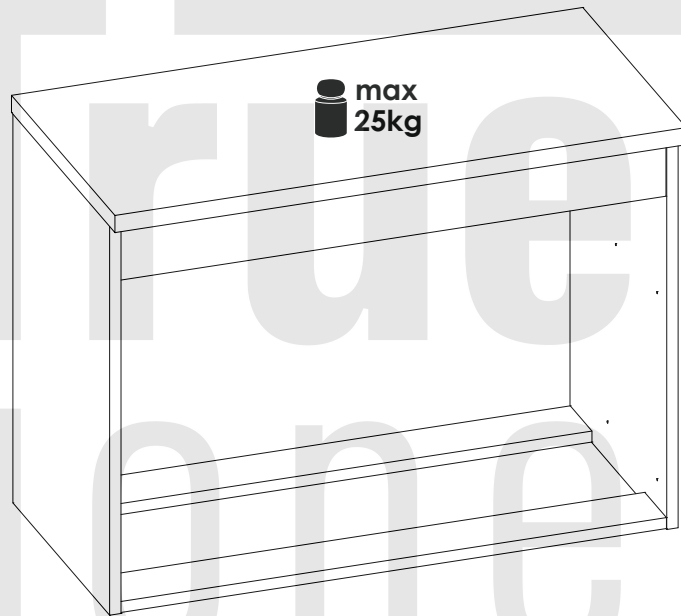
1 ▶



2 ▶

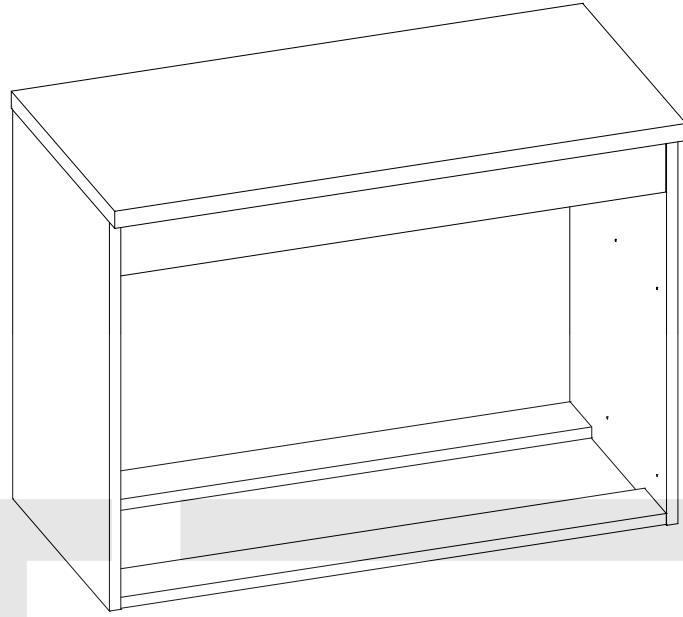
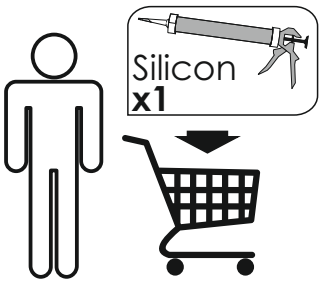


3 ▶



®





®

