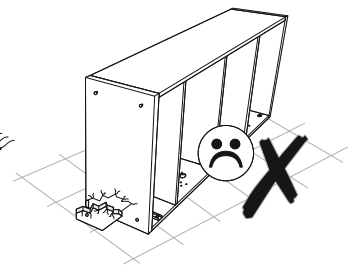
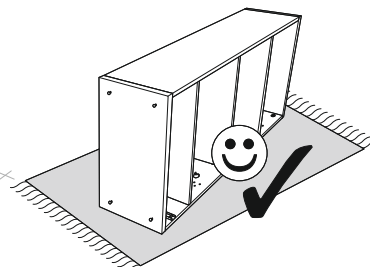
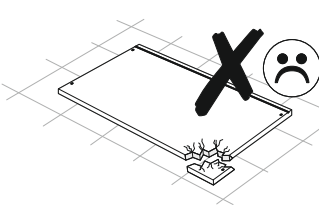
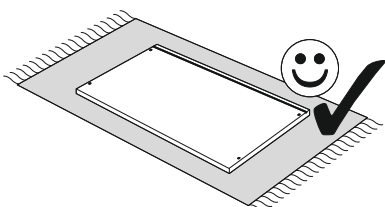
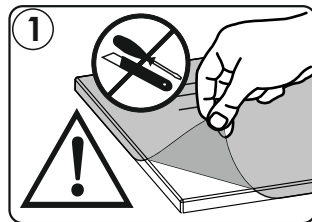
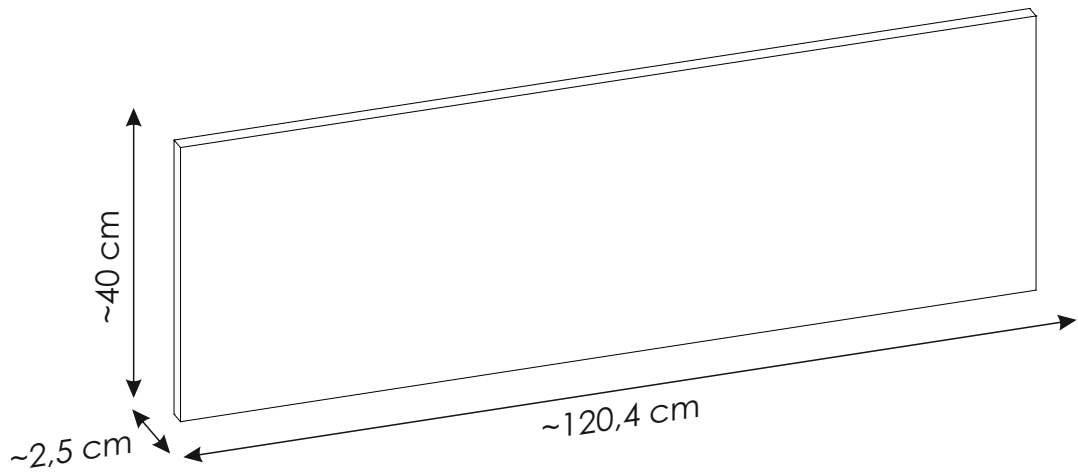
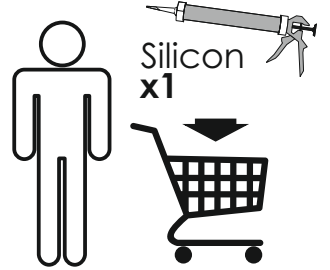
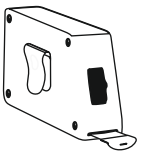
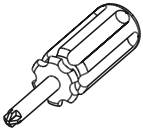
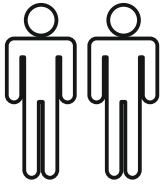
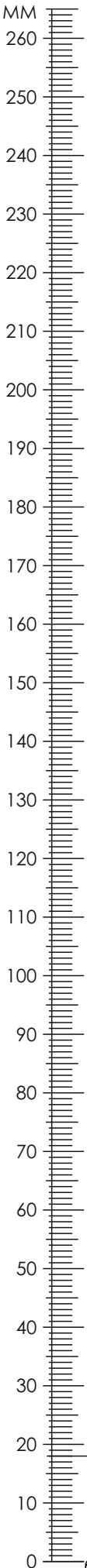



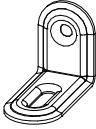
TYP 004-89-120-B

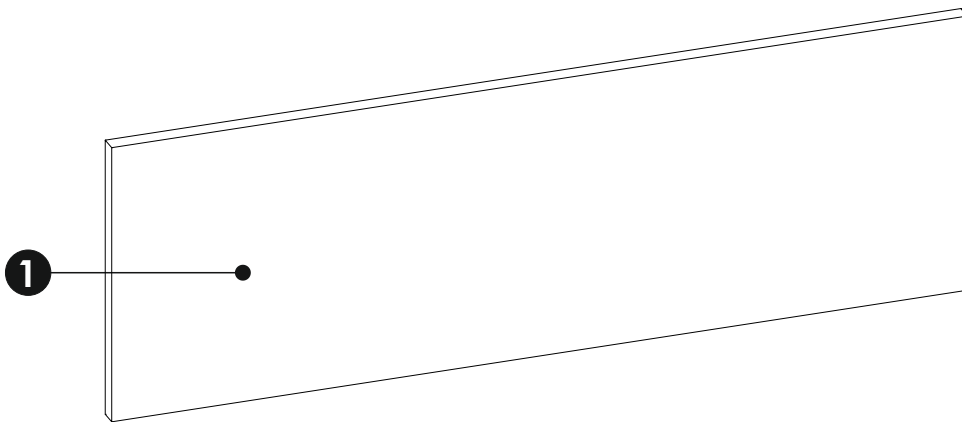




TYP 004-89-120-B



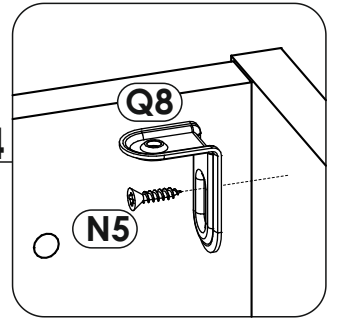
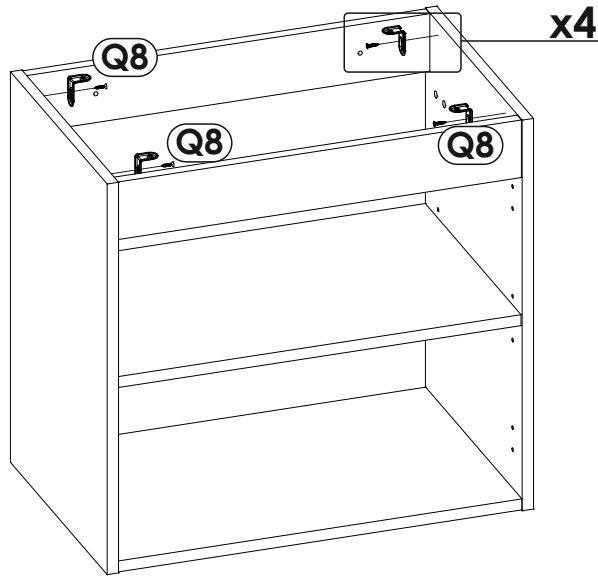
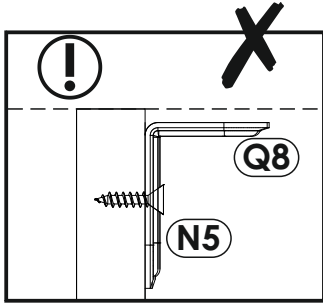
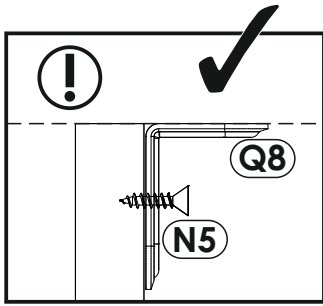
N5	3,5 x 16 mm	x24	Q8	x12
				



1	1204	400	25	x1	1/1
----------	------	-----	----	----	-----

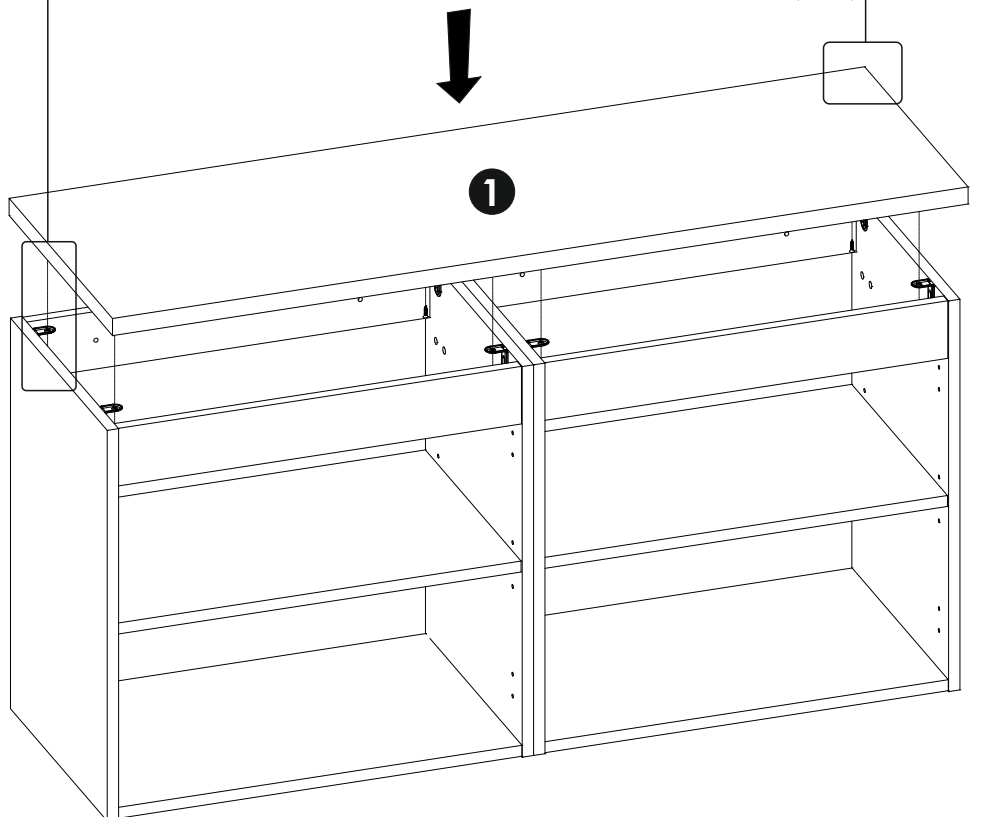
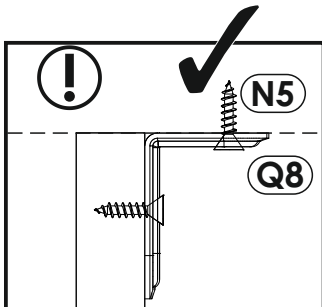
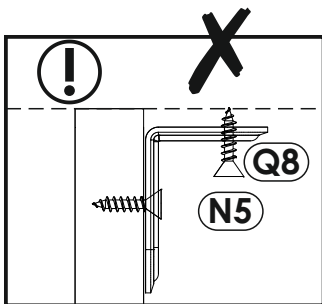
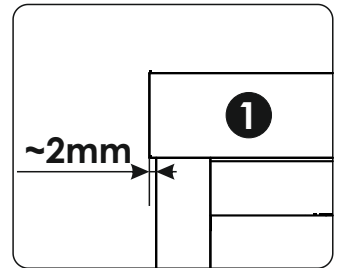
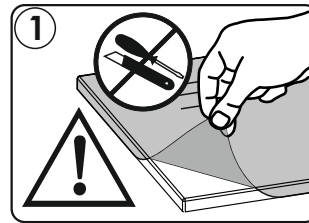
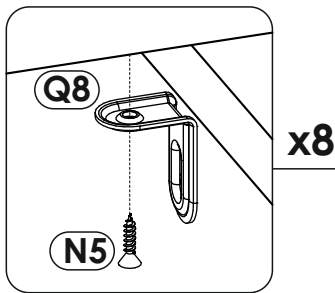


1 ▶

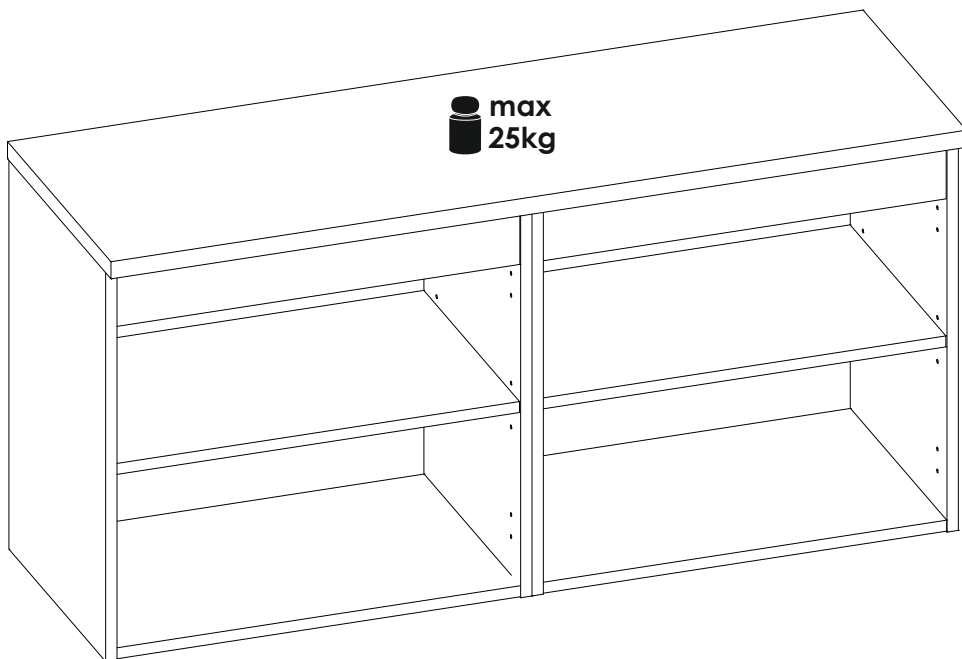


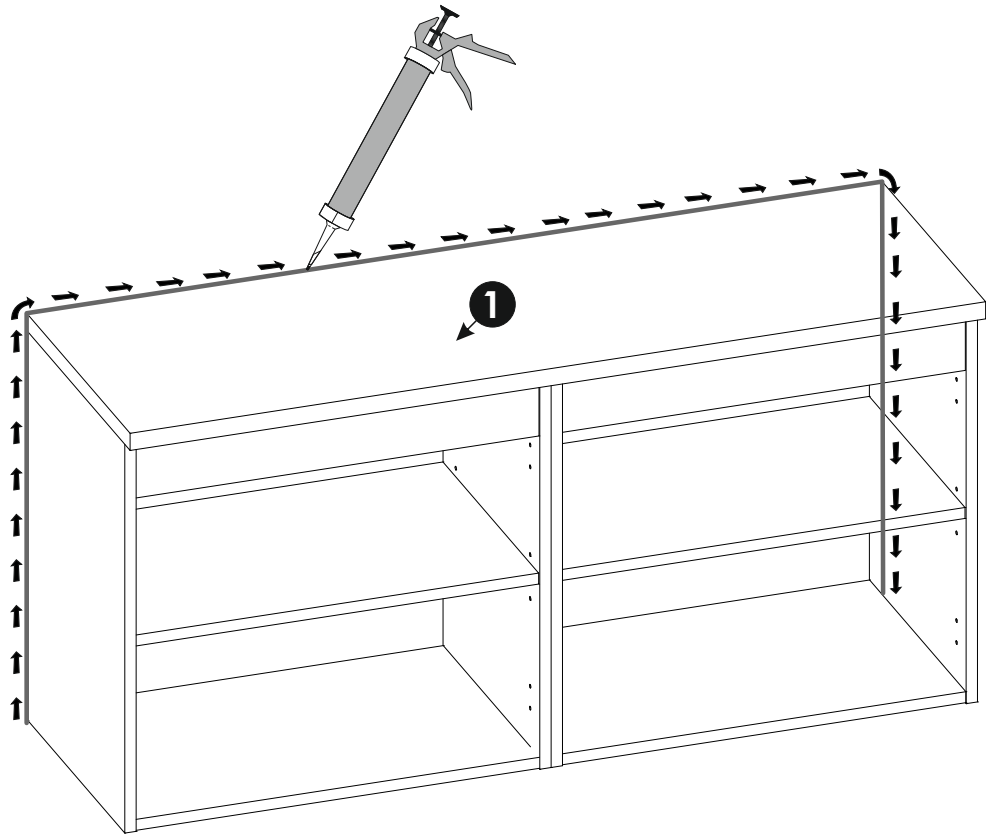
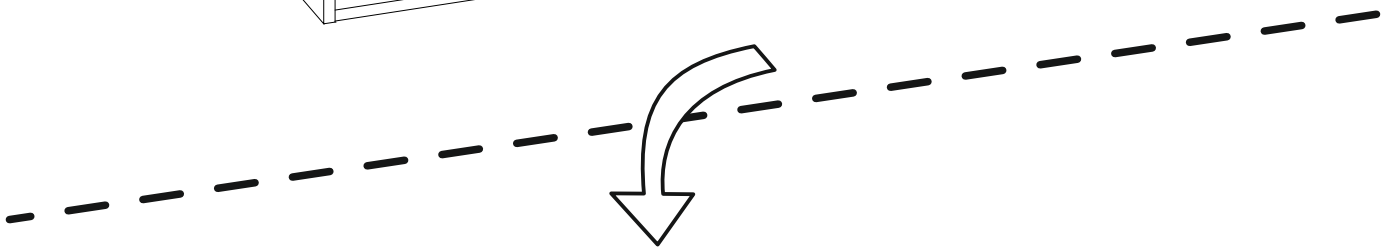
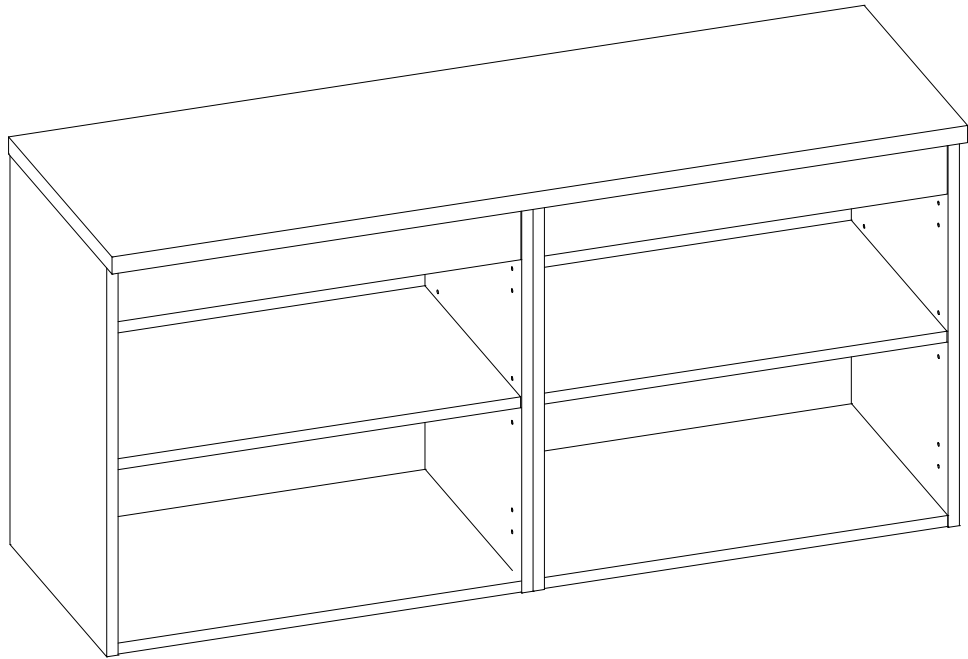
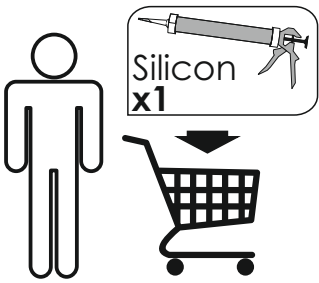
x2

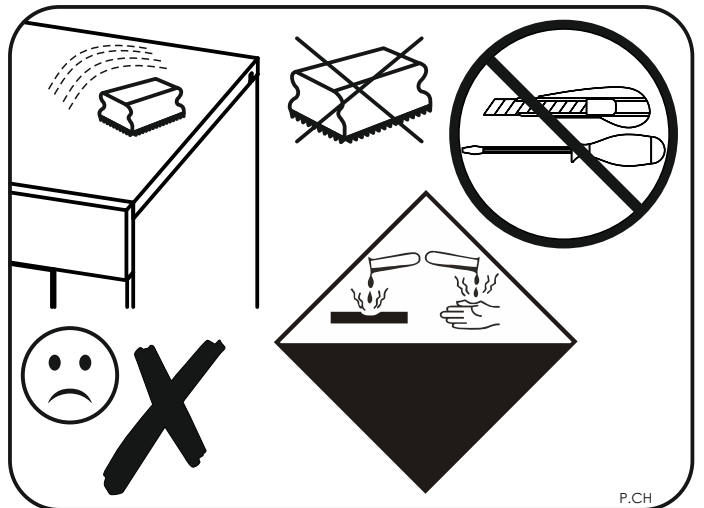
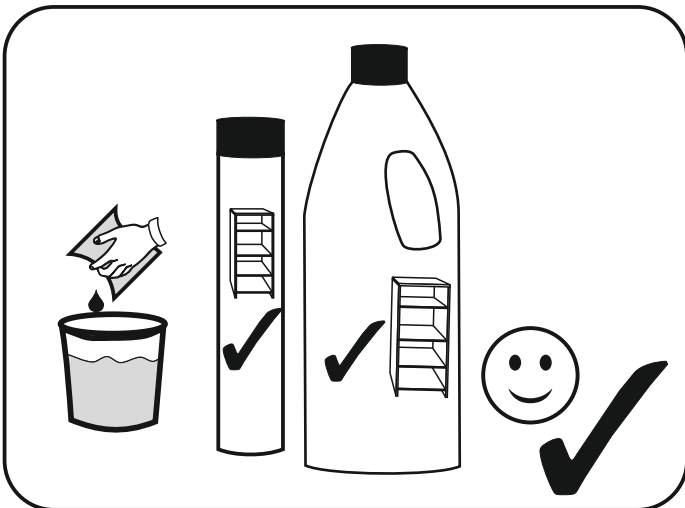
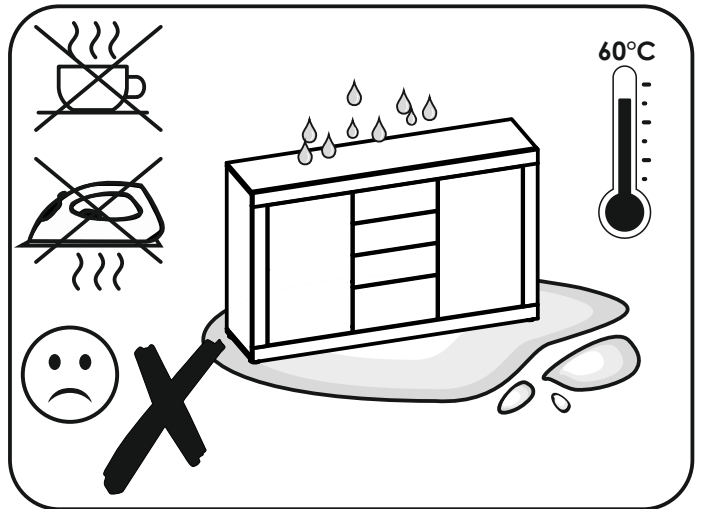
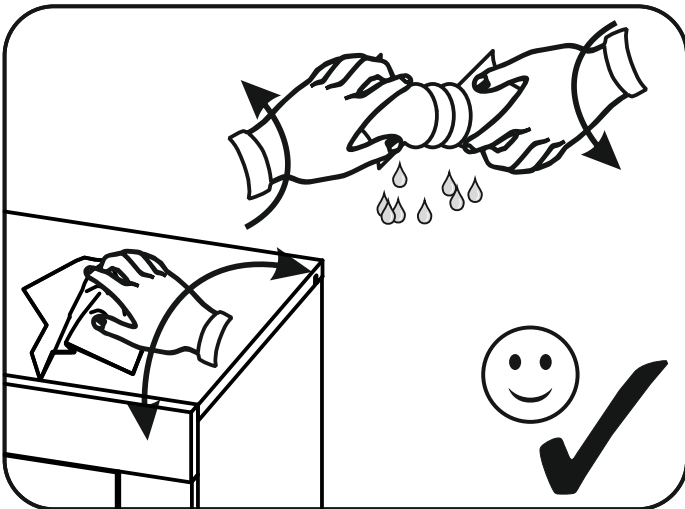
2 ▶



3 ▶







P.CH