
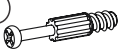







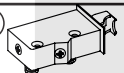


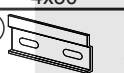

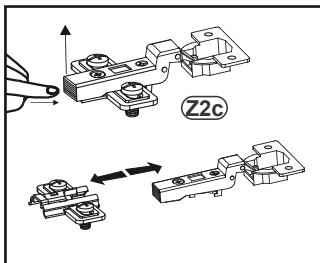
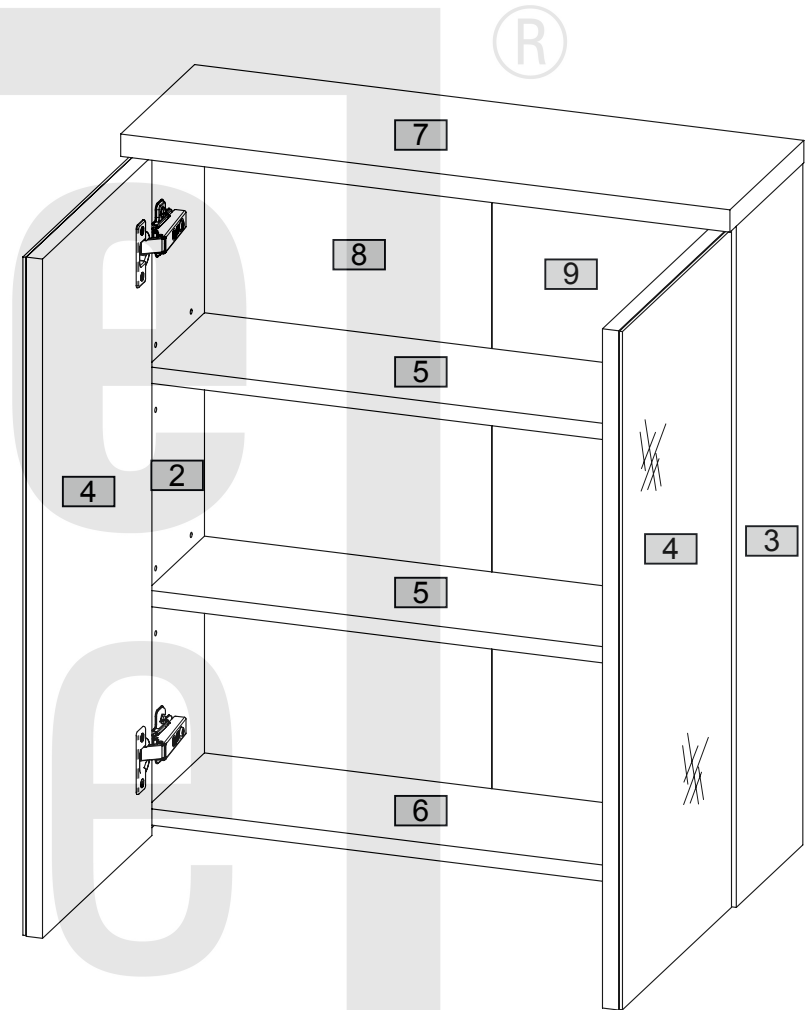


- (B1)**  ϕ 8x28 x8
- (T1)**  x6
- (M1)**  x6
- (C2)**  ϕ 20 x6
- (W1)**  x8
- (J23)**  x6
- (P2)**  3x16 x5

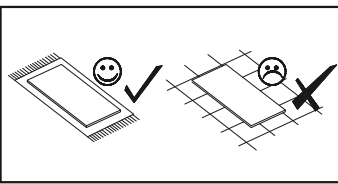
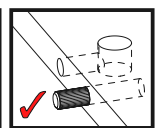
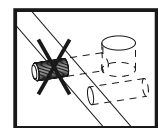
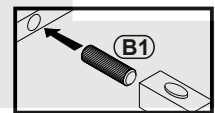
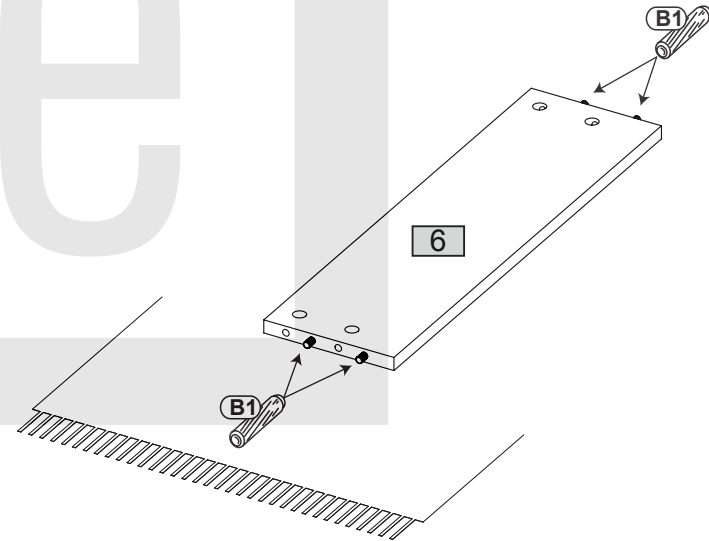
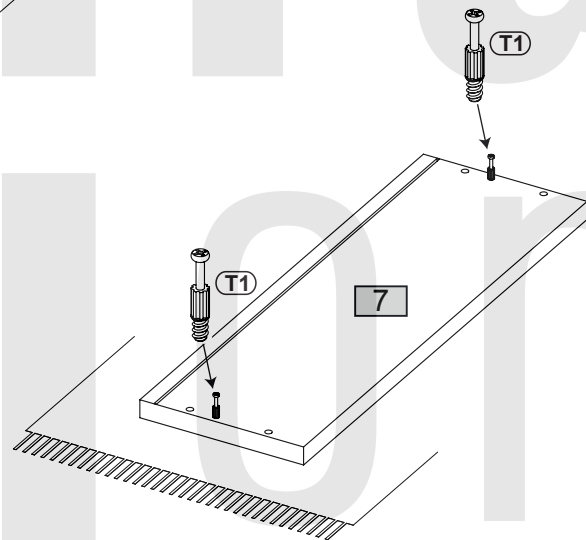
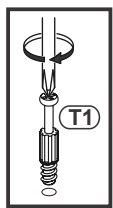
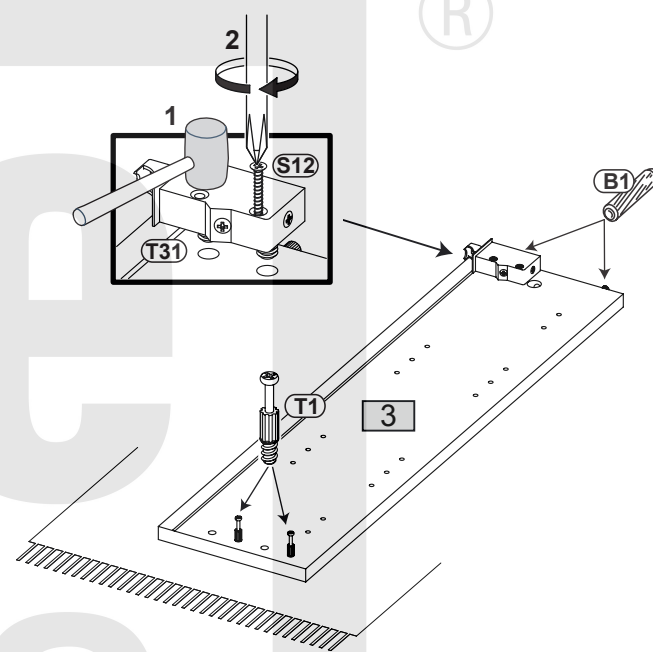
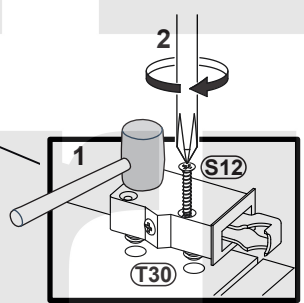
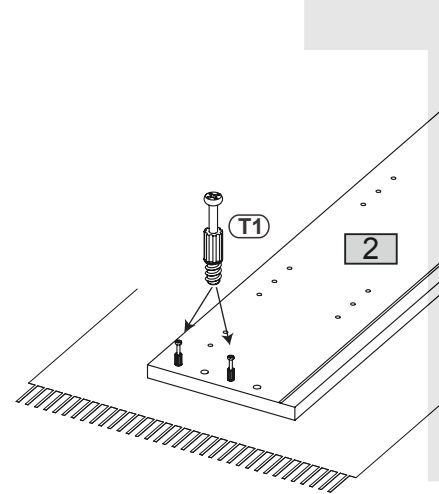
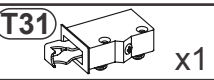
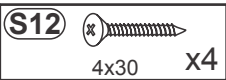
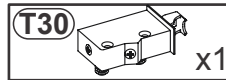
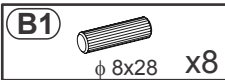
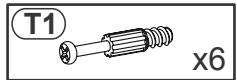
- (Z2c)**  x4
- (S9)**  4x16 x8

- (T30)**  x1
- (T31)**  x1
- (S12)**  4x30 x4
- (F33)**  x2
- (T17)** ϕ 8x50
5x60  x4

Nr	Ausmaß			St
2	672	180	16	1
3	672	180	16	1
4	669	296	20	2
5	566	155	16	2
6	566	159	16	1
7	600	200	22	1
8	669	290	2	1
9	669	290	2	1

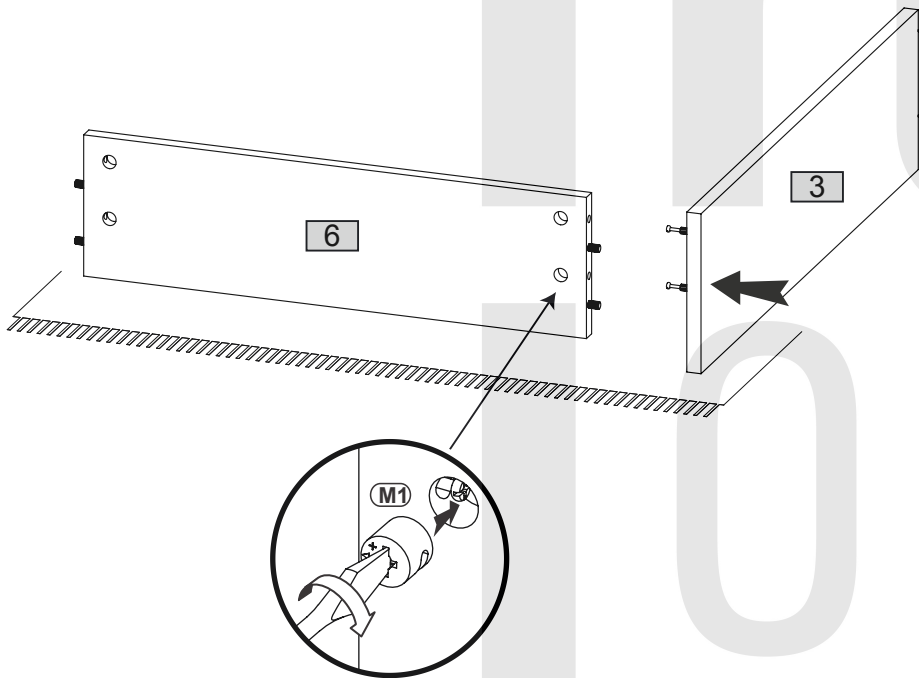


1



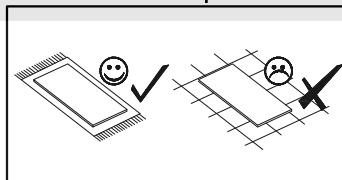
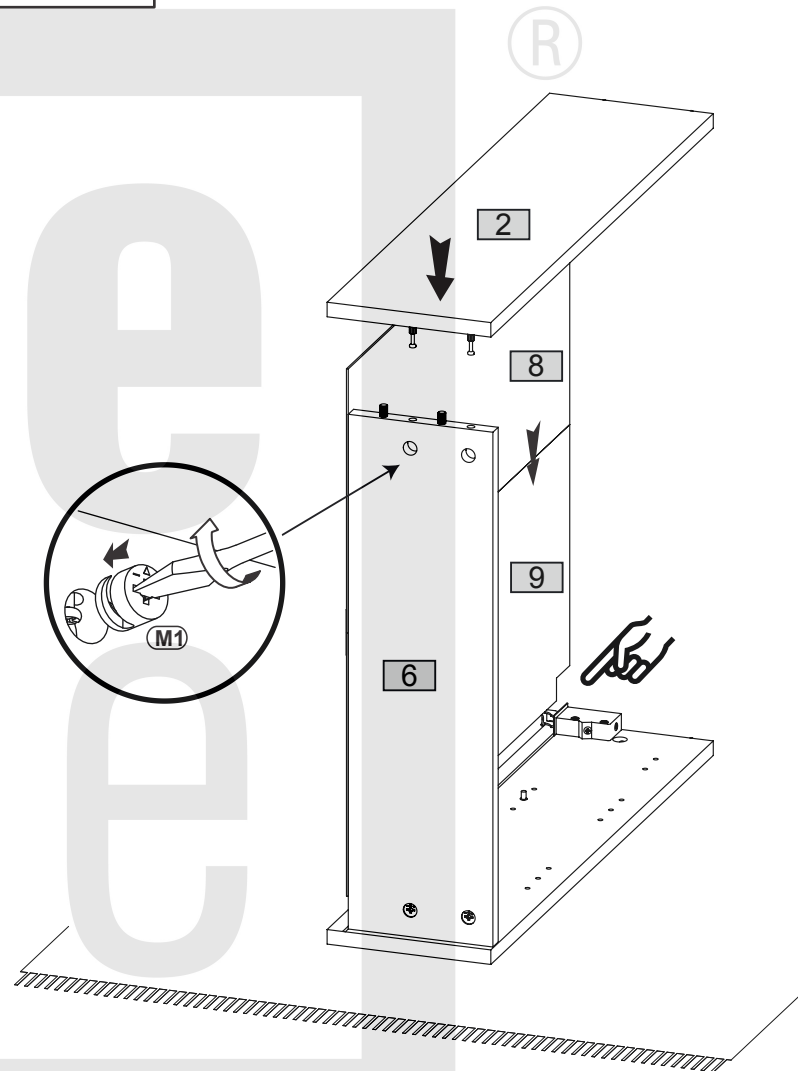
2

M1  x2

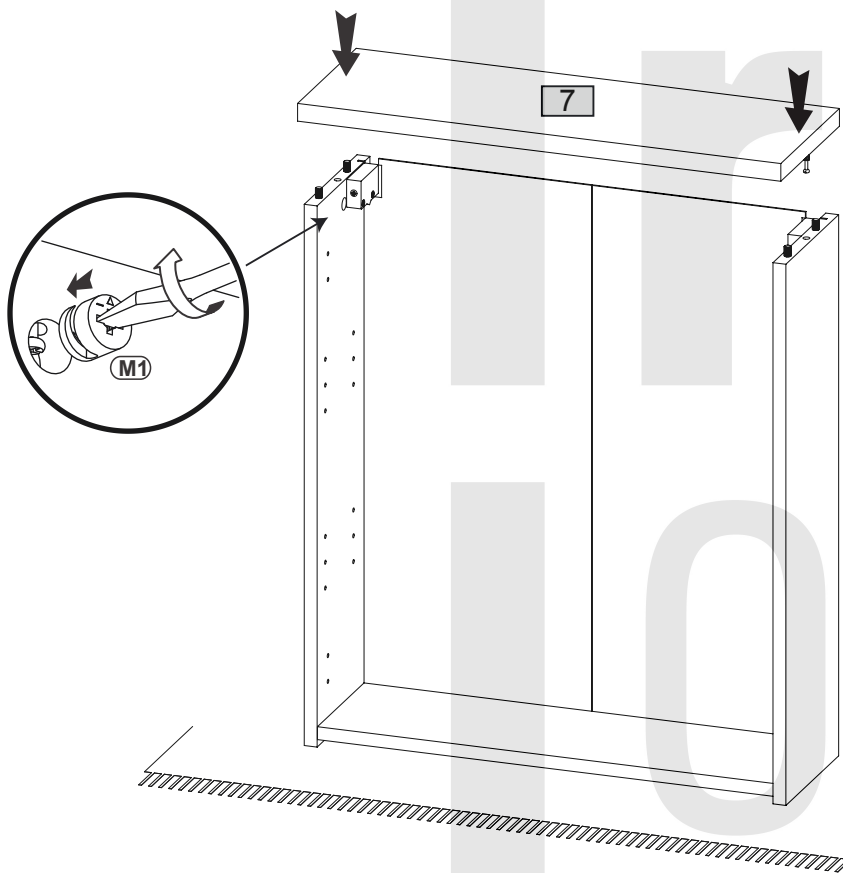


3

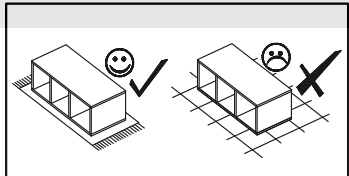
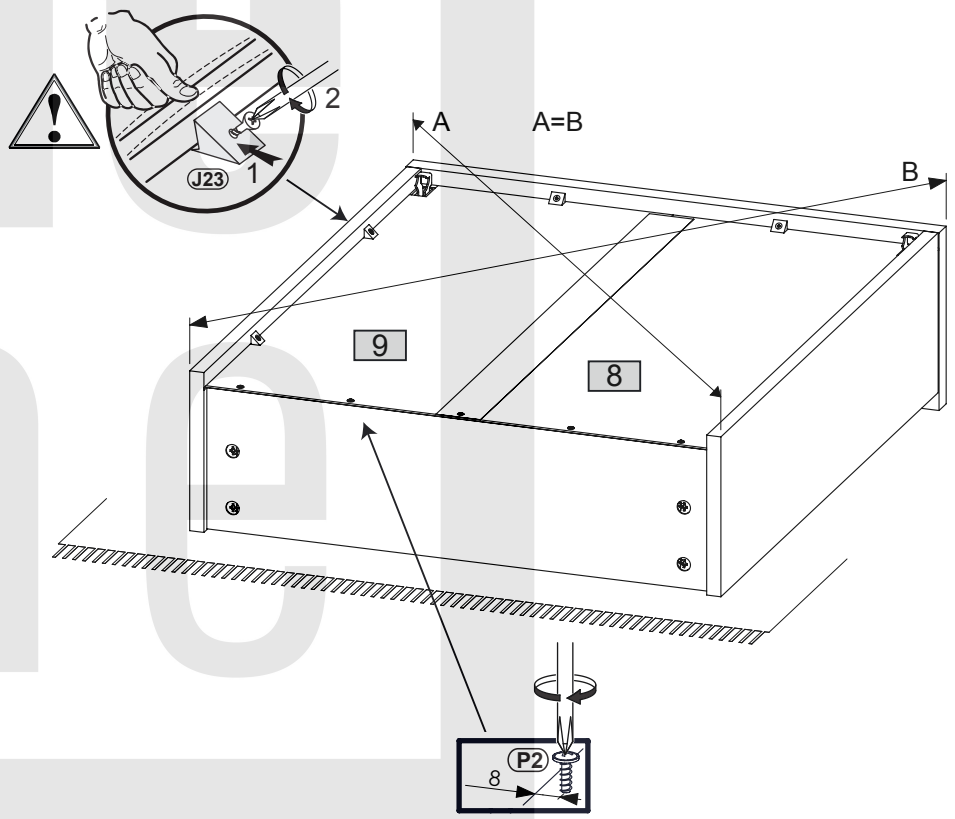
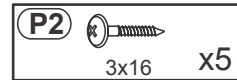
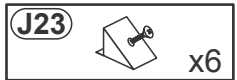
M1  x2



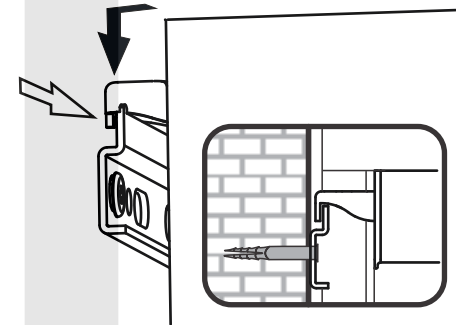
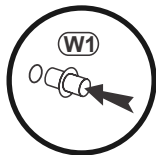
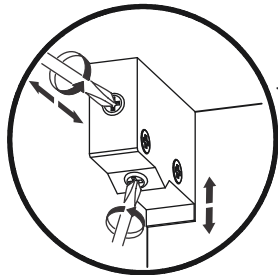
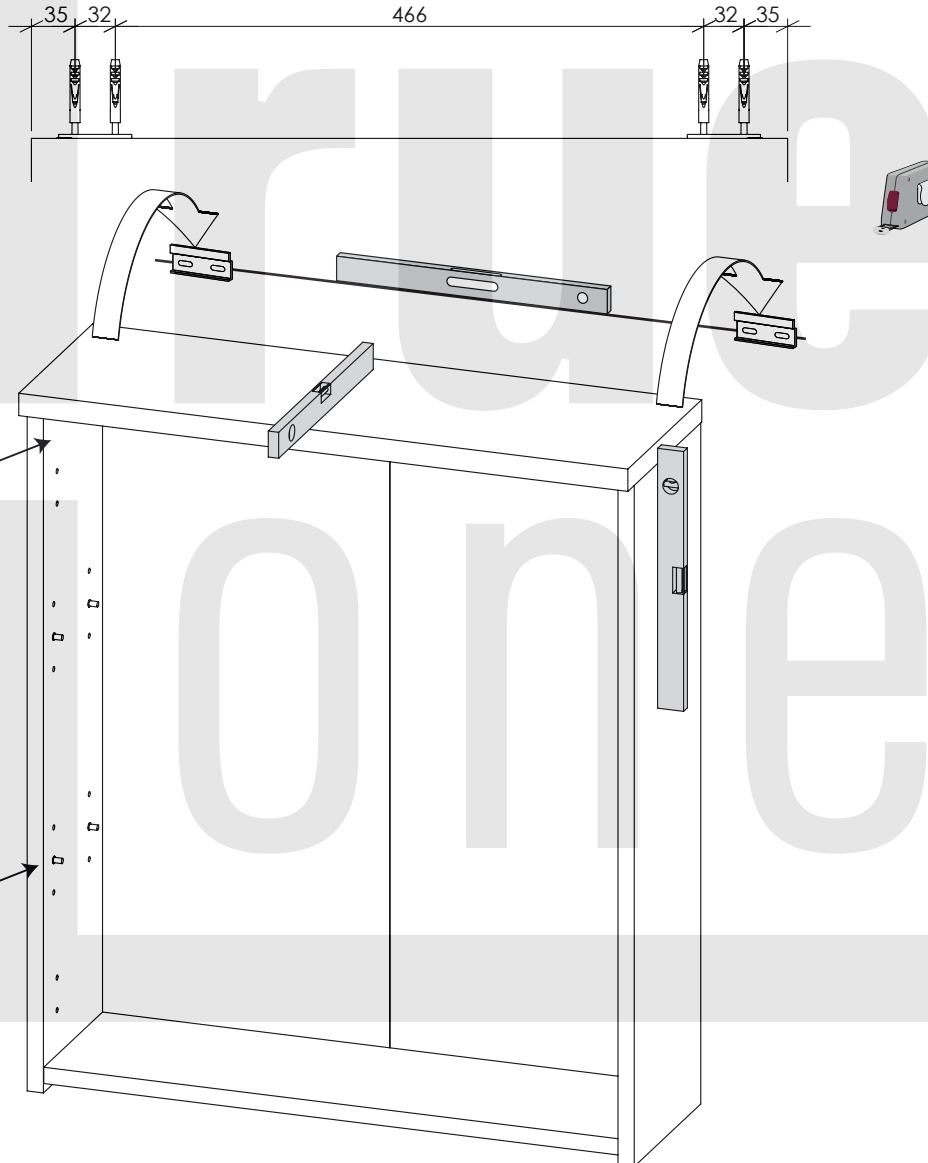
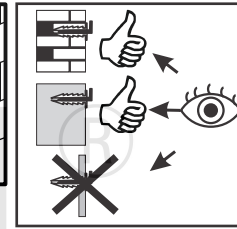
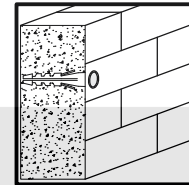
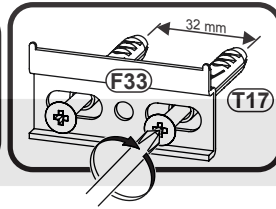
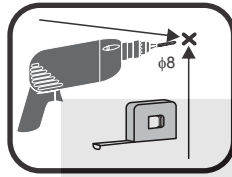
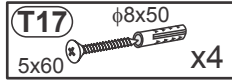
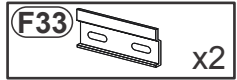
4



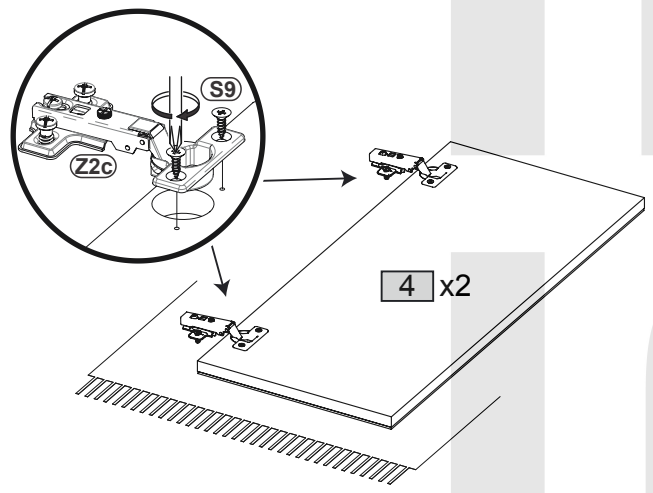
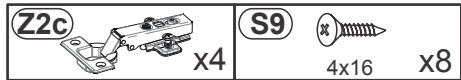
5



6



7



8

