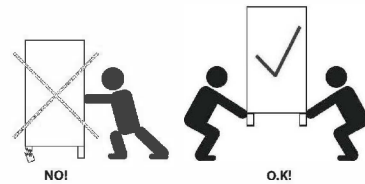
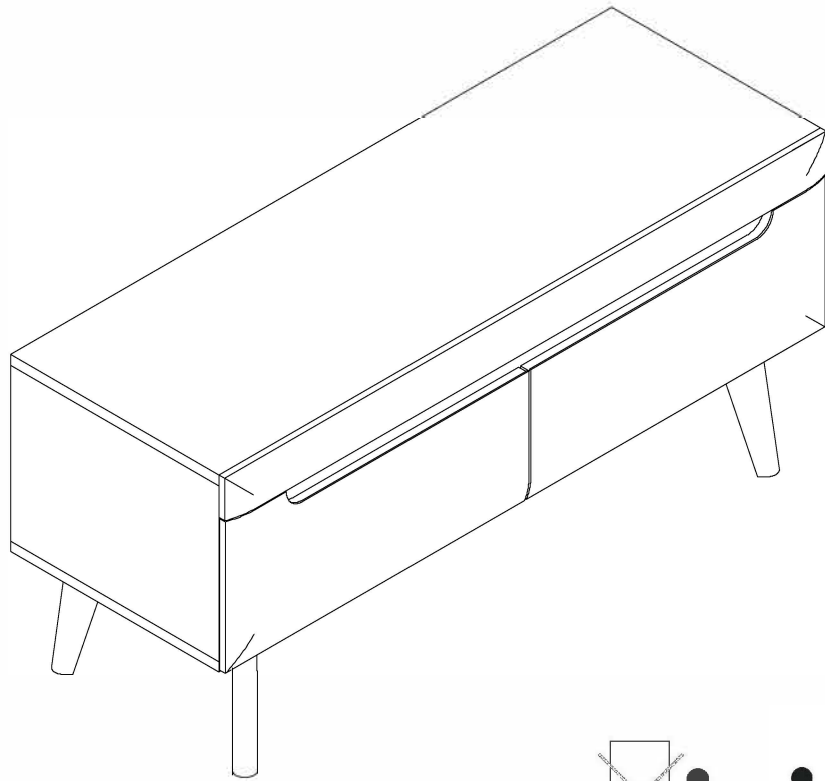


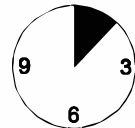
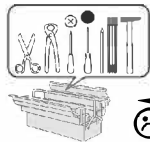
FJORD

NRTV107



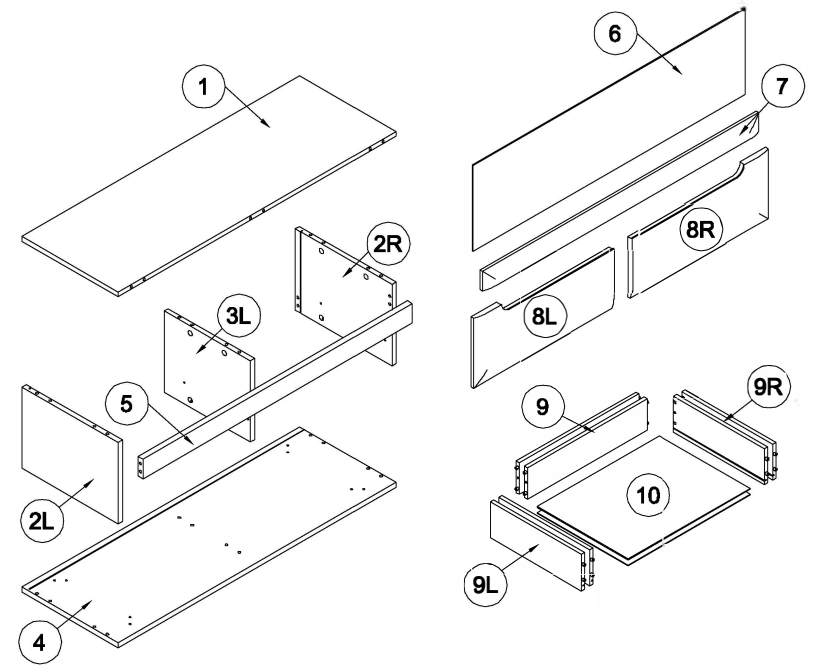
18.4.2017

- | | |
|---------------------------------------|-----------------------------------|
| D Montageanleitung | GB Assembly Instructions |
| FR Notice de montage | IT Istruzioni di montaggio |
| NL Handleiding voor de montage | PL Instrukcja montażu |
| CZ Montážní návod | SK Návod na montáž |
| HU Szerelési útmutató | RO Instrucțiuni de montaj |
| TR Montaj talimatı | RU Инструкции по монтажу |

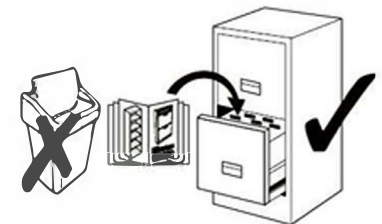
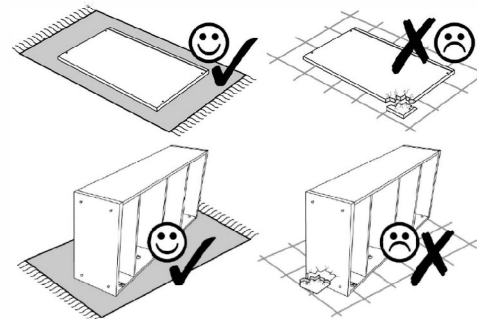


20 min.

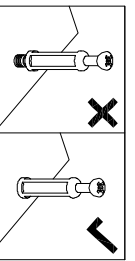
1



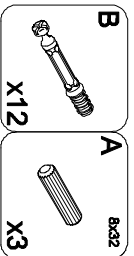
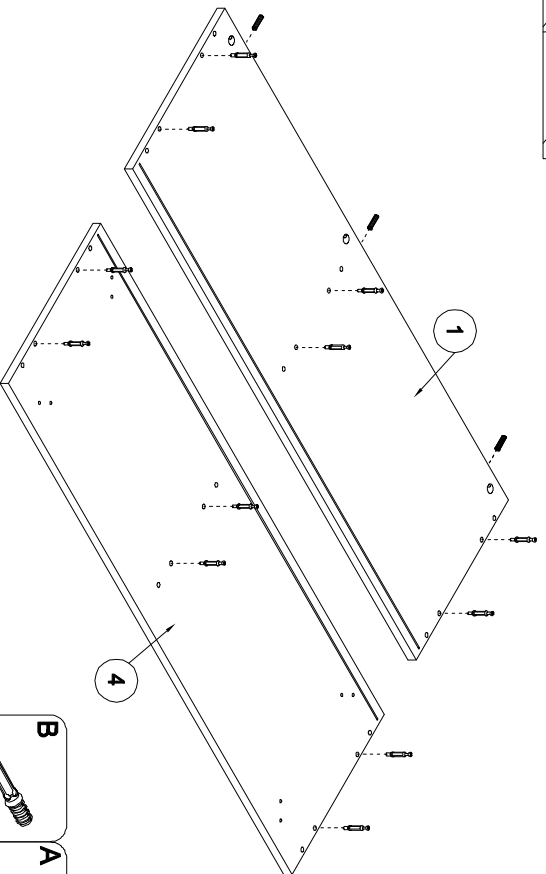
| | | | | | | | |
|------------------------|----------------------|---------------------|-----------------|-----------------|----------------------|----------------------|------------------|
| ND 3,5x16 x8 | GLUE x1 | N 3x20 x3 | TB x1 | TA x1 | NA 4x13 x1 | V 3x13 x12 | PPW x4 |
| B x15 | A 8x32 x19 | C x15 | Z x15 | HD x8 | NGD x4 | N 3x20 x3 | X x6 |



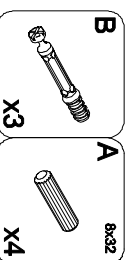
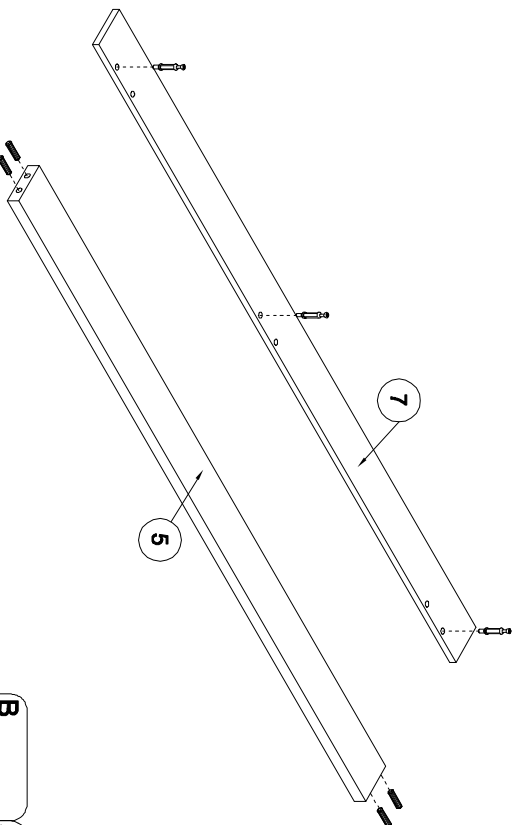
2



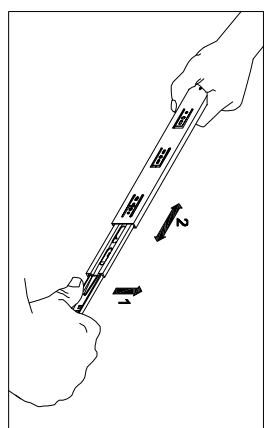
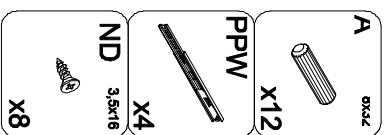
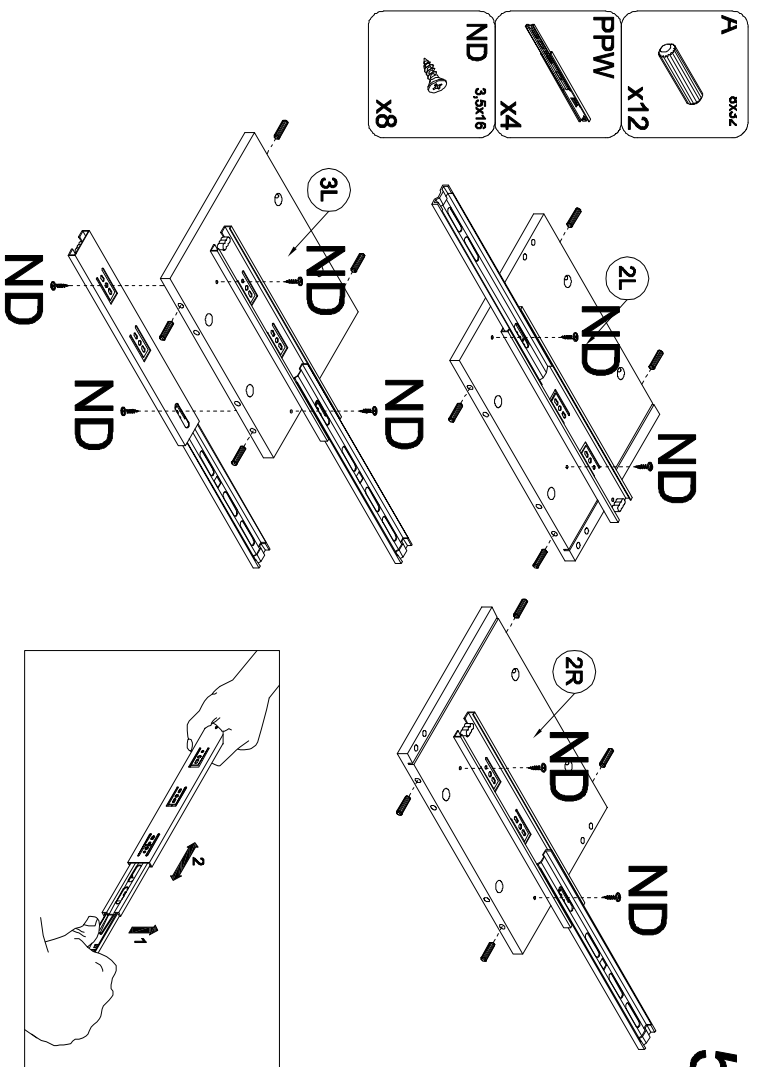
3



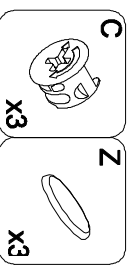
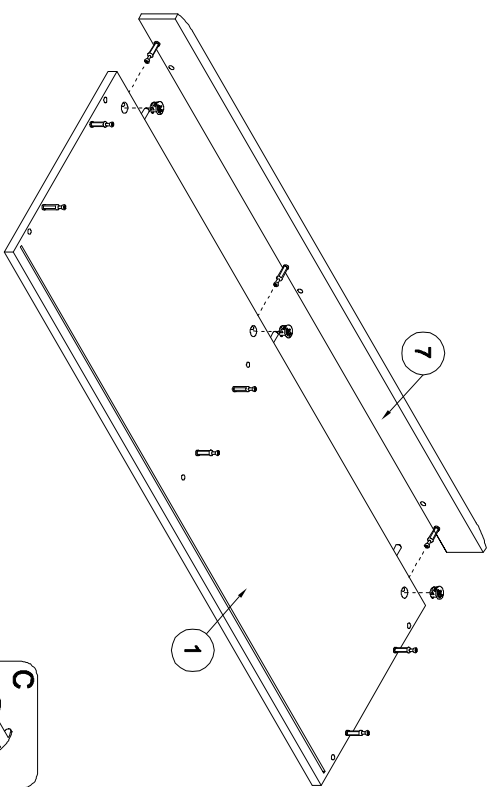
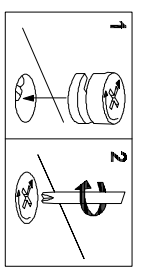
4



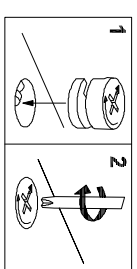
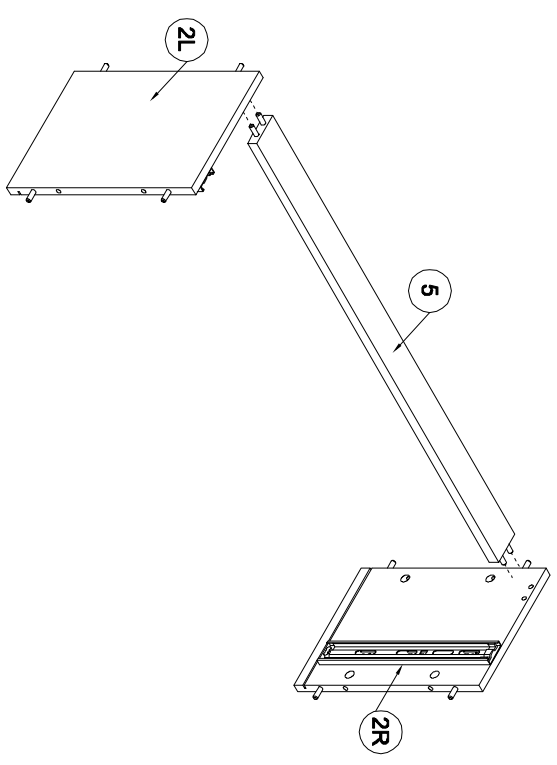
5



6

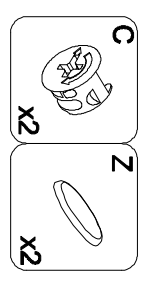
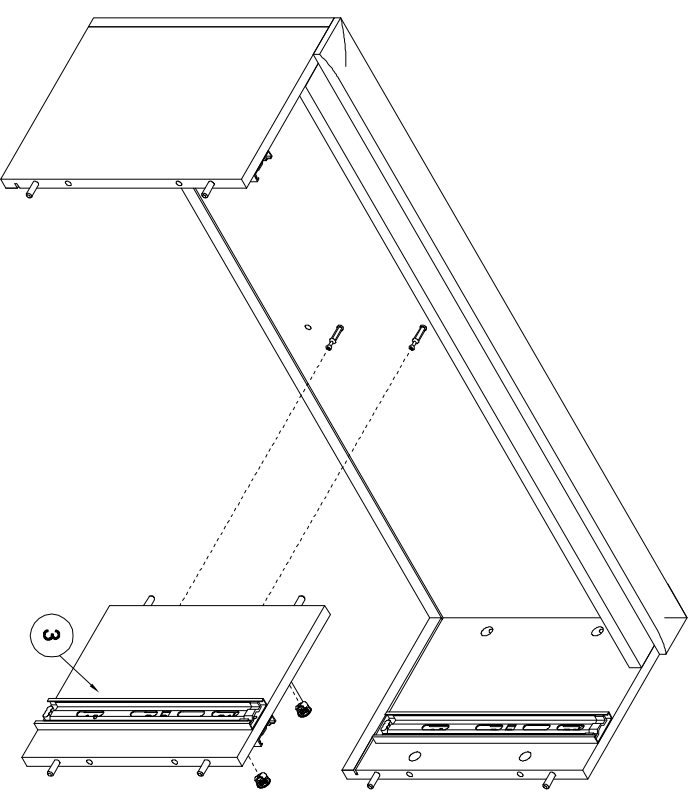
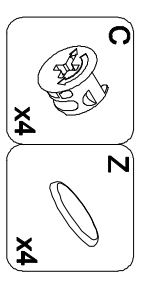
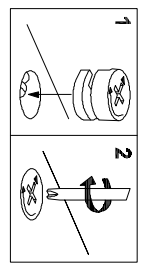
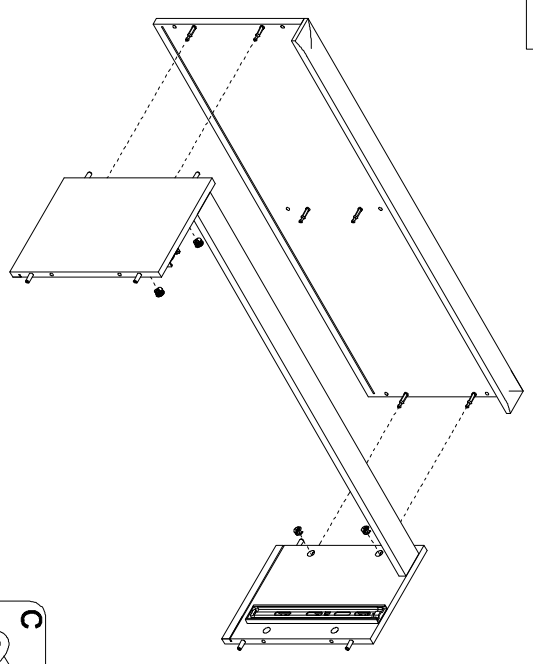


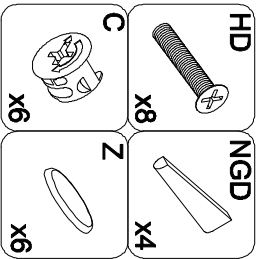
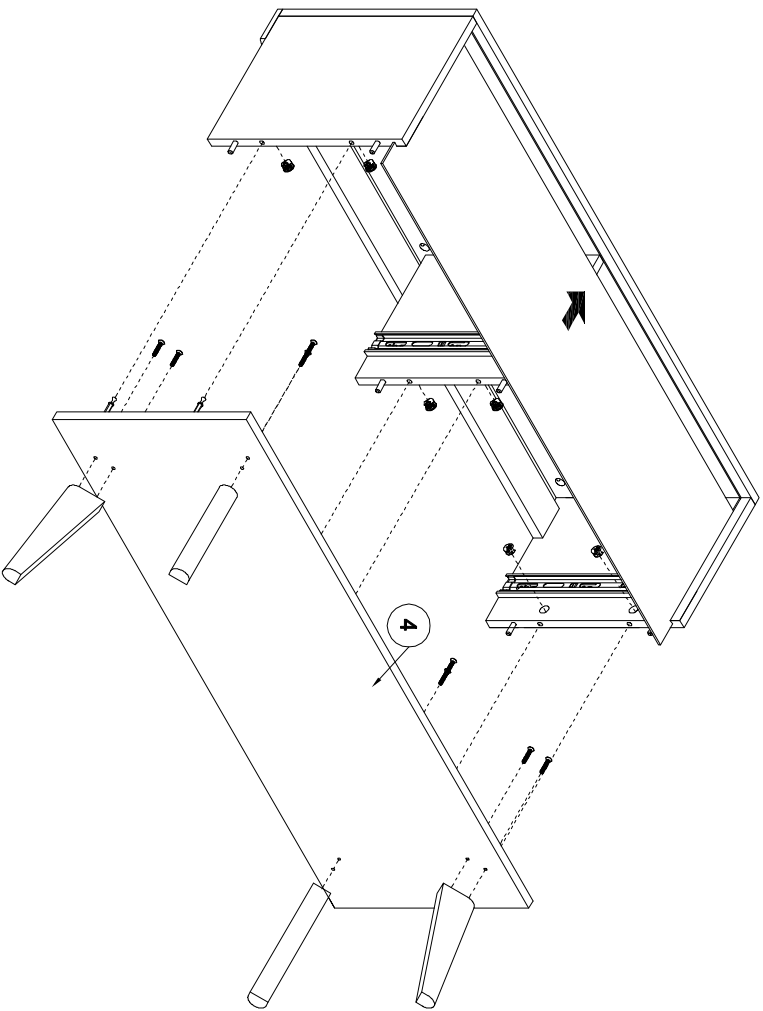
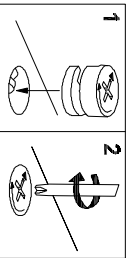
7



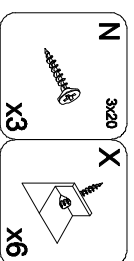
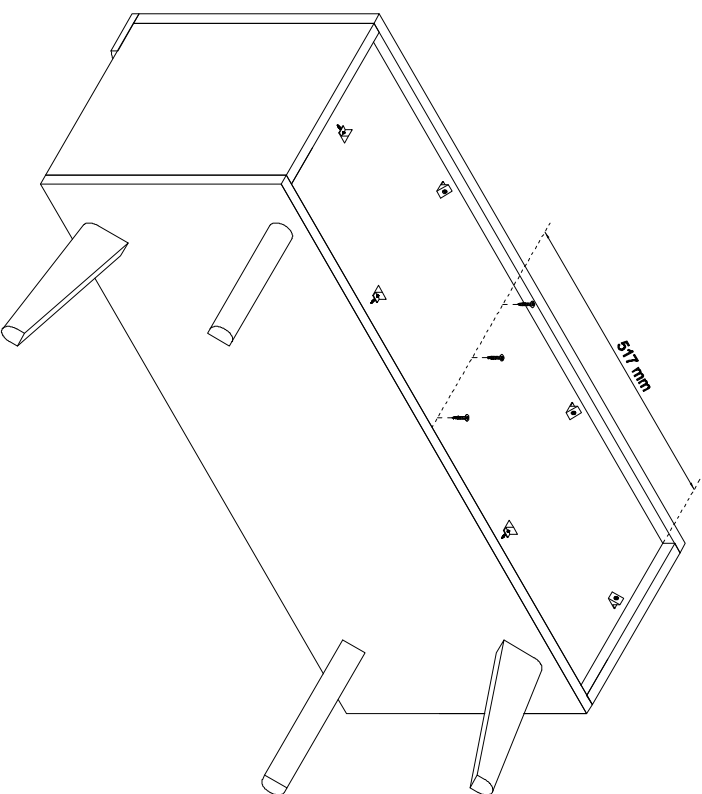
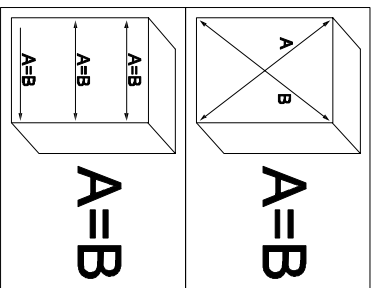
5

8



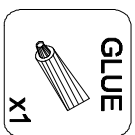
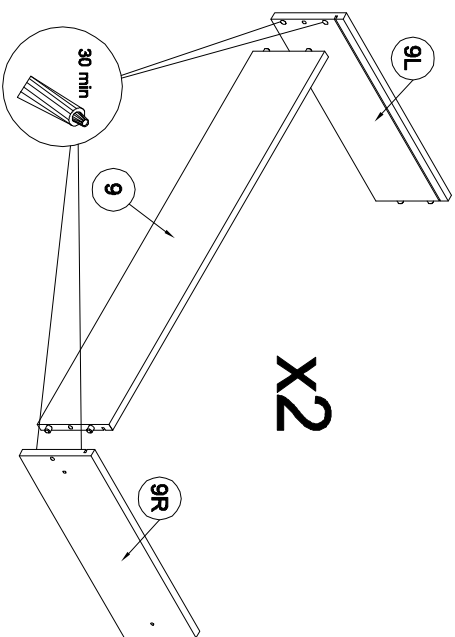


10

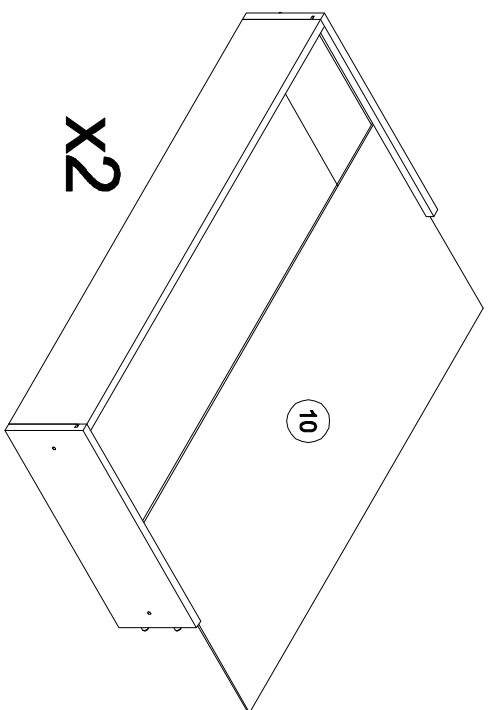


11

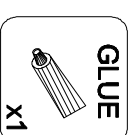
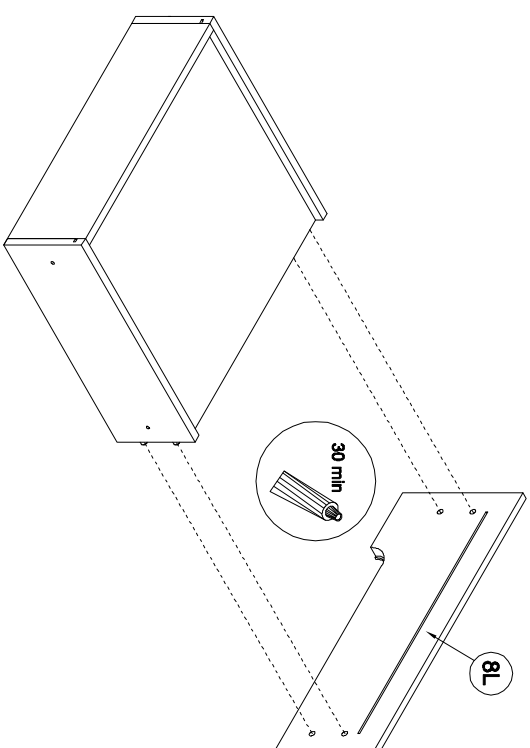
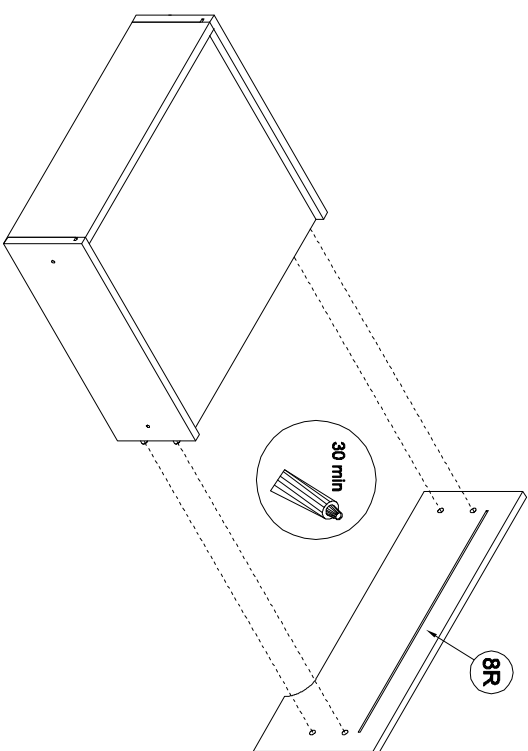
12

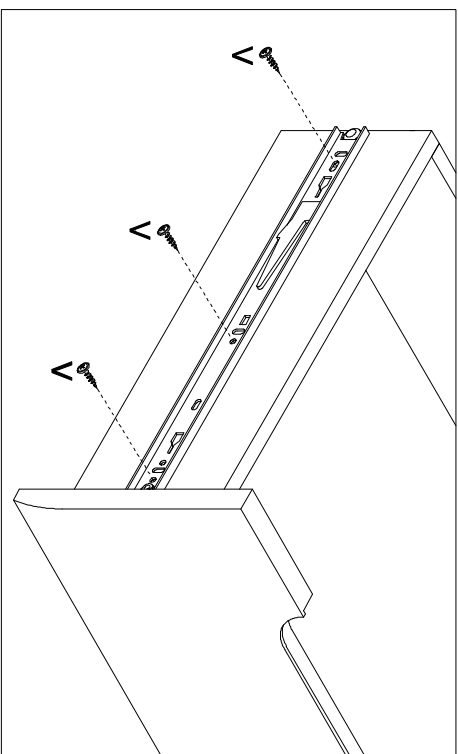
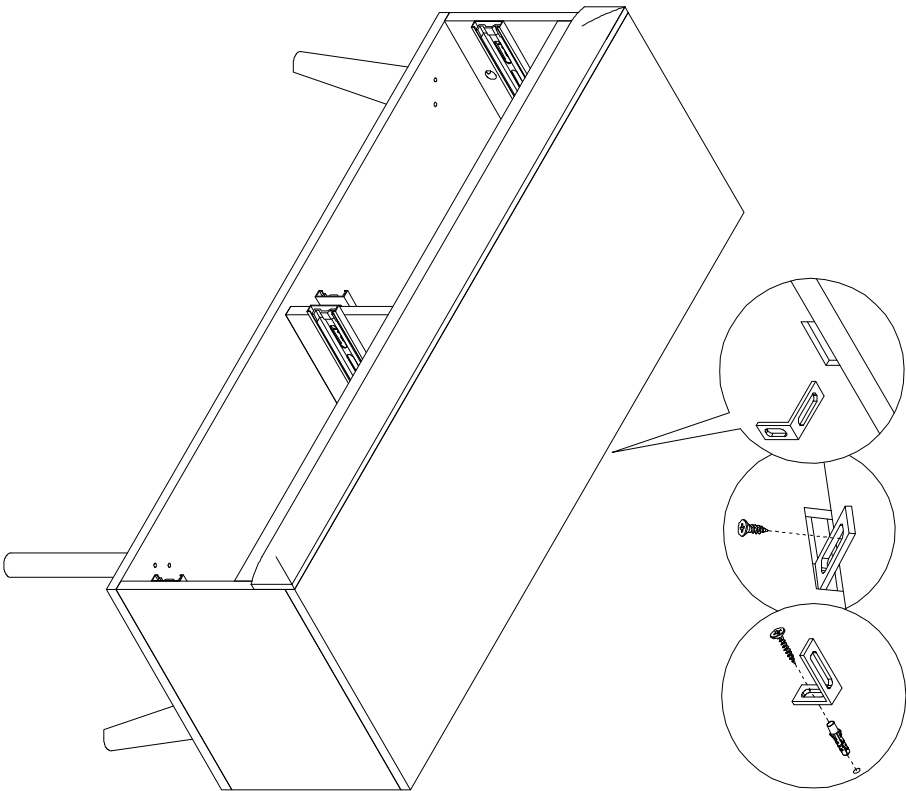
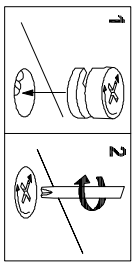


13



14





- TB 4x13 X1
- TA X1
- NA 4x13 X1
- PPW X4
- V 3x13 X12

