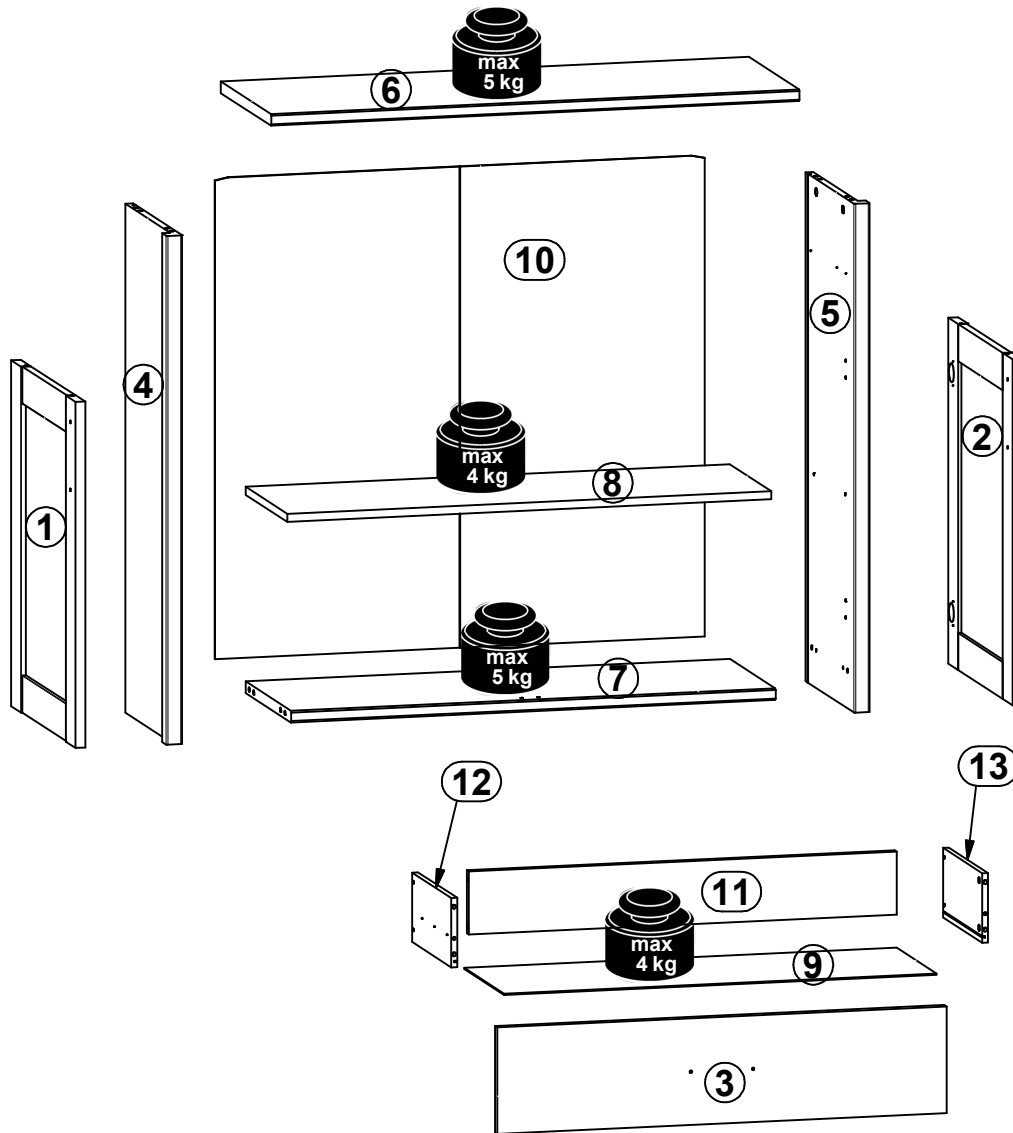
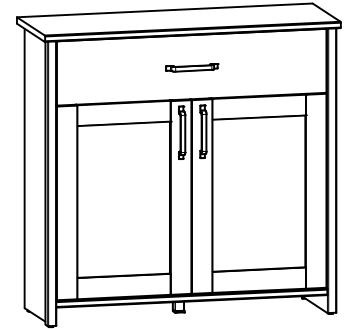
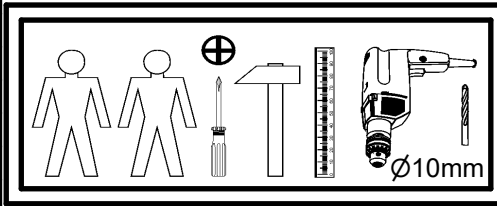
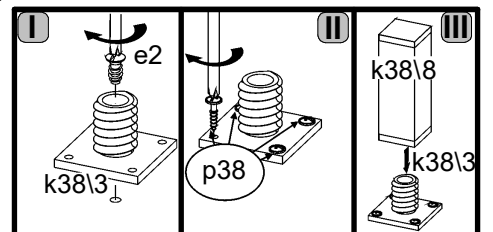
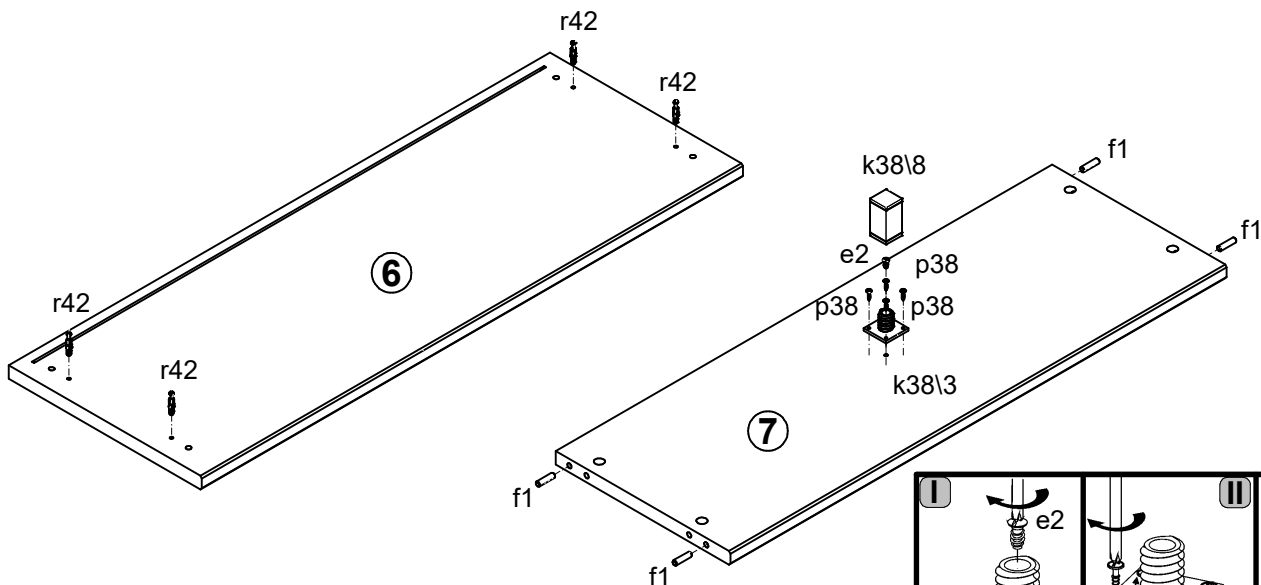
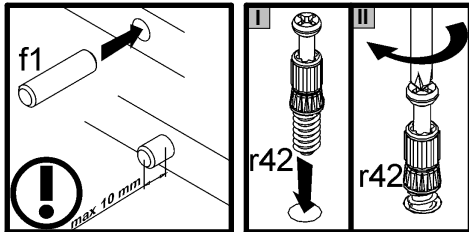
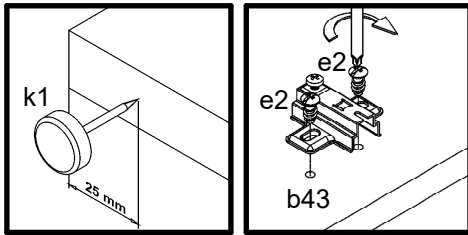
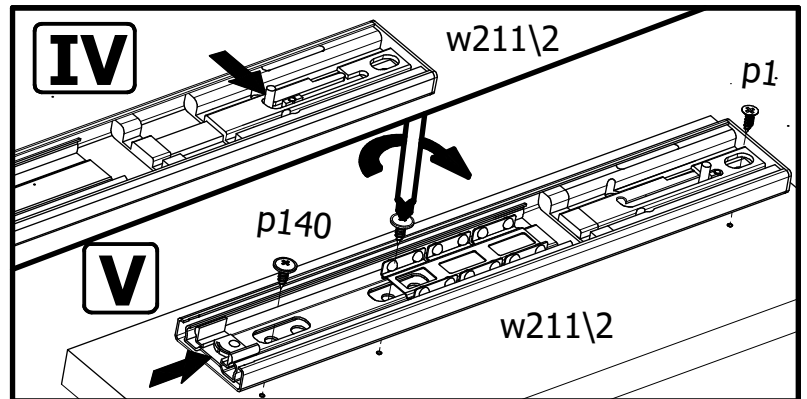
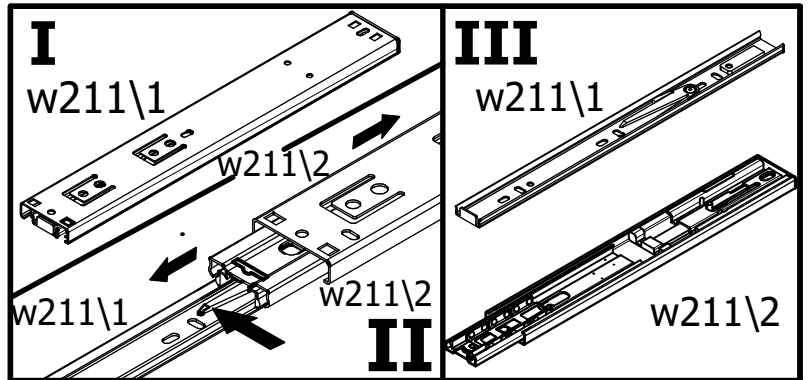
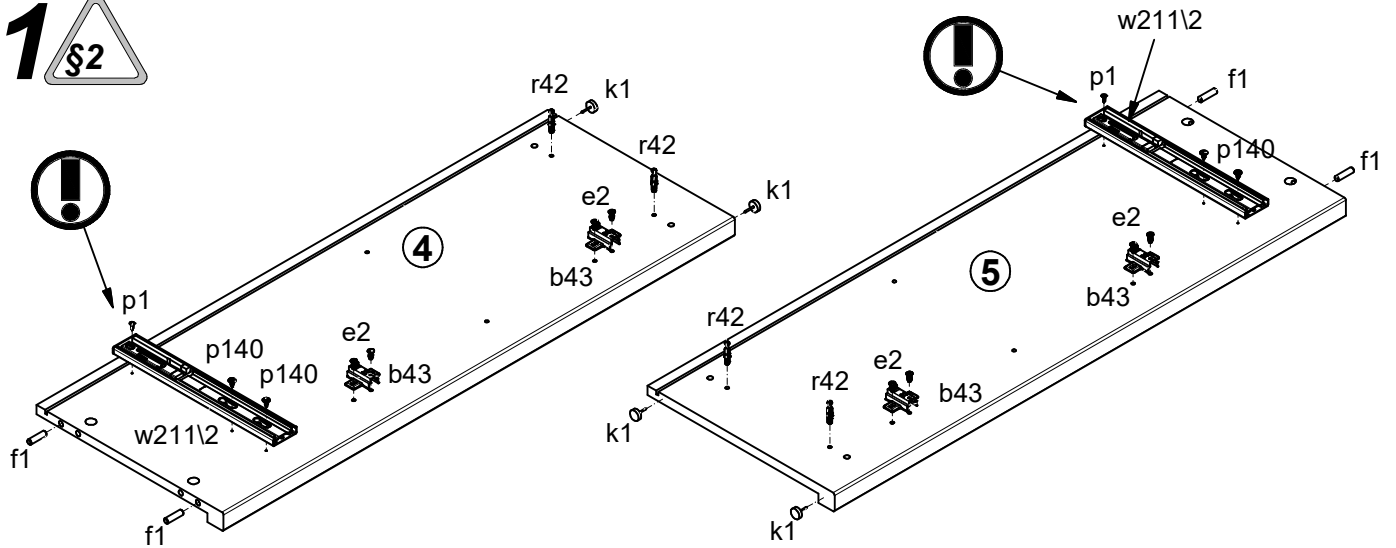


A	B	C	D
1	S455-0006	651	460
2	S455-0007	651	460
3	S455-0008	923	215
4	S455-1009 A	957	350
5	S455-1010 A	957	350
6	S455-2005	1013	361
7	S455-3010	929	327
8	S455-3011	928	298
9	S455-9002	889	305
10	S455-9304	905	939
11	ZK3-5045	879	127
12	ZK4-511	300	140
13	ZK4-512	300	140

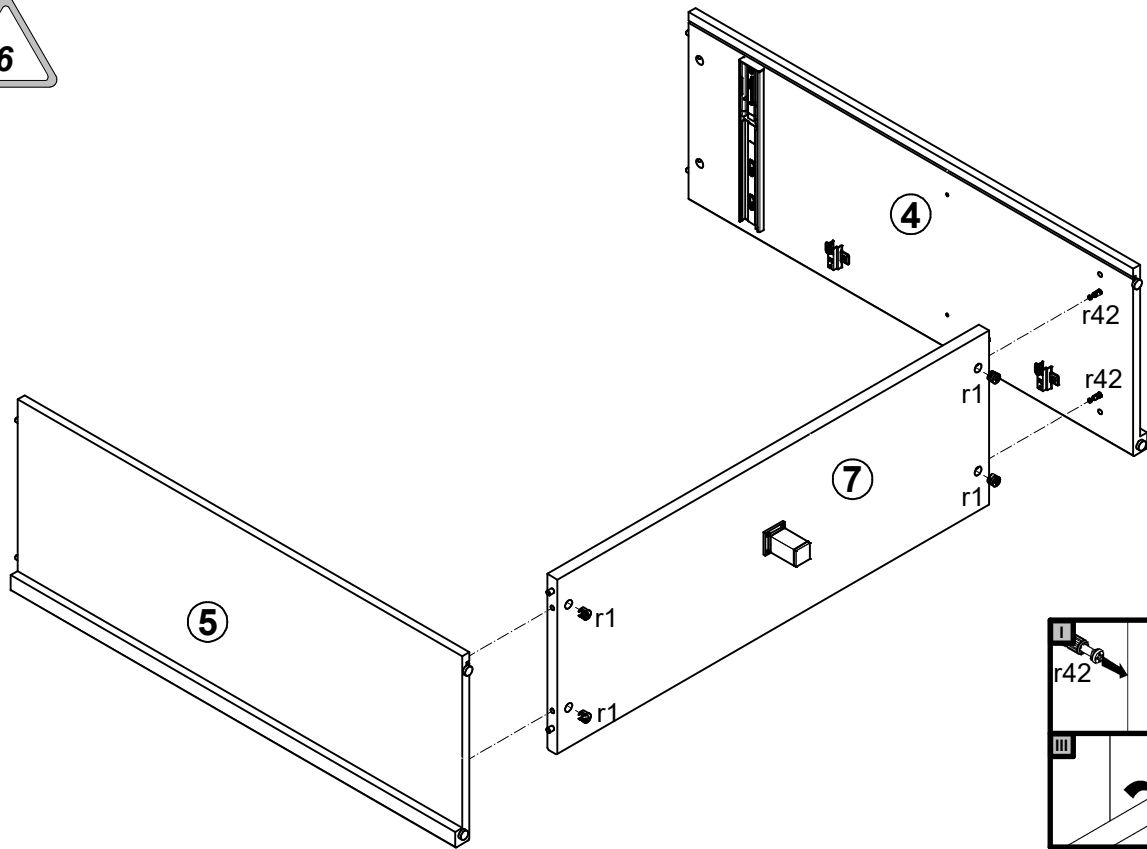


2x a133	4x a160	4x b43	3x c526	4x d1	2x d5	9x e2	8x f1	2x f9
4x f25	4x k1	1x k38l3	1x k38l8	10x l1	6x l2	2x p1	6x p9	1x p25
1x p35	10x p38	8x p51	10x p140	8x r1	4x r15	12x r42	2x w211\1	2x w211\2
1x t25							1x n26	1x p38

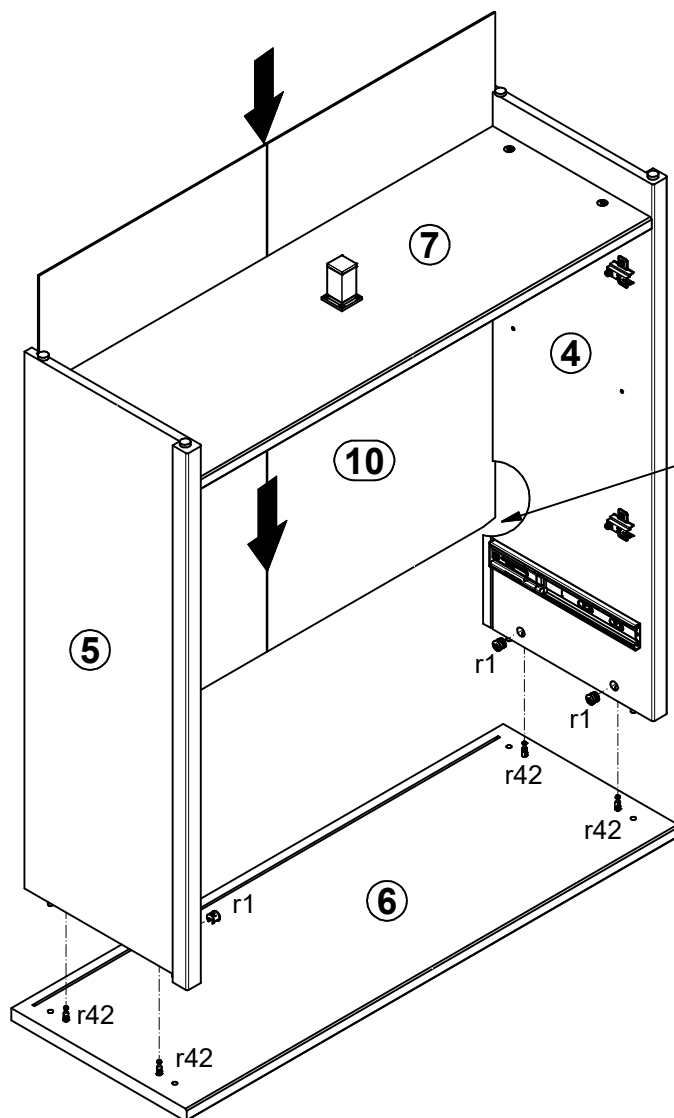
1 §2



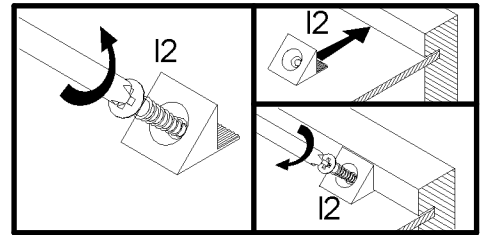
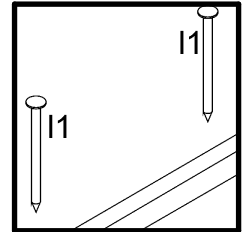
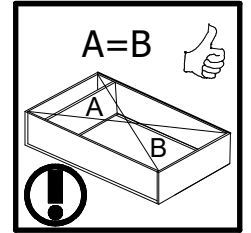
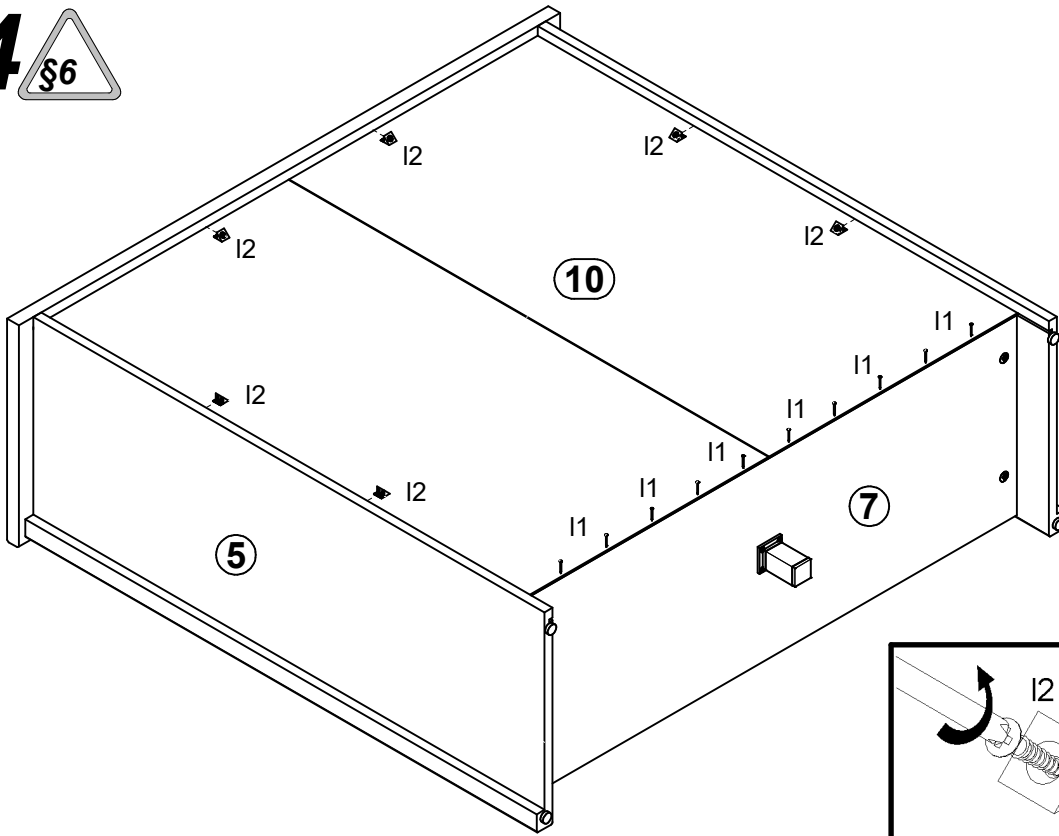
2 §6



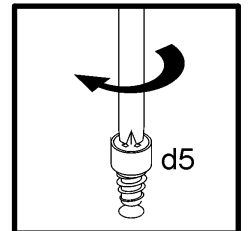
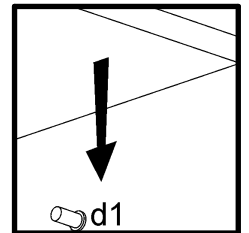
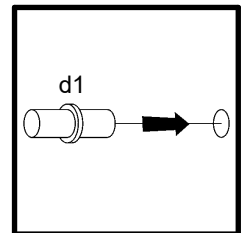
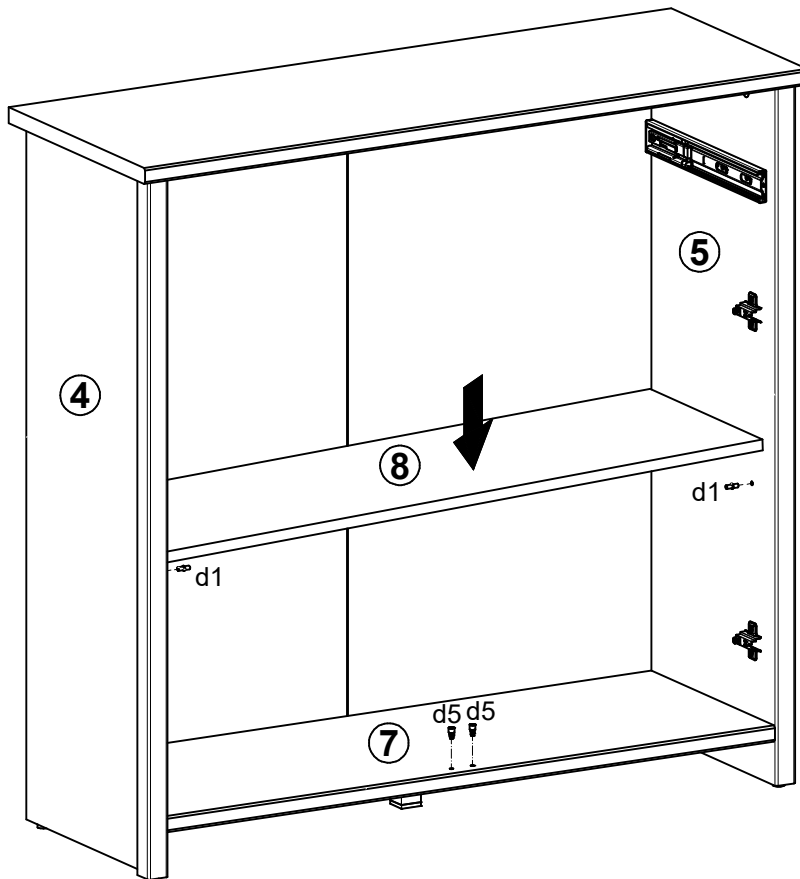
3 §6



4 §6

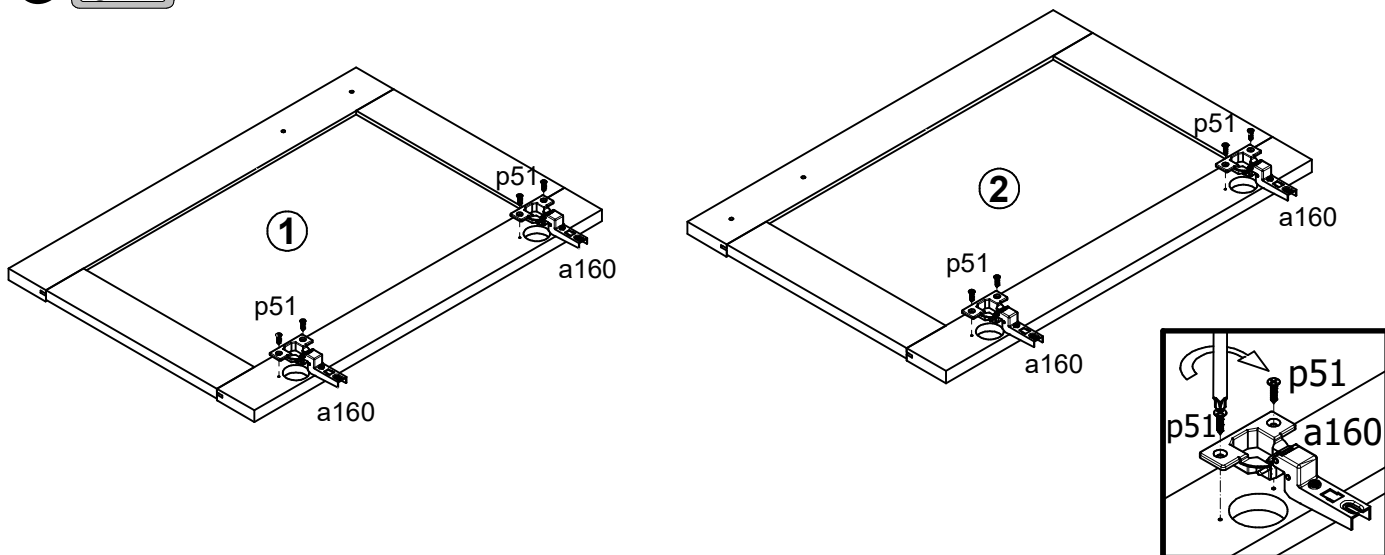


5 §6



6

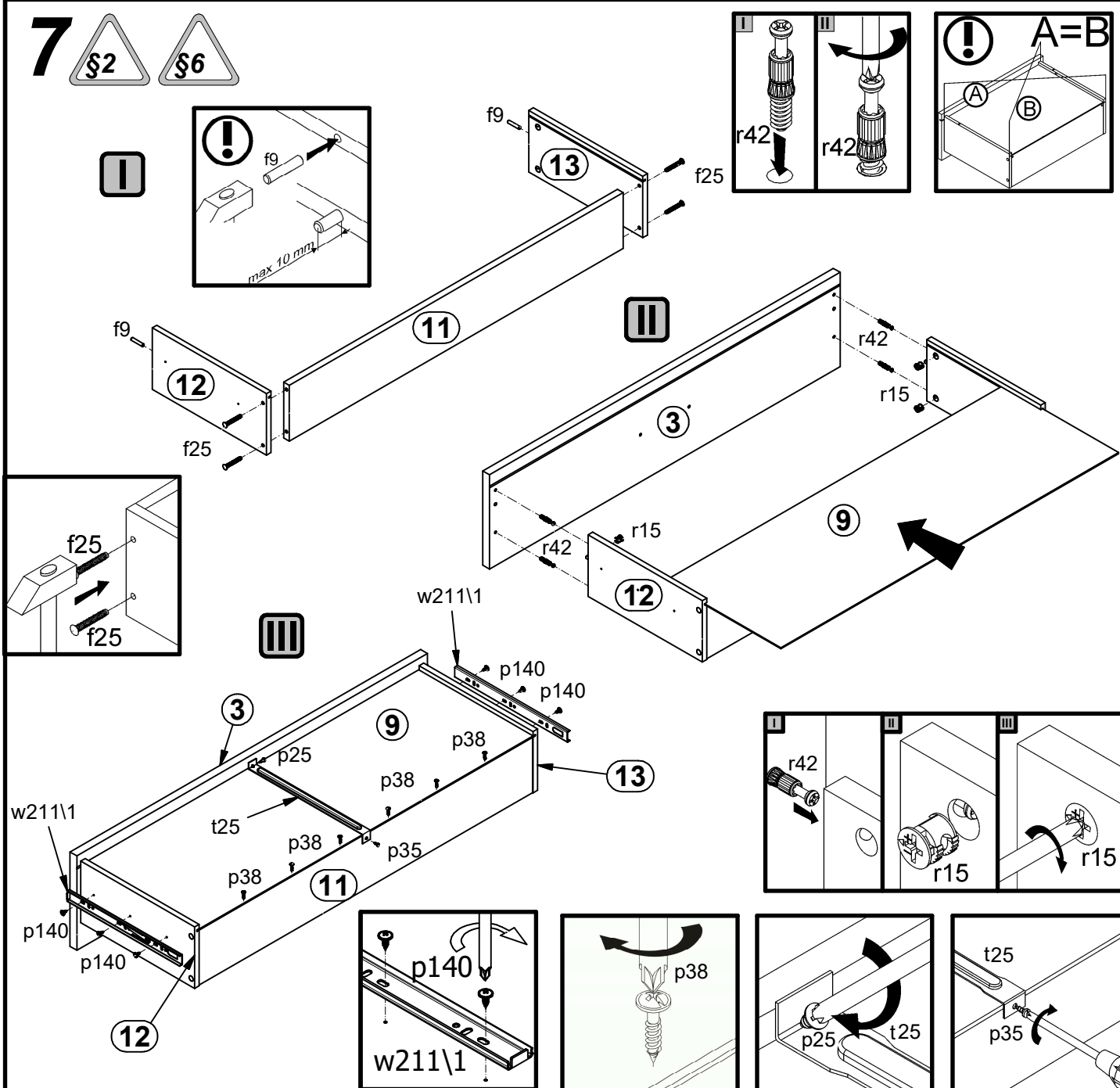
§6



7

§2

§6



8 §6

