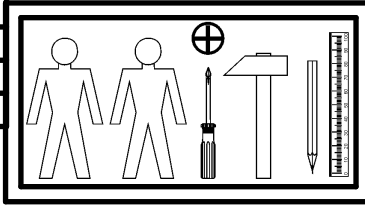


**A**

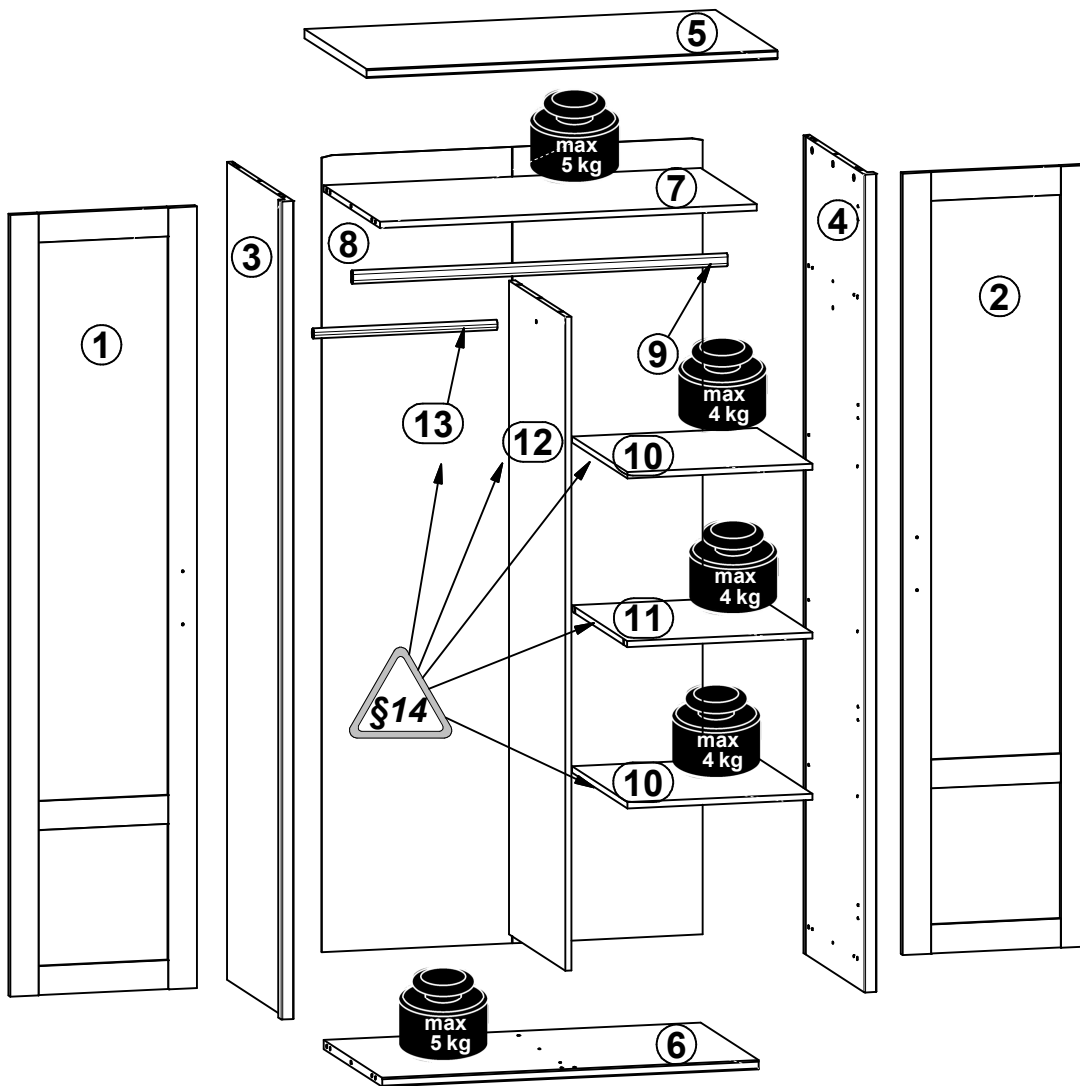
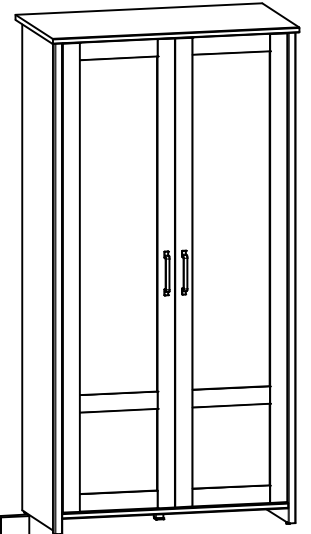
# LOKSA

**S455-SZF2D**

A	B	C	D
1	S455-0002	1890	460 3/3
2	S455-0003	1890	460 3/3
3	S455-1001 A	1978	560 2/3
4	S455-1002 A	1978	560 2/3
5	S455-2002	1013	571 1/3
6	S455-3002	929	537 1/3
7	S455-3003	929	516 1/3
8	S455-9301	1926	939 2/3
9	dr-924	924	30 1/3



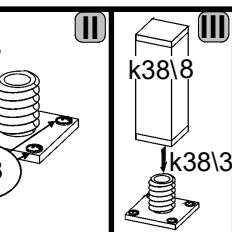
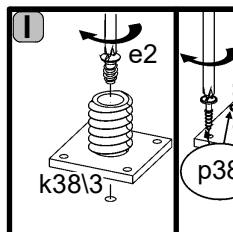
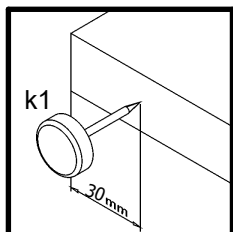
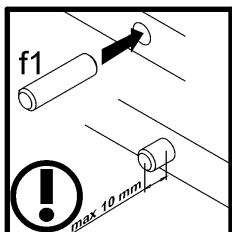
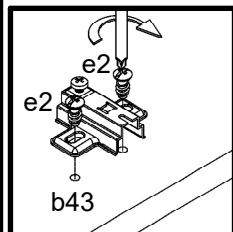
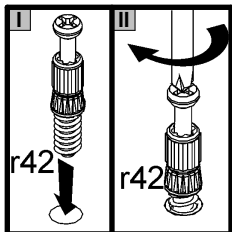
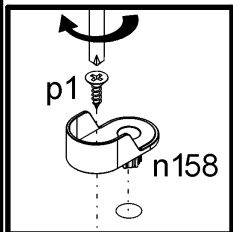
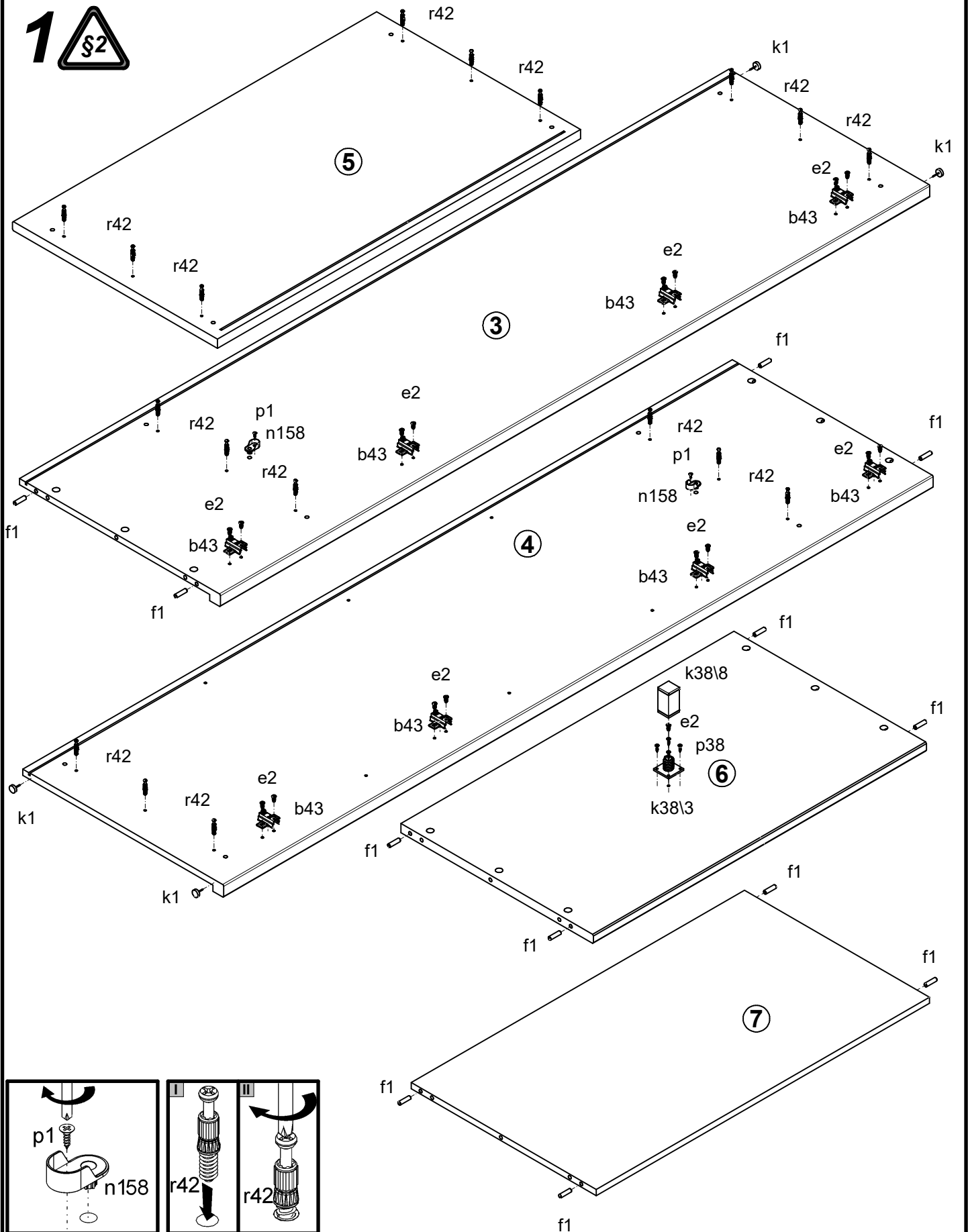
A	B	C	D
10	S455-3004	456	508 1/1
11	S455-3030	457	508 1/1
12	S455-1003	1581	516 1/1
13	dr-453	453	22 1/1



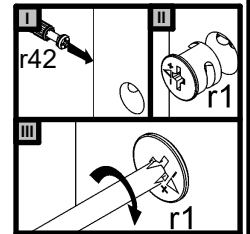
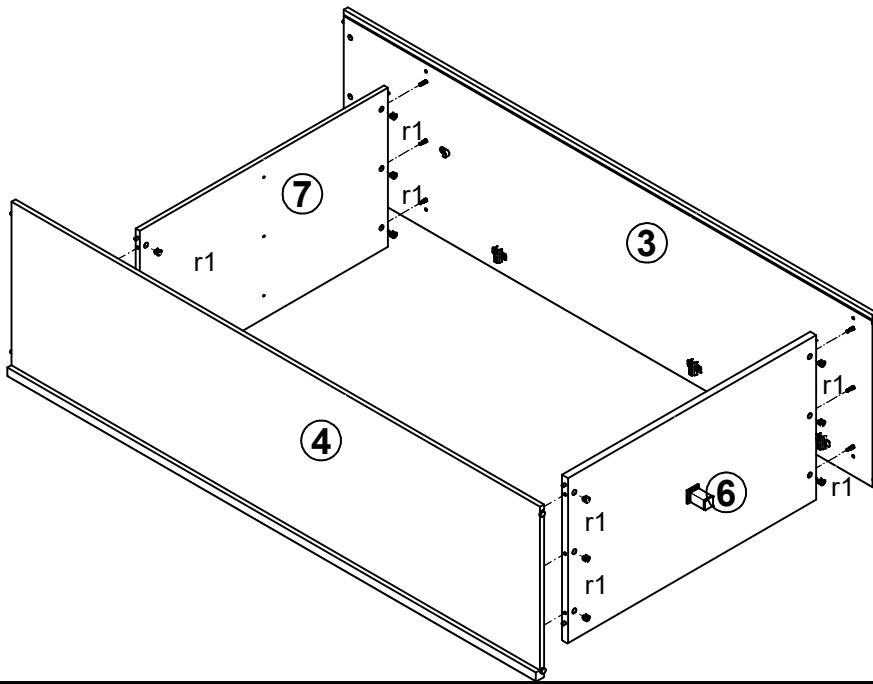
2x  a133	8x  a160	8x  b43	2x  c526	2x  d5	17x  e2
12x  f1	4x  k1	1x  k38l3	1x  k38l8	20x  l1	12x  l2
2x  n158	2x  p1	4x  p9	5x  p38	16x  p51	18x  r1
18x  r42	12x  s2	1x  n26l1			

	6x  n108
8x  d1	6x  p55
10x  r36	10x  r57

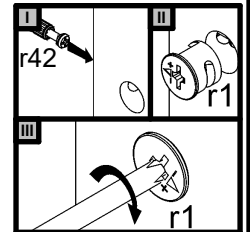
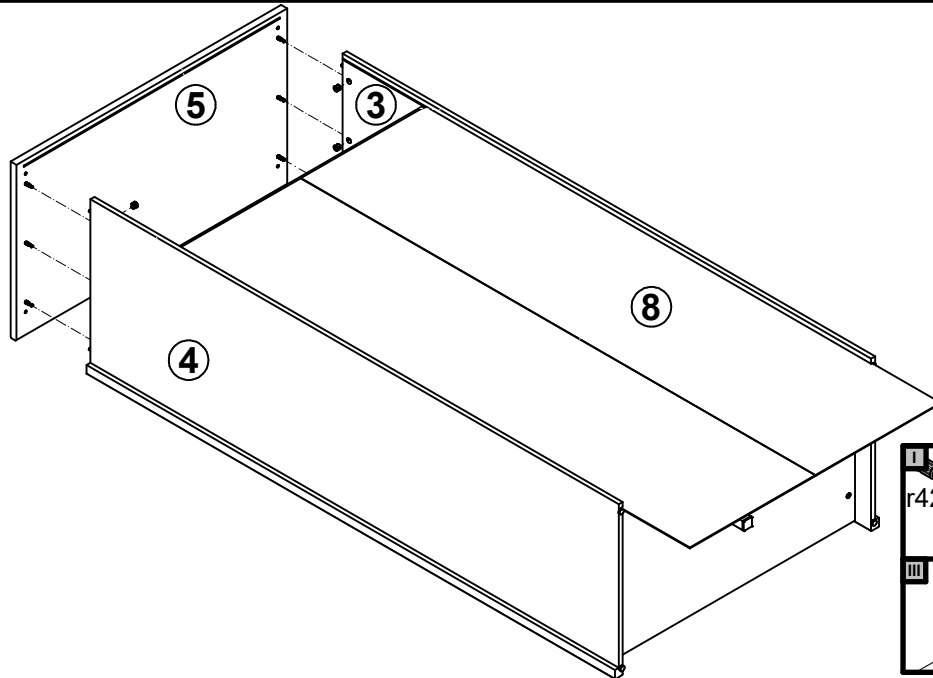
1 §2



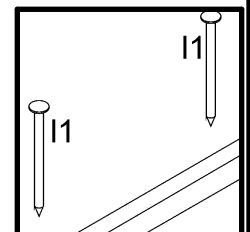
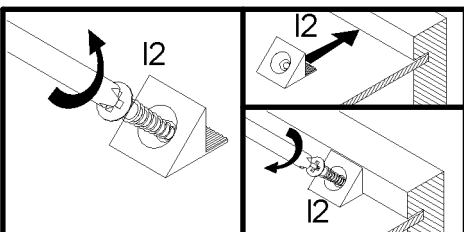
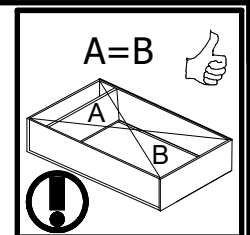
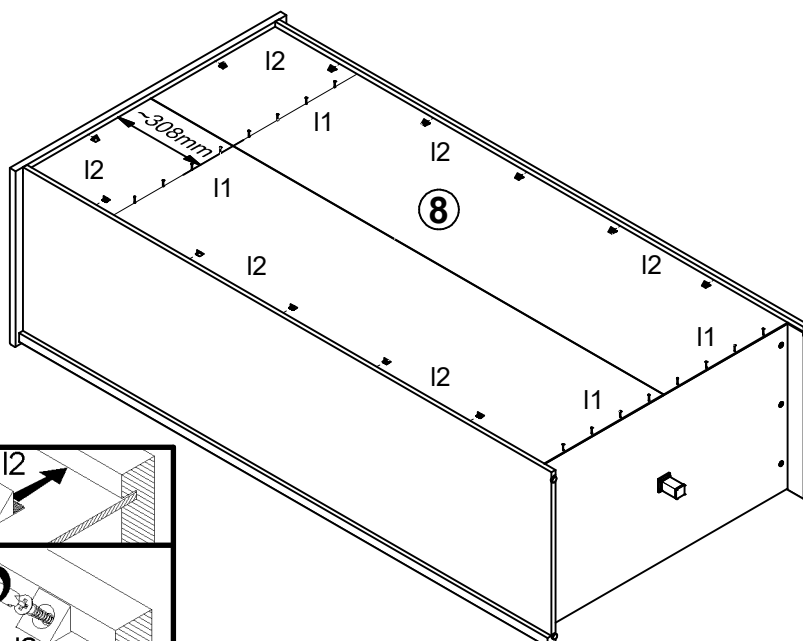
**2** §6

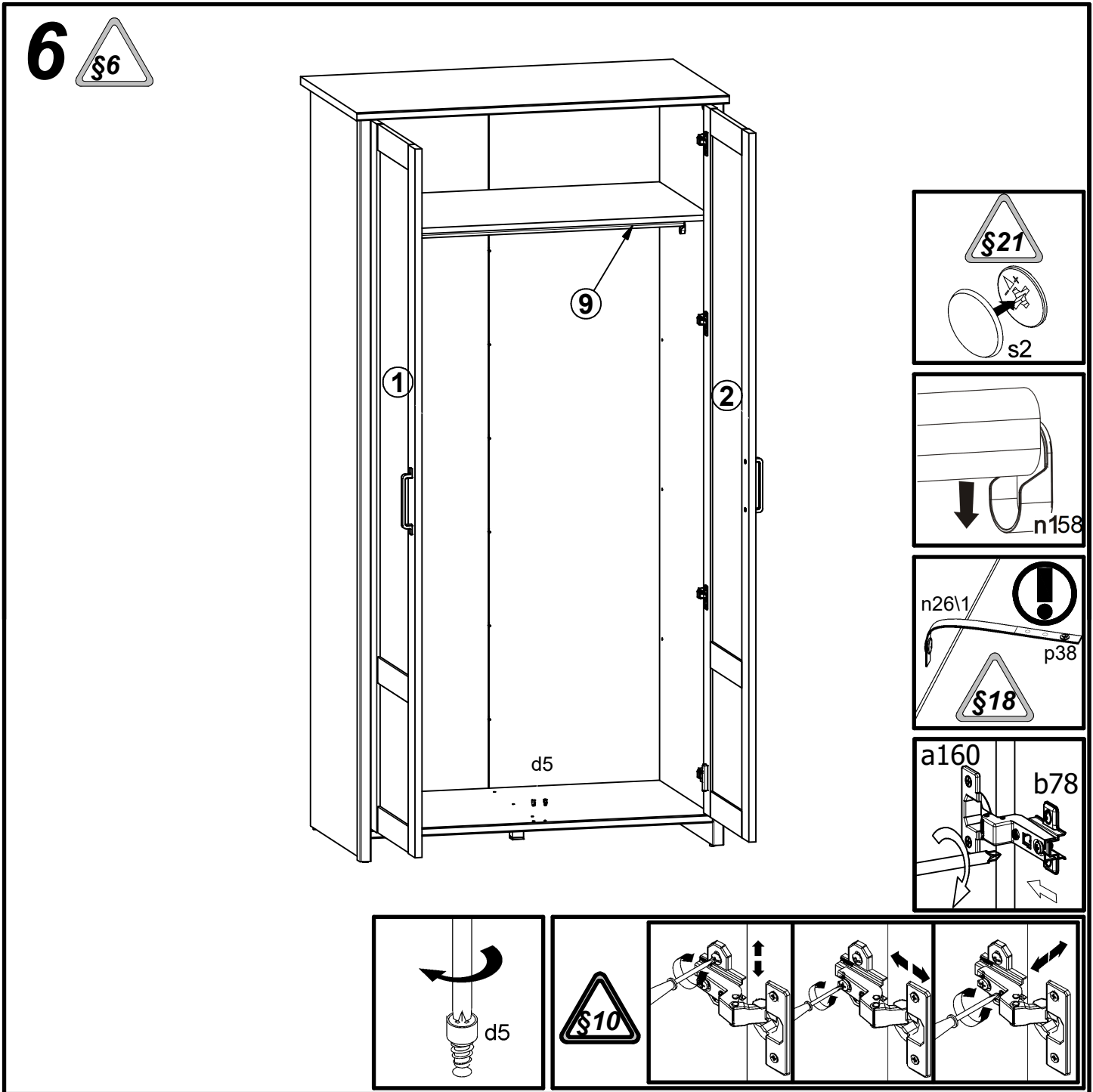
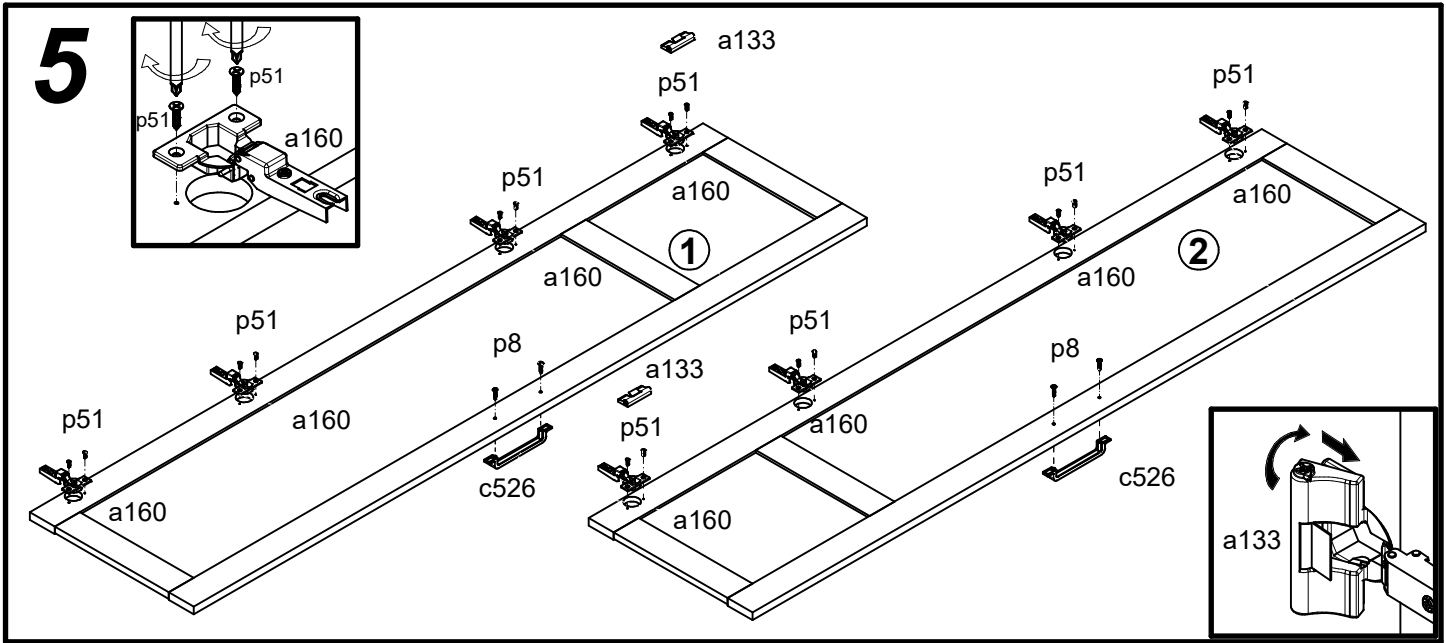


**3** §6

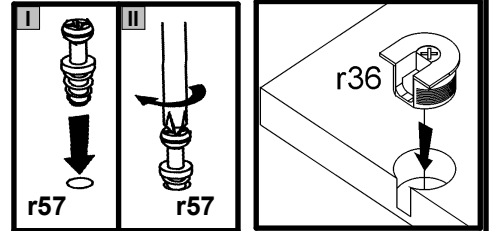
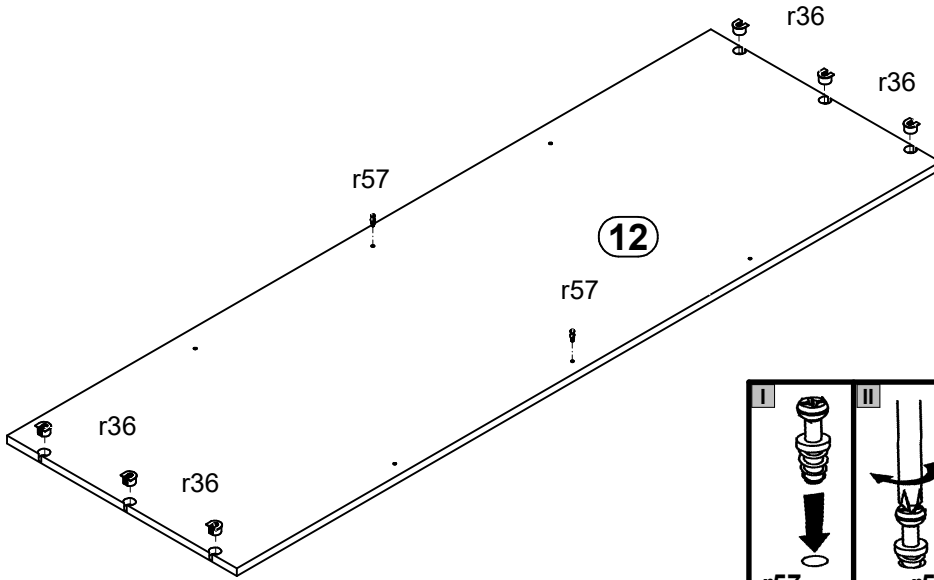


**4** §6

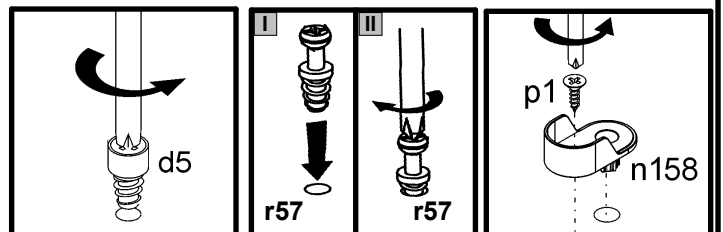
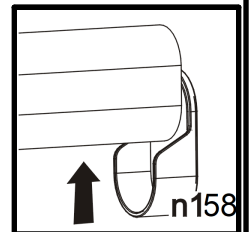
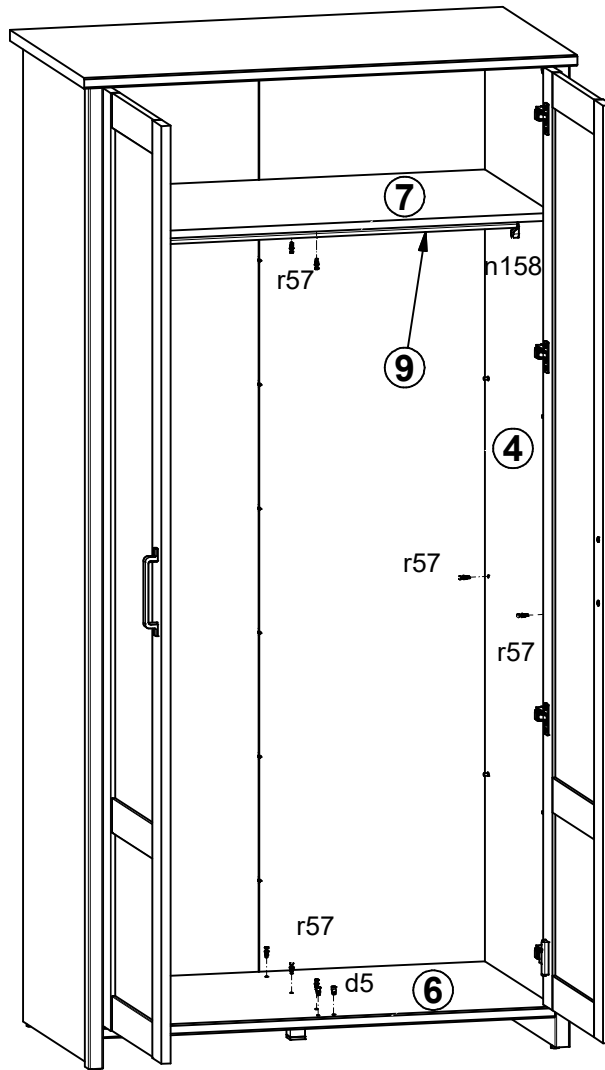




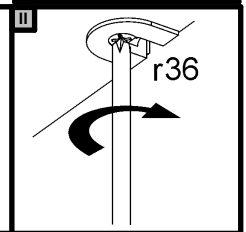
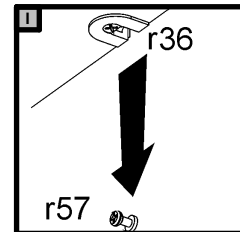
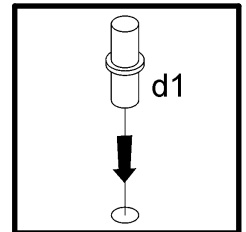
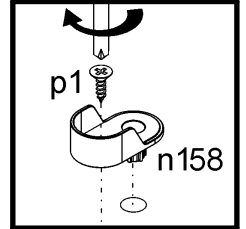
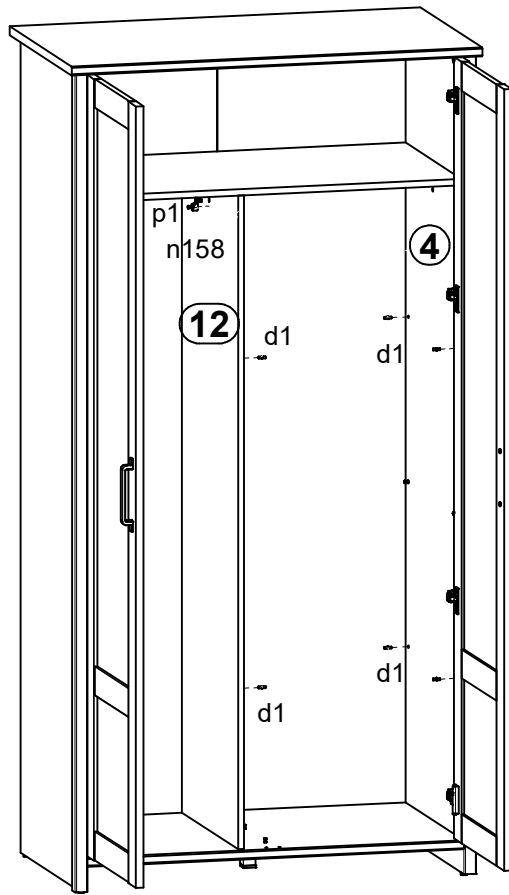
**7** §14



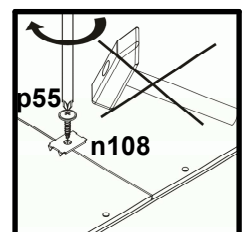
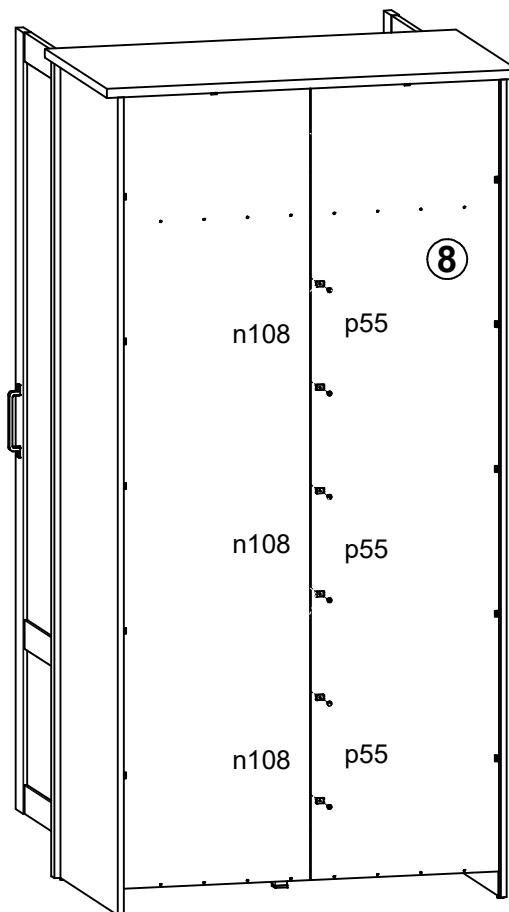
**8** §14



9 §14



10 §14



# 11

