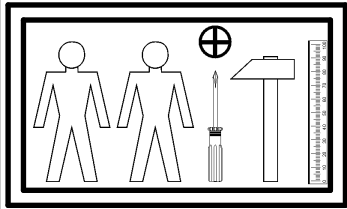
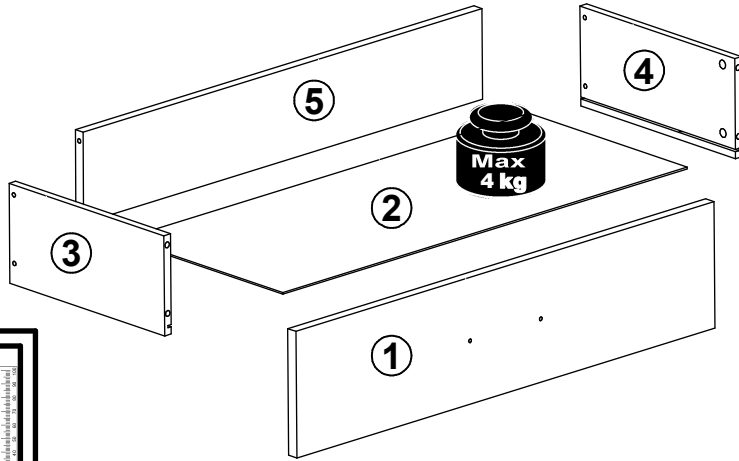
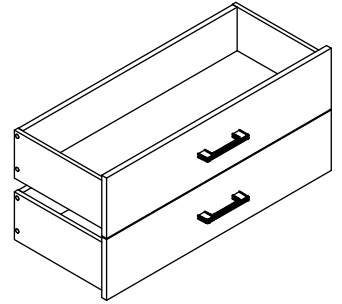
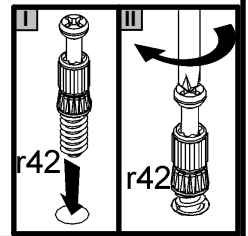
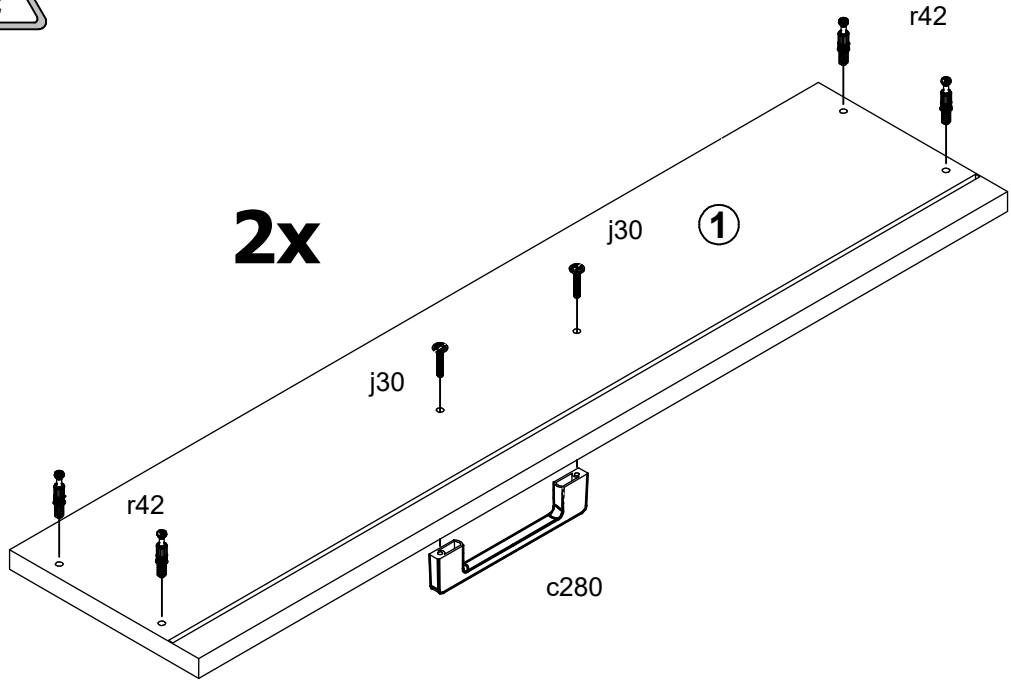


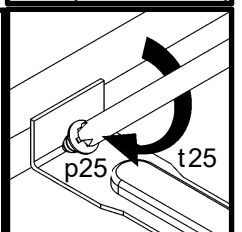
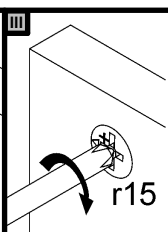
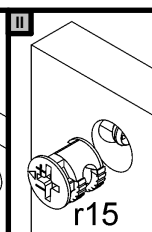
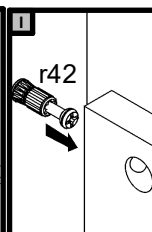
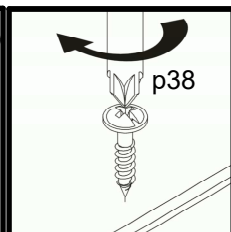
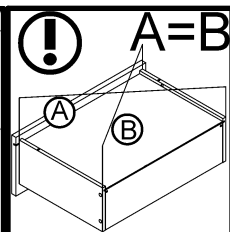
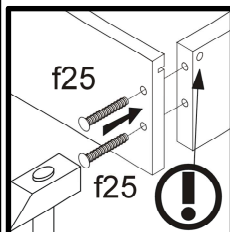
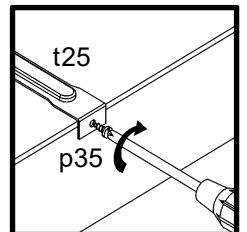
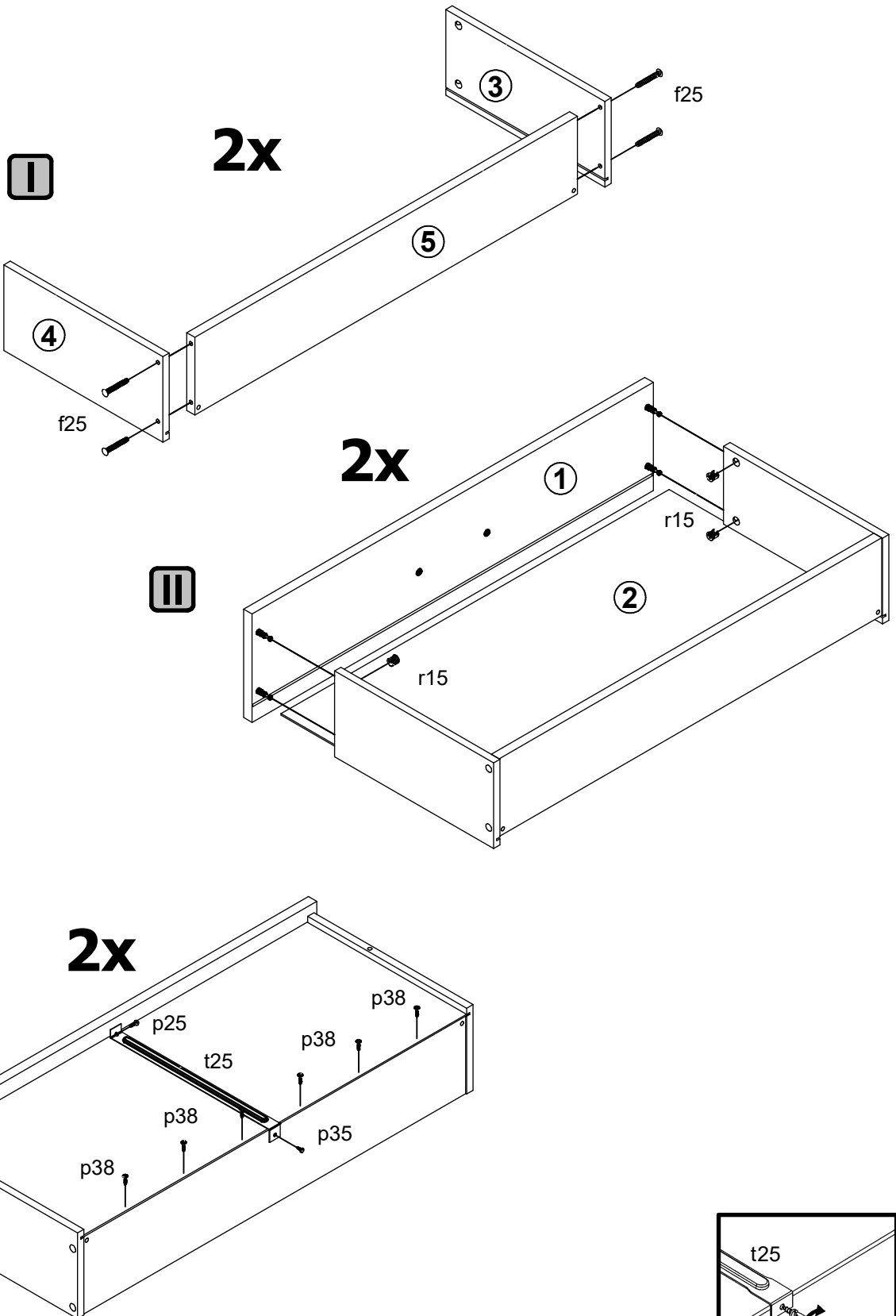
A	B	C	D	
1	S479-0002	757	177	2/2, 3/3, 4/4, 5/5, 6/6, 7/7
2	S479-9001	732	307	2/2, 3/3, 4/4, 5/5, 6/6, 7/7
3	ZQ6-509	300	140	2/2, 3/3, 4/4, 5/5, 6/6, 7/7
4	ZQ6-510	300	140	2/2, 3/3, 4/4, 5/5, 6/6, 7/7
5	ZQ6-5196	722	127	2/2, 3/3, 4/4, 5/5, 6/6, 7/7



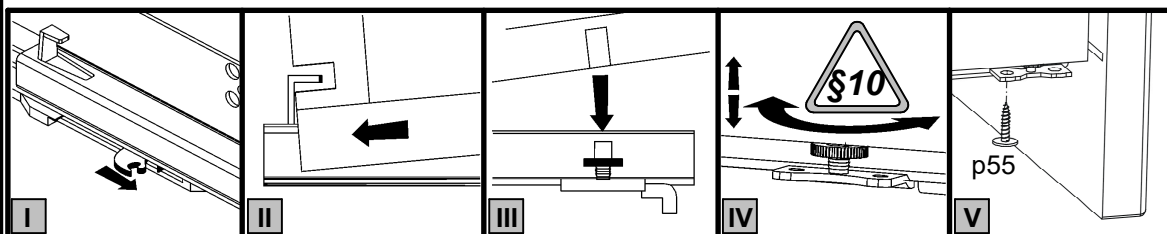
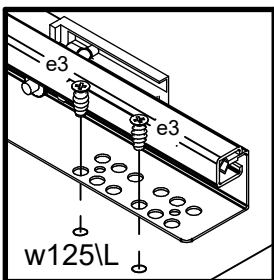
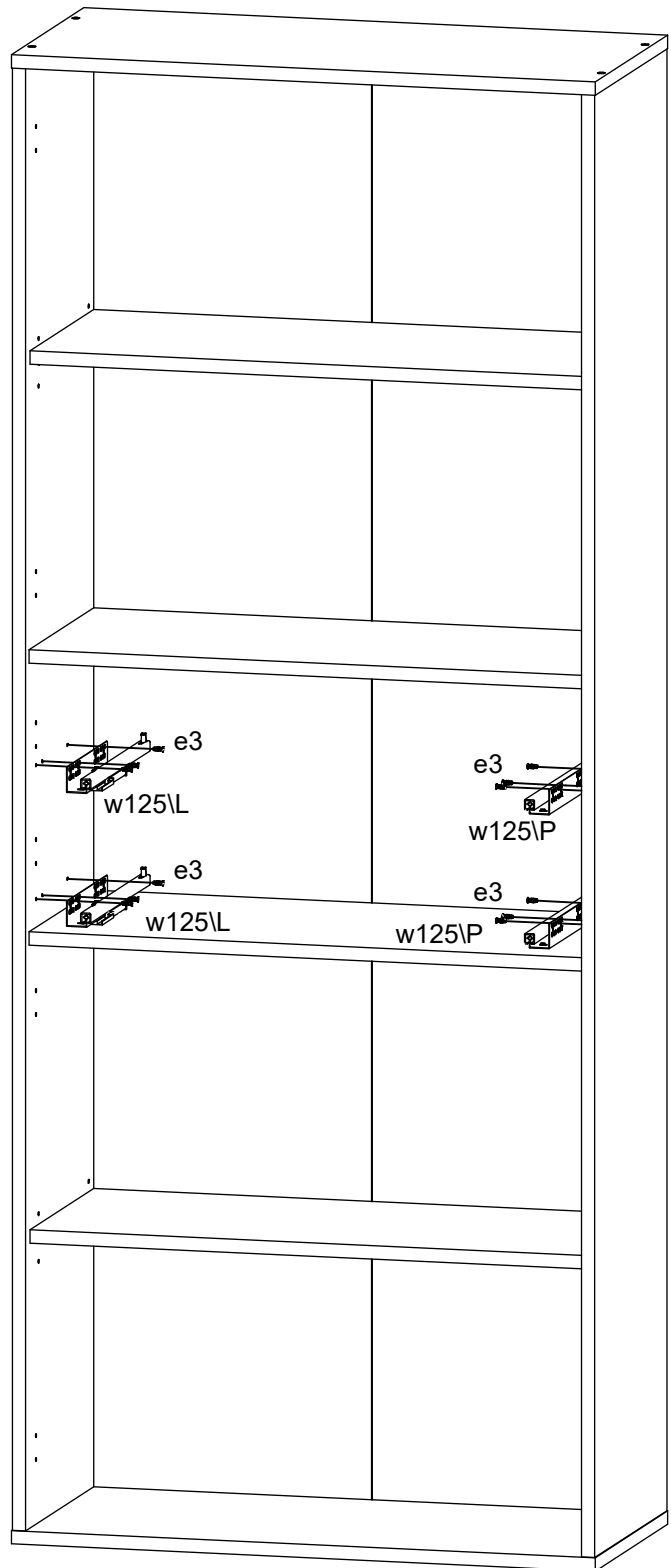
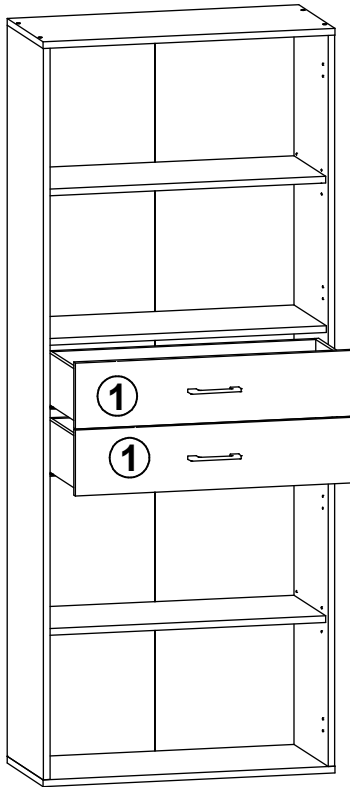
2x 128mm <b>c280</b>	12x Ø6x13 mm <b>e3</b>	8x Ø6.5x40 mm <b>f25</b>	4x M4x22 mm <b>j30</b>	2x Ø3.5x16 mm <b>p25</b>	2x Ø3.5x10 mm <b>p35</b>	12x Ø3.5x16 mm <b>p38</b>	8x Ø12x10.5 mm #12 <b>r15</b>	8x 20/11 <b>r42</b>	
2x 300mm <b>w125L</b>	2x 300mm <b>w125P</b>	2x 300 mm <b>t25</b>	4x Ø2.9x16 mm <b>p55</b>						



# 2



# 3A



# 3B

