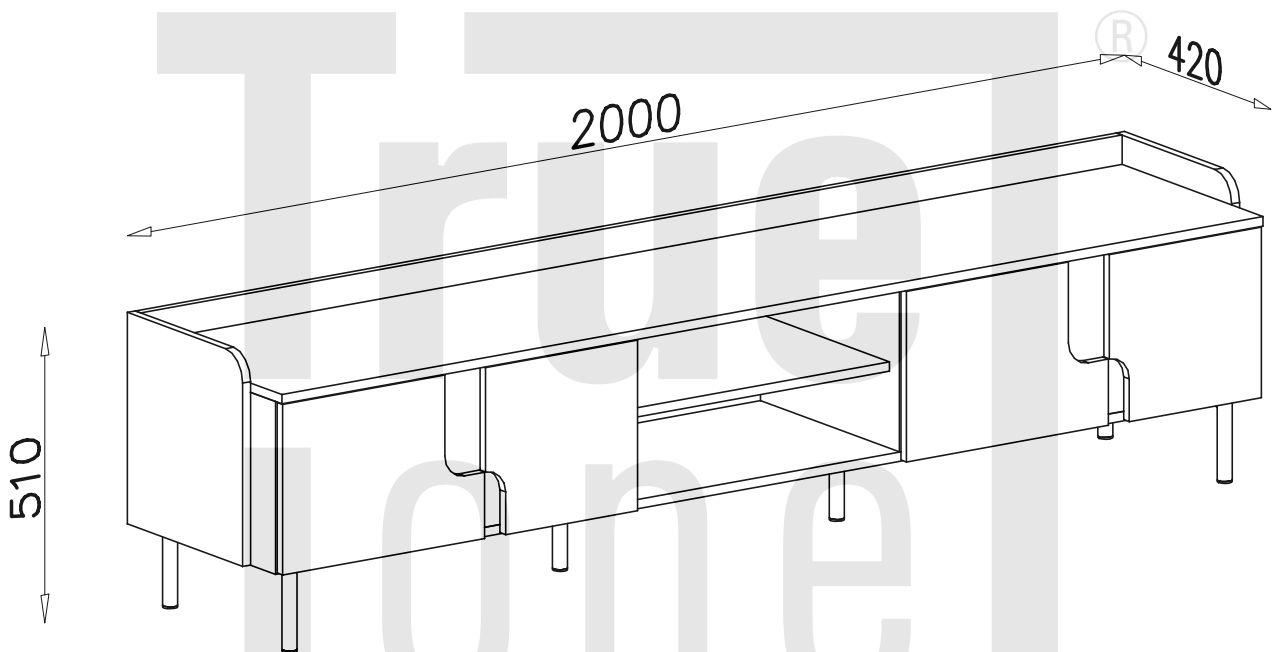
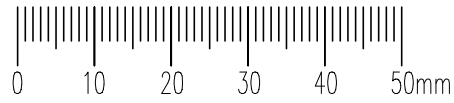
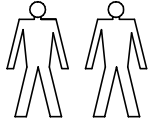
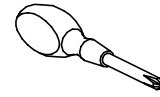
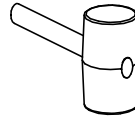
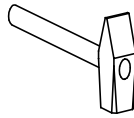
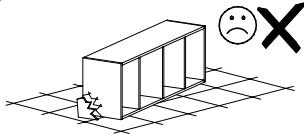
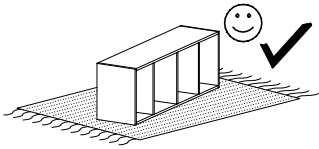
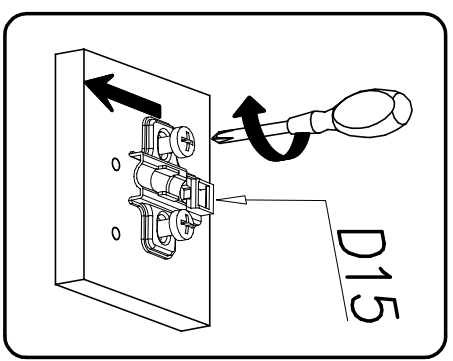
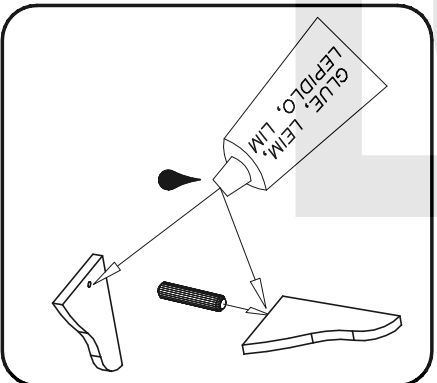
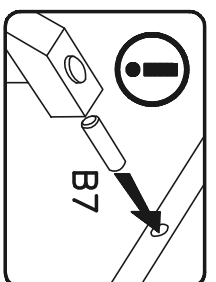
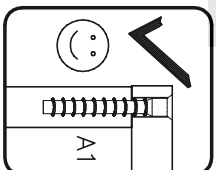
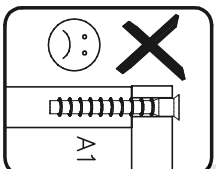
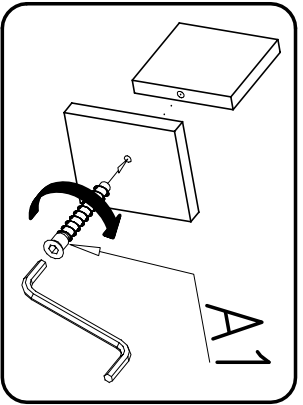
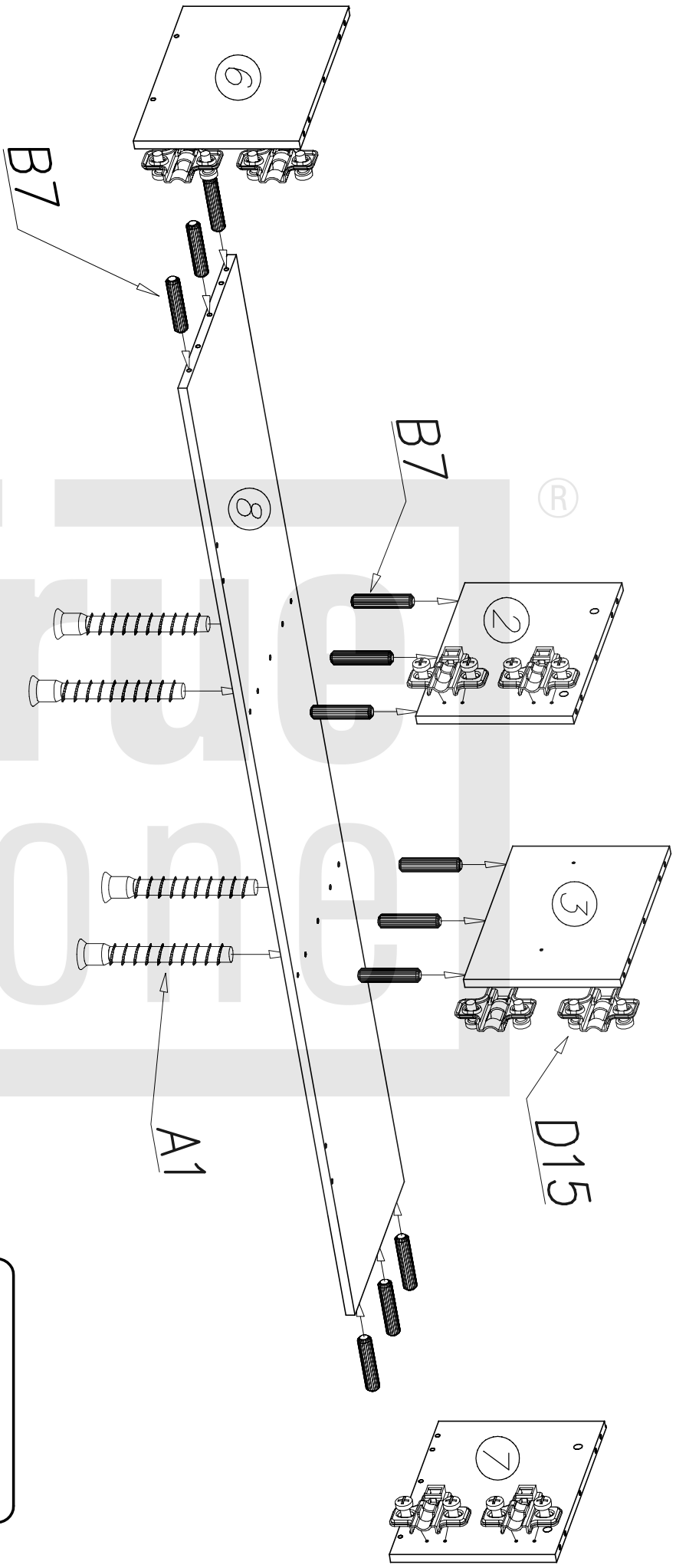


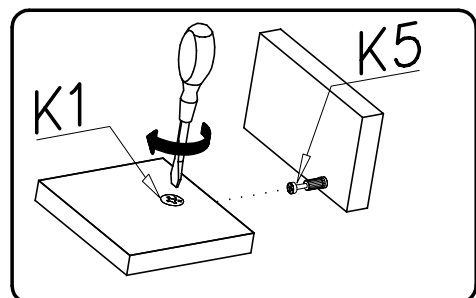
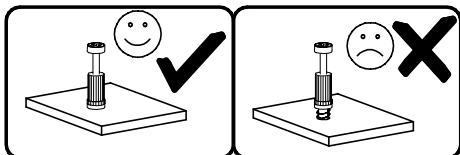
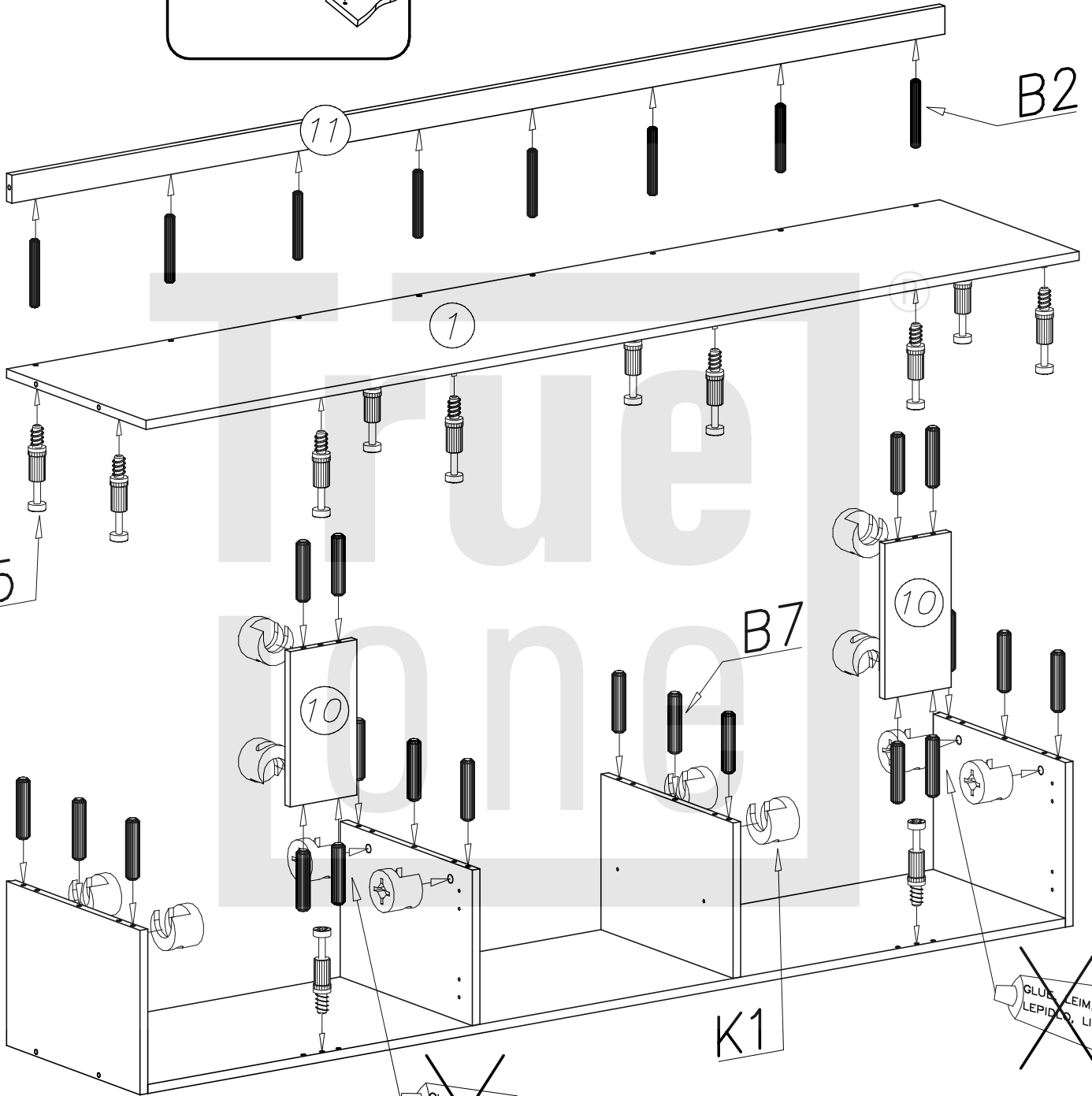
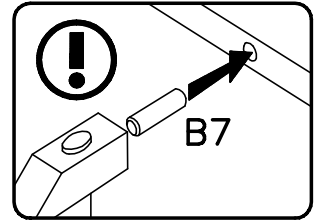
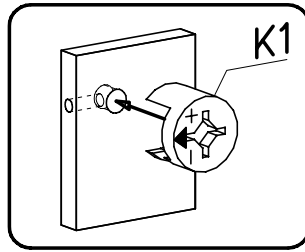
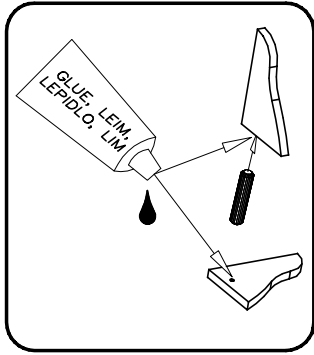
POSITANO PT 9

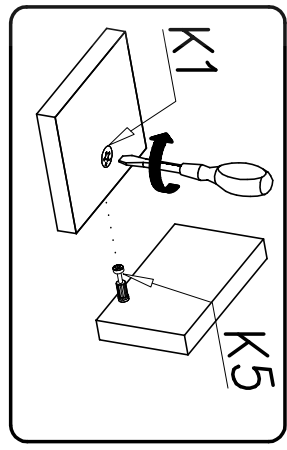
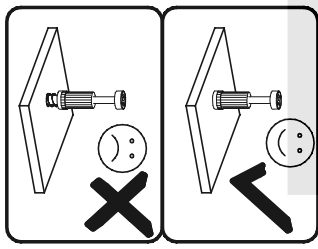
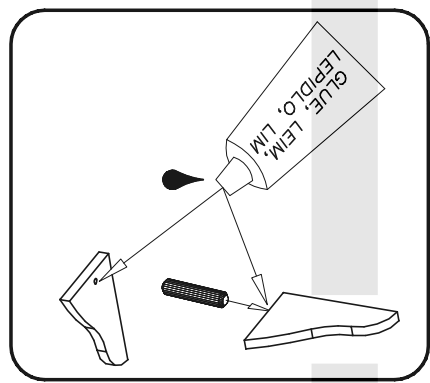
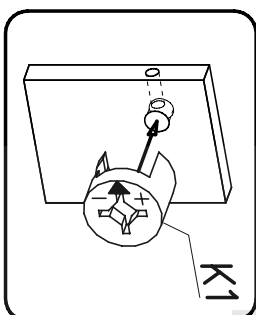
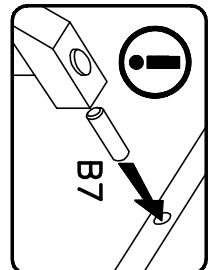
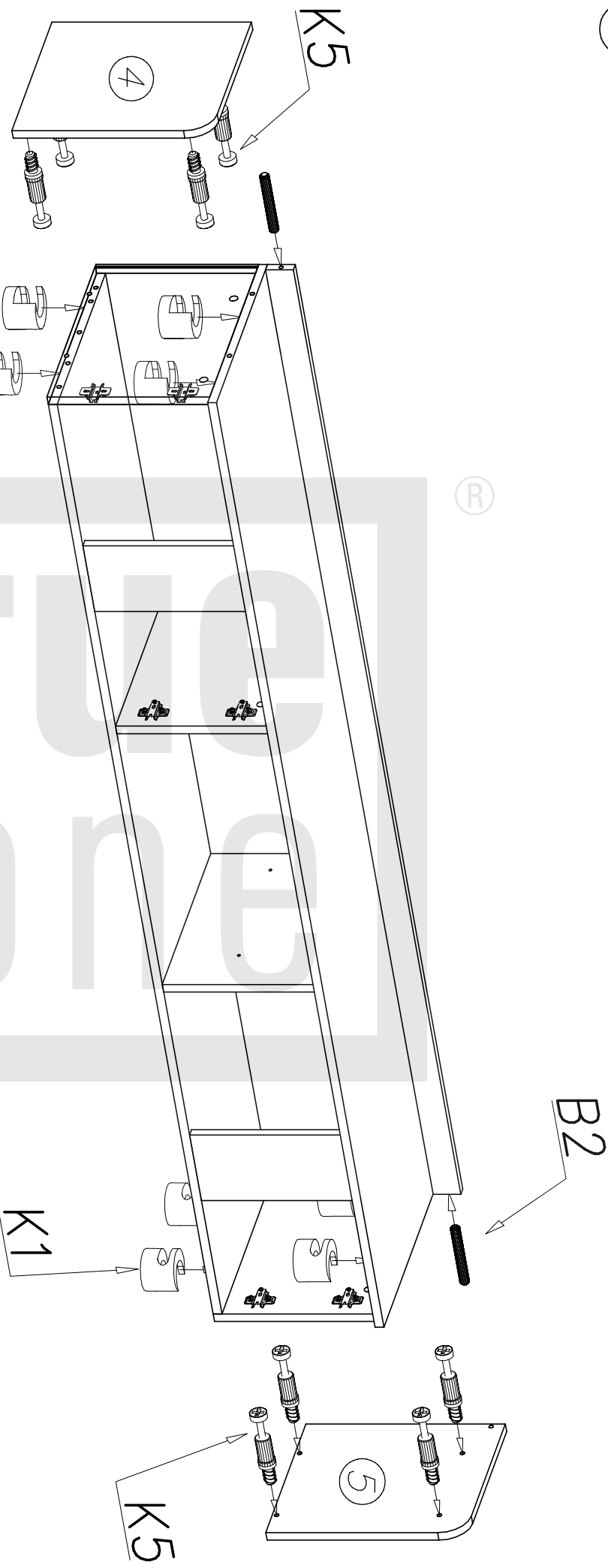


		B2 $\varnothing 6 \times 30$ x10	K5 x20	K1 $\varnothing 15 \times 12$ x20
P7 x6	W1 GLUE, LEIM, LEPIDLO, LIM x2	C15 Z35CL x8	D15 PZ35CL x8	I7 $\varnothing 18$ x20
	G4 4×16 x16	G2 3×20 x40	F1 x4	L9 x4
G10 6×13 x18	A1 $\varnothing 7 \times 50$ x4	B7 $\varnothing 8 \times 30$ x32	W2 x1	G1 4×13 x8

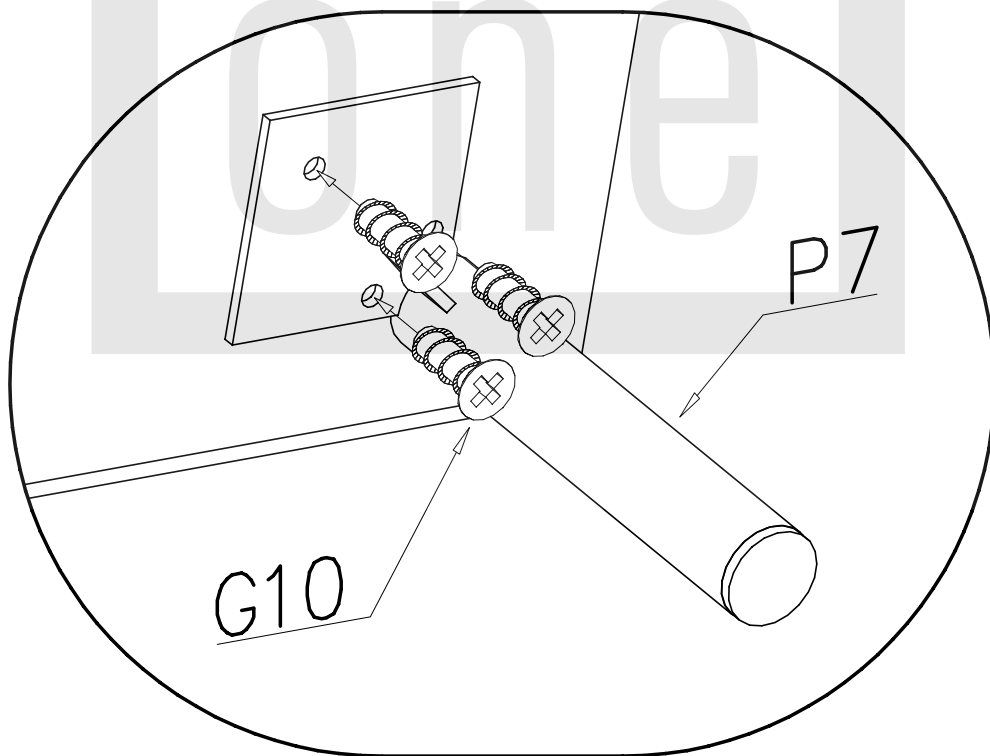
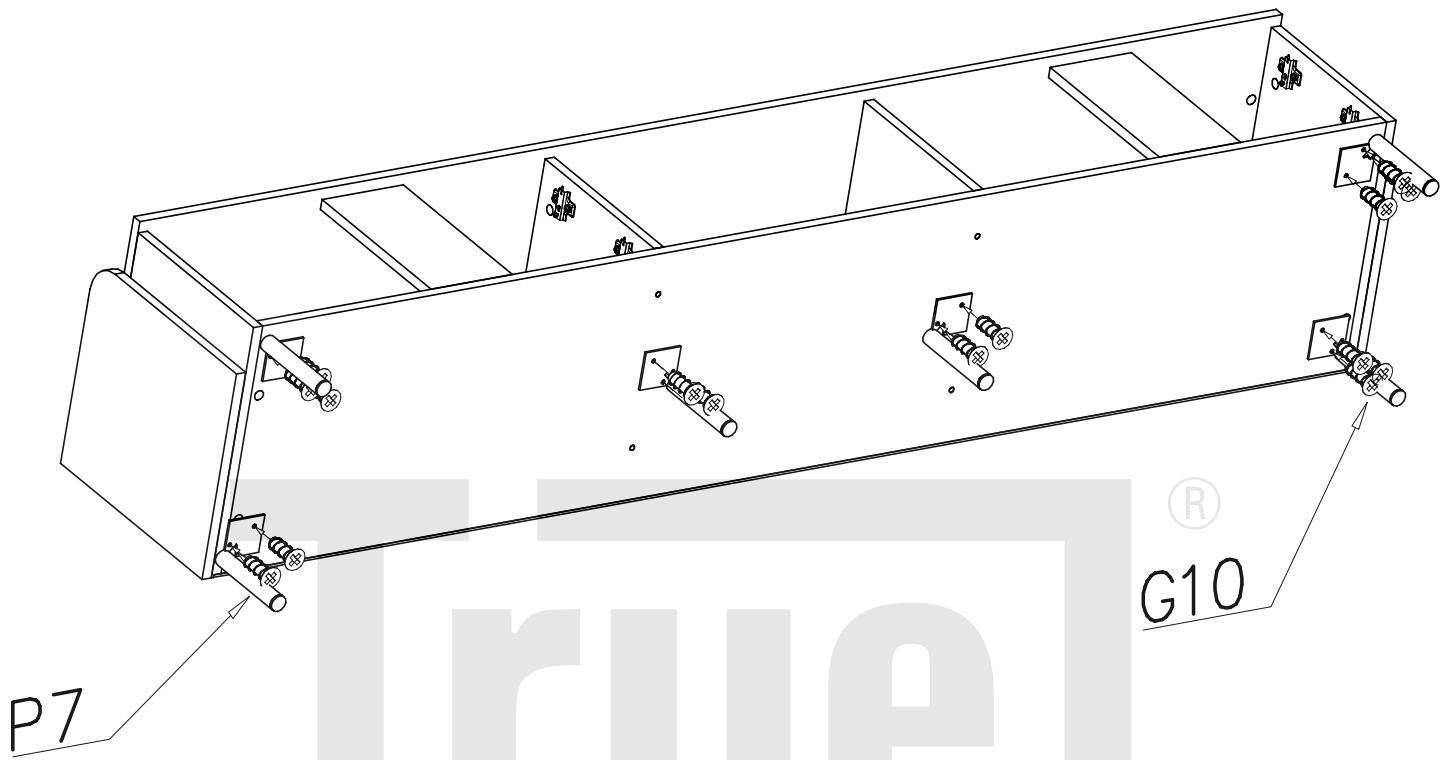


11

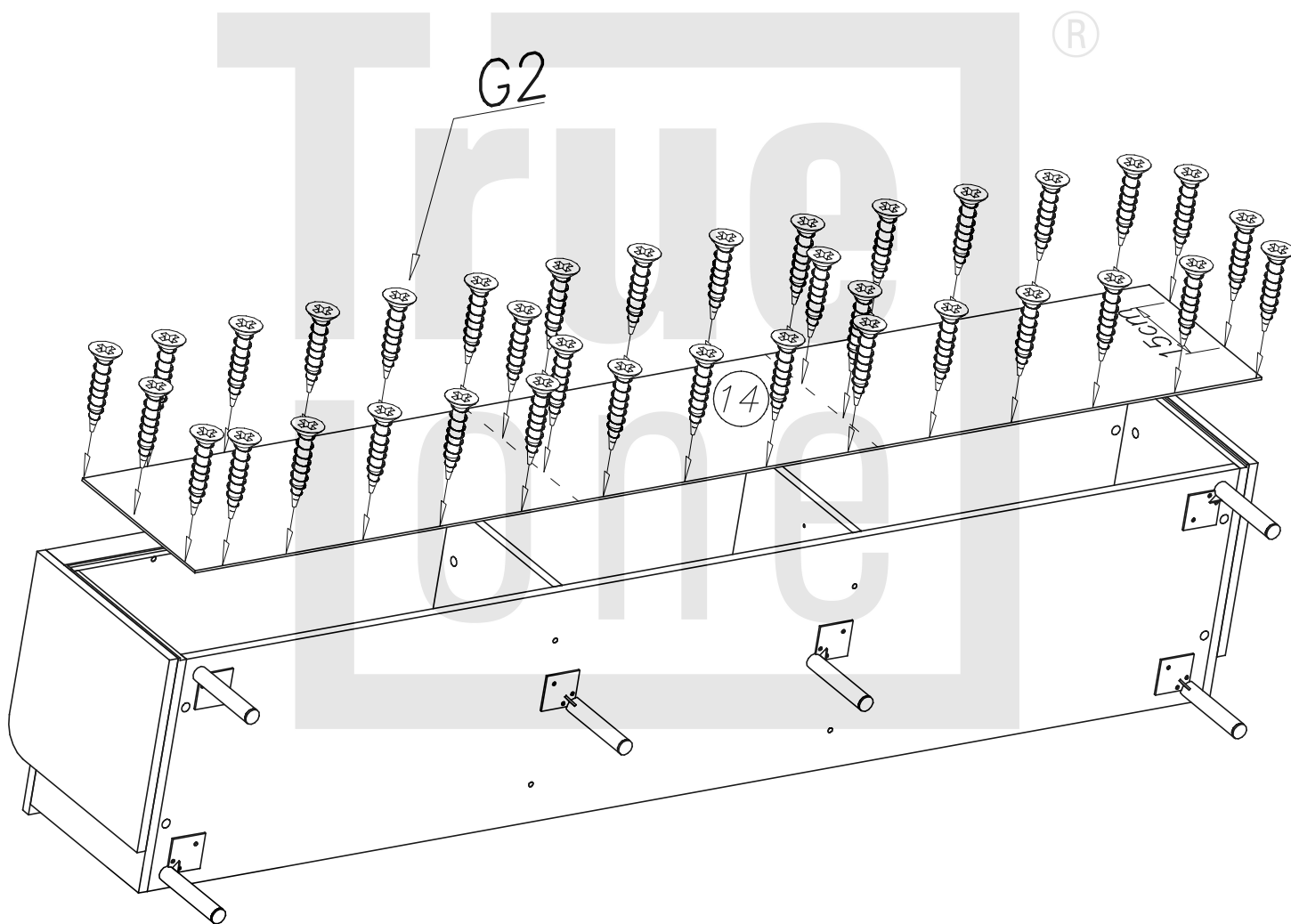
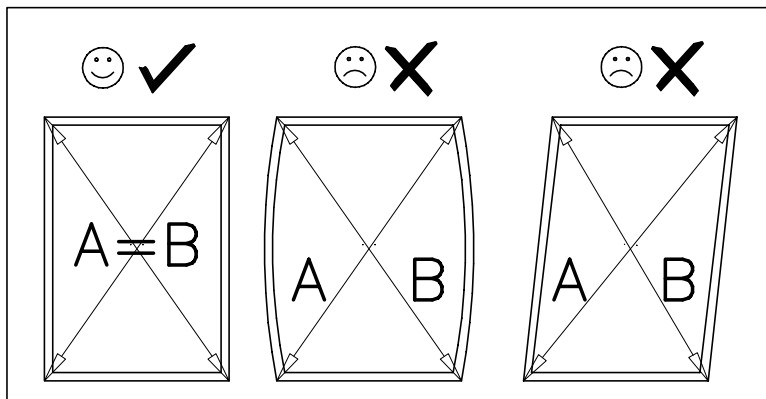




IV

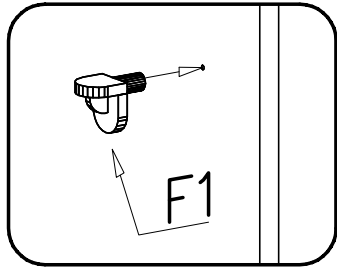


V

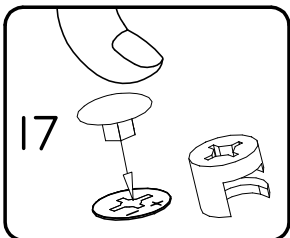
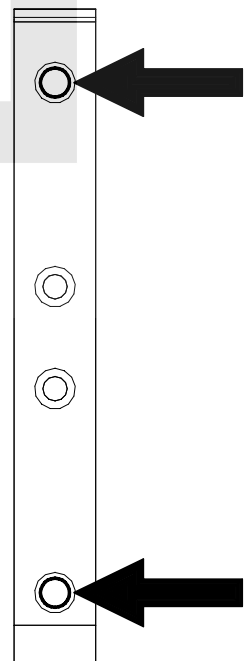
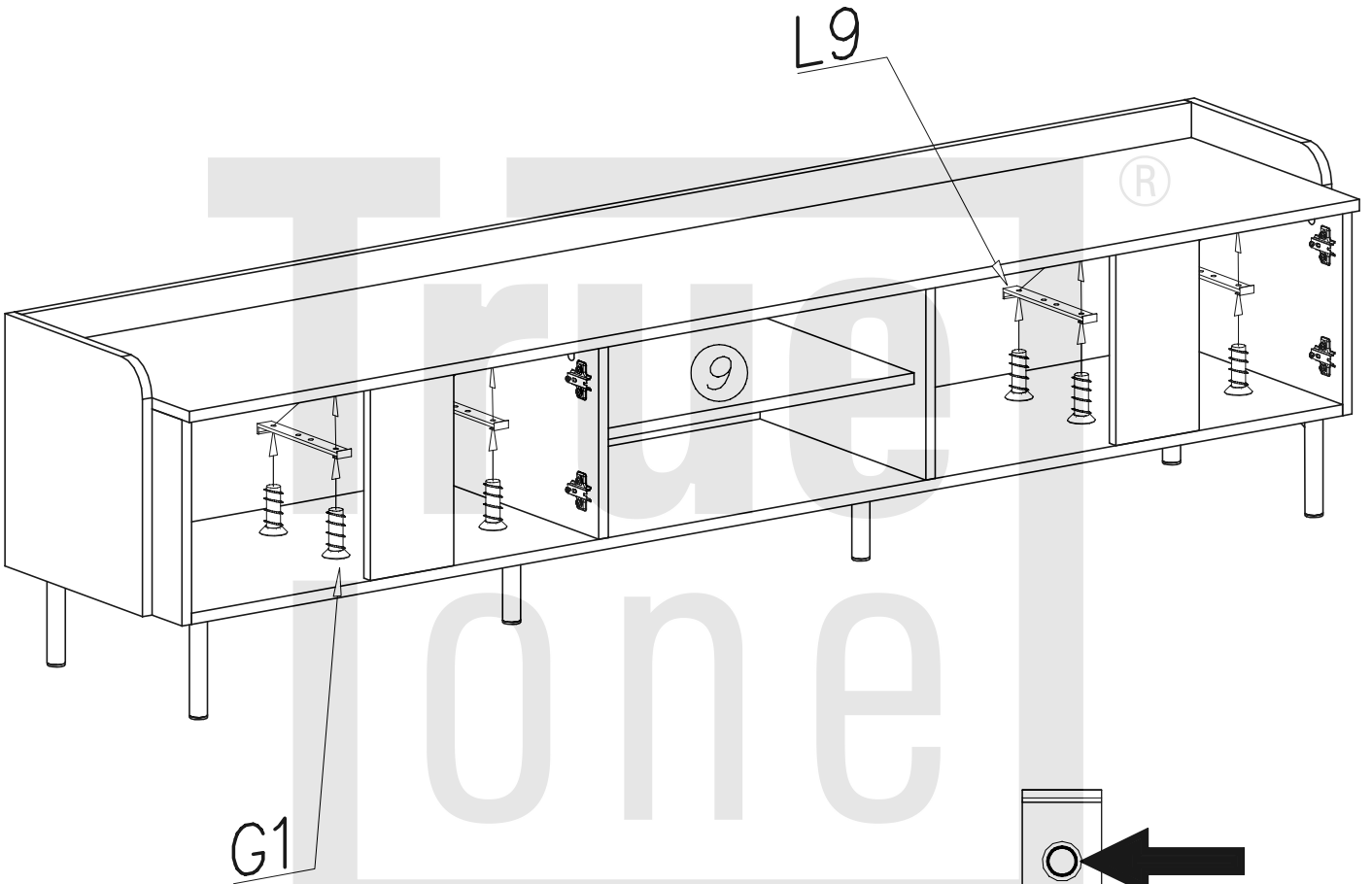
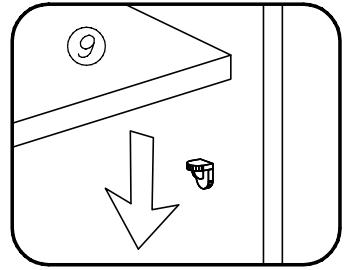


VI

1

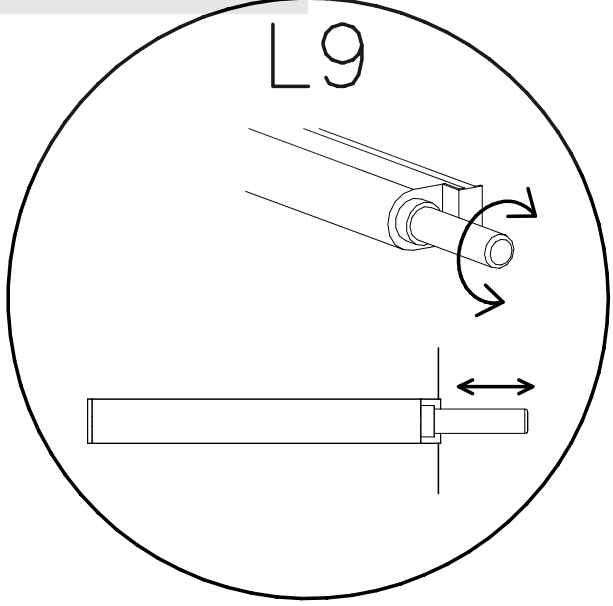
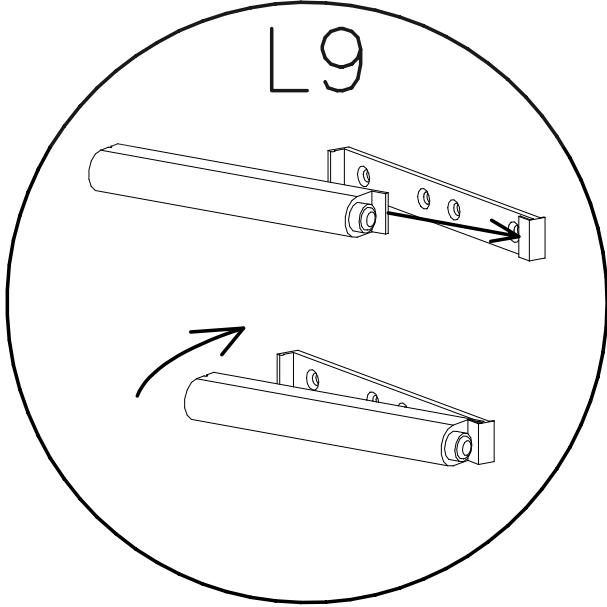
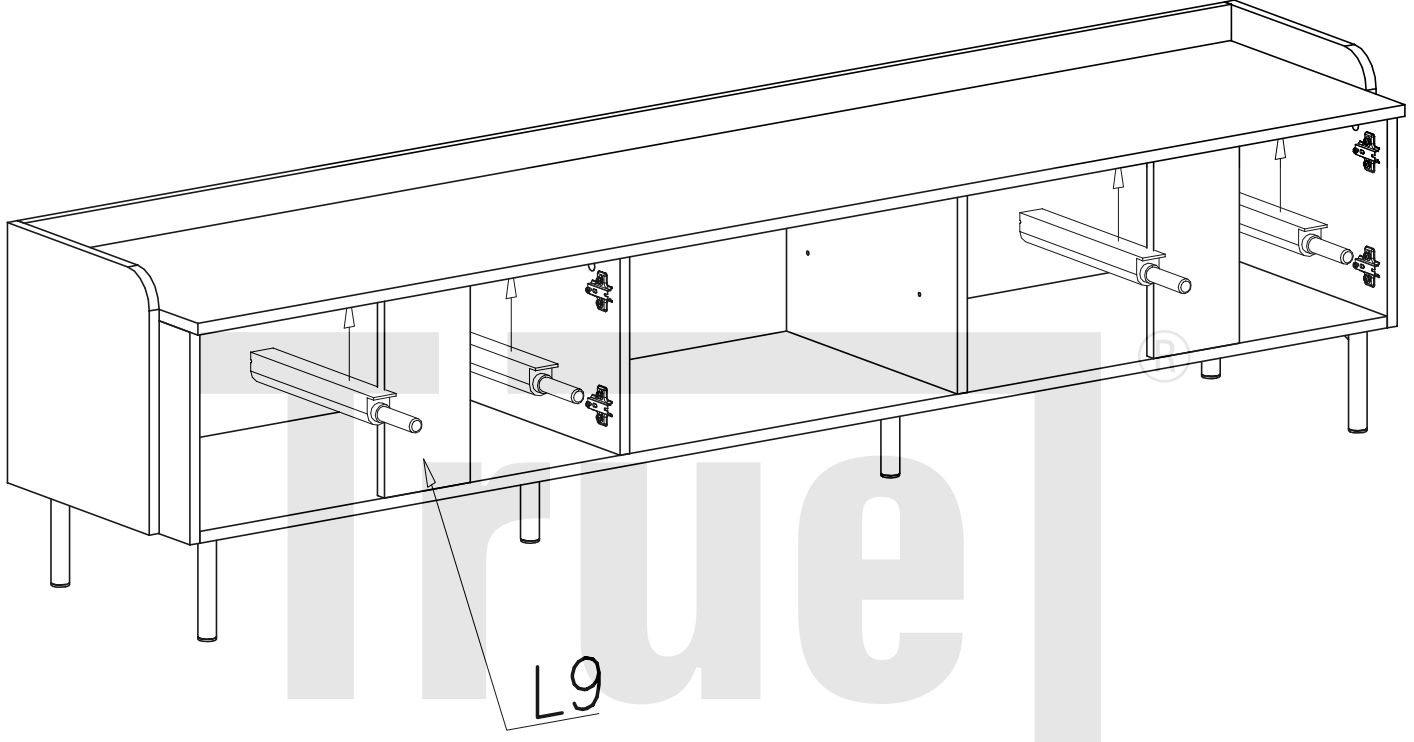


2

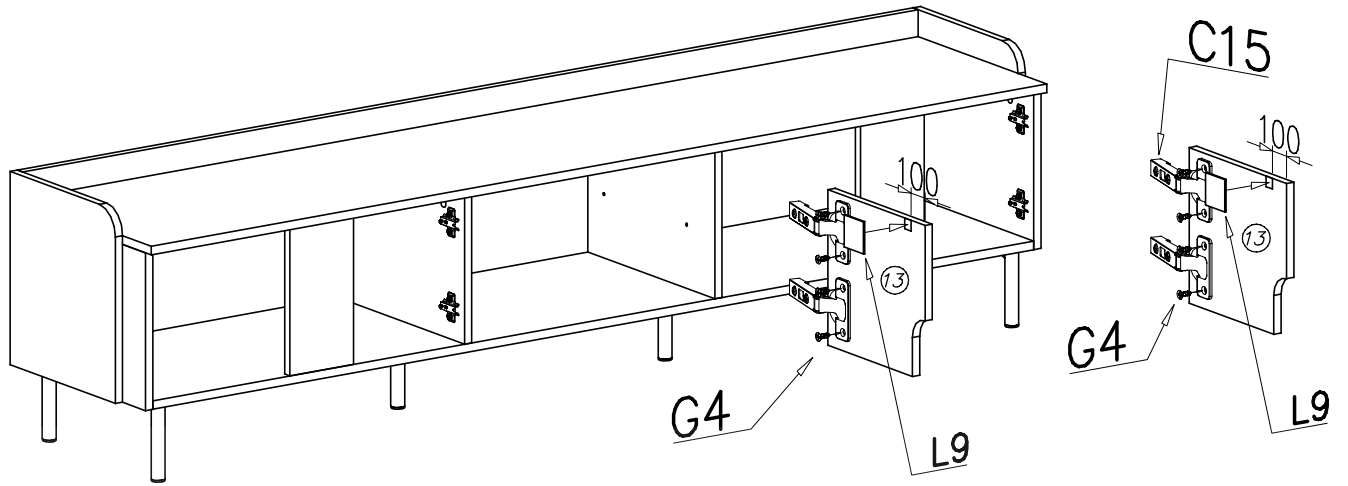


front

VII



VIII



IX

