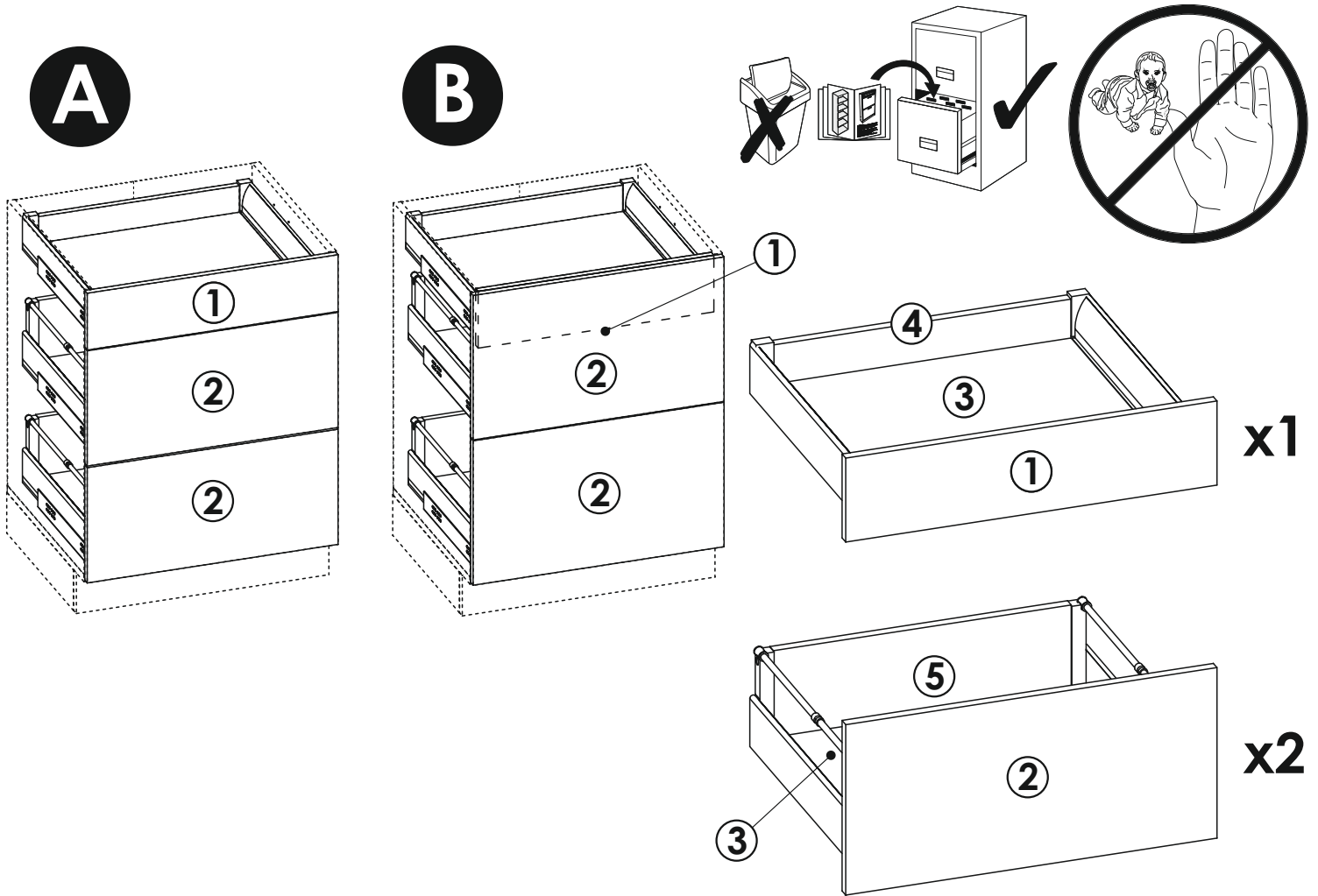
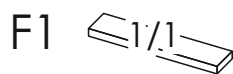
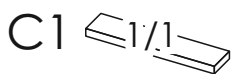
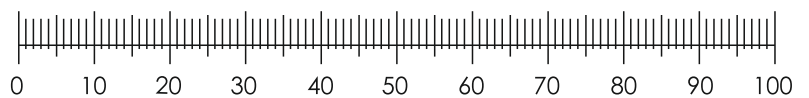


KPL SZUF D3E

KPL SZUF D3E 50, 60, 80, 90 / D2E-1E 60, 80, 90 / D14 RU 3E

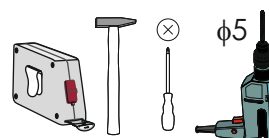
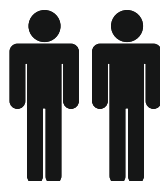


c1 Euro 4x13 x...(x12)	c2 Euro 5x13 x...(x24)	d5 x...(x6)	i5 3,5x30 x...(x12)	i6 3,5x40 x...(x6)	it0 x...(x3)	it1 x...(x3)	it2 x...(x6)	it3 x...(x1)
it4 x...(x1)	it5 x...(x2)	it6 x...(x2)	it7 x...(x4)	it8 x...(x4)	n2 3,5x16 x...(x22)	p0 ø5 x...(x6)	p14 ø10 x...(x4)	



- ③ -C1
- ④ -C1
- ⑤ -C1

- ① -F1
- ② -F1



- 60 min.

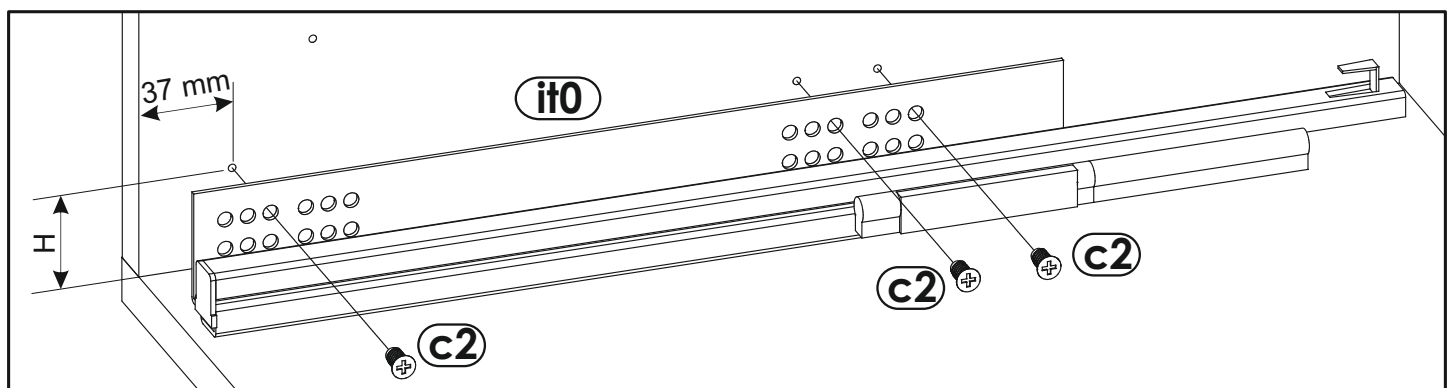
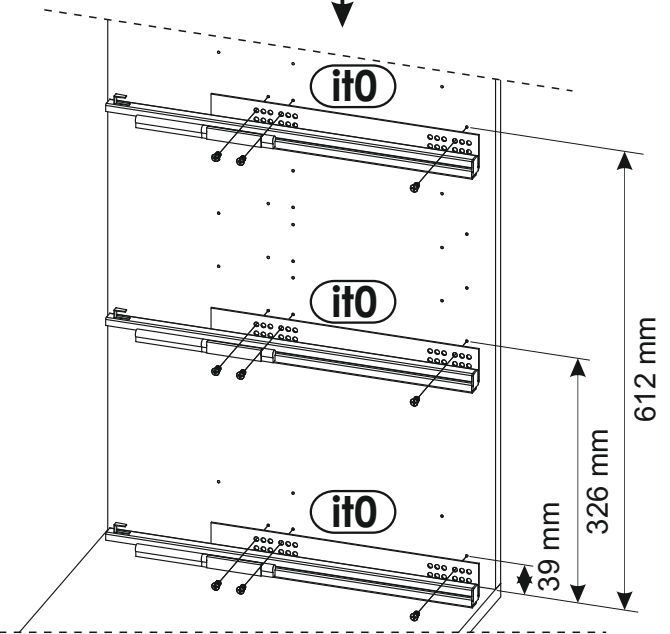
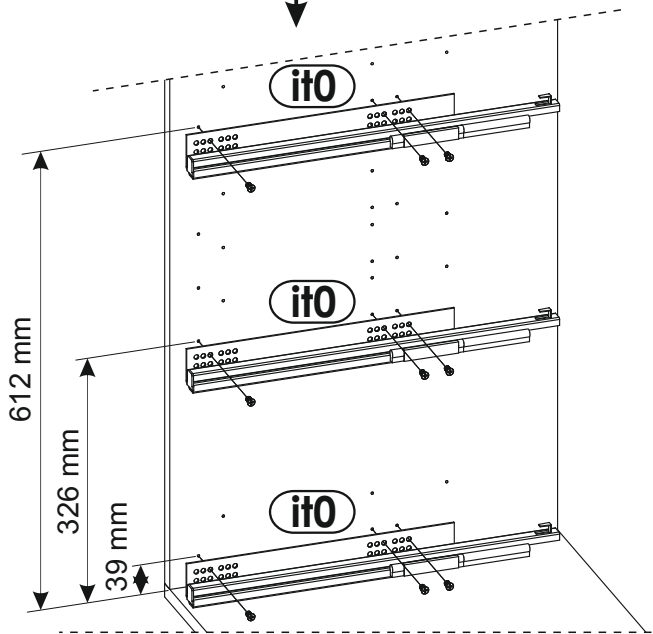
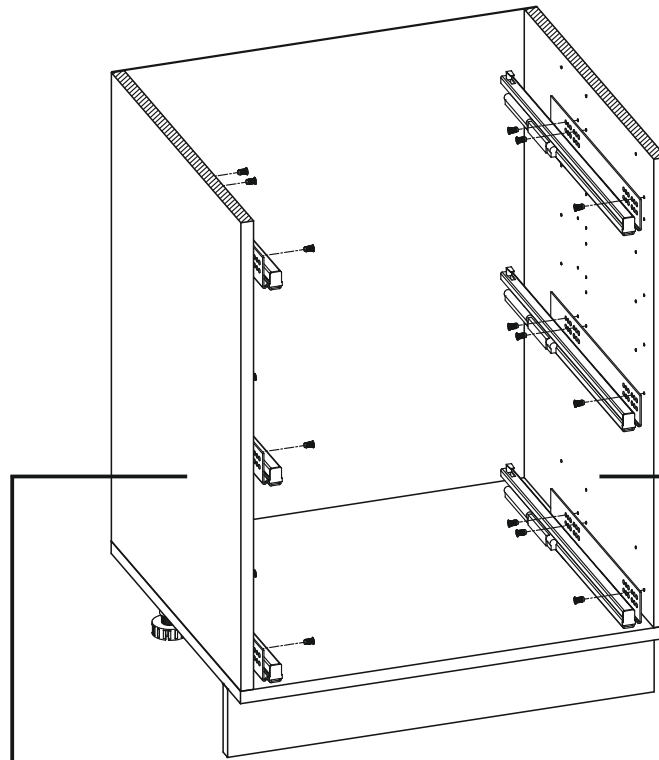
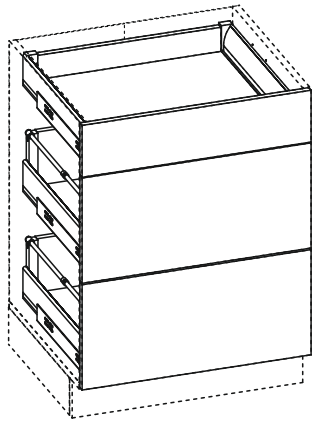


1A
▼

A

c2
Euro 5x13
x18

it0
x3

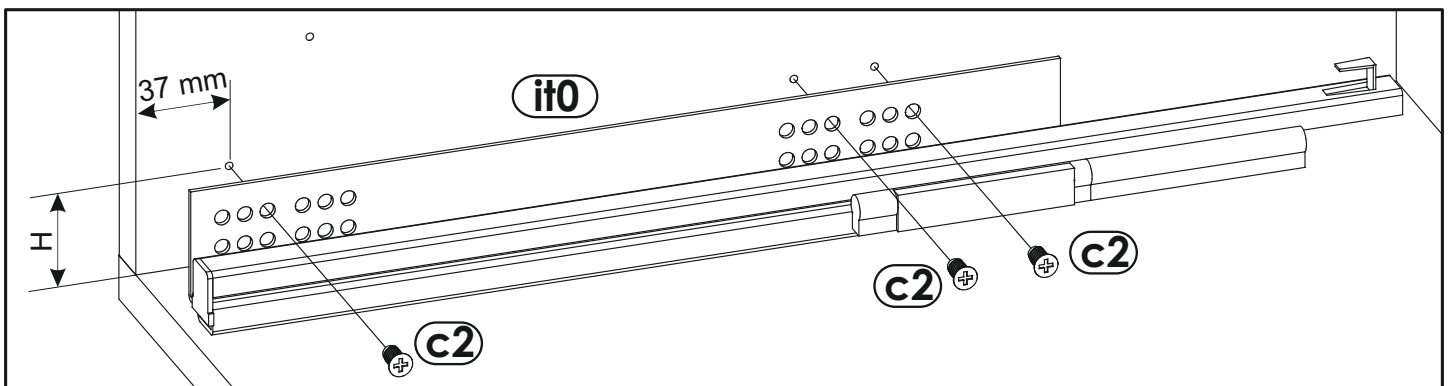
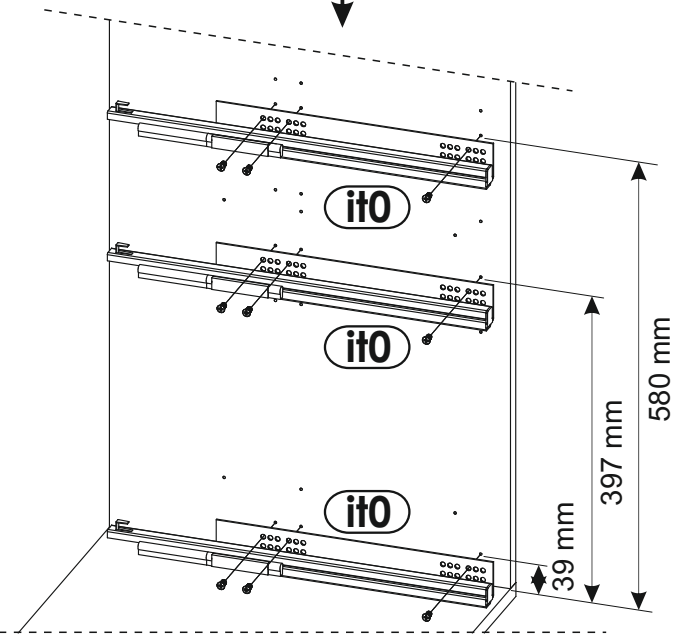
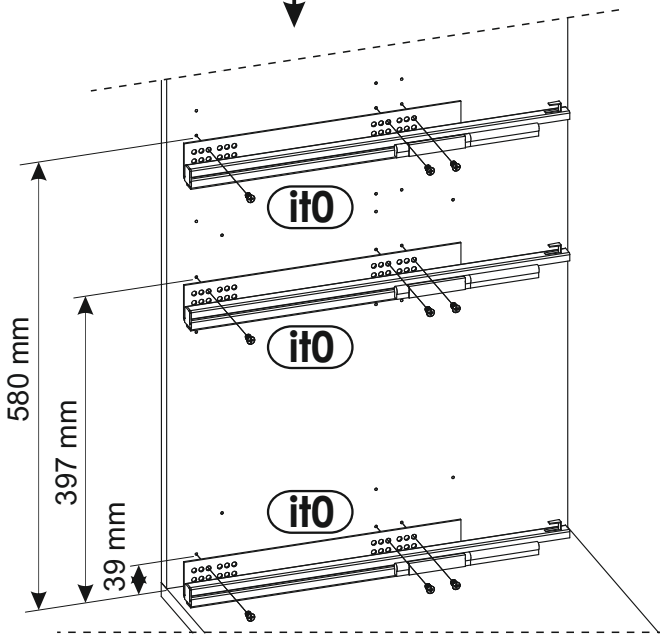
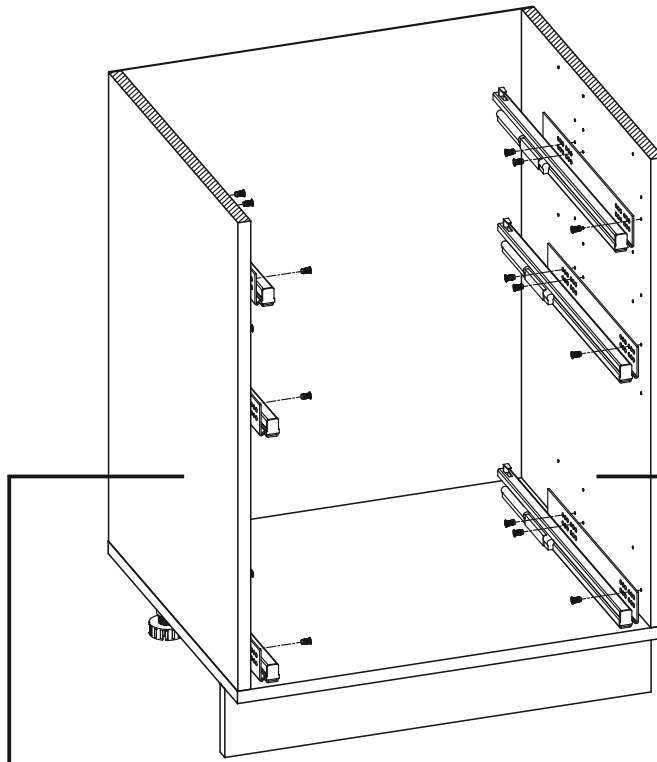
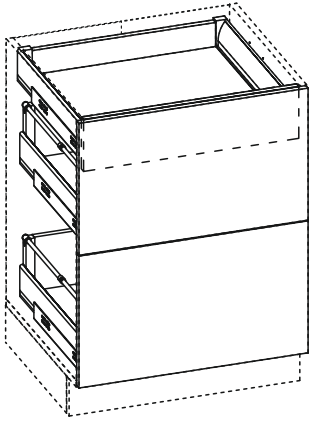


1B

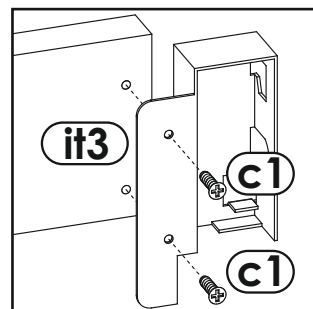
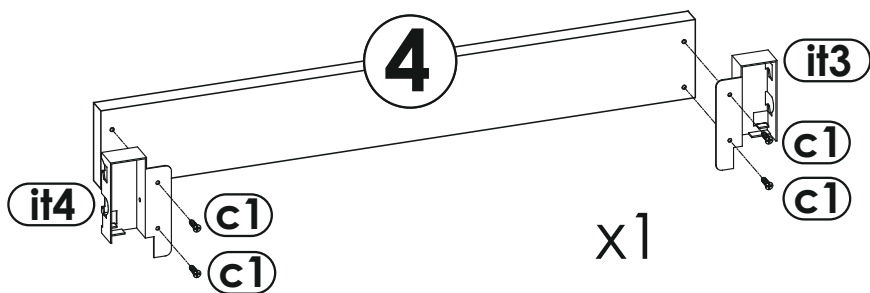
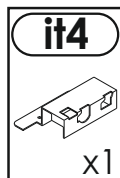
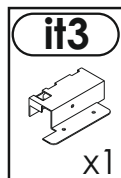
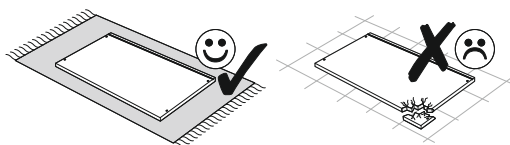
B

c2
Euro 5x13
x18

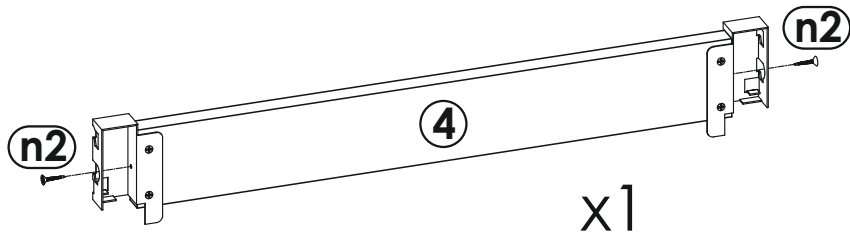
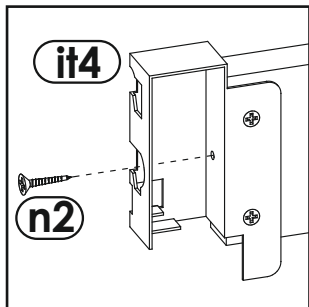
it0
x3



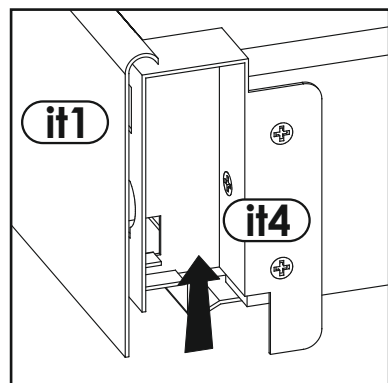
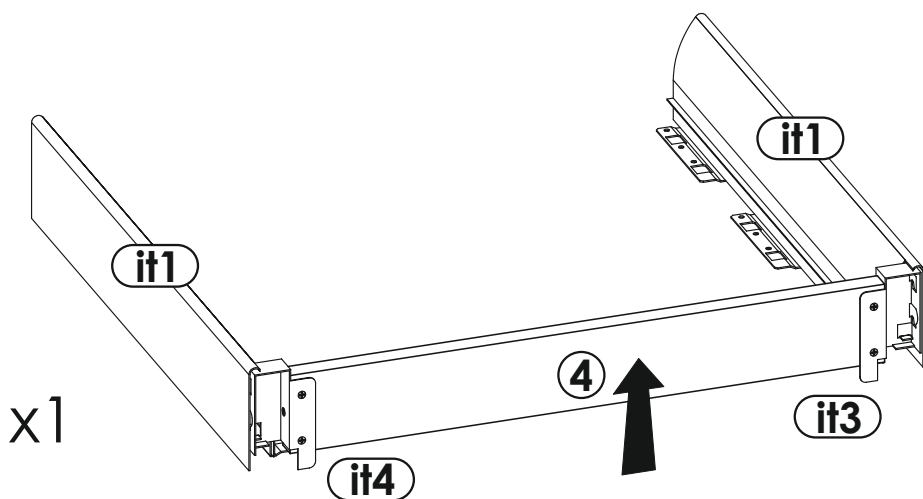
2



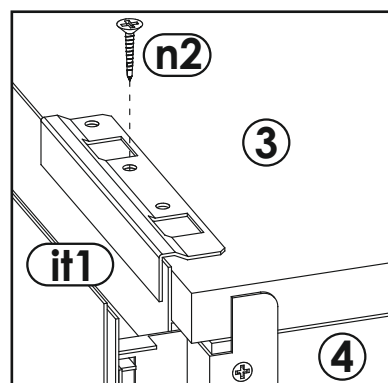
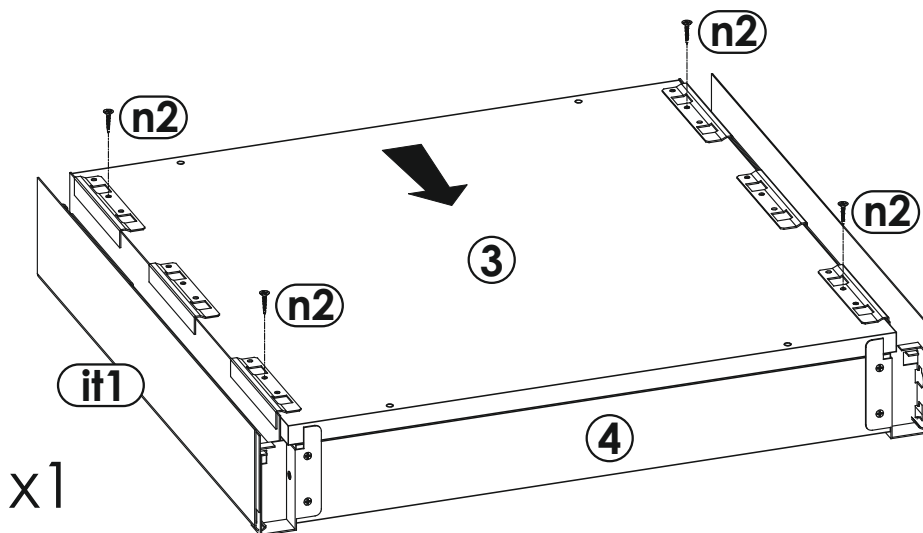
3

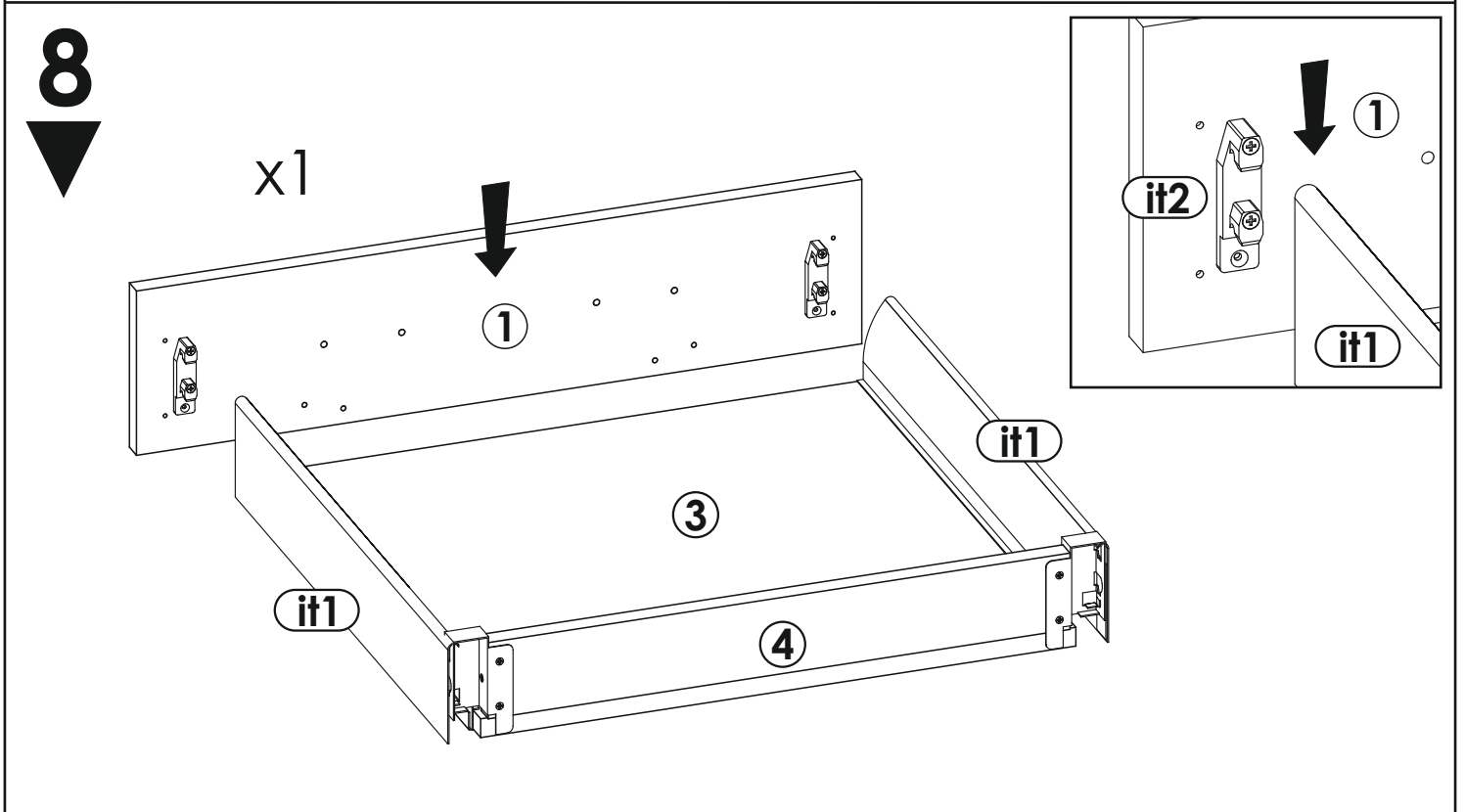
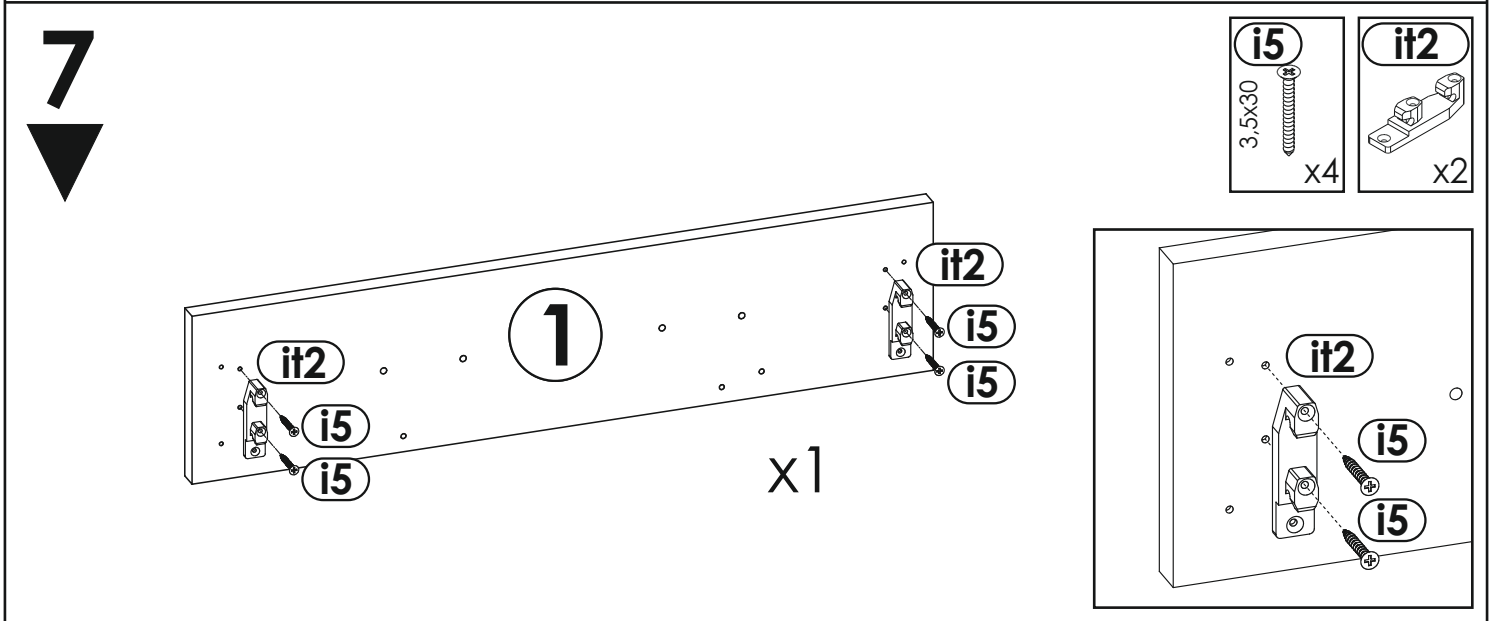
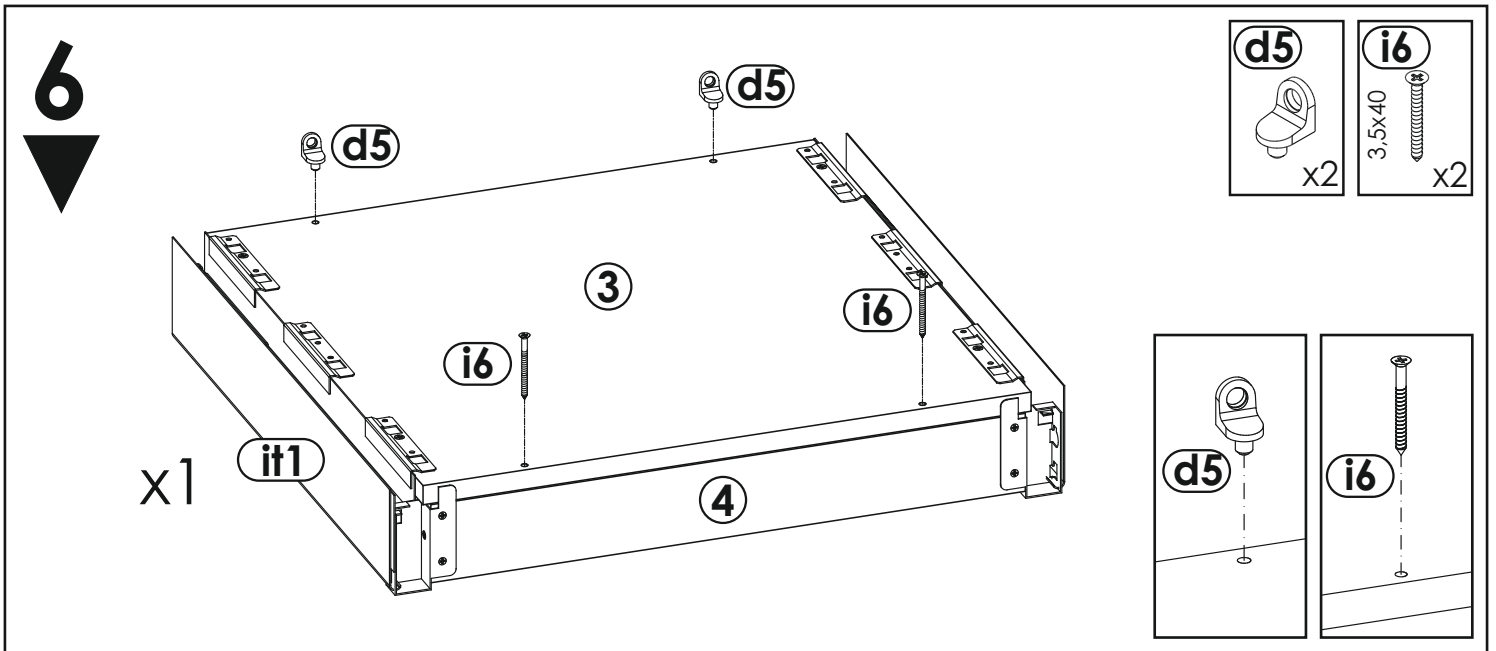


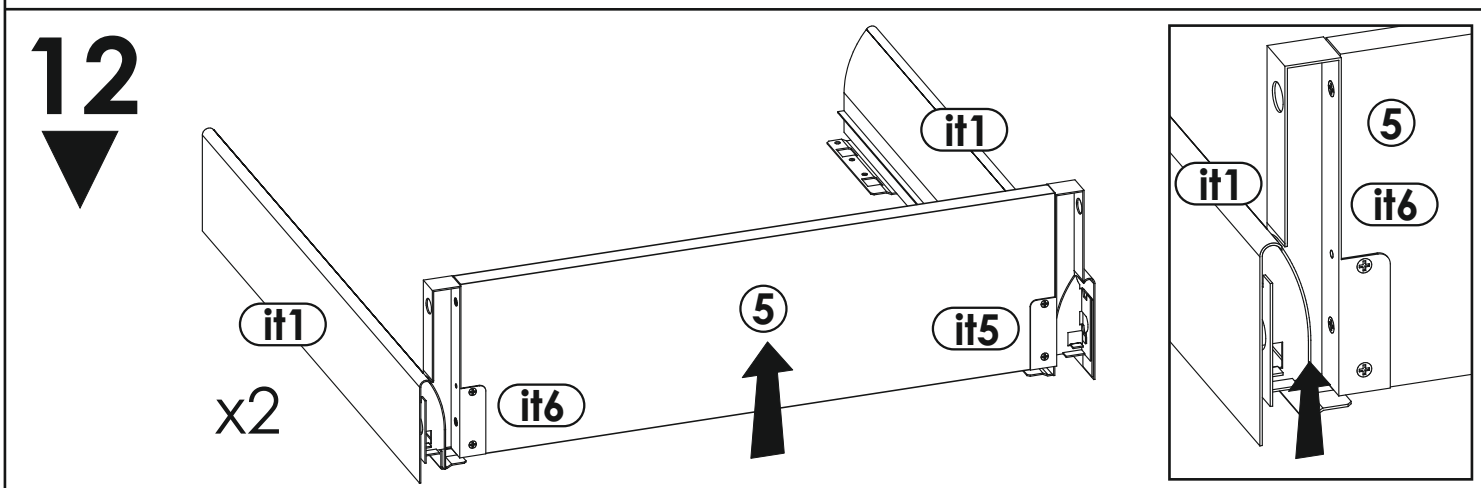
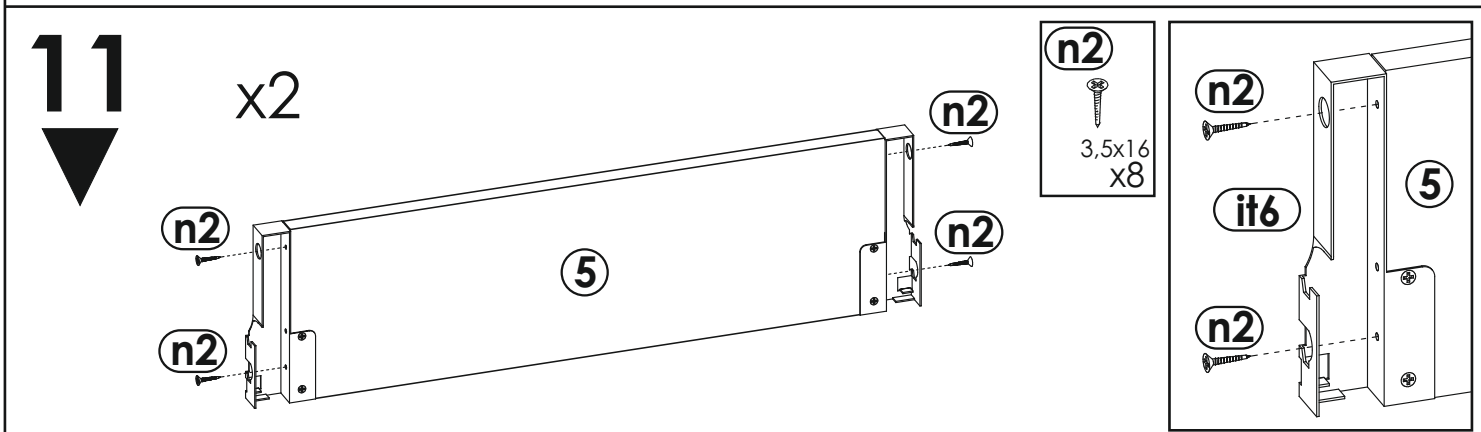
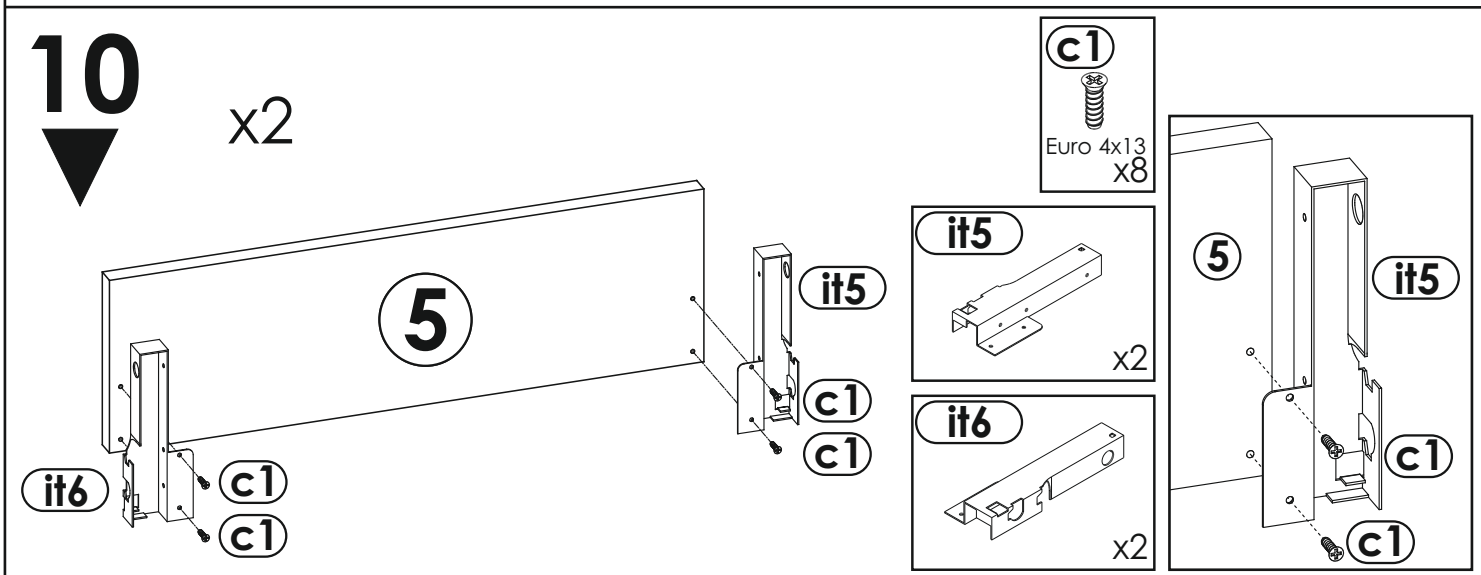
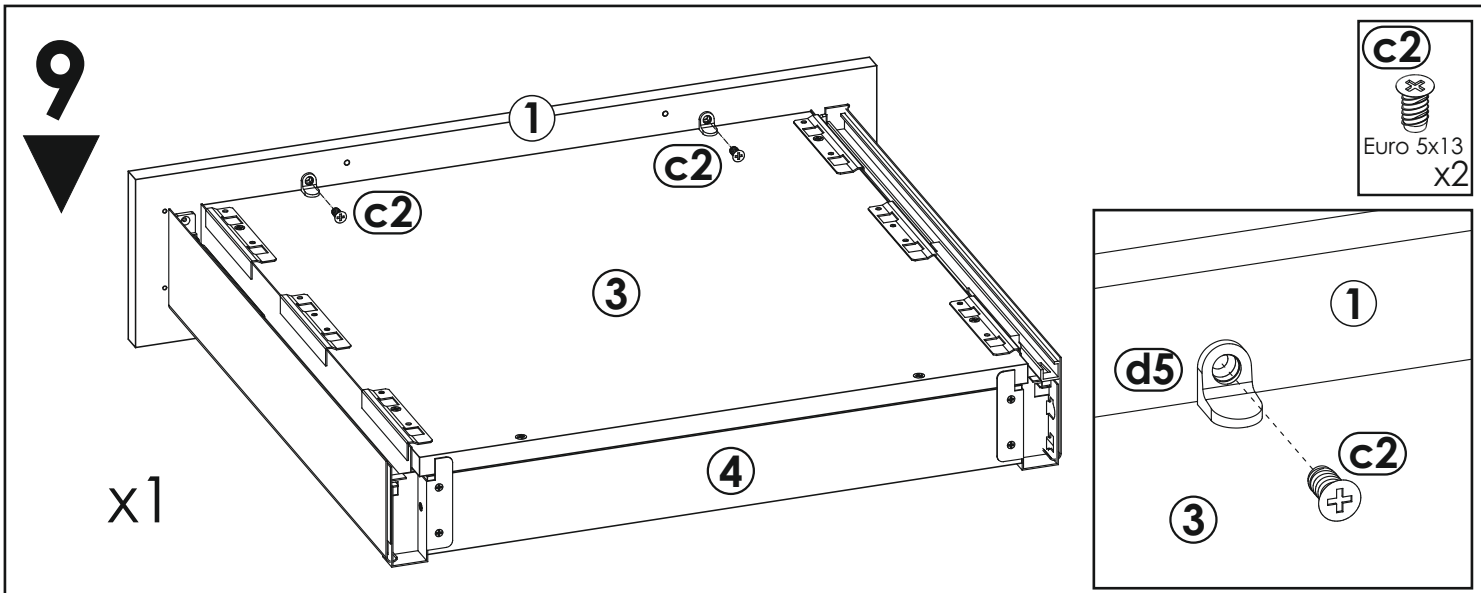
4



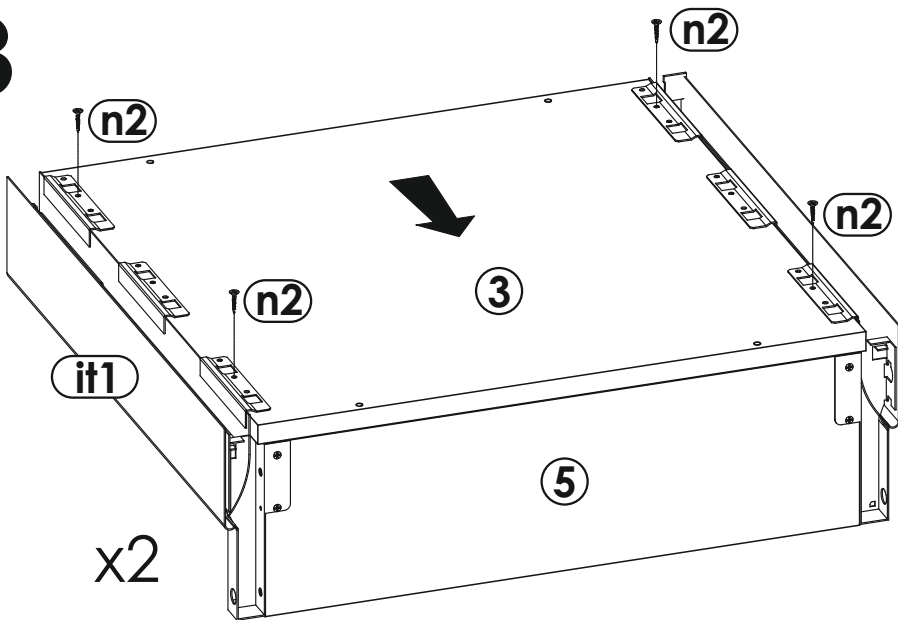
5





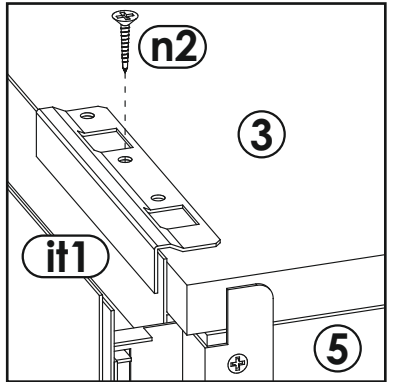


13

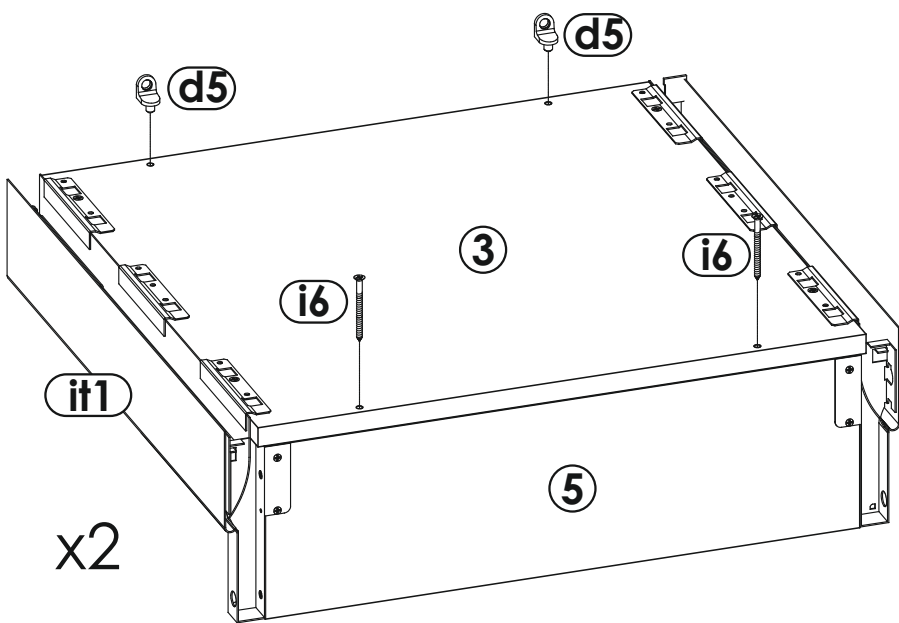


n2

 3,5x16
 x8



14

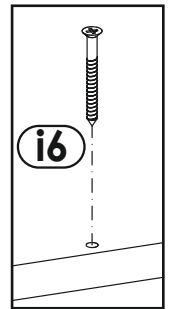
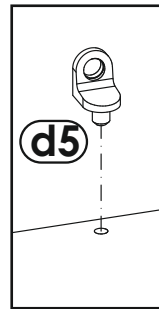


d5

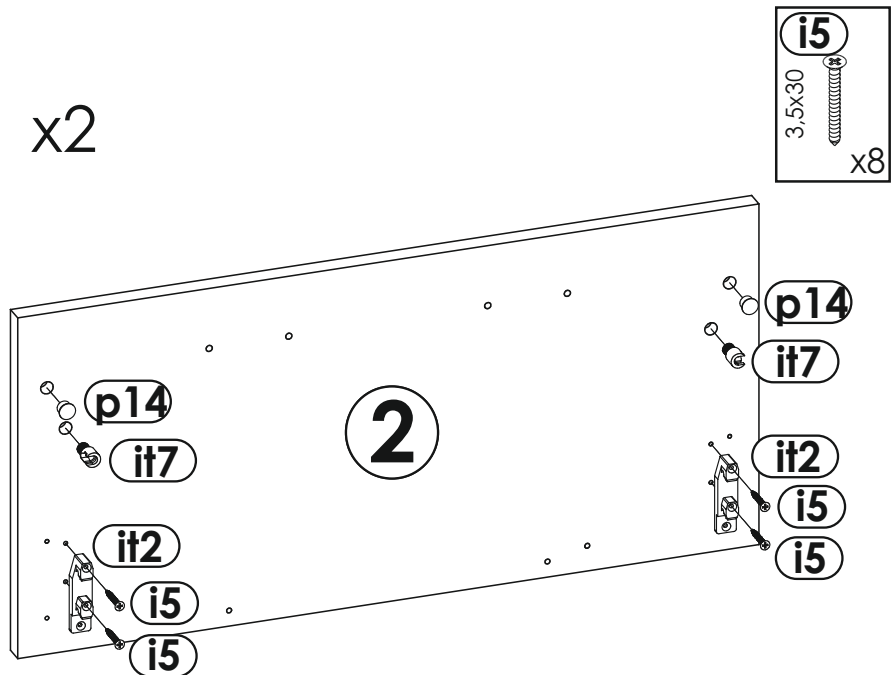
 x4

i6

 3,5x40
 x4



15



i5

 3,5x30
 x8

it2

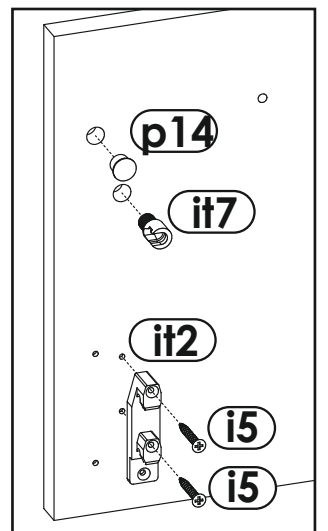
 x4

it7

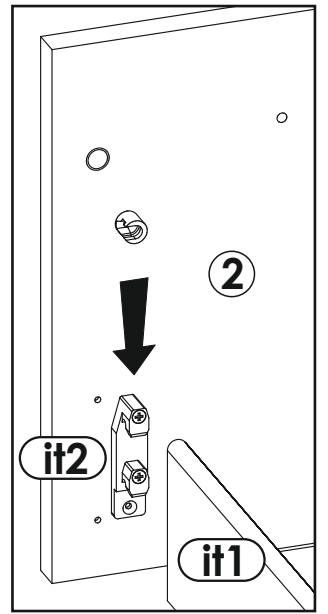
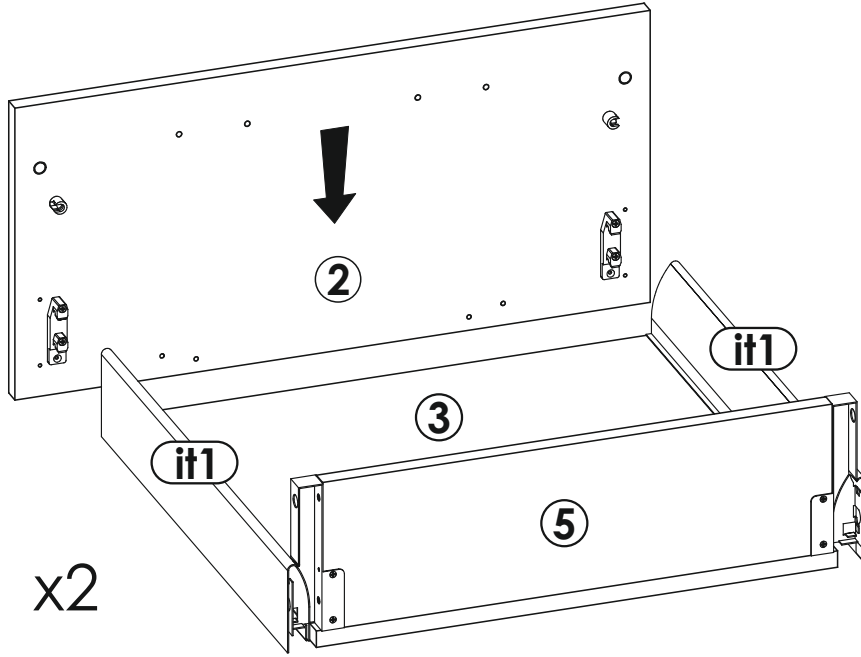
 x4

p14

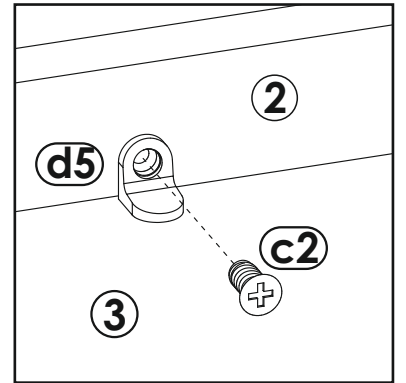
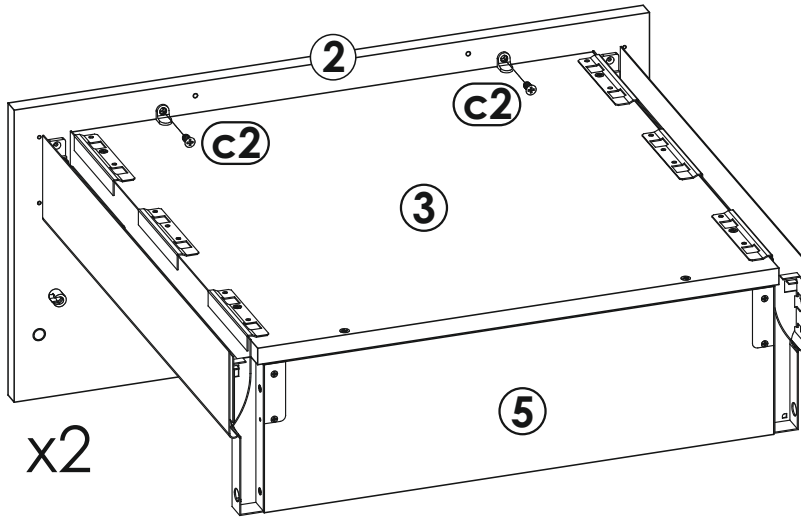
 ø10
 x4



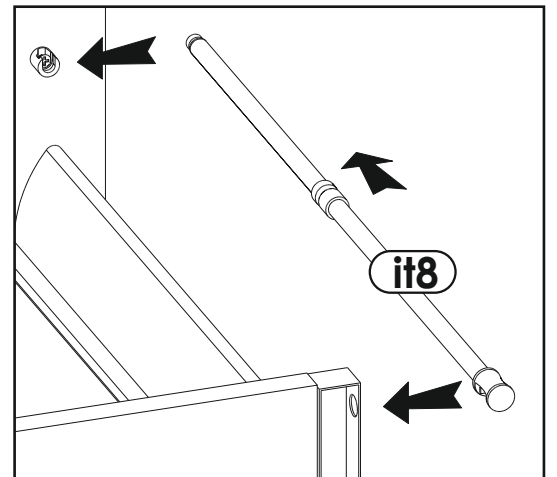
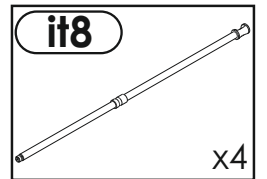
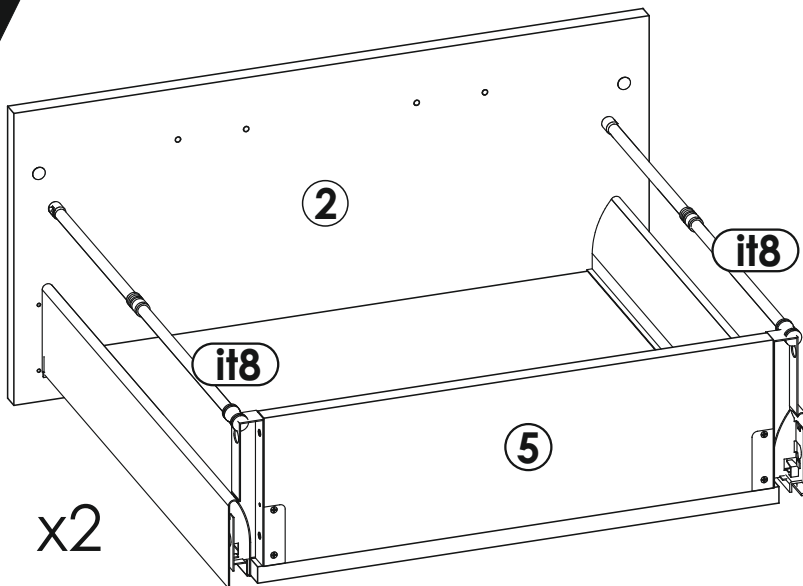
16



17

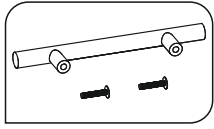
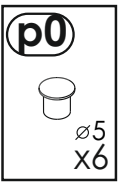
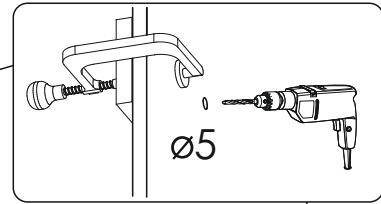
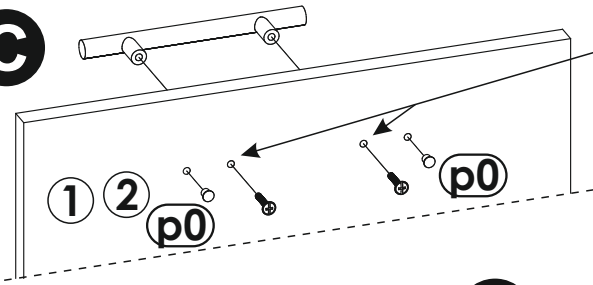


18

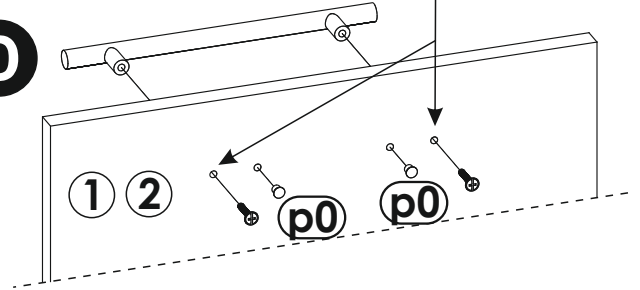


19
▼

C

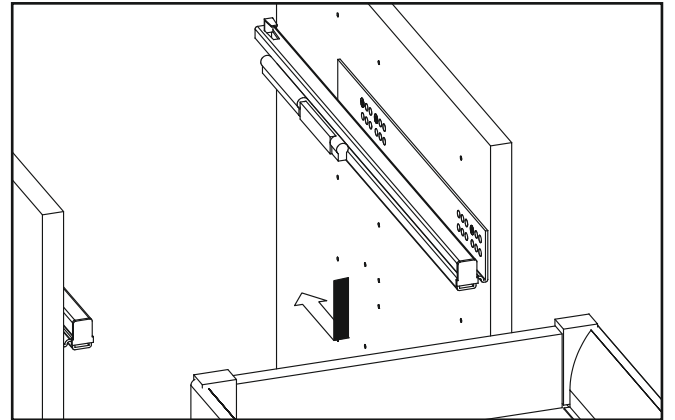
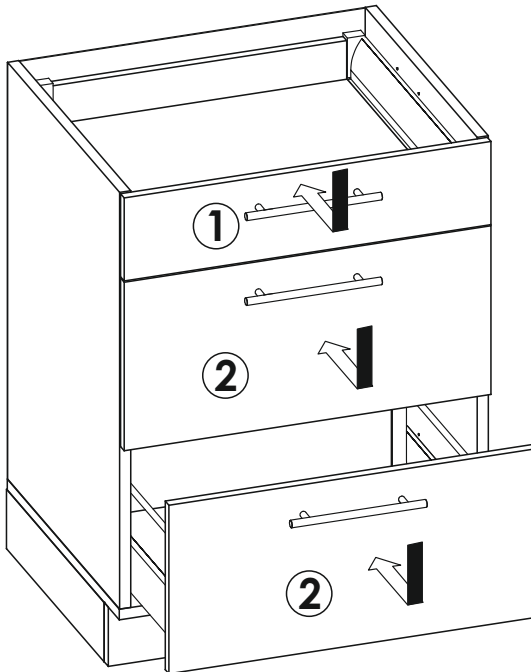


D



20
▼

A



B

