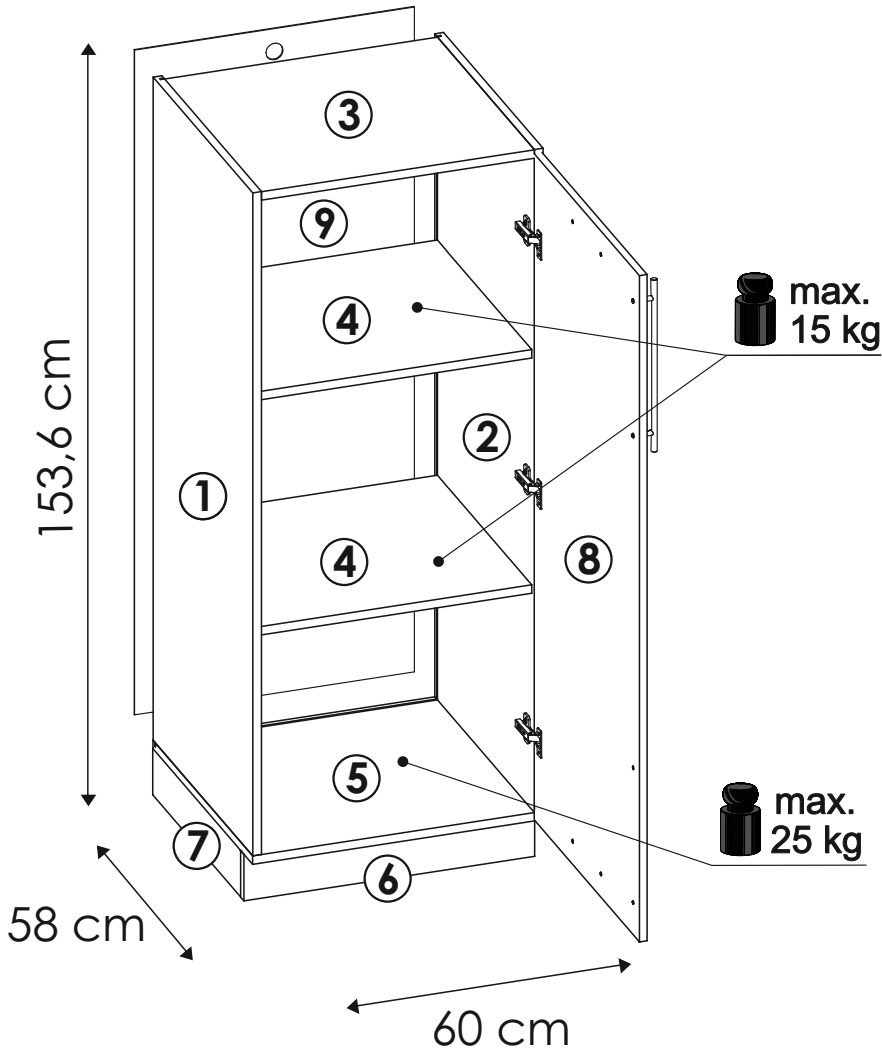
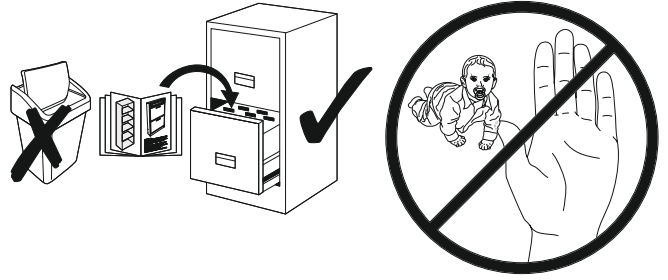
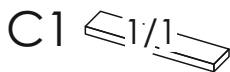


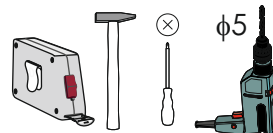
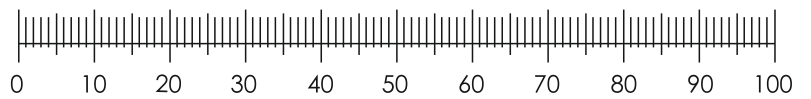
# D5D 60

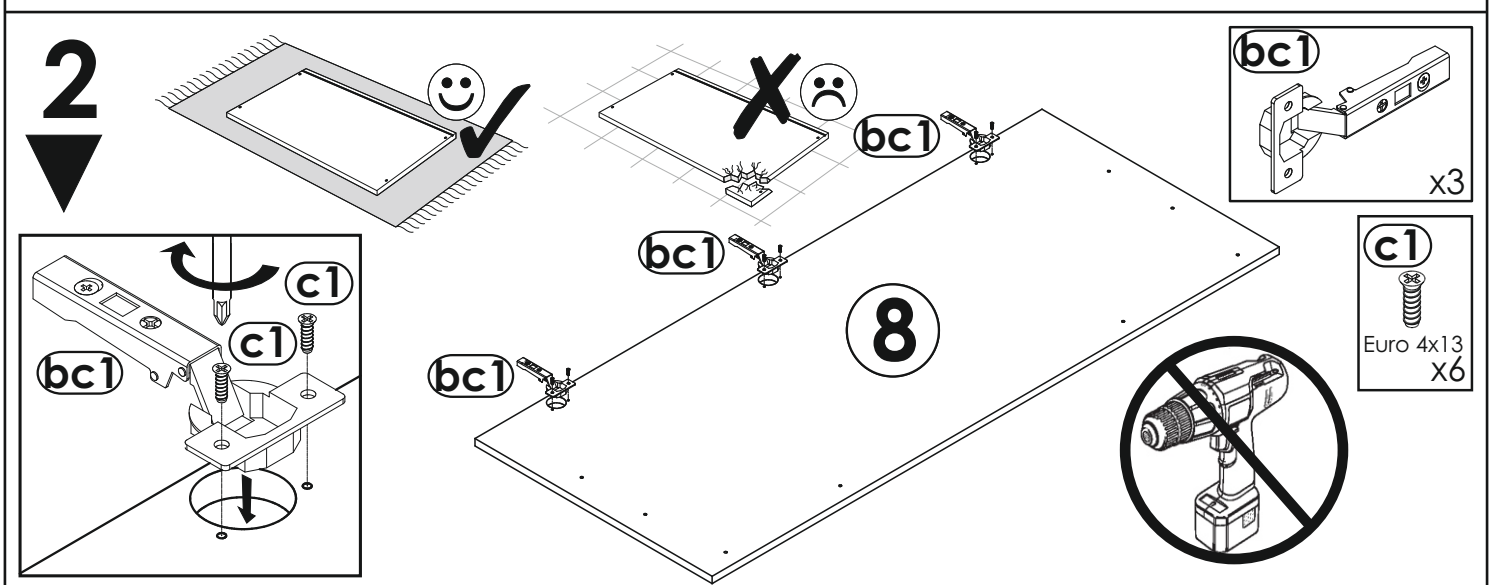
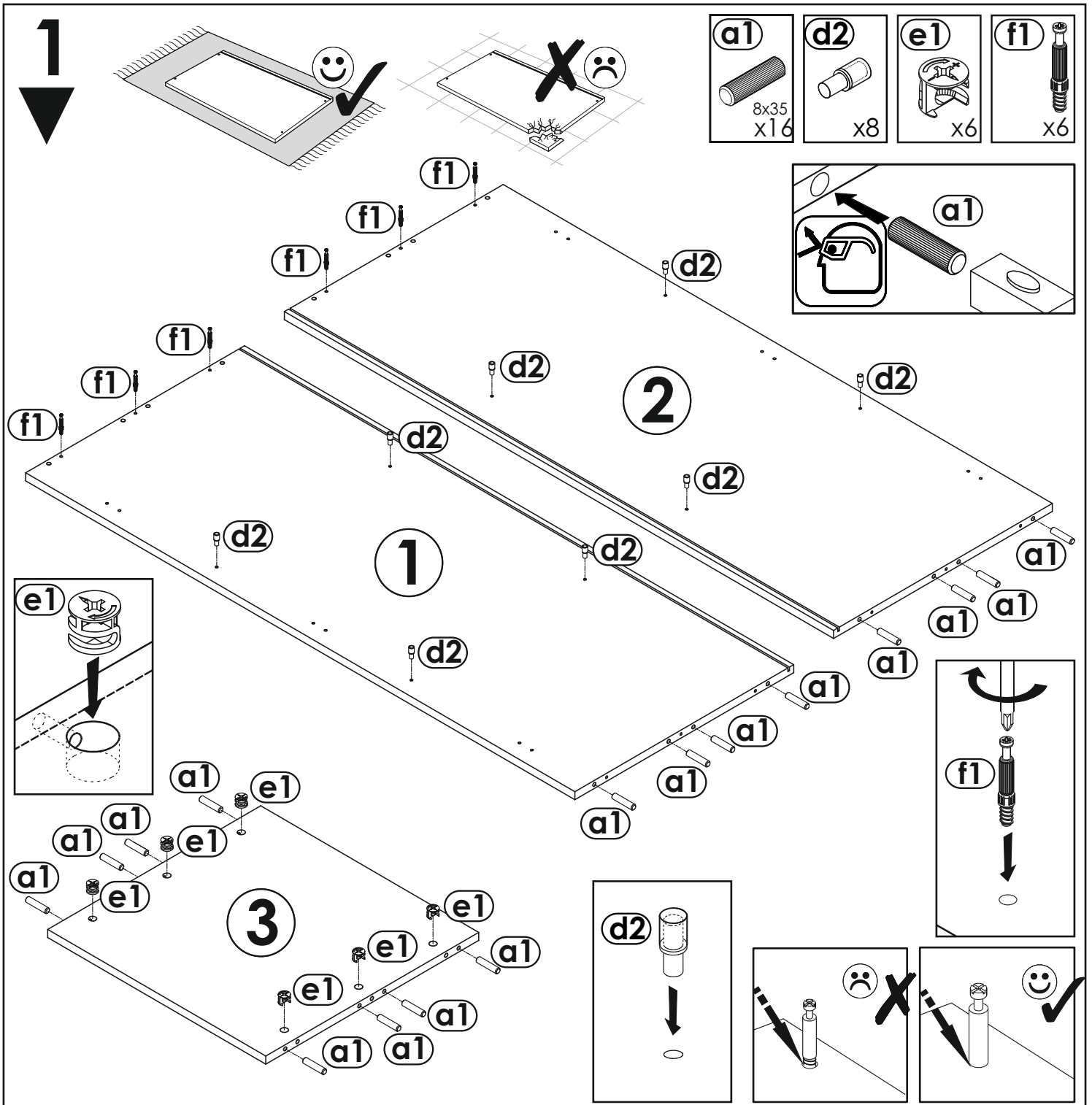


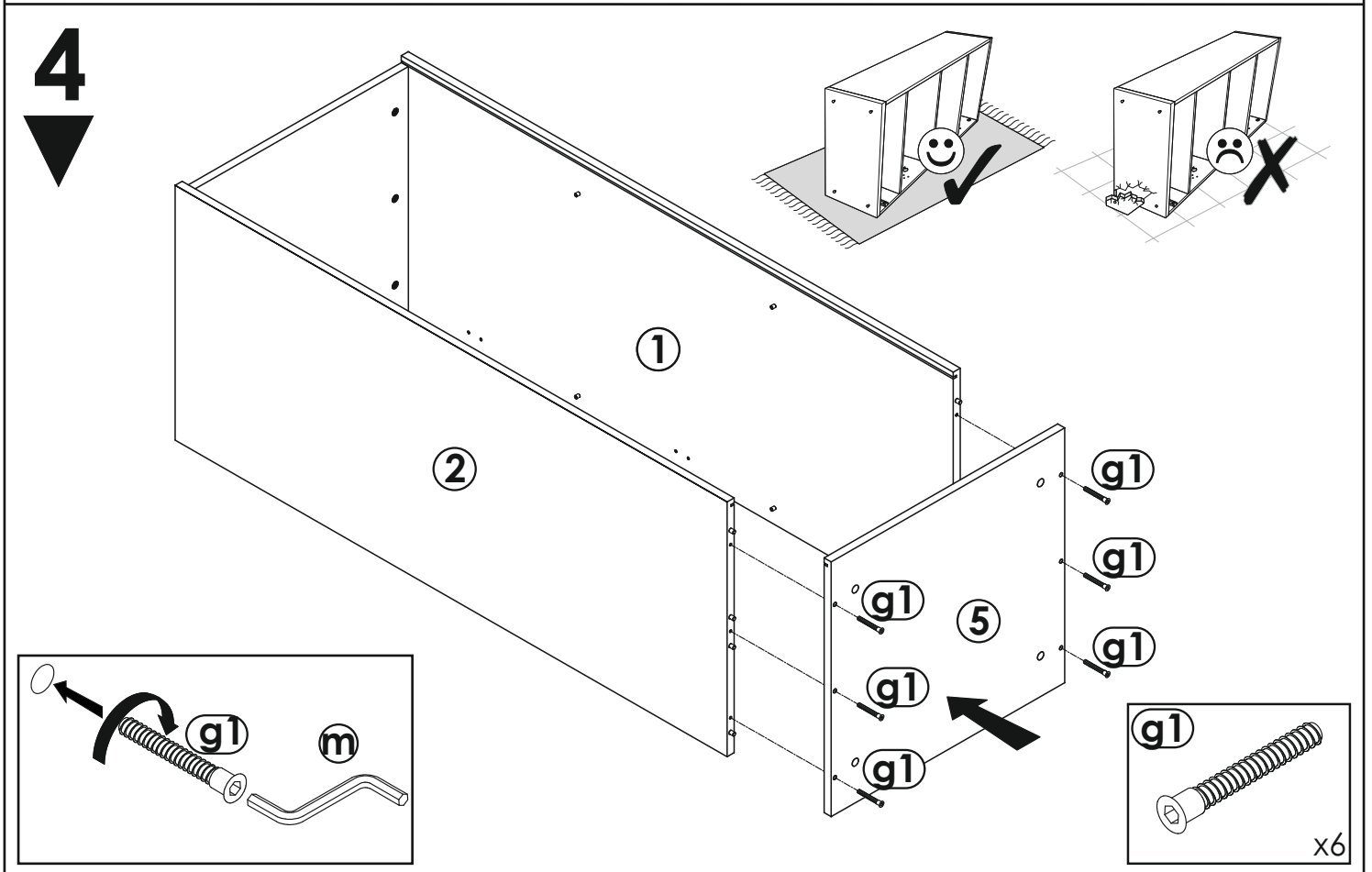
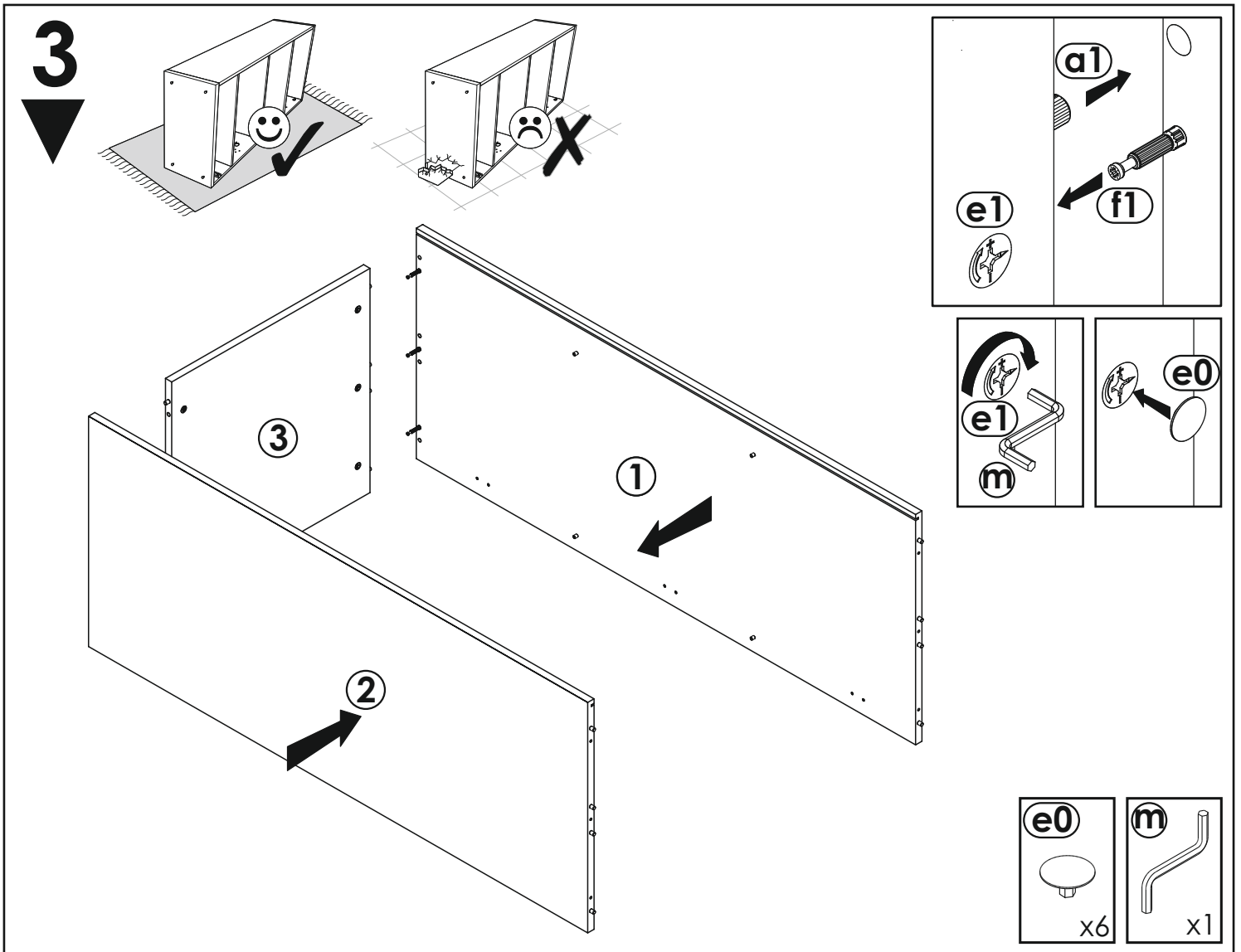
<b>a1</b> 8x35 x...(x16)	<b>c1</b> Euro 4x13 x...(x6)	<b>bc0</b> x...(x3)
<b>bc1</b> x...(x3)	<b>d2</b> x...(x8)	<b>e0</b> x...(x6)
<b>e1</b> x...(x26)	<b>f1</b> x...(x6)	<b>g1</b> x...(x6)
<b>h1</b> x...(x1)	<b>k3</b> 4x22 x...(x2)	<b>m</b> x...(x1)
<b>n1</b> 3x16 x...(x10)	<b>n2</b> 3,5x16 x...(x24)	<b>p01</b> x...(x12)
<b>o1</b> x...(x4)	<b>o2</b> x...(x4)	<b>w16</b> x...(x2)
<b>r4</b> x...(x14)		



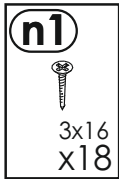
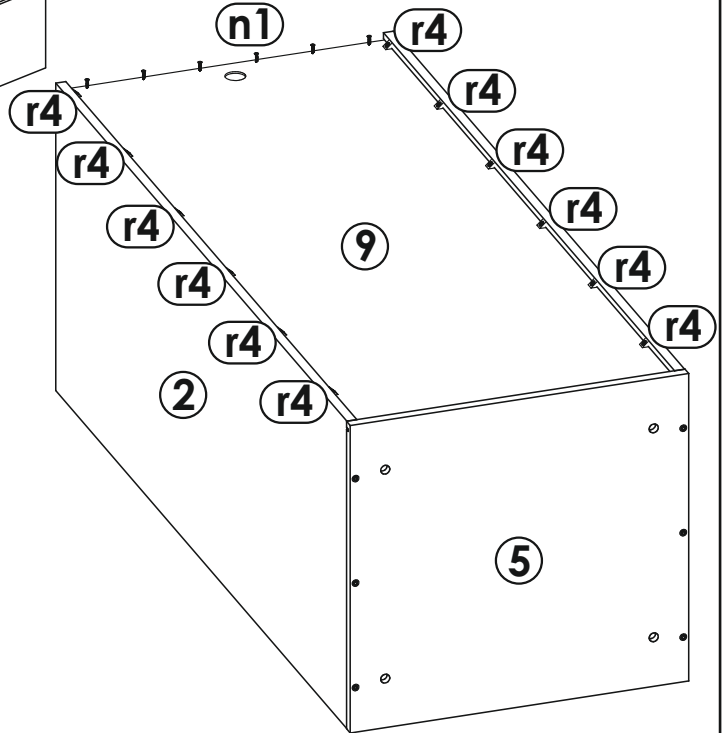
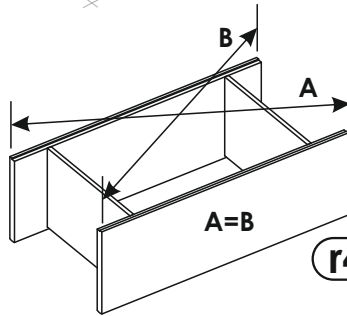
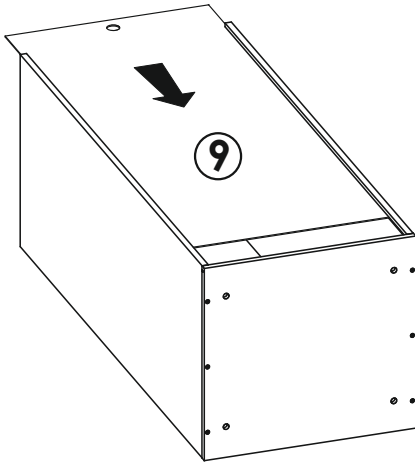
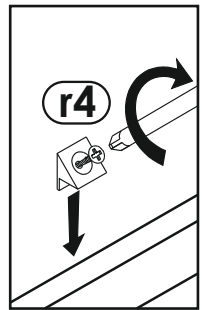
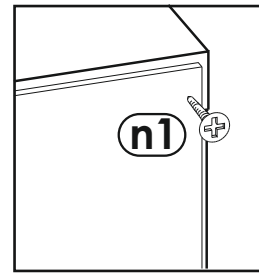
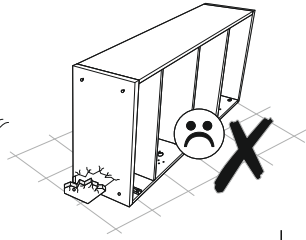
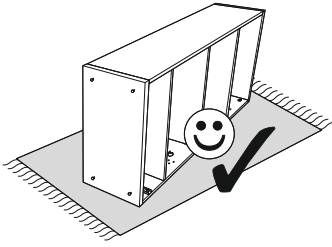
- |       |       |
|-------|-------|
| ① -C1 | ⑥ -C1 |
| ② -C1 | ⑦ -C1 |
| ③ -C1 | ⑧ -C1 |
| ④ -C1 | ⑨ -C1 |
| ⑤ -C1 |       |



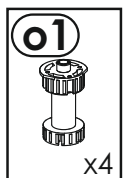
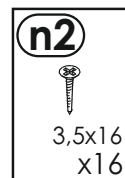
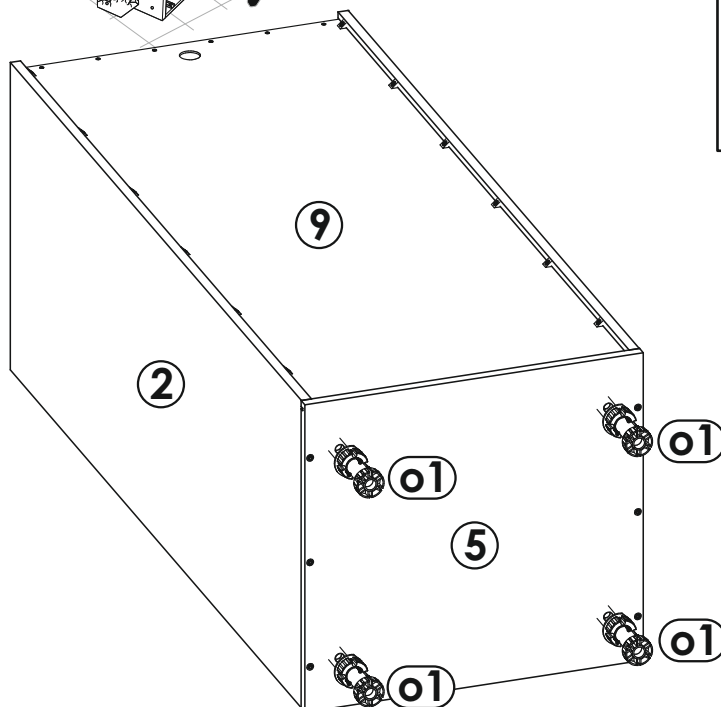
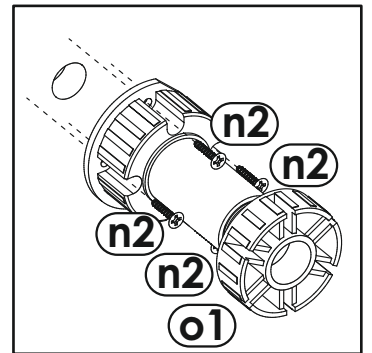
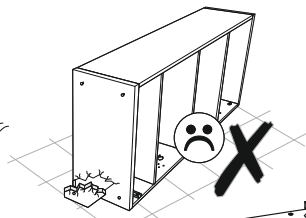
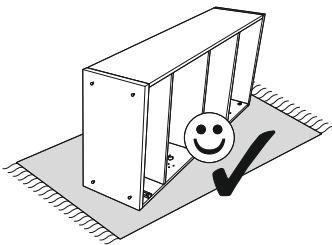




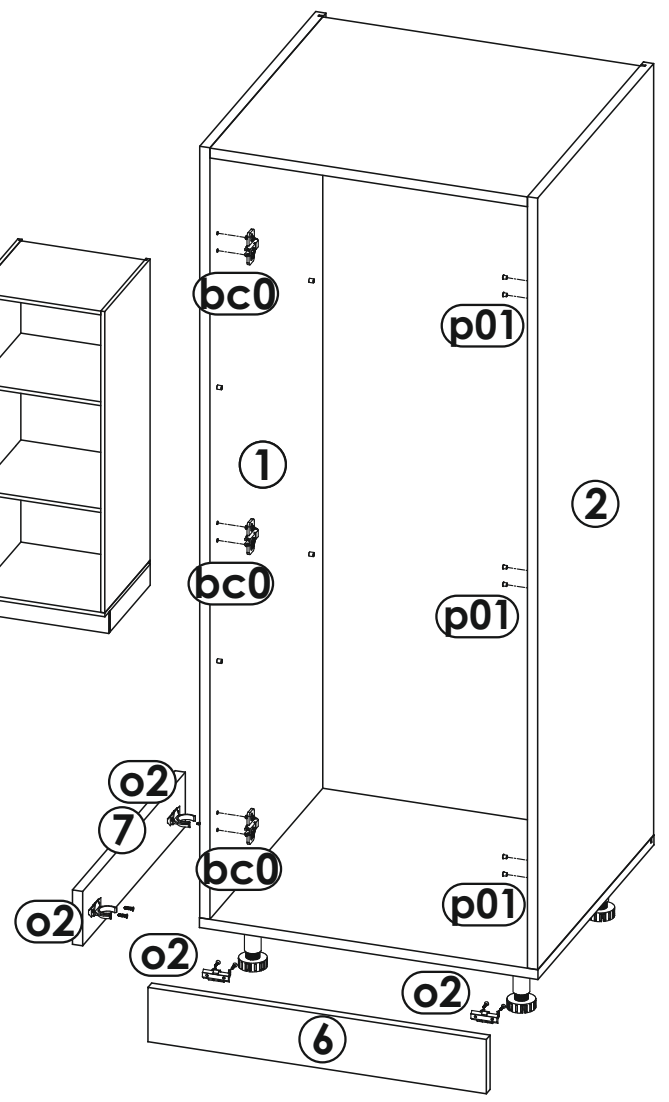
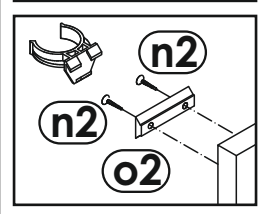
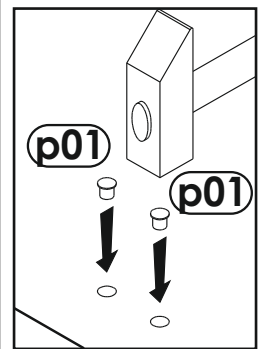
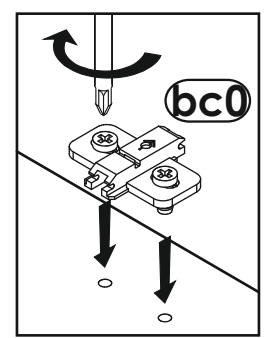
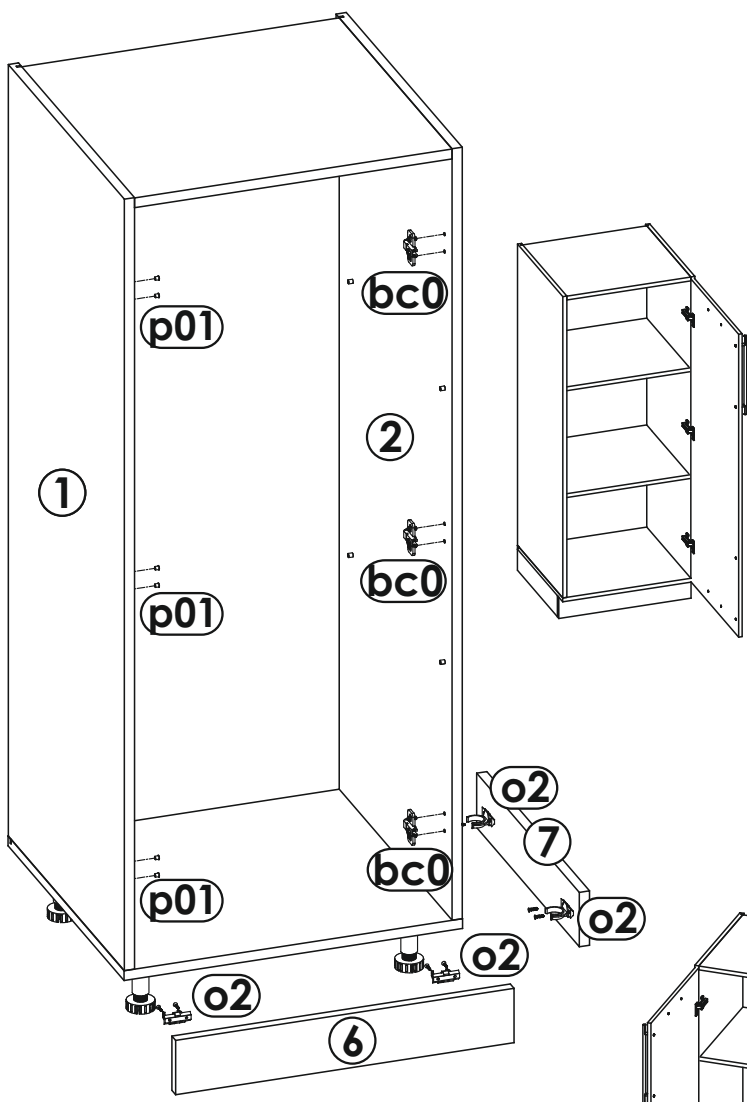
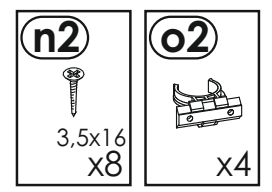
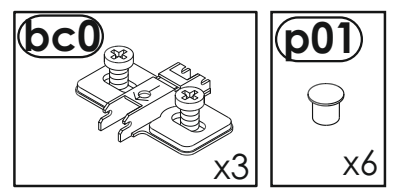
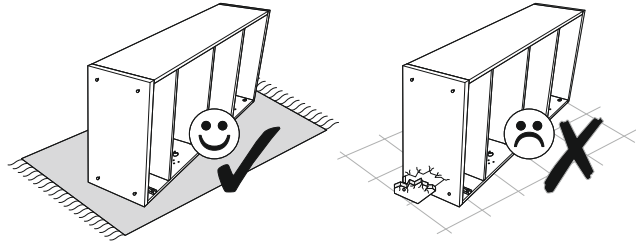
5



6



7



8

